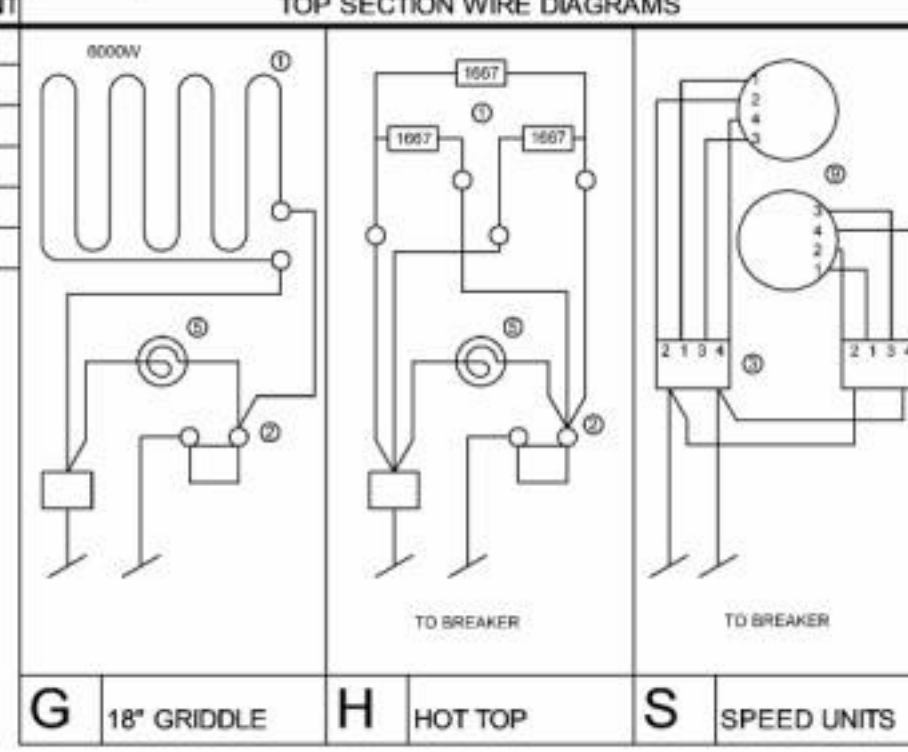


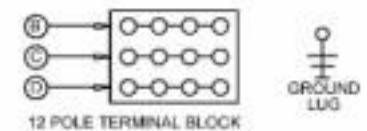
MODEL DESIGNATION	TOP ARRANGEMENT	
	SEC-1	SEC-2
CCR30-SS & CMR30-SS	S	S
CCR30-HS & CMR30-HS	H	S
CCR30-GS & CMR30-GS	G	S
CCR30-HH & CMR30-HH	H	H
CCR30-GH & CMR30-GH	G	H

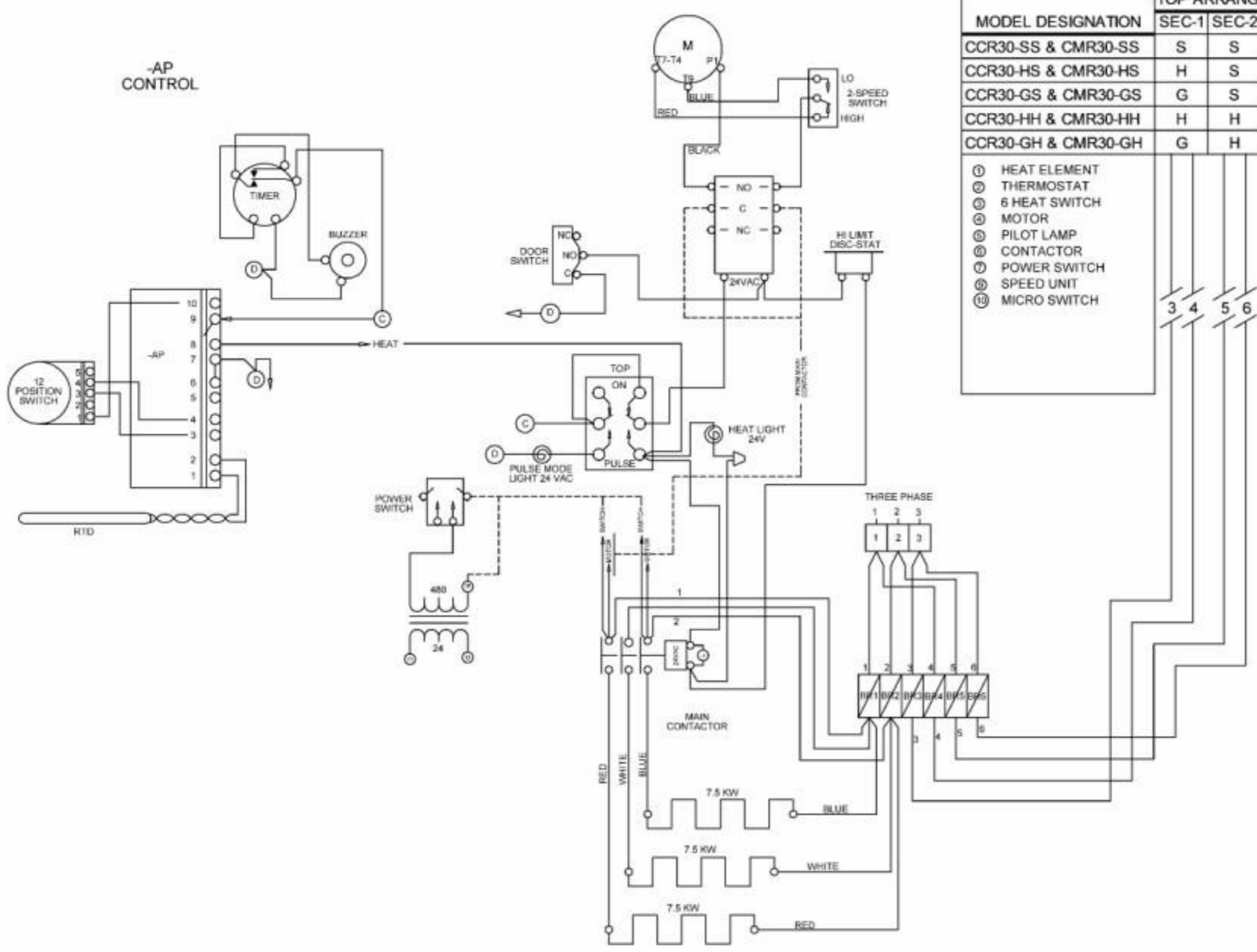
①	HEAT ELEMENT
②	THERMOSTAT
③	6 HEAT SWITCH
④	MOTOR
⑤	PILOT LAMP
⑥	CONTACTOR
⑦	POWER SWITCH
⑧	SPEED UNIT
⑩	MICRO SWITCH



IMPORTANT
 RANGE TOP WIRES MUST BE
 CONNECTED IN OVEN CONTROL
 AREA.

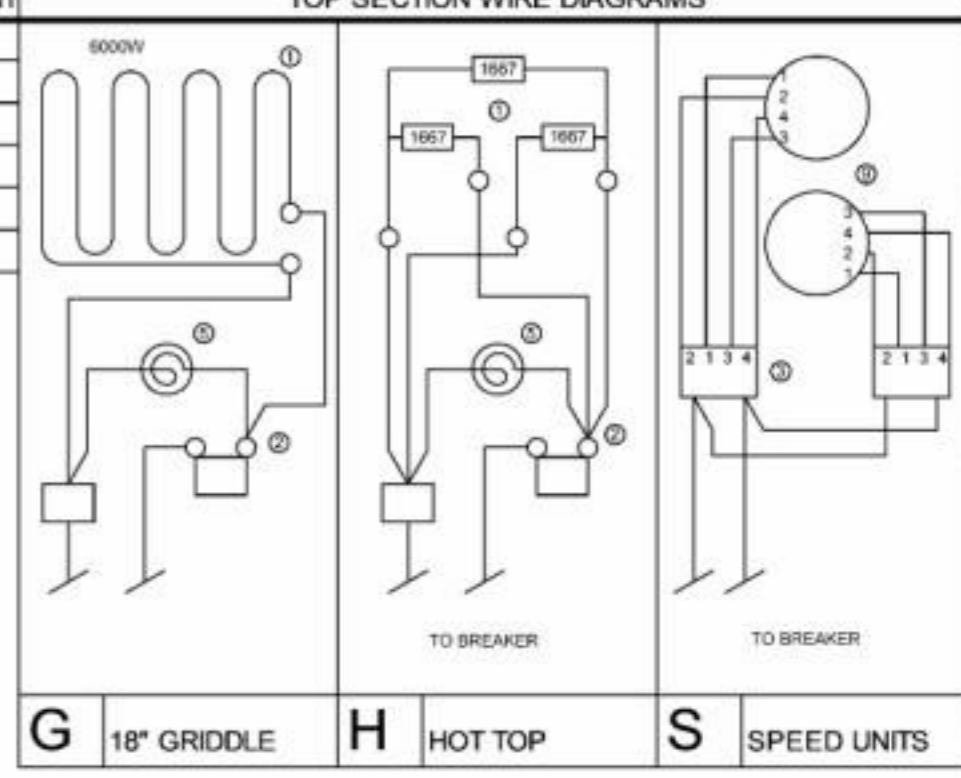
MODEL NUMBER	SINGLE PHASE		CONVECTION OVEN / RANGE ELEC DATA										
	KW	AMPS		THREE PHASE				AMPS					
		208V	240V	KW PER PHASE			TOTAL	208V			240V		
			L1-L2	L2-L3	L1-L3		L1	L	L3	L1	L2	L3	
***-SS	17.9	86	75	7.5	5.2	5.2	17.9	61	61	50	53	53	44
***-HS	17.7	85	74	7.5	5.2	5.0	17.7	60	61	49	52	53	43
***-GS	18.7	90	78	7.5	5.2	6.0	18.7	61	65	54	53	56	47
***-SG	18.7	90	78	7.5	6.0	5.2	18.7	65	61	54	56	53	47
***-HH	17.5	84	73	7.5	5.0	5.0	17.5	60	60	48	52	52	42
***-GH	18.5	89	77	7.5	5.0	6.0	18.5	65	60	53	56	52	46





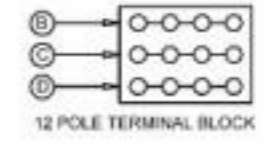
MODEL DESIGNATION	TOP ARRANGEMENT		
	SEC-1	SEC-2	
CCR30-SS & CMR30-SS	S	S	88
CCR30-HS & CMR30-HS	H	S	88
CCR30-GS & CMR30-GS	G	S	88
CCR30-HH & CMR30-HH	H	H	88
CCR30-GH & CMR30-GH	G	H	88

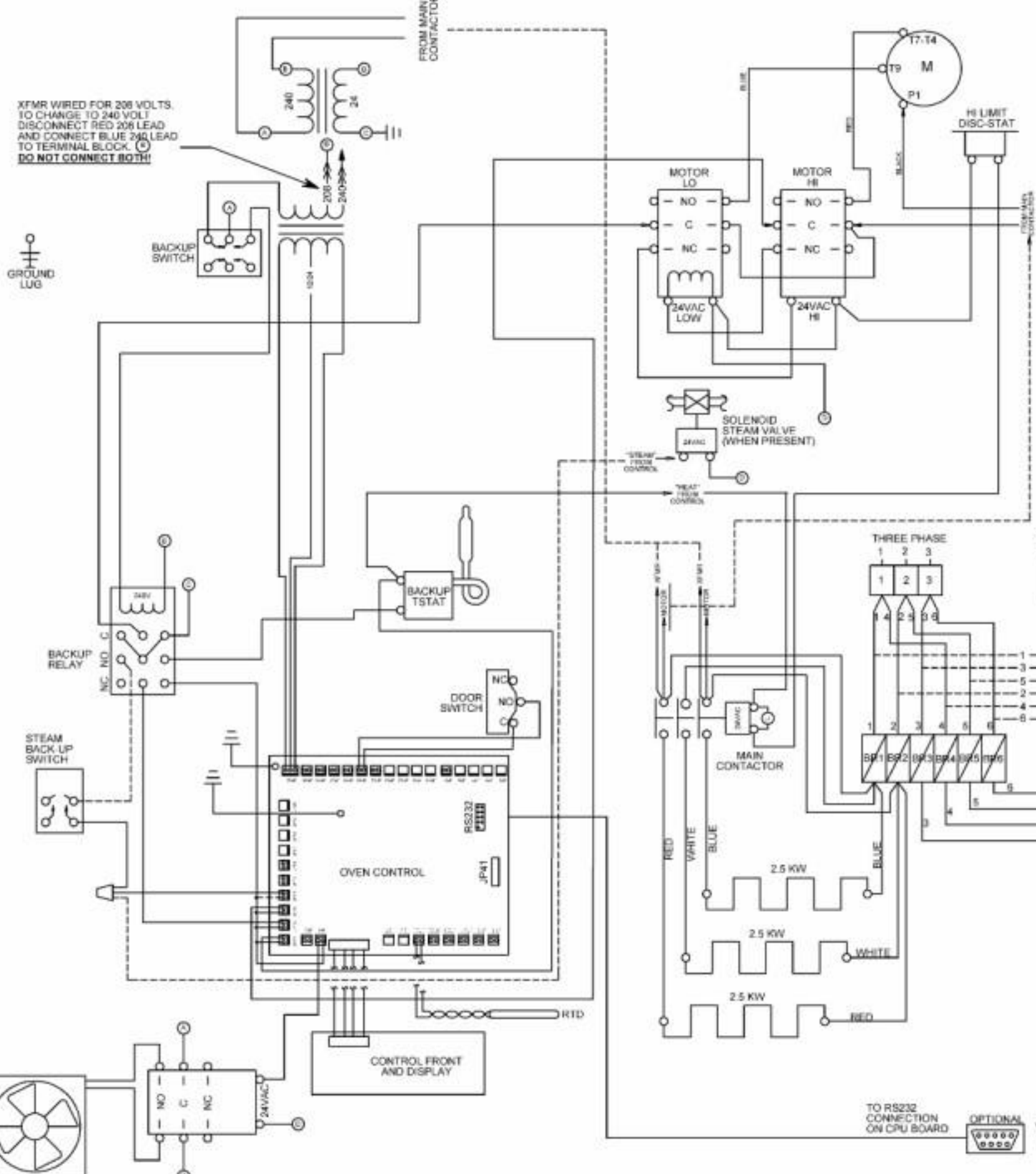
①	HEAT ELEMENT
②	THERMOSTAT
③	6 HEAT SWITCH
④	MOTOR
⑤	PILOT LAMP
⑥	CONTACTOR
⑦	POWER SWITCH
⑧	SPEED UNIT
⑩	MICRO SWITCH



IMPORTANT
RANGE TOP WIRES MUST BE CONNECTED IN OVEN CONTROL AREA.

MODEL NUMBER	CONVECTION OVEN/RANGE ELECTRICAL DATA						
	KW PER PHASE				AMPS		
	L1-L2	L2-L3	L1-L3	TOTAL	L1	L2	L3
***-SS	7.5	5.2	5.2	17.9	26	26	22
***-HS	7.5	5.2	5.0	17.7	26	26	21
***-GS	7.5	5.2	6.0	18.7	26	28	23
***-SG	7.5	6.0	5.2	16.5	28	26	23
***-HH	7.5	5.0	5.0	17.5	26	26	21
***-GH	7.5	5.0	6.0	18.5	28	26	23

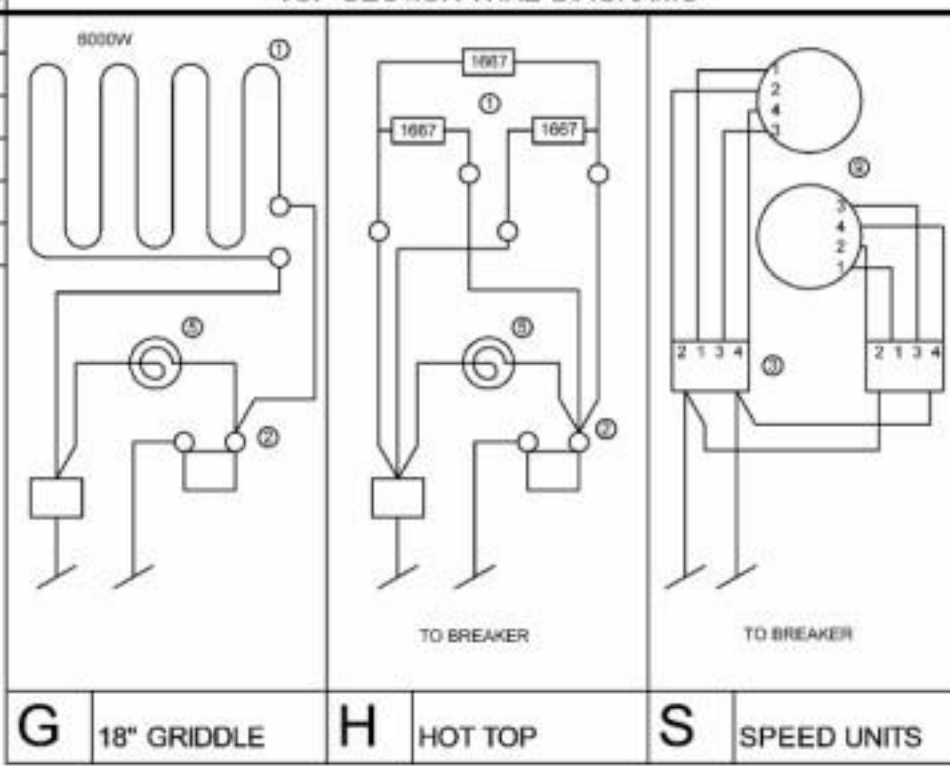




XFMR WIRED FOR 208 VOLTS. TO CHANGE TO 240 VOLT DISCONNECT RED 208 LEAD AND CONNECT BLUE 240 LEAD TO TERMINAL BLOCK. DO NOT CONNECT BOTH!

MODEL DESIGNATION	TOP ARRANGEMENT	
	SEC-1	SEC-2
CCR30-SS & CMR30-SS	S	S
CCR30-HS & CMR30-HS	H	S
CCR30-GS & CMR30-GS	G	S
CCR30-HH & CMR30-HH	H	H
CCR30-GH & CMR30-GH	G	H

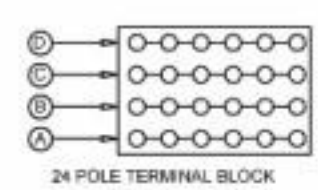
①	HEAT ELEMENT
②	THERMOSTAT
③	6 HEAT SWITCH
④	MOTOR
⑤	PILOT LAMP
⑥	CONTACTOR
⑦	POWER SWITCH
⑧	SPEED UNIT
⑩	MICRO SWITCH



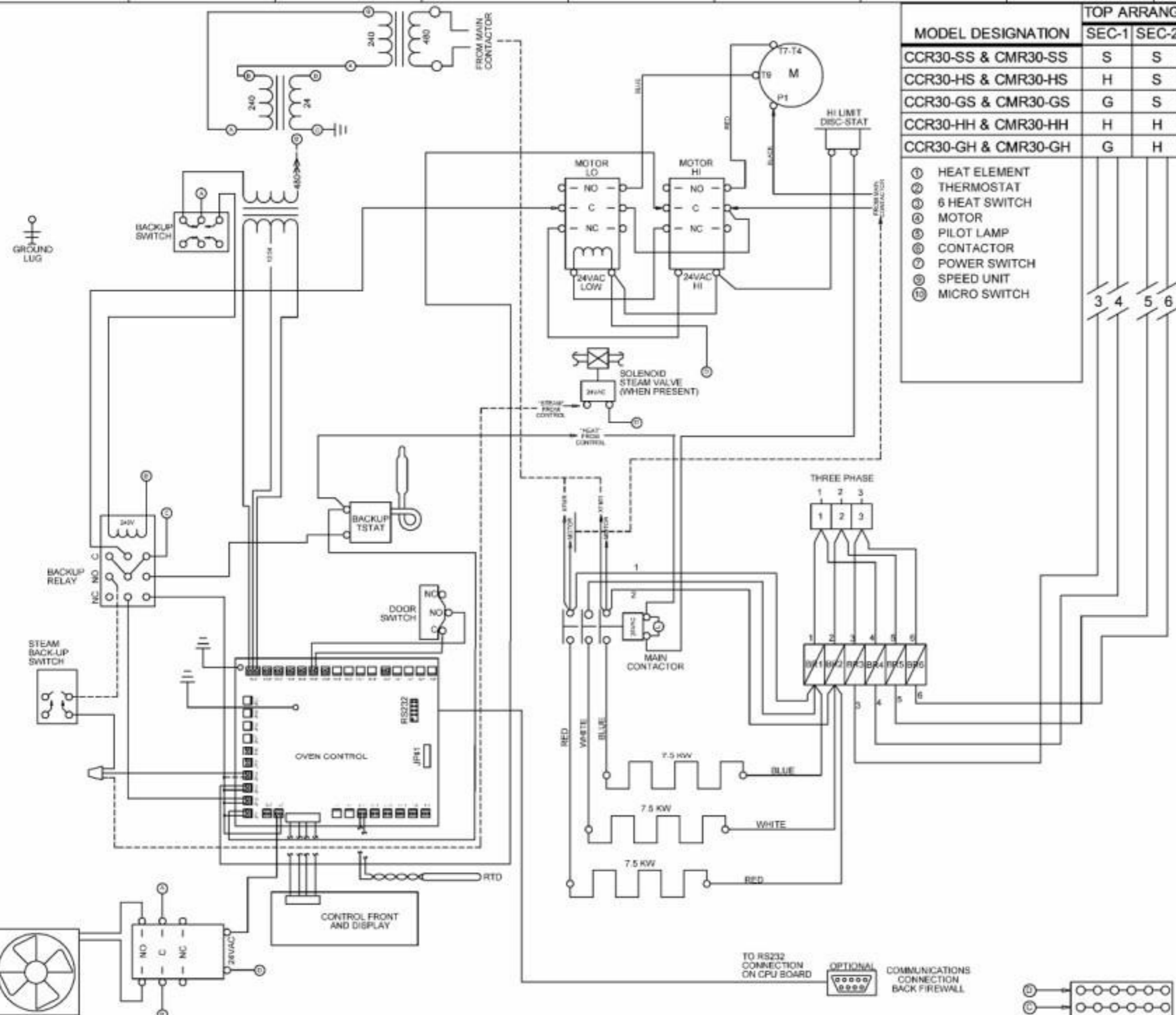
G 18" GRIDDLE **H** HOT TOP **S** SPEED UNITS

IMPORTANT
RANGE TOP WIRES MUST BE CONNECTED IN OVEN CONTROL AREA.

MODEL NUMBER	SINGLE PHASE		CONVECTION OVEN / RANGE ELEC DATA										
	KW	AMPS		THREE PHASE				AMPS					
		208V	240V	KW PER PHASE			208V			240V			
			L1-L2	L2-L3	L1-L3	TOTAL	L1	L	L3	L1	L2	L3	
***-SS	17.9	86	75	7.5	5.2	5.2	17.9	61	61	50	53	53	44
***-HS	17.7	85	74	7.5	5.2	5.0	17.7	60	61	49	52	53	43
***-GS	18.7	90	78	7.5	5.2	6.0	18.7	61	65	54	53	56	47
***-SG	18.7	90	78	7.5	6.0	5.2	18.7	65	61	54	56	53	47
***-HH	17.5	84	73	7.5	5.0	5.0	17.5	60	60	48	52	52	42
***-GH	18.5	89	77	7.5	5.0	6.0	18.5	65	60	53	56	52	46

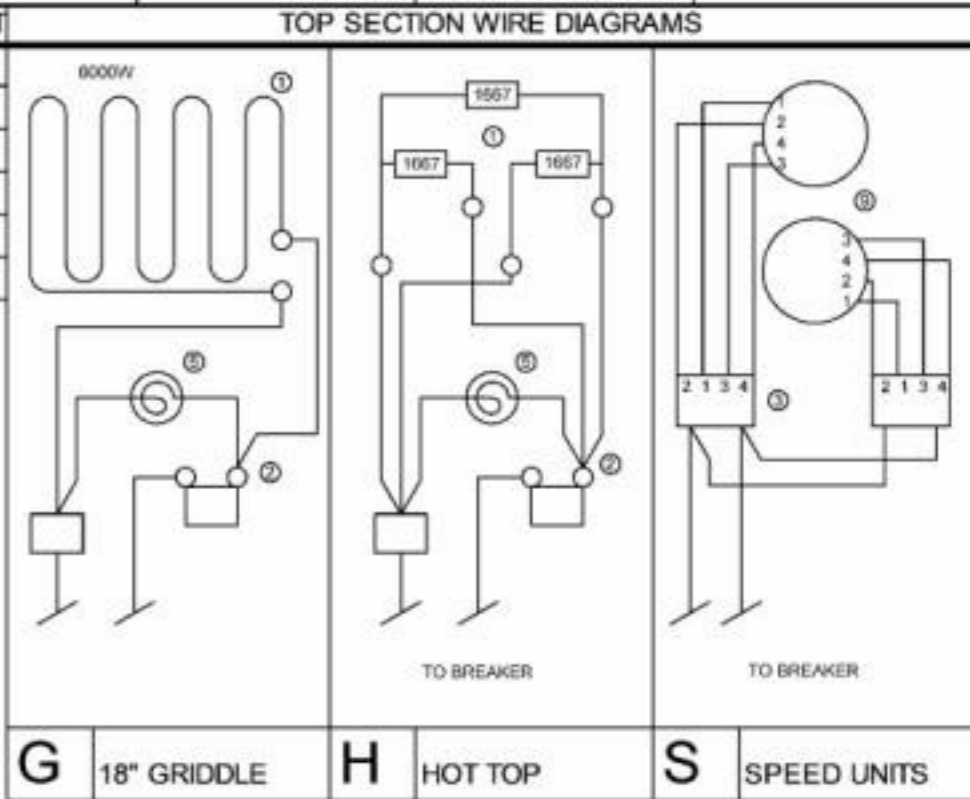


- JP11=HEAT
- JP12=HI SP MOTOR
- JP13=LO SP MOTOR
- JP14=OPT STEAM
- JP21=RTD
- JP35=DOOR SW
- JP37=ON-OFF
- GP3=CHASSIS GROUND
- GP4=CHASSIS GROUND
- JP41=RS232 CONNECTOR



MODEL DESIGNATION	TOP ARRANGEMENT		
	SEC-1	SEC-2	
CCR30-SS & CMR30-SS	S	S	8 8
CCR30-HS & CMR30-HS	H	S	8 8
CCR30-GS & CMR30-GS	G	S	8 8
CCR30-HH & CMR30-HH	H	H	8 8
CCR30-GH & CMR30-GH	G	H	8 8

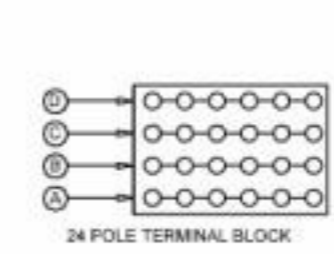
- ① HEAT ELEMENT
- ② THERMOSTAT
- ③ 6 HEAT SWITCH
- ④ MOTOR
- ⑤ PILOT LAMP
- ⑥ CONTACTOR
- ⑦ POWER SWITCH
- ⑧ SPEED UNIT
- ⑨ MICRO SWITCH



G 18" GRIDDLE **H** HOT TOP **S** SPEED UNITS

IMPORTANT
RANGE TOP WIRES MUST BE CONNECTED IN OVEN CONTROL AREA.

MODEL NUMBER	KW PER PHASE			TOTAL	AMPS		
	L1-L2	L2-L3	L1-L3		L1	L2	L3
***-SS	7.5	5.2	5.2	17.9	26	26	22
***-HS	7.5	5.2	5.0	17.7	26	26	21
***-GS	7.5	5.2	6.0	18.7	26	28	23
***-SG	7.5	6.0	5.2	16.5	28	26	23
***-HH	7.5	5.0	5.0	17.5	26	26	21
***-GH	7.5	5.0	6.0	18.5	28	26	23



- JP11=HEAT
- JP12=HI SP MOTOR
- JP13=LO SP MOTOR
- JP14=OPT STEAM
- JP21=RTD
- JP35=DOOR SW
- JP37=ON-OFF
- GP3=CHASSIS GROUND
- GP4=CHASSIS GROUND
- JP41=RS232 CONNECTOR