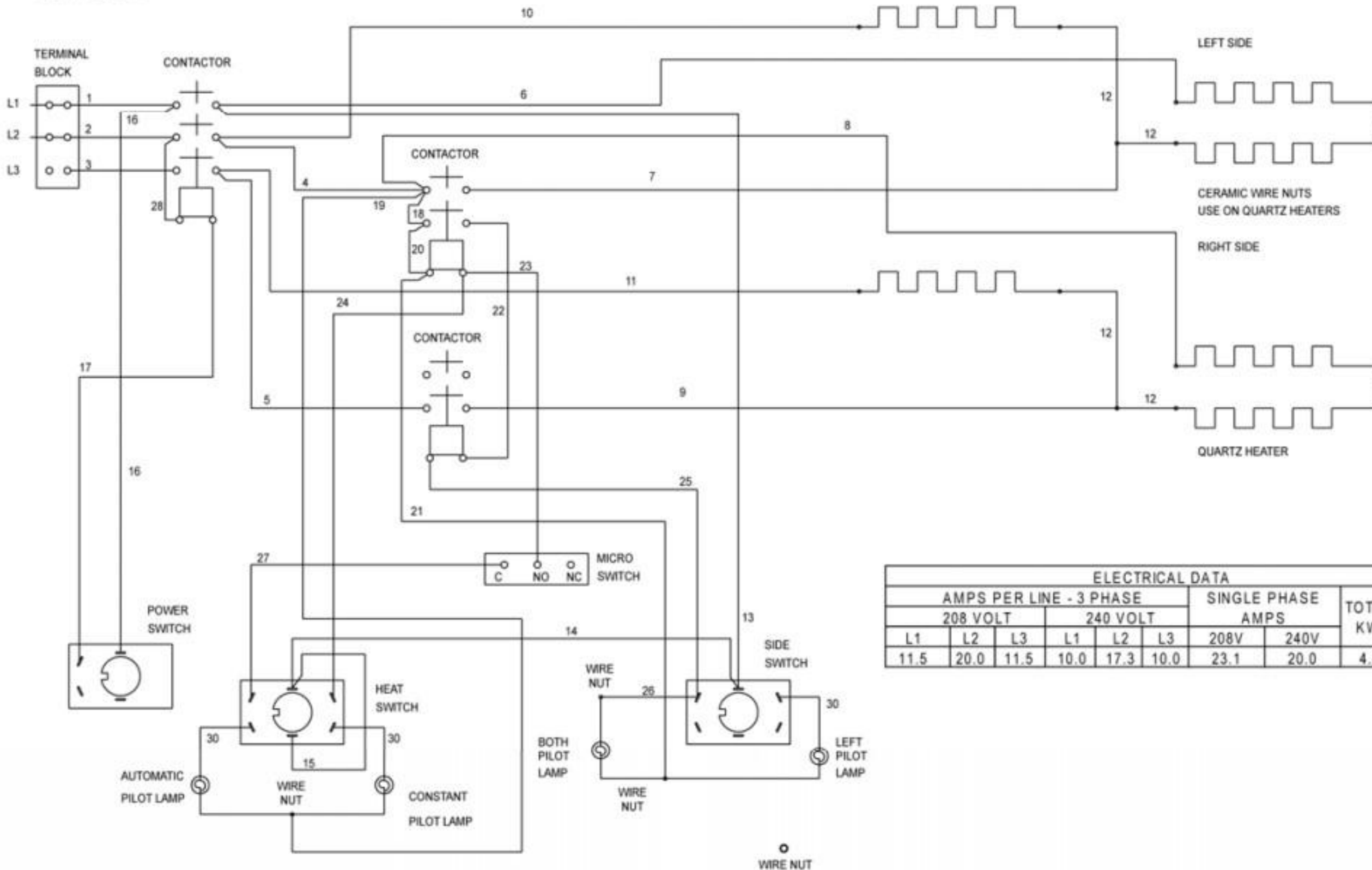


ELECTRICAL DATA			
MODEL	KW	AMPERES	
		208V	240V
MM24	2.4	11.5	10.0
MM36	3.6	17.3	15.0

USE ON D SERIES NO.

TO SINGLE PHASE
MOVE WIRE 3 TO L1



ELECTRICAL DATA								
AMPS PER LINE - 3 PHASE						SINGLE PHASE		TOTAL KW
208 VOLT			240 VOLT			AMPS		
L1	L2	L3	L1	L2	L3	208V	240V	
11.5	20.0	11.5	10.0	17.3	10.0	23.1	20.0	4.8