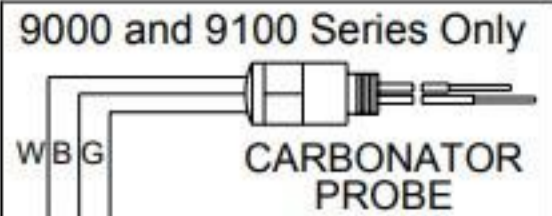
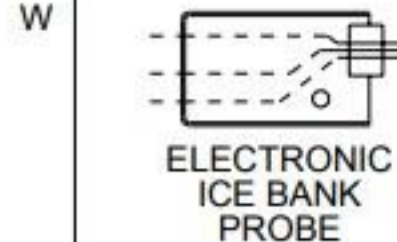
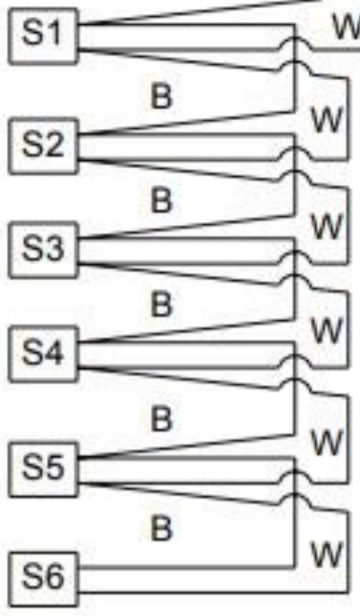


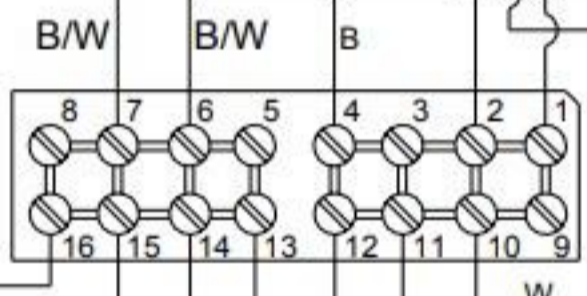
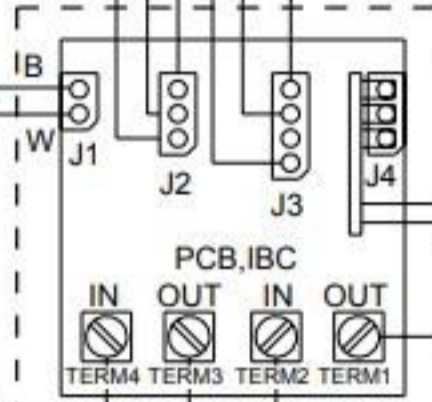
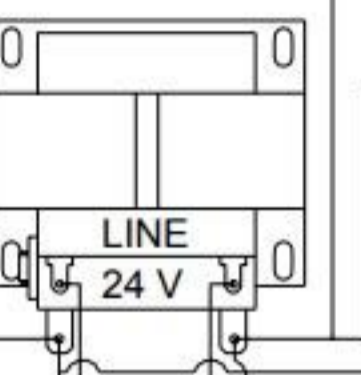
9000 and 9500 Series Only

KEY SWITCH

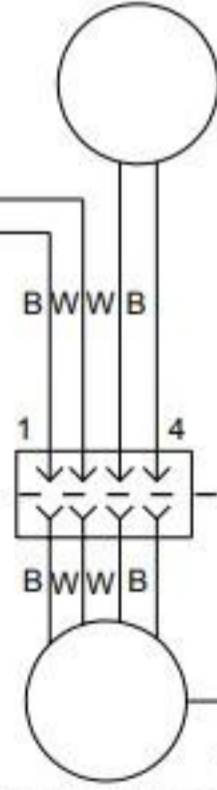
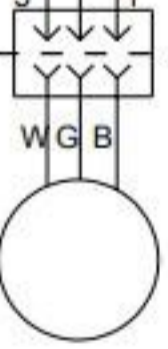
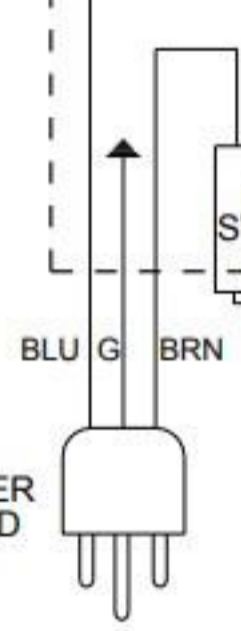
VALVES
(5, OR 6)



TO PLAIN WATER VALVE
(FIELD INSTALLED OPTION)



9000 and 9100 Series Only



RECIRCULATING MOTOR
9100 SERIES ONLY

DELTA

SYM.	DESCRIPTION
	CHASSIS GROUND
	CHAMFER PIN
	OPTIONAL WATER BOOST PCB, IBC J4
---	CONTROL BOX

LANCER

LABEL, WIRING DIAGRAM
06-2221