



Pre-Rinse Unit

Installation Manual

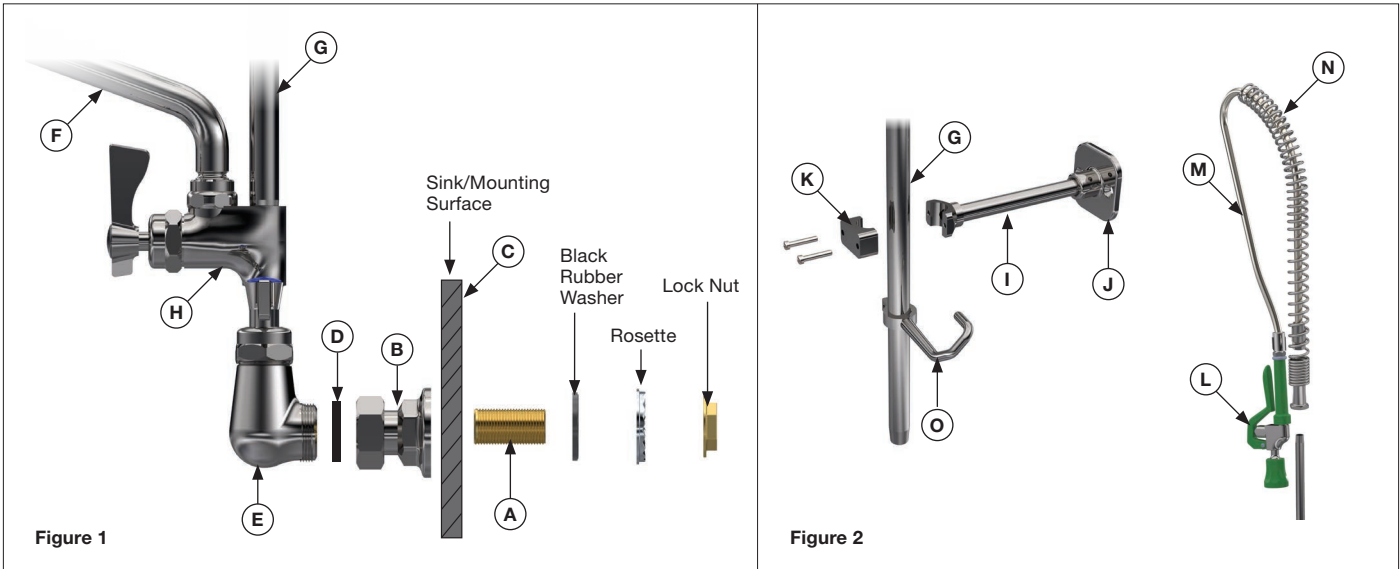


WARNING: Plumbing connections should be made by qualified personnel who will observe all applicable plumbing, sanitary and safety codes.

8" Center Wall Mount Pre-Rinse

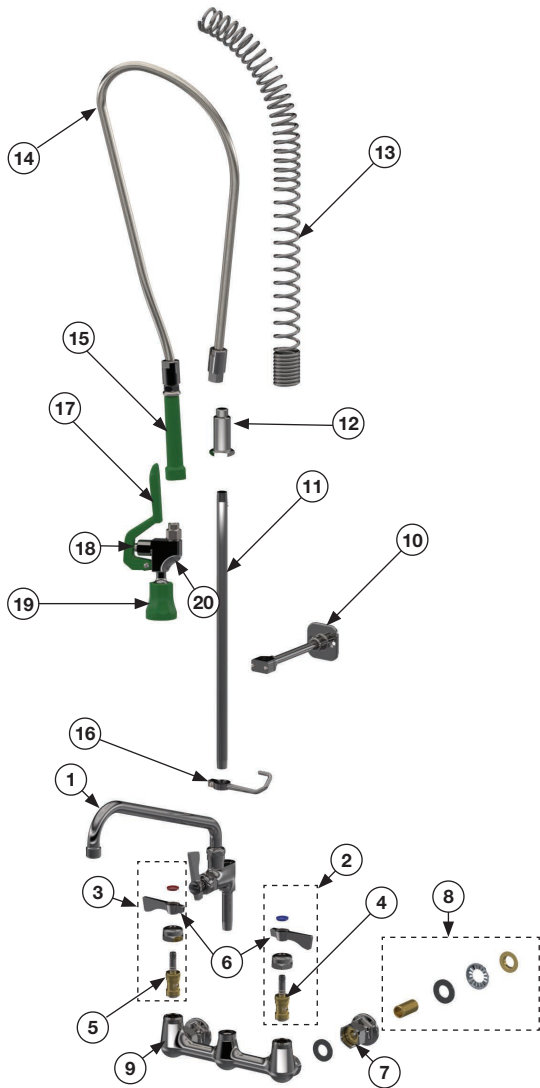
Models: 17-108WL, 17-109WL, 17-109-X, 18-706L, 18-708L, 18-725L

Note: For easy installation, we highly recommend using our E-Z Install Flexible Water Lines (Model 21-443L). They include 1/2" NPT close elbows with swivel compression fittings on the faucet side and 3/8" compression fittings on the water supply side. No thread sealant tape or soldering required.



Installation Instructions

- Turn off water supply at main source before proceeding with installation.
- Remove the two 1/2" threaded nipples (A) from the wall mount kit inside the box.
- Apply thread sealant tape or pipe joint compound to one side of each of the two threaded nipples (you will apply to the other side after step #4 is completed).
- Install the threaded nipples with the sealant into the two 1/2" female threaded coupling flanges (B) and tighten properly. It is important to know that the coupling flanges have eccentric centers. This means that if the holes for the threaded nipples are not exactly 8" on center, it allows you to adjust the center distance.
- From the front of the sink, insert the threaded nipples into the faucet holes in the wall (C). Make sure the coupling flanges are turned so the brass nipples are at the 12 o'clock position. This is necessary to make sure the faucet is level.
- Apply thread sealant tape or pipe joint compound to the other side of each of the two threaded nipples.
- From the back of the sink, place the black rubber washer, rosette, and lock nut onto the threaded nipples and tighten with a wrench.
- From the front of the sink, insert the rubber washers (D) into the coupling flanges (B).
- Install the faucet body (E) onto the coupling flanges and tighten properly with a wrench. If the faucet does not fit on the coupling flanges, they will need to be rotated to fit the faucet as per step 4 above.
- From the back of the sink install the water supply lines and tighten properly.
- To assemble the pre-rinse with the add-on faucet, remove the riser pipe (G) and add-on faucet assembly (H) from the box. Thread onto the faucet body and tighten.
- Determine the correct length of the support rod (I) from the wall to the riser pipe (G). Cut the support rod to size (Figure 2).
- Determine the position on the wall for the wall bracket brace (J), making sure it is near the top of the riser pipe (G).
- Install the wall bracket brace on the wall with the included screws. Press the end of the support rod into the bracket. Use allen wrench to tighten set screw in place.
- Install the head of the support rod (K) around the riser with the two supplied screws.
- The pre-rinse spray head (L), hose (M), and spring (N) have been assembled at the factory to save time.
- Install the complete assembly onto the top of the riser pipe, making sure you use the small black washer supplied in the cardboard cylinder in the packaging. Tighten appropriately.
- Loosen the spray head hook (O) and center it on the riser pipe. Tighten when it is in place.
- Install faucet spout (F) onto add-on faucet body (H) (Figure 1).



8" Center Wall Mount Pre-Rinse Replacement Parts

No.	Model	Description
1	21-138L	Add-On Faucet with 6" Spout
-	21-149L	Add-On Faucet with 8" Spout
-	21-139L	Add-On Faucet with 12" Spout
-	21-140L	Add-On Faucet with 14" Spout
-	21-141L	Add-On Faucet with 16" Spout
2	21-308L	Cold 1/4 Turn Ceramic Cartridge Valve
3	21-309L	Hot 1/4 Turn Ceramic Cartridge Valve
4	21-333L	Cold 1/4 Turn Ceramic Cartridge Valve, Less Handle
5	21-334L	Hot 1/4 Turn Ceramic Cartridge Valve, Less Handle
6	21-306	Lever Handle Kit
7	21-401L	Coupling Flanges
8	21-194L	Wall Mounting Kit
9	21-108L	8" Center Wall Mount Pre-Rinse Base
10	21-137	Wall Bracket
11	21-168	Riser (12" Long, 3/8" male thread)
-	21-160L	Riser (18" Long, 3/8" male thread)
-	21-160-24L	Riser (24"L, 3/8" male thread)
12	21-161L	Spring Retainer
13	21-162	24" Spring
14	21-133L	44" Pre-Rinse Hose with Grip
-	21-134L	60" Pre-Rinse Hose with Grip
-	21-135L	72" Pre-Rinse Hose with Grip
-	21-136L	96" Pre-Rinse Hose with Grip
15	21-164L	Grip (1/2" NPS Male)
16	21-165	Hook/Screw Assembly
17	21-171	Spray Head Handle
18	21-302L	Button Valve
19	21-179L	Spray Head Repair Kit - New Style (2007 to present)
20	21-129L	1.15 GPM Spray Head



8" Center Wall Mount Pre-Rinse Accessories

No.	Model	Description
1	21-127L	0.65 GPM Spray Head
2	21-130L	Shower Pattern Spray Head
3	21-131L	Angled Pre-Rinse Spray Head
4	21-132L	Pot Filer Spray Head
5	21-170	Ring (Optional)
6	21-311	Wrist Blade Handle Kit
7	21-443L	E-Z Install Flexible Water Line Kit
8	21-547L	Swivel Pre-Rinse Hose Connector
9	25-150	Thread Sealant Tape

WARNING: Plumbing connections should be made by qualified personnel who will observe all applicable plumbing, sanitary and safety codes.

Single Hole Deck Mount Pre-Rinse

Models: 17-202WL, 18-506L, 18-508L

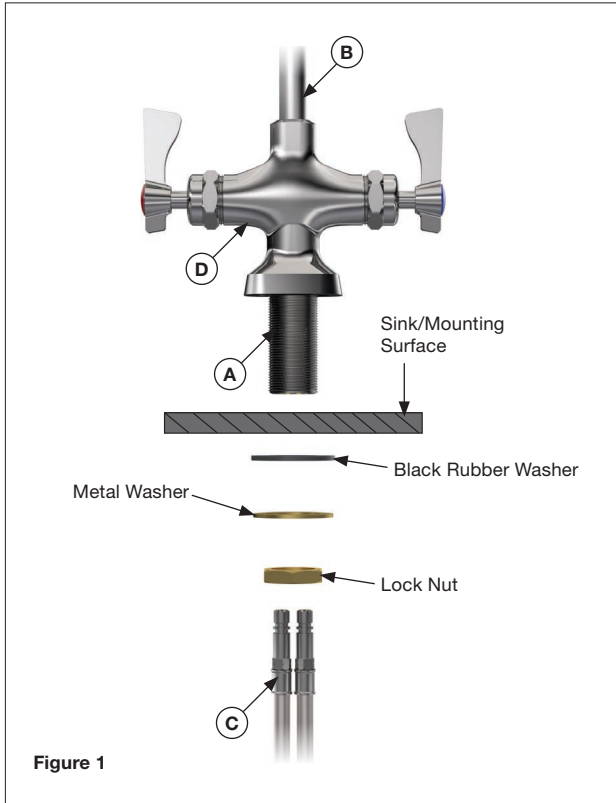


Figure 1

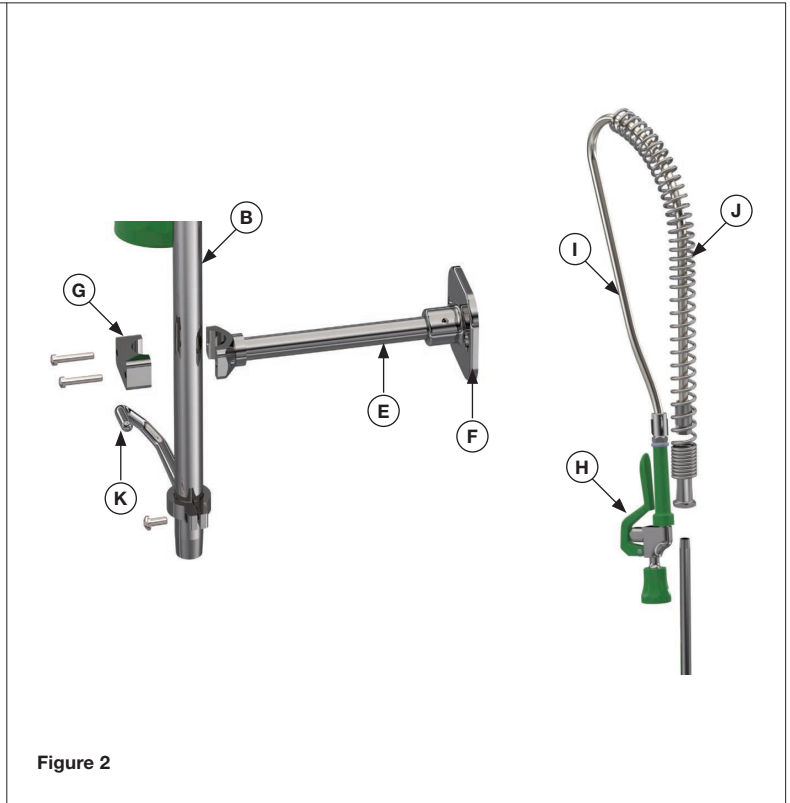
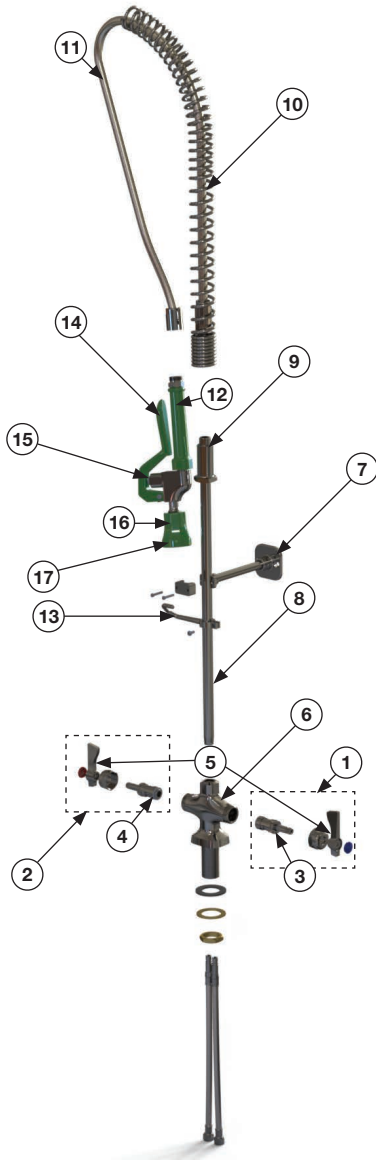


Figure 2

Installation Instructions

1. Turn off water supply at main source before proceeding with installation.
2. From the top of the sink, insert the threaded nipple (A) into the faucet hole in the sink.
3. From the bottom of the sink, place the included black rubber washer, metal washer, and locknut onto the threaded nipple and tighten with a wrench.
4. The water supply lines (C) have been installed at the factory for ease of installation.
5. To assemble the pre-rinse, remove the riser pipe (B). Thread onto the faucet body (D) and tighten.
6. Determine the correct length of the support rod (E) from the wall to the riser pipe (B). Cut the support rod to size (Figure 2).
7. Determine the position on the wall for the wall bracket brace (F), making sure it is near the top of the riser pipe (B).
8. Install the wall bracket brace (F) on the wall with the included screws. Press the end of the support rod (E) into the bracket. Tighten set screw to secure it in place.
9. Install the head of the support rod (G) around the riser pipe with the two supplied screws.
10. The pre-rinse spray head (H), hose (I), and spring (J) have been assembled at the factory.
11. Install the complete assembly onto the top of the riser pipe, making sure you use the small black washer supplied in the cardboard cylinder in the packaging. Tighten appropriately.
12. Loosen the spray head hook (K) and center it on the riser pipe. Tighten when it is in place.
13. From the bottom of the sink, attach the pre-installed water lines (C) to the main water supply.



Single Hole Deck Mount Pre-Rinse Replacement Parts

No.	Model	Description
1	21-308L	Cold 1/4 Turn Ceramic Cartridge Valve
2	21-309L	Hot 1/4 Turn Ceramic Cartridge Valve
3	21-333L	Cold 1/4 Turn Ceramic Cartridge Valve, Less Handle
4	21-334L	Hot 1/4 Turn Ceramic Cartridge Valve, Less Handle
5	21-306	Lever Handle Kit
6	21-202L	Single Hole Deck Base
7	21-137	Wall Bracket
8	21-168	Riser (12" Long, 3/8" male thread)
-	21-160L	Riser (18" Long, 3/8" male thread)
-	21-160-24L	Riser (24" Long, 3/8" male thread)
9	21-161L	Spring Retainer
10	21-162	24" Spring
11	21-133L	44" Pre-Rinse Hose with Grip
-	21-134L	60" Pre-Rinse Hose with Grip
-	21-135L	72" Pre-Rinse Hose with Grip
-	21-136L	96" Pre-Rinse Hose with Grip
12	21-164L	Grip (1/2" NPS Male)
13	21-165	Hook/Screw Assembly
14	21-171	Spray Head Handle
15	21-302L	Button Valve
16	21-179L	Spray Head Repair Kit - New Style (2007 to present)
17	21-129L	1.15 GPM Spray Head



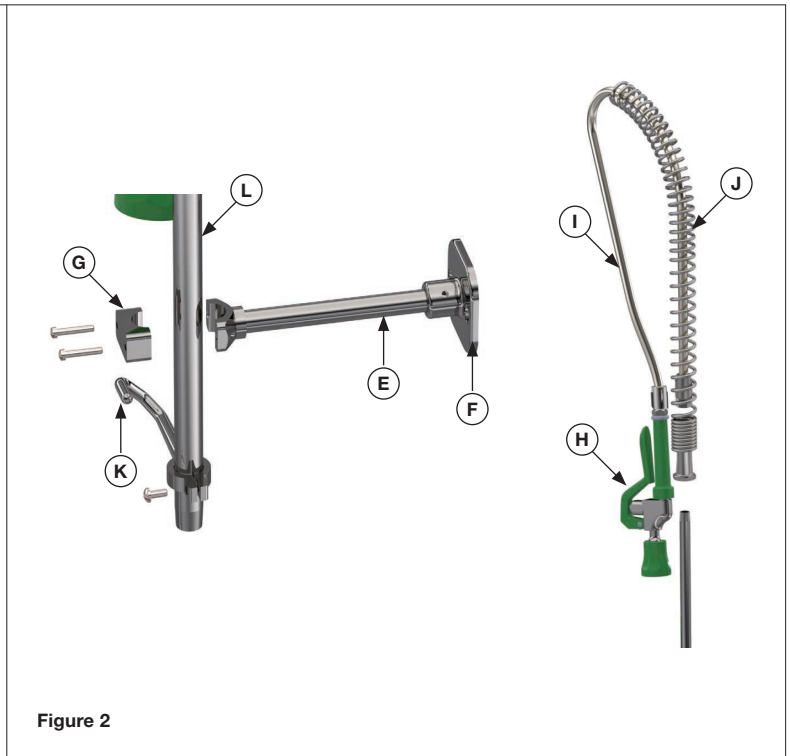
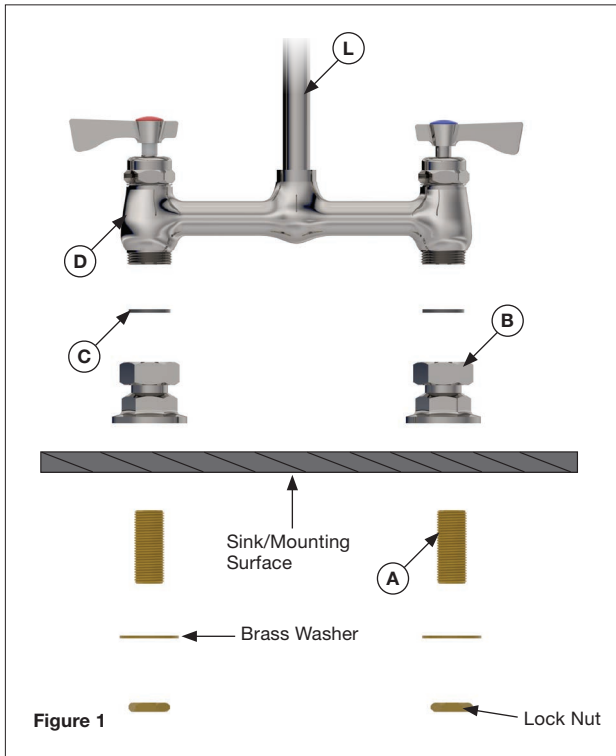
Single Hole Deck Mount Pre-Rinse Accessories

No.	Model	Description
1	21-127L	0.65 GPM Spray Head
2	21-130L	Shower Pattern Spray Head
3	21-131L	Angled Pre-Rinse Spray Head
4	21-132L	Pot Filer Spray Head
5	21-170	Ring (Optional)
6	21-311	Wrist Blade Handle Kit
7	21-198L	1/2" x 3/8" Braided Supply Hoses
8	21-547L	Swivel Pre-Rinse Hose Connector
9	25-150	Thread Sealant Tape

WARNING: Plumbing connections should be made by qualified personnel who will observe all applicable plumbing, sanitary and safety codes.

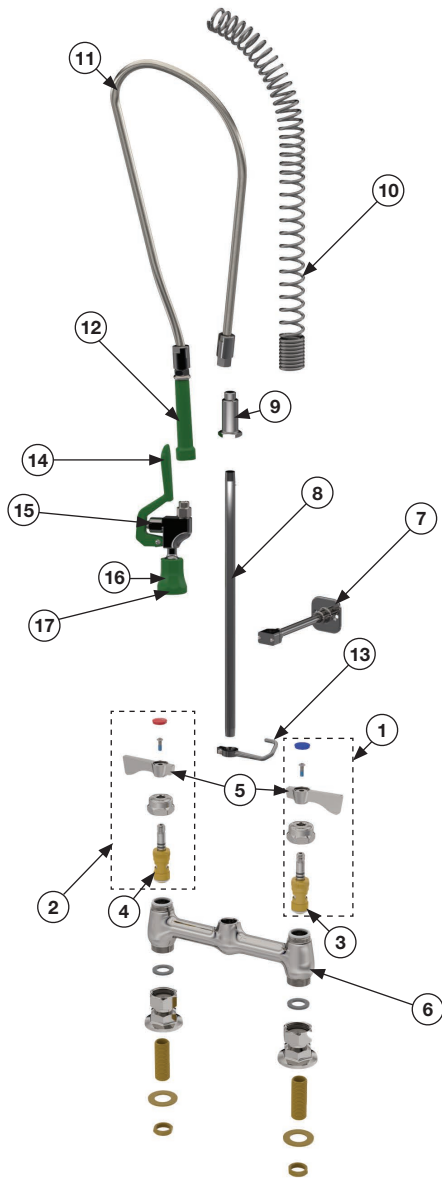
Raised Deck Mount Pre-Rinse

Models: 17-204WL, 17-208WL, 18-406L, 18-408L, 18-606L, 18-608L



Installation Instructions

1. Turn off water supply at main source before proceeding with installation.
2. Apply thread sealant tape or pipe joint compound to one side of each of the two 1/2" threaded nipples (A) (you will apply to the other side after step #4 is completed).
3. Install the sealant-applied side of the threaded nipples into the two 1/2" female threaded coupling flanges (B) and tighten properly. Note that the coupling flanges have eccentric centers, meaning if the holes in the mounting surface are not exactly 4" or 8" on center, you can slightly adjust the center distance.
4. From the front of the sink, insert the threaded nipples into the faucet holes in the sink. Make sure the coupling flanges are turned so the brass nipples are at the 12 o'clock position. This is necessary to make sure the faucet is level.
5. Apply thread sealant tape or pipe joint compound to the other side of each of the two threaded nipples (A).
6. From the back of the sink, place the brass washer and lock nut from the included mounting kit onto the threaded nipples and tighten with a wrench.
7. From the front of the sink, insert the rubber washers (C) into the coupling flanges (B).
8. Install the faucet body (D) onto the coupling flanges and tighten properly with a wrench. If the faucet does not fit on the coupling flanges, they will need to be rotated to fit the faucet as per step 4 above.
9. Determine the correct length of the support rod (E) from the wall to the riser pipe (L). Cut the support rod to size (Figure 2).
10. Determine the position on the wall for the wall bracket brace (F), making sure it is near the top of the riser pipe (L).
11. Install the wall bracket brace (F) on the wall with the included screws. Press the end of the support rod (E) into the bracket. Tighten set screw to secure it in place.
12. Install the head of the support rod (G) around the riser pipe with the two supplied screws.
13. The pre-rinse spray head (H), hose (I), and spring (J) have been assembled at the factory.
14. Install the complete assembly onto the top of the riser pipe (L), making sure you use the small black washer supplied in the cardboard cylinder in the packaging. Tighten appropriately.
15. Loosen the spray head hook (K) and center it on the riser pipe (L). Tighten when it is in place.
16. From the back of the sink, install the water supply lines and tighten properly.



Raised Deck Mount Pre-Rinse Replacement Parts

No.	Model	Description
1	21-308L	Cold 1/4 Turn Ceramic Cartridge Valve
2	21-309L	Hot 1/4 Turn Ceramic Cartridge Valve
3	21-333L	Cold 1/4 Turn Ceramic Cartridge Valve, Less Handle
4	21-334L	Hot 1/4 Turn Ceramic Cartridge Valve, Less Handle
5	21-306	Lever Handle Kit
6	21-208L	8" Center Deck Base
-	21-204L	4" Center Deck Base
7	21-137	Wall Bracket
8	21-168	Riser (12" Long, 3/8" male thread)
8	21-160L	Riser (18" Long, 3/8" male thread)
8	21-160-24L	Riser (24" Long, 3/8" male thread)
9	21-161L	Spring Retainer
10	21-162	24" Spring
11	21-133L	44" Pre-Rinse Hose with Grip
-	21-134L	60" Pre-Rinse Hose with Grip
-	21-135L	72" Pre-Rinse Hose with Grip
-	21-136L	96" Pre-Rinse Hose with Grip
12	21-164L	Grip (1/2" NPS Male)
13	21-165	Hook/Screw Assembly
14	21-171	Spray Head Handle
15	21-302L	Button Valve
16	21-179L	Spray Head Repair Kit - New Style (2007 to present)
17	21-129L	1.15 GPM Spray Head



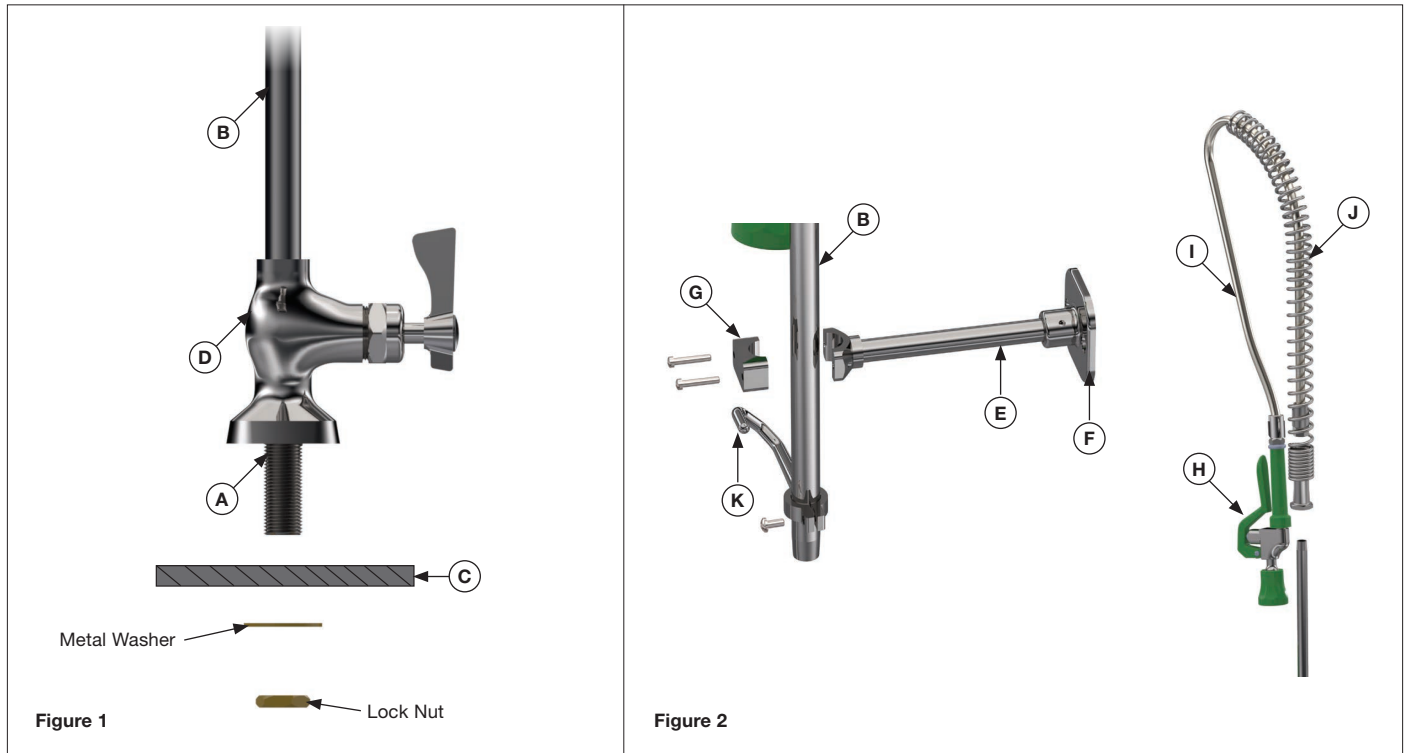
Raised Deck Mount Pre-Rinse Accessories

No.	Model	Description
1	21-127L	0.65 GPM Spray Head
2	21-130L	Shower Pattern Spray Head
3	21-131L	Angled Pre-Rinse Spray Head
4	21-132L	Pot Filler Spray Head
5	21-170	Ring (Optional)
6	21-311	Wrist Blade Handle Kit
7	21-198L	1/2" x 3/8" Braided Supply Hoses
8	21-547L	Swivel Pre-Rinse Hose Connector
9	25-150	Thread Sealant Tape

WARNING: Plumbing connections should be made by qualified personnel who will observe all applicable plumbing, sanitary and safety codes.

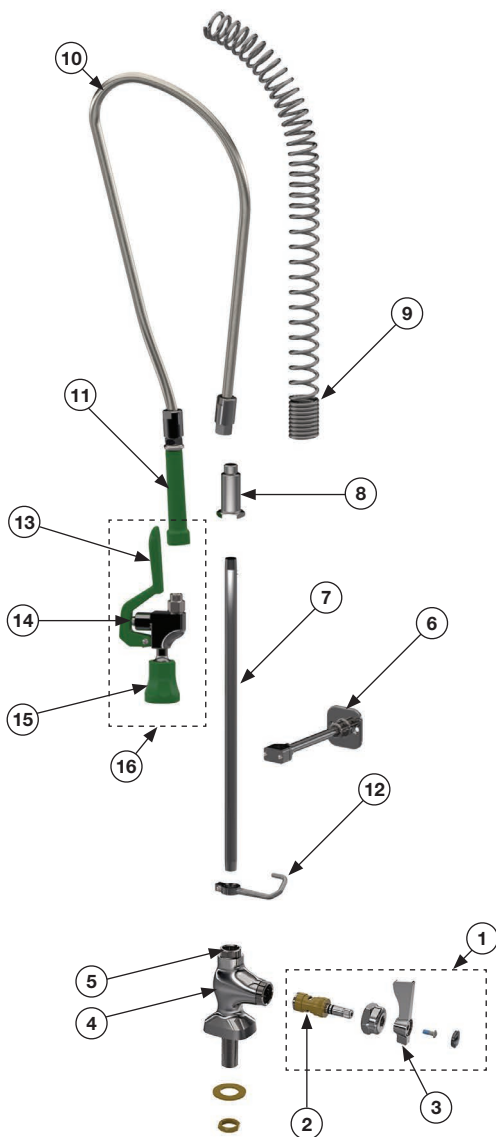
Single Hole Deck Mount Pre-Rinse

Models: 17-206WL



Installation Instructions

1. Turn off water supply at main source before proceeding with installation.
2. Apply thread sealant tape or pipe joint compound to the threaded nipple (A).
3. From the top of the sink, insert the threaded nipple into the faucet hole on the sink (C).
4. From the bottom of the sink, place the included metal washer and locknut onto the threaded nipple and tighten with a wrench.
5. From the bottom of the sink, install the water supply line and tighten properly.
6. To assemble the pre-rinse, remove the riser pipe (B). Thread onto the faucet body (D) and tighten.
7. Determine the correct length of the support rod (E) from the wall to the riser pipe (B). Cut the support rod to size (Figure 2).
8. Determine the position on the wall for the wall bracket brace (F), making sure it is near the top of the riser pipe (B).
9. Install the wall bracket brace (F) on the wall with the included screws. Press the end of the support rod (E) into the bracket. Tighten set screw to secure it in place.
10. Install the head of the support rod (G) around the riser pipe with the two supplied screws.
11. The pre-rinse spray head (H), hose (I), and spring (J) have been assembled at the factory.
12. Install the complete assembly onto the top of the riser pipe (B), making sure you use the small black washer supplied in the cardboard cylinder in the packaging. Tighten appropriately.
13. Loosen the spray head hook (K) and center it on the riser pipe. Tighten when it is in place.



Single Hole Deck Mount Pre-Rinse Replacement Parts

No.	Model	Description
1	21-308L	Cold 1/4 Turn Ceramic Cartridge Valve
1	21-309L	Hot 1/4 Turn Ceramic Cartridge Valve
2	21-333L	Cold 1/4 Turn Ceramic Cartridge Valve, Less Handle
-	21-334L	Hot 1/4 Turn Ceramic Cartridge Valve, Less Handle
3	21-306	Lever Handle Kit
4	16-2XXL	Single Hole Deck Base (Includes valve)
5	21-118L	Swing to Riser Pipe Adapter
6	21-137	Wall Bracket
7	21-168	Riser (12" Long, 3/8" male thread)
-	21-160L	Riser (18" Long, 3/8" male thread)
-	21-160-24L	Riser (24" Long, 3/8" male thread)
8	21-161L	Spring Retainer
9	21-162	24" Spring
10	21-133L	44" Pre-Rinse Hose with Grip
-	21-134L	60" Pre-Rinse Hose with Grip
-	21-135L	72" Pre-Rinse Hose with Grip
-	21-136L	96" Pre-Rinse Hose with Grip
11	21-164L	Grip (1/2" NPS Male)
12	21-165	Hook/Screw Assembly
13	21-171	Spray Head Handle
14	21-302L	Button Valve
15	21-179L	Spray Head Repair Kit - New Style (2007 to present)
16	21-129L	1.15 GPM Spray Head



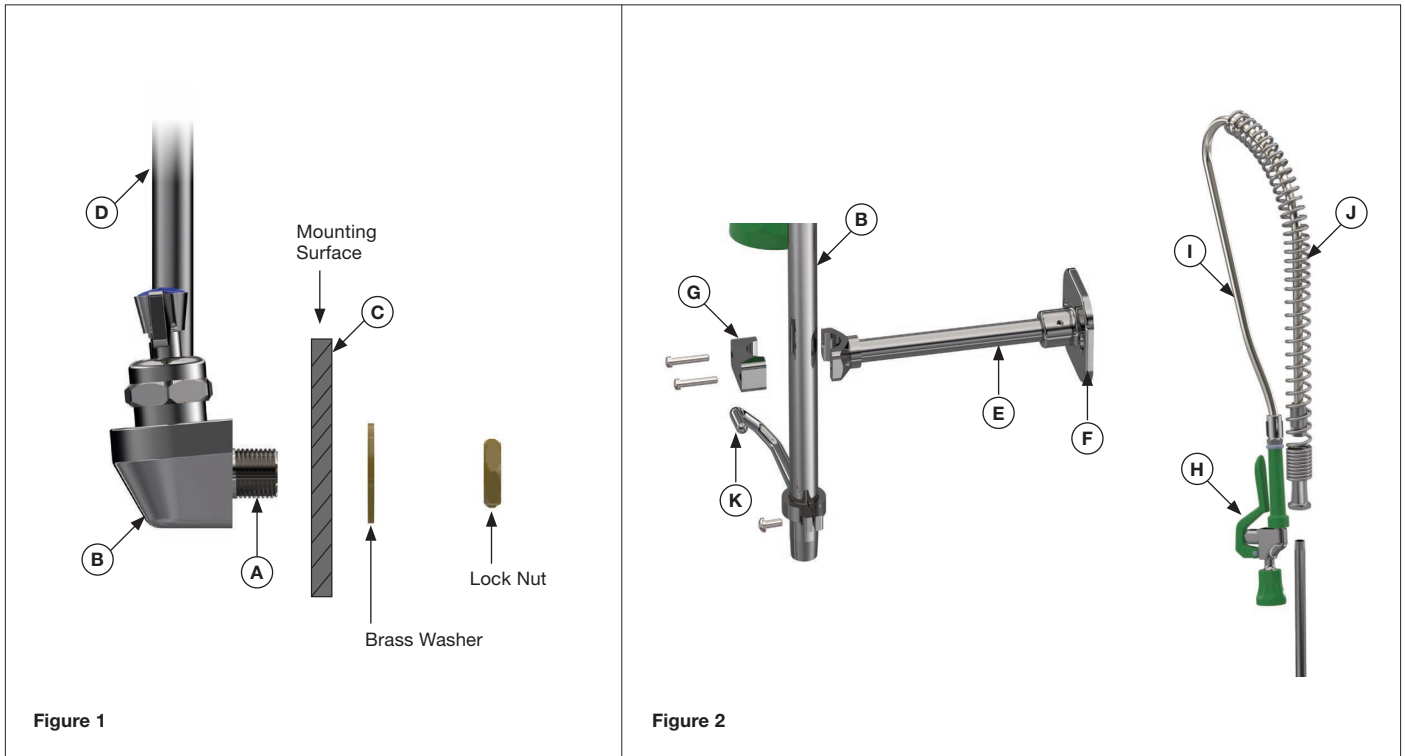
Single Hole Deck Mount Pre-Rinse Accessories

No.	Model	Description
1	21-127L	0.65 GPM Spray Head
2	21-130L	Shower Pattern Spray Head
3	21-131L	Angled Pre-Rinse Spray Head
4	21-132L	Pot Filer Spray Head
5	21-170	Ring (Optional)
6	21-311	Wrist Blade Handle Kit
7	21-198L	1/2" x 3/8" Braided Supply Hoses
8	21-547L	Swivel Pre-Rinse Hose Connector
9	25-150	Thread Sealant Tape

WARNING: Plumbing connections should be made by qualified personnel who will observe all applicable plumbing, sanitary and safety codes.

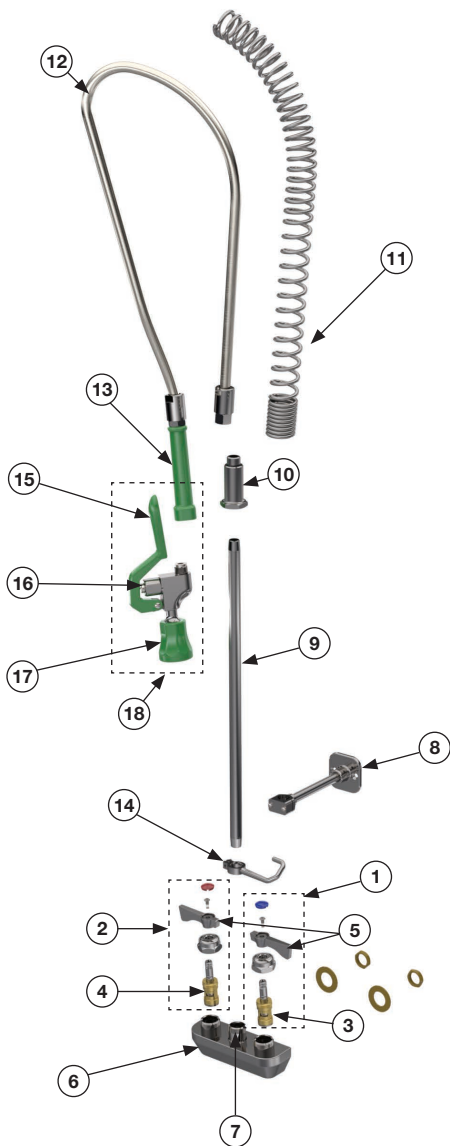
4" Center Wall Mount Pre-Rinse

Models: 17-124WL



Installation Instructions

1. Turn off water supply at main source before proceeding with installation.
2. Apply thread sealant tape or pipe joint compound to each of the two built-in threaded nipples (A) on the faucet body (B).
3. From the front of the sink, insert the threaded nipples into the faucet holes on the wall (C).
4. From the back of the sink, place the included metal washer and locknut onto the threaded nipples and tighten with a wrench.
5. Determine the correct length of the support rod (E) from the wall to the riser pipe (L). Cut the support rod to size (Figure 2).
6. Determine the position on the wall for the wall bracket brace (F), making sure it is near the top of the riser pipe (L).
7. Install the wall bracket brace (F) on the wall with the included screws. Press the end of the support rod (E) into the bracket. Tighten set screw to secure it in place.
8. Install the head of the support rod (G) around the riser pipe with the two supplied screws.
9. The pre-rinse spray head (H), hose (I), and spring (J) have been assembled at the factory.
10. Install the complete assembly onto the top of the riser pipe (D), making sure you use the small black washer supplied in the cardboard cylinder in the packaging. Tighten appropriately.
11. Loosen the spray head hook (K) and center it on the riser pipe (D). Tighten when it is in place.
12. From the back of the sink, install the water supply lines and tighten properly.



4" Center Wall Mount Pre-Rinse Replacement Parts

No.	Model	Description
1	21-308L	Cold 1/4 Turn Ceramic Cartridge Valve
2	21-309L	Hot 1/4 Turn Ceramic Cartridge Valve
3	21-333L	Cold 1/4 Turn Ceramic Cartridge Valve, Less Handle
4	21-334L	Hot 1/4 Turn Ceramic Cartridge Valve, Less Handle
5	21-306	Lever Handle Kit
6	14-4XXL	4" Center Wall Mount Faucet Base (Includes valves)
7	21-118L	Swing to Riser Pipe Adapter
8	21-137	Wall Bracket
9	21-168	Riser (12" Long, 3/8" male thread)
-	21-160L	Riser (18" Long, 3/8" male thread)
-	21-160-24L	Riser (24" Long, 3/8" male thread)
10	21-161L	Spring Retainer
11	21-162	24" Spring
12	21-133L	44" Pre-Rinse Hose with Grip
-	21-134L	60" Pre-Rinse Hose with Grip
-	21-135L	72" Pre-Rinse Hose with Grip
-	21-136L	96" Pre-Rinse Hose with Grip
13	21-164L	Grip (1/2" NPS Male)
14	21-165	Hook/Screw Assembly
15	21-171	Spray Head Handle
16	21-302L	Button Valve
17	21-179L	Spray Head Repair Kit - New Style (2007 to present)
17	21-129L	1.15 GPM Spray Head



4" Center Wall Mount Pre-Rinse Accessories

No.	Model	Description
1	21-127L	0.65 GPM Spray Head
2	21-130L	Shower Pattern Spray Head
3	21-131L	Angled Pre-Rinse Spray Head
4	21-132L	Pot Filer Spray Head
5	21-170	Ring (Optional)
6	21-311	Wrist Blade Handle Kit
7	21-443L	E-Z Install Flexible Water Line Kit
8	21-547L	Swivel Pre-Rinse Hose Connector
9	25-150	Thread Sealant Tape



Krowne

100 Haul Rd. Wayne, NJ 07470

krowne.com



Warranty

Please visit krowne.com/warranty for full terms and conditions regarding the warranty on your new Royal Series product.

Product Description	Warranty Period
Royal Series Plumbing	3 Year

This Standard Warranty and Limitation of Liability (the "Warranty") sets forth the warranty provided by Krowne Metal Corporation (hereinafter "Krowne") with respect to the product purchased by Purchaser (the "Equipment"). By accepting delivery of the Equipment, Purchaser agrees to be bound by and accept these terms and conditions. All defined terms within the Warranty shall have the same meaning and definition as provided elsewhere in the Warranty. Equipment covered by the Warranty shall only be warranted in connection with its original installation only. Krowne will only be obligated to honor the warranty set forth in these terms and conditions upon receipt of full payment for the equipment.