

NO. 71124

ISSUED: JUNE 5, 1998

REVISED: AUG. 28, 2000



**HOSHIZAKI
MODULAR CRESCENT CUBER**

**MODEL
KML-200MAE
KML-200MWE**

PARTS LIST

HA

KML-200MAE

| | |
|-----|------------|
| G-0 | JUNE, 1997 |
| H-0 | JAN., 1998 |
| H-1 | AUG., 1998 |
| H-2 | OCT., 1998 |
| J-0 | DEC., 1998 |
| K-0 | DEC., 1999 |

KML-200MWE

| | |
|-----|-------------|
| G-0 | AUG., 1997 |
| H-0 | DEC., 1997 |
| H-1 | APRIL, 1998 |
| H-2 | SEPT., 1998 |
| J-0 | DEC., 1998 |
| K-0 | JAN., 2000 |

MATERIAL ABBREVIATIONS

ALUMINUM

AL = Aluminum

COPPER

CU = Copper

PLASTIC

ABS = Acrylonitrile -butadiene - styrene
 AC = Polyacetal
 EVA = Ethylene vinyl acetate
 PA = Polyamide = Nylon
 PC = Polycarbonate
 PE = Polyethylene
 PES = Polyester
 PETP = Polyethylene terephthalate = Tetlon
 PP = Polypropylene
 PS = Polystyrene
 PTFE = Polytetrafluoroethylene = Teflon
 PUR = Polyurethane
 PVC = Polyvinyl chloride

RUBBER

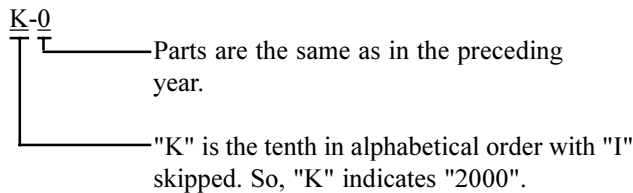
VN = Vinyl Nitrile
 EPDM = EP rubber
 NBR = Nitrile butadiene rubber
 NR = Natural rubber
 NP = Neoprene
 SI.R = Silicone rubber
 SY.R = Synthetic rubber
 EPH = Epichlorohydrin

STEEL

GS = Galvanized steel
 SS = Stainless steel
 PS = Plated steel
 PAS = Primed steel

AUXILIARY CODE

Ex.1

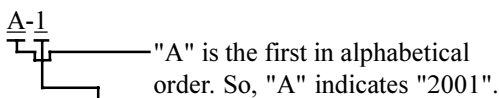


Note: - = Part deleted.

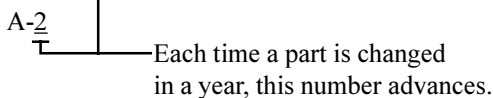
x = Part deleted and replaced by "o" part.

o = New part for "x" in the same auxiliary code.

Ex.2

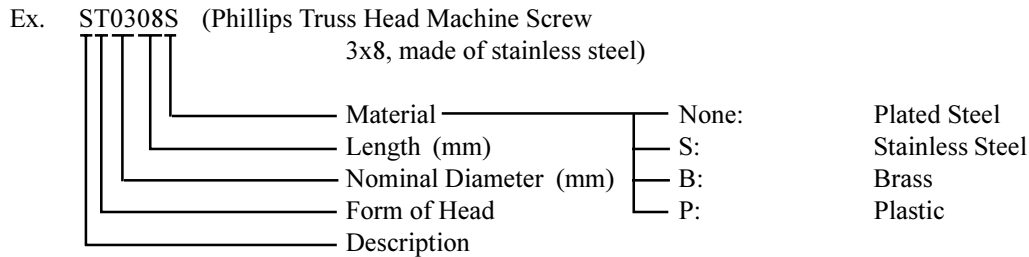


Ex.3



FASTENER ABBREVIATION LIST

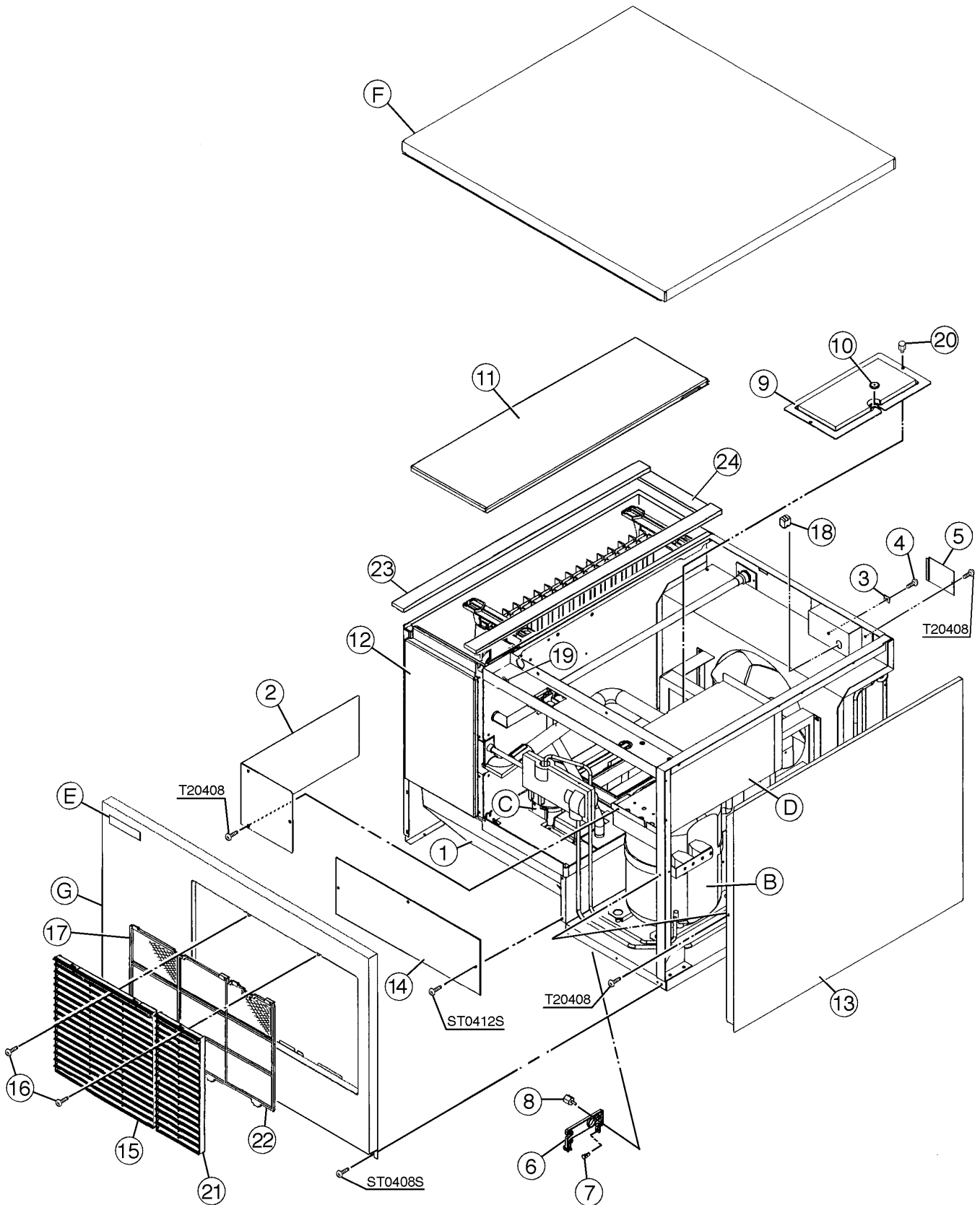
| | |
|-----|---|
| ST | Phillips Truss Machine Screw |
| SP | Phillips Pan Head Machine Screw |
| SF | Phillips Flat Head Machine Screw |
| SS | Phillips Pan Head Machine Screw with Split Lock Washer |
| SW | Phillips Pan Head Machine Screw with Split Lock Washer and Flat Washer |
| T1 | Phillips Truss Head Tapping Screw (Correspond to Type A) |
| T2 | Phillips Truss Head Tapping Screw (Correspond to Type B) |
| T3 | Phillips Truss Head Tapping Screw (Correspond to Type C) |
| FT | Phillips Truss Head Tapping Screw (Special) |
| BH | Hexagon Head Bolt |
| BC | Socket Head Cap Screw |
| BS | Hexagon Bolt with Split Washer |
| BW | Hexagon Bolt with Split Washer and Flat Washer |
| BF | Hexagon Flange Bolt |
| BR | Cross-Recessed Hexagon Head Bolt |
| BRW | Cross-Recessed Hexagon Head Bolt with Split Lock Washer and Flat Washer |
| WL | Split Lock Washer |
| WT | External Tooth Washer |
| WF | Flat Washer |
| WS | Spring Washer |
| NH | Hexagon Nut |
| NF | Hexagon Flange Nut |
| NC | Hexagon Cap Nut |
| NS | Square Nut |
| NW | Wing Nut |

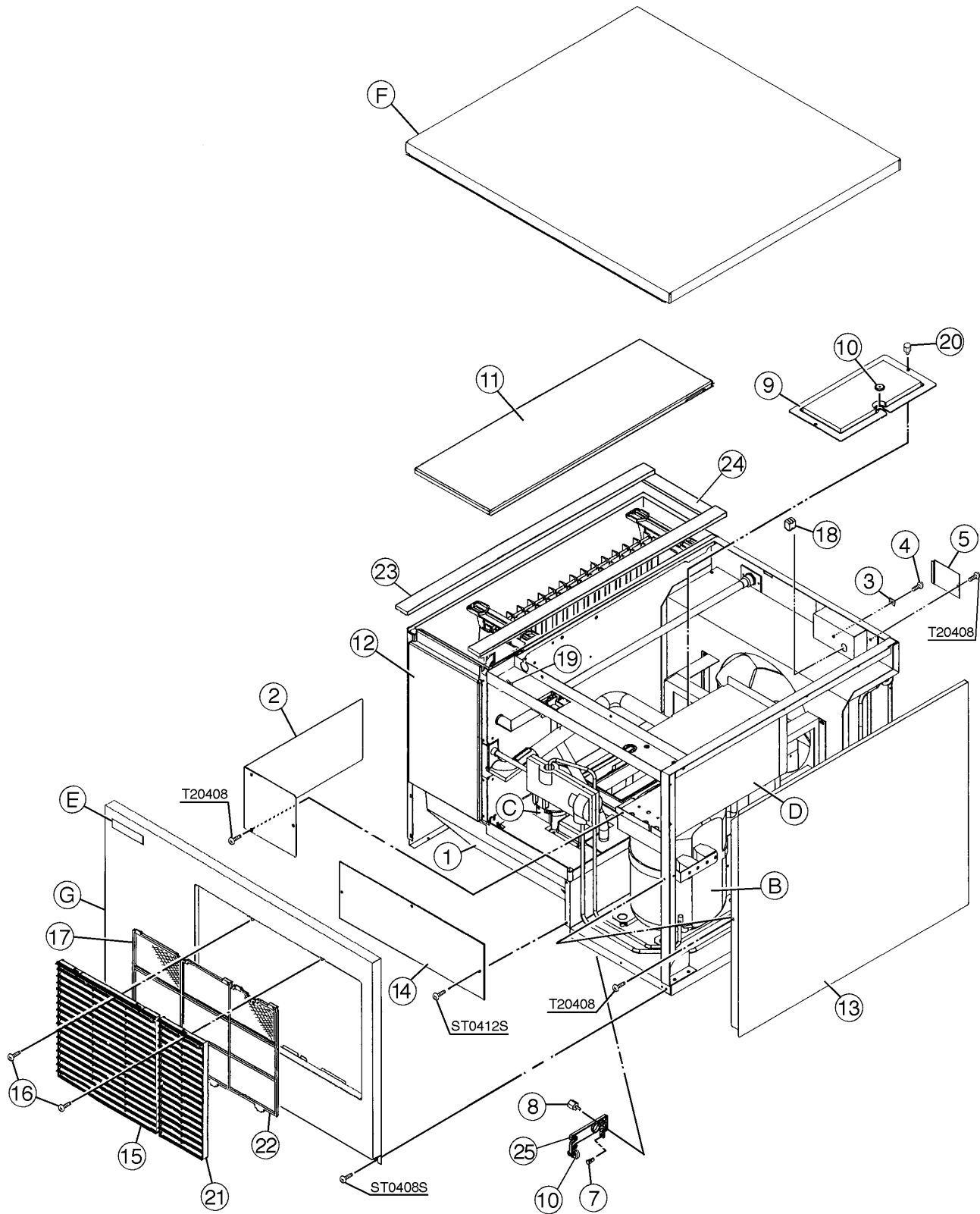


(Note) Second character is numerical except toe list.

Ex. S1, S2, B3 etc.

And abbreviations and names are shown under the illustration.



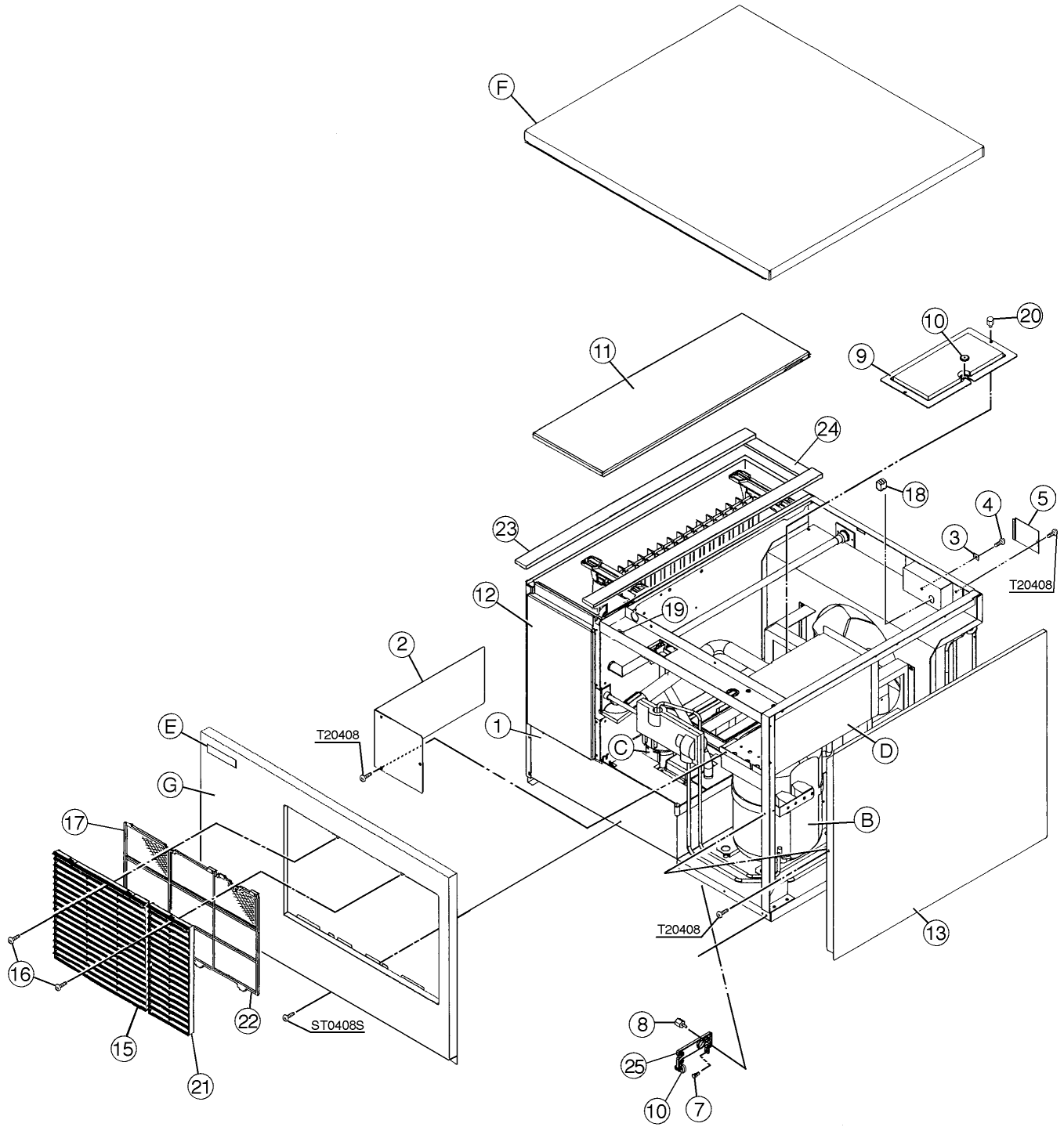


HA

KML-200MAE

A. ICE CUBER ASSEMBLY

J00786C-J01485L, K-0



HA

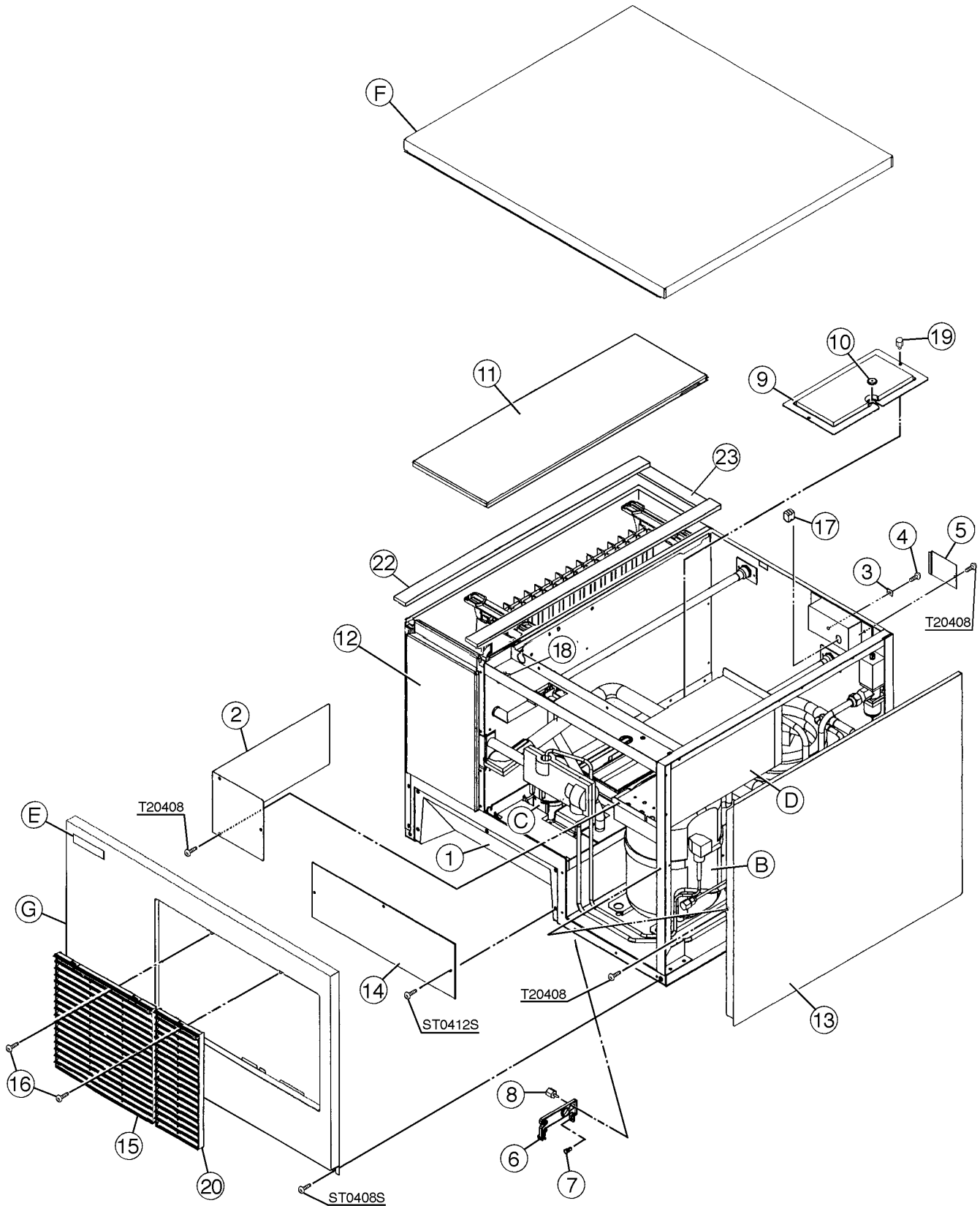
| MODEL: KML-200MAE TITLE: A. ICE CUBER ASSEMBLY | | | | | | | | |
|--|-----------------------|--------------------------|-------------|-----------------|-----|-----|---------------------|----------------------------|
| INDEX NO. | DESCRIPTION | MATERIAL OR MODEL NUMBER | PART NUMBER | REQUIRED NUMBER | | | | |
| | | | | G-0 H-0 | H-1 | H-2 | J00636M- J00785B | J00786C- J01485L K-0 |
| B | REFRIGERATION CIRCUIT | - | 2A0772A01 | 1 | 1 | 1 | 1 | 1 |
| C | WATER CIRCUIT | - | 2A0774A01 | 1 | 1 | 1 | 1 | - |
| | | - | 1A0451A01 | | | | | 1 |
| D | CONTROL BOX ASSEMBLY | - | 2A0657A03 | 1 | - | | | |
| | | - | 2A0657A07 | | 1 | 1 | 1 | 1 |
| | T2 SCREW | 4X8 | 7P31-0408 | 3 | 3 | 3 | 3 | 3 |
| E | LABEL LOCATION | - | 3A0785A01 | 1 | - | | | |
| | | - | 3A0785A02 | | 1 | 1 | 1 | - |
| | | - | 3A1380A01 | | | | | 1 |
| F | TOP PANEL ASSEMBLY | - | 3A0674A01 | 1 | 1 | 1 | 1 | 1 |
| G | FRONT PANEL ASSEMBLY | - | 3A0905A01 | 1 | 1 | 1 | 1 | - |
| | | - | 3A1273A01 | | | | | 1 |
| | TRUSS HEAD SCREW | 4X8, SS | 7C32-0408 | 2 | 2 | 2 | 2 | 1 |
| 1 | EVAPORATOR CASE | - | 2A0687G02 | 1 | 1 | 1 | 1 | - |
| | | - | 2A1449G02 | | | | | 1 |
| 2 | CONTROL BOX COVER | GS | 3A0594-01 | 1 | 1 | 1 | 1 | 1 |
| | T2 SCREW | 4X8 | 7P31-0408 | 3 | 3 | 3 | 3 | 3 |
| 3 | SQUARE WASHER | BRASS | 433537-02 | 1 | 1 | 1 | 1 | 1 |
| 4 | SCREW - GROUNDING | BRASS | 433304-02 | 1 | 1 | 1 | 1 | 1 |
| 5 | JUNCTION BOX COVER | GS | 433410-01 | 1 | 1 | 1 | 1 | 1 |
| | T2 SCREW | 4X8 | 7P31-0408 | 1 | 1 | 1 | 1 | 1 |
| 6 | BULB HOLDER | PE | 328919-01 | 1 | 1 | - | - | |
| 7 | SPACER | PE | 443545-01 | 1 | 1 | 1 | 1 | 1 |
| 8 | THUMBSCREW | SS, ABS | 415949G03 | 2 | 2 | 2 | 2 | 2 |
| 9 | BIN CONTROL COVER | GS | 3A0664G01 | 1 | 1 | 1 | 1 | 1 |
| 10 | CAPILLARY RING | EP RUBBER | 425307-01 | 1 | 1 | 2 | 2 | 2 |
| 11 | TOP INSULATION | PP | 215730G01 | 1 | 1 | 1 | 1 | 1 |

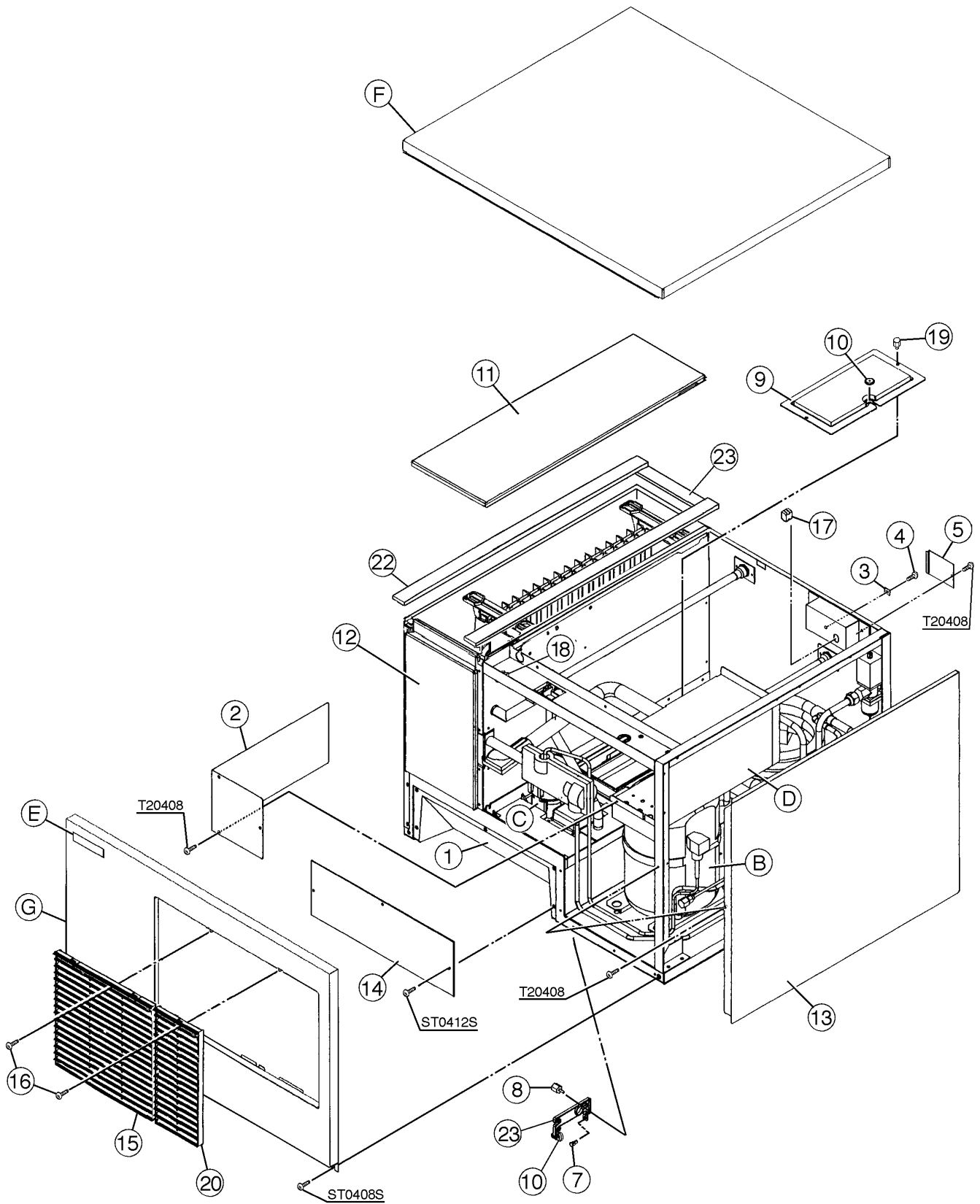
HA

KML-200MWE

A. ICE CUBER ASSEMBLY

G-0, H-0, H-1



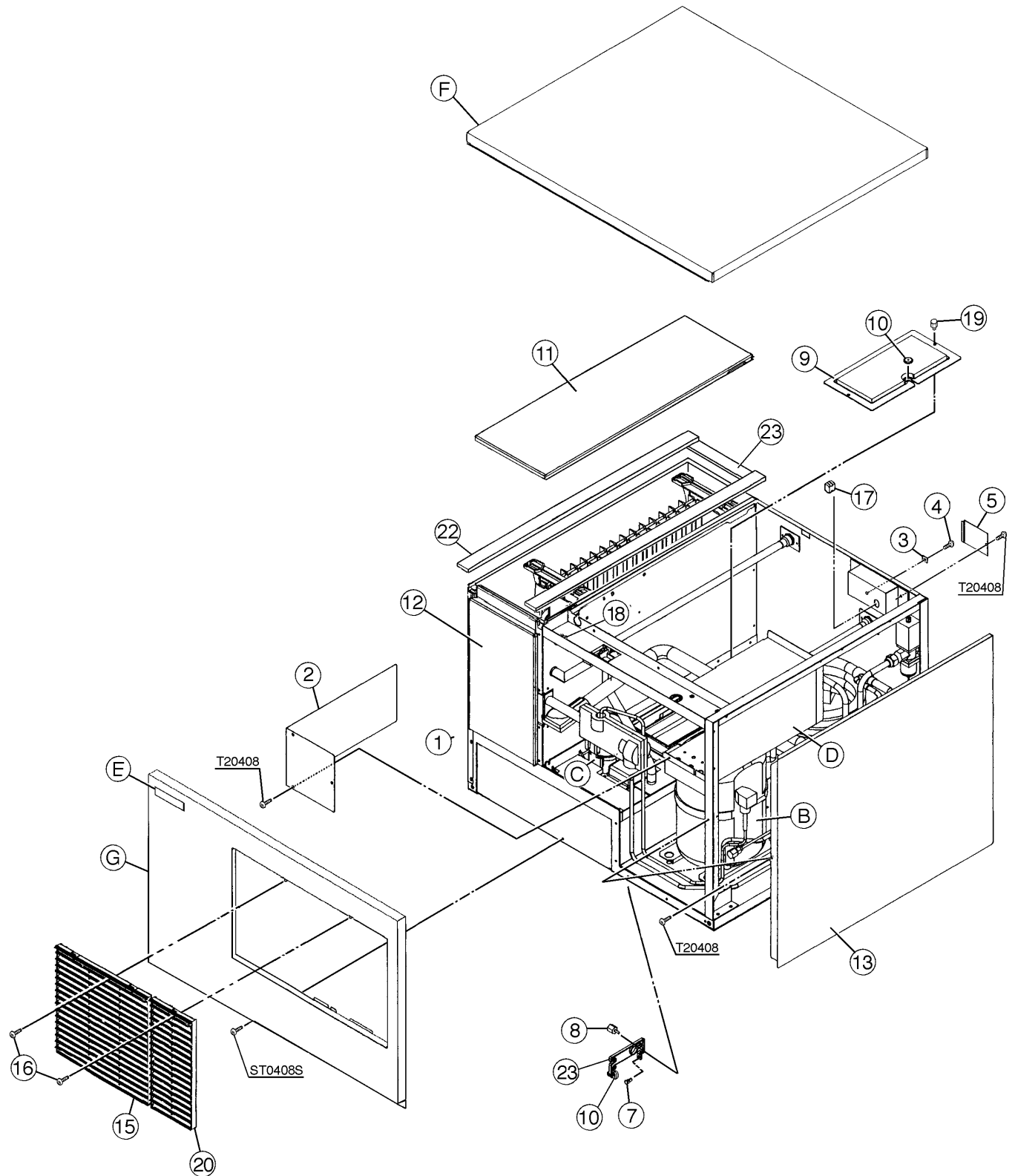


HA

KML-200MWE

A. ICE CUBER ASSEMBLY

J00296D-J00425J, K-0



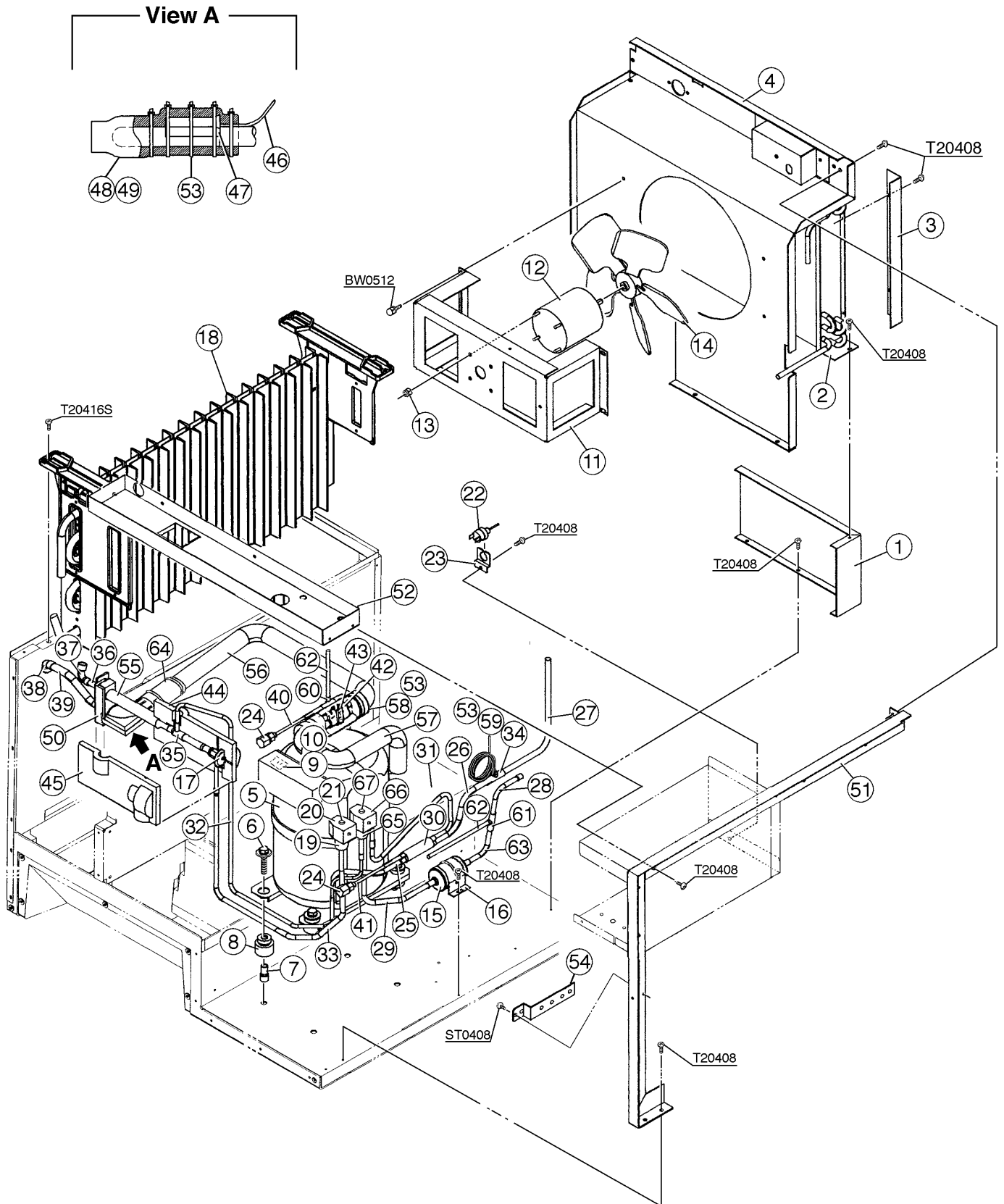
| MODEL: KML-200MWE TITLE: A. ICE CUBER ASSEMBLY | | | | | | | | |
|--|-----------------------|--------------------------|-------------|-----------------|-----|-----|---------------------|----------------------------|
| INDEX NO. | DESCRIPTION | MATERIAL OR MODEL NUMBER | PART NUMBER | REQUIRED NUMBER | | | | |
| | | | | G-0 H-0 | H-1 | H-2 | J00196M- J00295B | J00296D- J00425J K-0 |
| B | REFRIGERATION CIRCUIT | - | 2A0773A01 | 1 | 1 | | | |
| C | WATER CIRCUIT | - | 2A0774A01 | 1 | 1 | 1 | 1 | - |
| | | - | 1A0438A01 | | | | | 1 |
| D | CONTROL BOX ASSEMBLY | - | 2A0657A04 | 1 | - | | | |
| | | - | 2A0657A08 | | 1 | 1 | 1 | 1 |
| | T2 SCREW | 4X8 | 7P31-0408 | 3 | 3 | 3 | 3 | 3 |
| E | LABEL LOCATION | - | 3A0786A01 | 1 | - | | | |
| | | - | 3A0786A02 | | 1 | 1 | 1 | - |
| | | - | 3A1381A01 | | | | | 1 |
| F | TOP PANEL ASSEMBLY | - | 3A0674A01 | 1 | 1 | 1 | 1 | 1 |
| G | FRONT PANEL ASSEMBLY | - | 3A0905A01 | 1 | 1 | 1 | 1 | - |
| | | - | 3A1273A01 | | | | | 1 |
| | TRUSS HEAD SCREW | 4X8, SS | 7C32-0408 | 2 | 2 | 2 | 2 | 1 |
| 1 | EVAPORATOR CASE | - | 2A0687G02 | 1 | 1 | 1 | 1 | - |
| | | - | 2A1449G02 | | | | | 1 |
| 2 | CONTROL BOX COVER | GS | 3A0594-01 | 1 | 1 | 1 | 1 | 1 |
| | T2 SCREW | 4X8 | 7P31-0408 | 3 | 3 | 3 | 3 | 3 |
| 3 | SQUARE WASHER | BRASS | 433537-02 | 1 | 1 | 1 | 1 | 1 |
| 4 | SCREW - GROUNDING | BRASS | 433304-02 | 1 | 1 | 1 | 1 | 1 |
| 5 | JUNCTION BOX COVER | GS | 433410-01 | 1 | 1 | 1 | 1 | 1 |
| | T2 SCREW | 4X8 | 7P31-0408 | 1 | 1 | 1 | 1 | 1 |
| 6 | BULB HOLDER | PE | 328919-01 | 1 | 1 | - | | |
| 7 | SPACER | PE | 443545-01 | 1 | 1 | 1 | 1 | 1 |
| 8 | THUMBSCREW | SS, ABS | 415949G03 | 2 | 2 | 2 | 2 | 2 |
| 9 | BIN CONTROL COVER | GS | 3A0664G01 | 1 | 1 | 1 | 1 | 1 |
| 10 | CAPILLARY RING | EP RUBBER | 425307-01 | 1 | 1 | 2 | 2 | 2 |
| 11 | TOP INSULATION | PP | 215730G01 | 1 | 1 | 1 | 1 | 1 |

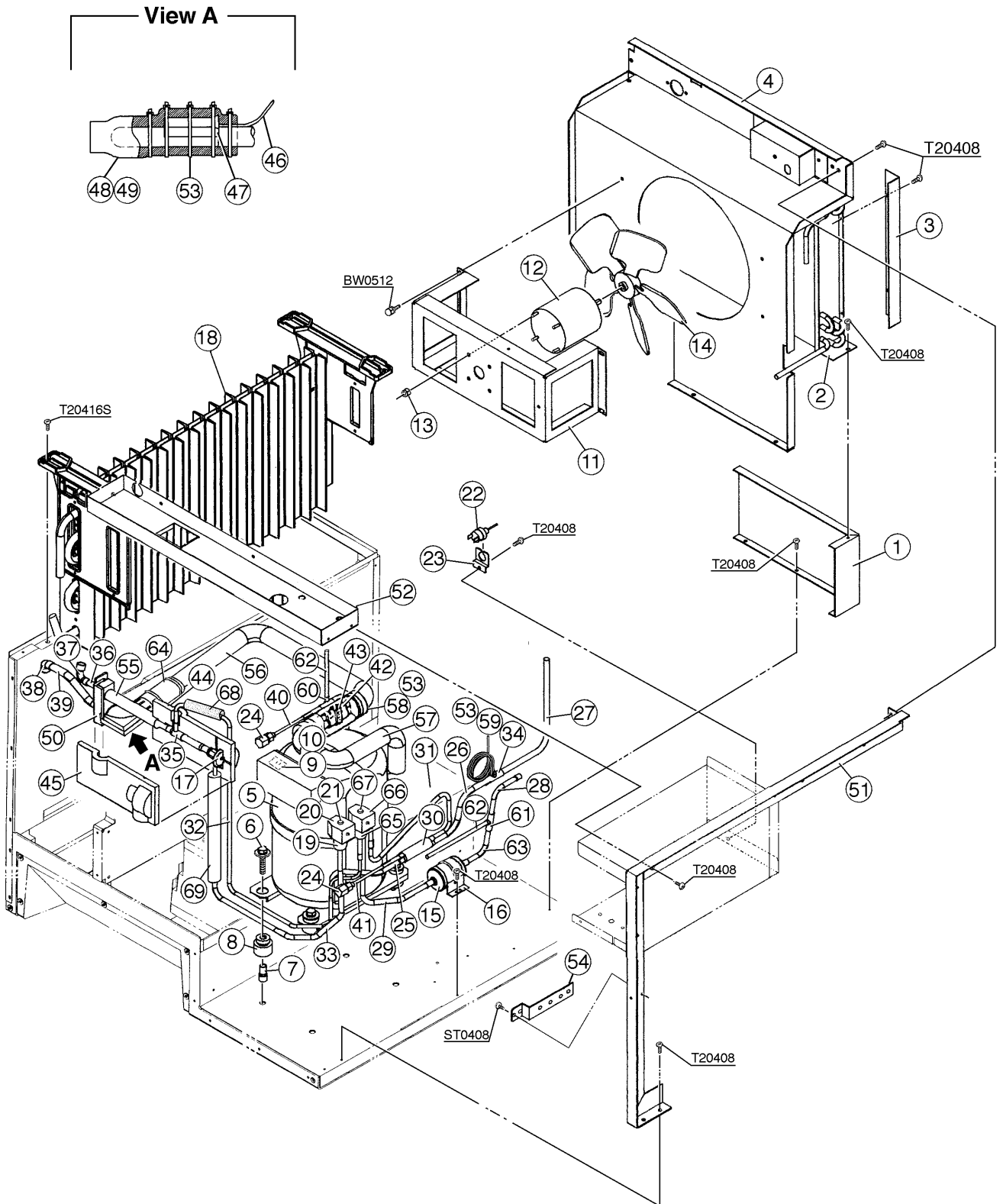
HA

KML-200MAE

B. REFRIGERATION CIRCUIT

G-0, H-0, H-1, H-2





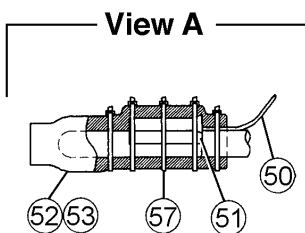
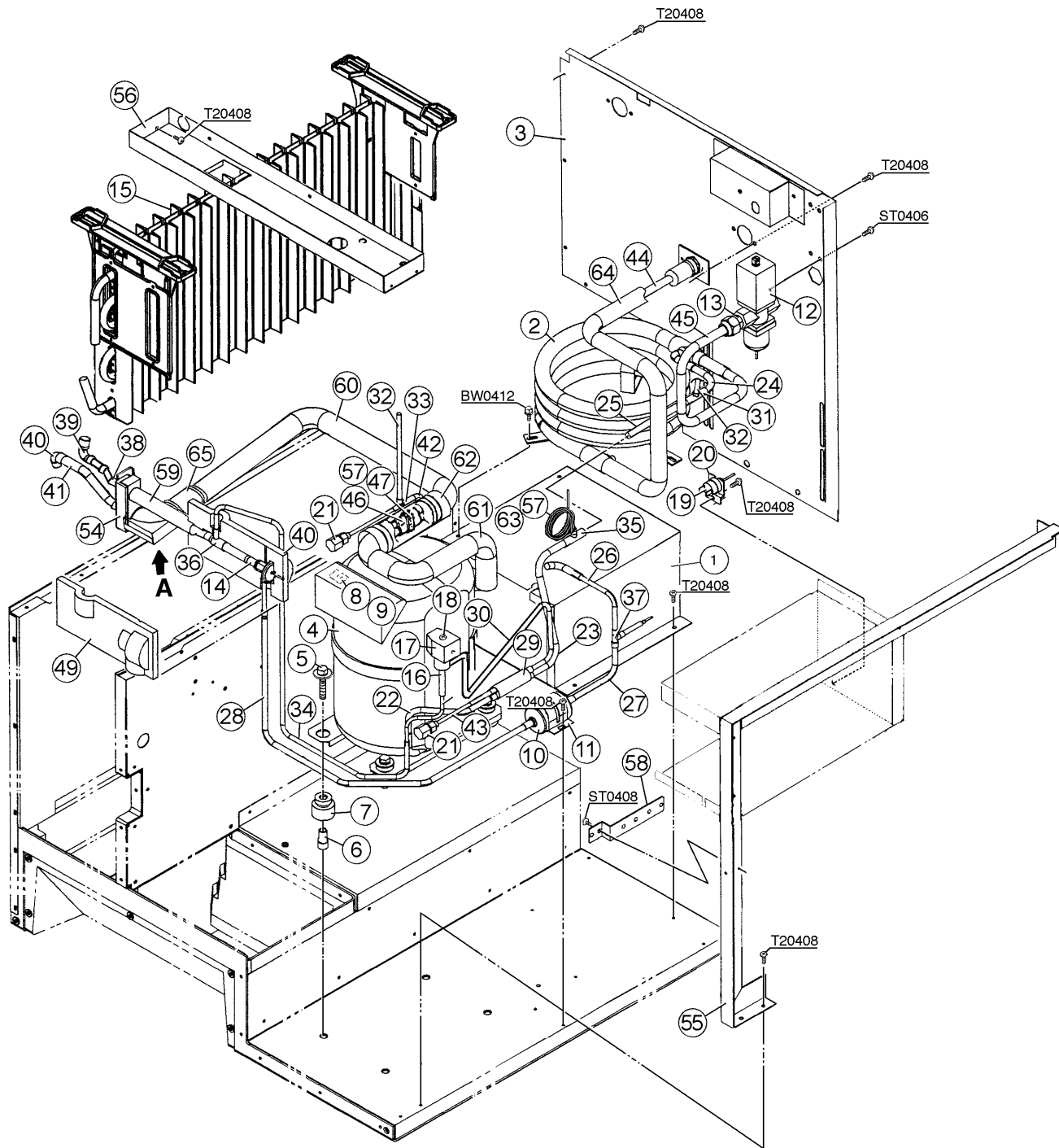
HA

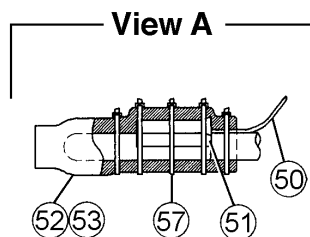
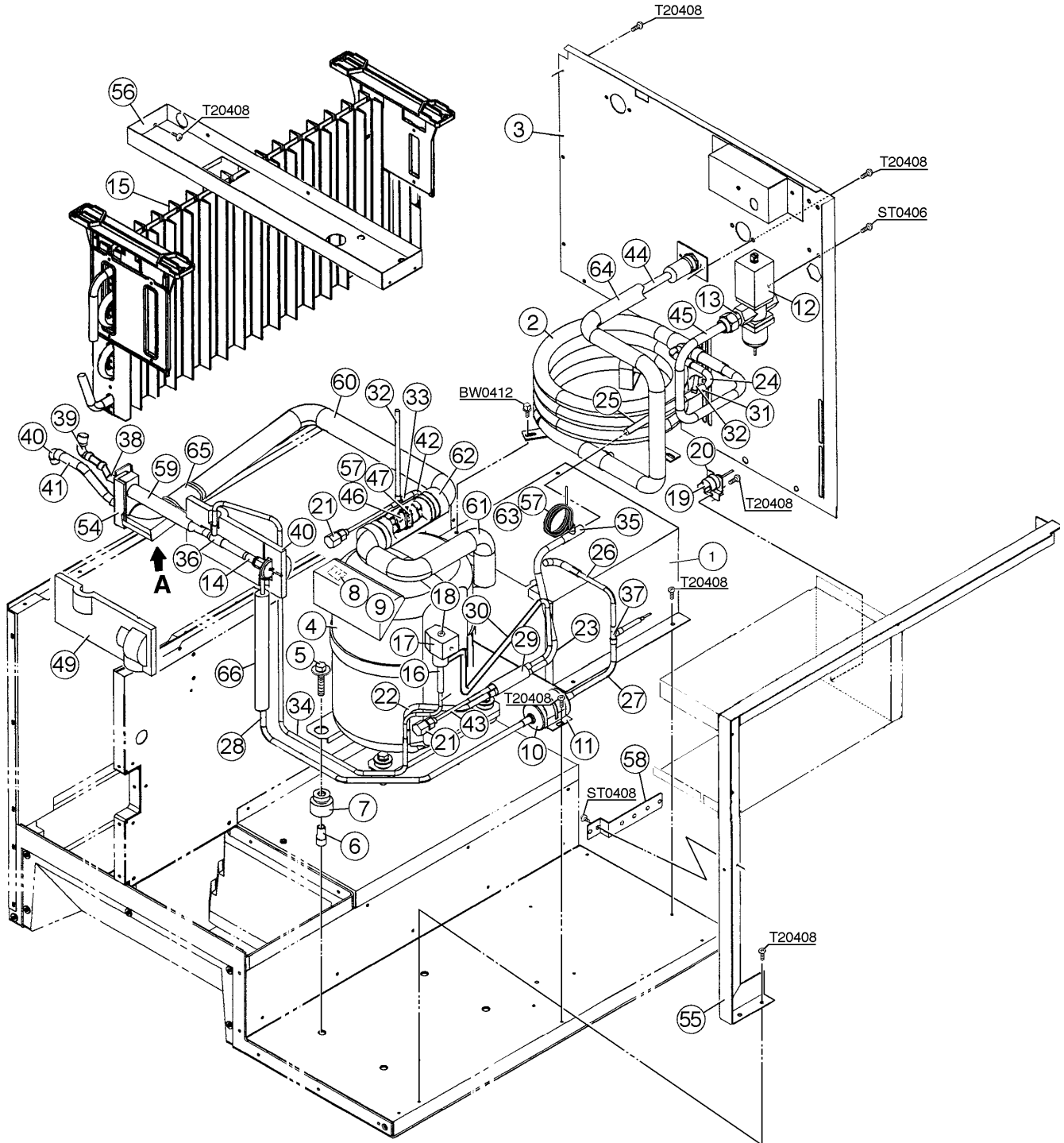
| MODEL: KML-200MAE TITLE: B. REFRIGERATION CIRCUIT | | | | | | | | |
|---|-----------------------------|--------------------------|-------------|-----------------|-----|-----|-----|------------|
| INDEX NO. | DESCRIPTION | MATERIAL OR MODEL NUMBER | PART NUMBER | REQUIRED NUMBER | | | | |
| | | | | G-0 | H-0 | H-1 | H-2 | J-0 K-0 |
| 1 | CONDENSER SUPPORT | GS | 3A0589-01 | 1 | 1 | 1 | 1 | 1 |
| | T2 SCREW | 4X8 | 7P31-0408 | 5 | 5 | 5 | 5 | 5 |
| 2 | CONDENSER | - | 2A0779-01 | 1 | 1 | 1 | 1 | 1 |
| | T2 SCREW | 4X8 | 7P31-0408 | 3 | 3 | 3 | 3 | 3 |
| 3 | BARRIER | GS | 4A0932-01 | 1 | 1 | 1 | 1 | 1 |
| | T2 SCREW | 4X8 | 7P31-0408 | 2 | 2 | 2 | 2 | 2 |
| 4 | SHROUD | GS | 3A0597G01 | 1 | 1 | 1 | 1 | 1 |
| | T2 SCREW | 4X8 | 7P31-0408 | 5 | 5 | 5 | 5 | 5 |
| 5 | COMPRESSOR | RSU4-0050-CAA | 436634-01 | 1 | 1 | 1 | 1 | 1 |
| 6 | BOLT | 8 x 45 | 437889-01 | 4 | 4 | 4 | 4 | 4 |
| 7 | SPACER | 027-0072-02 | 434404-01 | 4 | 4 | 4 | 4 | 4 |
| 8 | GROMMET | 527-0039-04 | 434403-01 | 4 | 4 | 4 | 4 | 4 |
| 9 | MOTOR PROTECTOR | 071-0370-30 | 437340-01 | 1 | 1 | 1 | 1 | 1 |
| 10 | PROTECTOR HOLDER | SS | 437339-01 | 1 | 1 | 1 | 1 | 1 |
| 11 | FAN MOTOR BRACKET | GS | 2A0181-01 | 1 | 1 | 1 | 1 | 1 |
| | HEX HEAD BOLT W/WASHER (LF) | 5X12 | 7B0130512 | 4 | 4 | 4 | 4 | 4 |
| 12 | FAN MOTOR | U90B1, 7190-1031 | 440911-01 | 1 | 1 | 1 | 1 | 1 |
| 13 | SELF-LOCKING NUT | SS | 7N2110832 | 4 | 4 | 4 | 4 | 4 |
| 14 | FAN BLADE | AD10CW32 | 444898-01 | 1 | 1 | 1 | 1 | 1 |
| 15 | DRIER | C-0325-S | 445007-01 | 1 | 1 | 1 | 1 | 1 |
| 16 | DRIER BRACKET | GS | 4A0807-01 | 1 | 1 | 1 | 1 | 1 |
| | T2 SCREW | 4X8 | 7P31-0408 | 2 | 2 | 2 | 2 | 2 |
| 17 | EXPANSION VALVE | HFE-5HHD-5 | 446461-01 | 1 | 1 | 1 | 1 | 1 |
| 18 | EVAPORATOR ASSEMBLY | - | 2A0775G01 | 1 | 1 | 1 | 1 | 1 |
| | T2 SCREW | 4X16, SS | 7P32-0416 | 4 | 4 | 4 | 4 | 4 |
| 19 | VALVE BODY | 70 | 440352-01 | 1 | 1 | 1 | 1 | 1 |
| 20 | COIL - VALVE | ABS-25-1-HD-2 | 440353-01 | 1 | 1 | 1 | 1 | 1 |

HA

| MODEL: KML-200MAE TITLE: B. REFRIGERATION CIRCUIT | | | | | | | | |
|---|--------------------------------|--------------------------|-------------|-----------------|-----|------------|-----|-----|
| INDEX NO. | DESCRIPTION | MATERIAL OR MODEL NUMBER | PART NUMBER | REQUIRED NUMBER | | | | |
| | | | | G-0 | H-0 | H-1 H-2 | J-0 | K-0 |
| 21 | BOLT | - | 440353F01 | 1 | 1 | 1 | 1 | 1 |
| | TRUSS HEAD SCREW | 4X8 | 7C31-0408 | 4 | 4 | 4 | 4 | 4 |
| 22 | PRESSURE SWITCH | ACB-2UB04 | 433441-05 | 1 | 1 | 1 | 1 | 1 |
| 23 | PRESSURE SWITCH BRCKT. | GS | 434938-01 | 1 | 1 | 1 | 1 | 1 |
| | T2 SCREW | 4X8 | 7P31-0408 | 1 | 1 | 1 | 1 | 1 |
| 24 | ACCESS VALVE | TCJ-2F15-HD | 417366-01 | 2 | 2 | 2 | 2 | 2 |
| 25 | COPPER TUBE (A) - HIGH SIDE | COPPER | 4A0986-01 | 1 | 1 | 1 | 1 | 1 |
| 26 | COPPER TUBE (B) - HIGH SIDE | COPPER | 4A0987-01 | 1 | 1 | 1 | 1 | 1 |
| 27 | COPPER TUBE (C) - HIGH SIDE | COPPER | 4A0989-01 | 1 | 1 | 1 | 1 | 1 |
| 28 | COPPER TUBE (D) - HIGH SIDE | COPPER | 4A0991-01 | 1 | 1 | 1 | 1 | 1 |
| 29 | COPPER TUBE (E) - HIGH SIDE | COPPER | 3A0768-01 | 1 | 1 | 1 | 1 | 1 |
| 30 | COPPER TUBE (F) - HIGH SIDE | COPPER | 3A0769-01 | 1 | 1 | 1 | 1 | 1 |
| 31 | STRAINER | - | 4A0397-01 | 1 | 1 | 1 | 1 | 1 |
| 32 | COPPER TUBE (A) - HOT GAS | COPPER | 3A0770-01 | 1 | 1 | 1 | 1 | 1 |
| 33 | COPPER TUBE (B) - HOT GAS | COPPER | 2A0832-01 | 1 | 1 | 1 | 1 | 1 |
| 34 | TEE | COPPER | 431618-01 | 1 | 1 | 1 | 1 | 1 |
| 35 | TEE | COPPER | 436000-08 | 1 | 1 | 1 | 1 | 1 |
| 36 | COPPER TUBE (A) - LOW SIDE | COPPER | 4A1183-01 | 1 | 1 | 1 | 1 | 1 |
| 37 | ELBOW | COPPER | 4A1059-01 | 1 | 1 | 1 | 1 | 1 |
| 38 | ELBOW | COPPER | 417395-03 | 1 | 1 | 1 | 1 | 1 |
| 39 | COPPER TUBE - LOW SIDE | COPPER | 2A0682-01 | 1 | 1 | 1 | 1 | 1 |
| 40 | COPPER TUBE (A) - ACCESS VALVE | COPPER | 4A1009-01 | 1 | 1 | 1 | 1 | 1 |
| 41 | COPPER TUBE (B) - ACCESS VALVE | COPPER | 4A1010-01 | 1 | 1 | 1 | 1 | 1 |
| 42 | HOLDER / EXPANSION VALVE - 3/8 | SS | 3A0107-01 | 1 | 1 | 1 | 1 | 1 |
| 43 | CLAMP | SS | 443461-02 | 1 | 1 | 1 | 1 | 1 |
| 44 | EXPANSION VALVE COVER (A) | PE FOAM | 322621-01 | 1 | 1 | 1 | 1 | 1 |
| 45 | EXPANSION VALVE COVER (B) | PE FOAM | 322621-02 | 1 | 1 | 1 | 1 | 1 |
| 46 | THERMISTOR | - | 429006-03 | 1 | 1 | 1 | 1 | 1 |
| 47 | HOLDER - THERMISTOR | COPPER | 427430-01 | 1 | 1 | 1 | 1 | 1 |

| MODEL: KML-200MAE TITLE: B. REFRIGERATION CIRCUIT | | | | | | | | |
|---|------------------------------|--------------------------|---------------------------|-----------------|-----|------------|-----|-----|
| INDEX NO. | DESCRIPTION | MATERIAL OR MODEL NUMBER | PART NUMBER | REQUIRED NUMBER | | | | |
| | | | | G-0 | H-0 | H-1 H-2 | J-0 | K-0 |
| 48 | INSULATION - THERMISTOR (A) | PE FOAM | 439368-01 | 1 | 1 | 1 | 1 | 1 |
| 49 | INSULATION - THERMISTOR (B) | PE FOAM | 439368-02 | 1 | 1 | 1 | 1 | 1 |
| 50 | INSULATED RUBBER TUBE | EPDM | 4A1008G01 | 1 | 1 | 1 | 1 | 1 |
| 51 | FRAME (A) | GS | 2A0645-01 | 1 | 1 | 1 | 1 | 1 |
| | T2 SCREW | 4X8 | 7P31-0408 | 4 | 4 | 4 | 4 | 4 |
| 52 | FRAME (B) | GS | 3A0595-01 | 1 | 1 | 1 | 1 | 1 |
| | T2 SCREW | 4X8 | 7P31-0408 | 4 | 4 | 4 | 4 | 4 |
| 53 | CABLE TIE | CV-200 | 7920-0010 | 14 | 14 | 14 | 14 | 14 |
| 54 | LINE VALVE BRACKET | GS | 438213-01 | 1 | 1 | 1 | 1 | 1 |
| | T2 SCREW | 4X8 | 7P31-0408 | 2 | 2 | 2 | 2 | 2 |
| 55 | INSULATION TUBE | L=110 | 7762-1030 | 1 | 1 | 1 | 1 | x1 |
| | | L=140 | 7762-1030 | | | | | o1 |
| 56 | INSULATION TUBE | L=580 | 7762-1330 | 1 | 1 | 1 | 1 | 1 |
| 57 | INSULATION TUBE | L=330 | 7762-1330 | 1 | 1 | 1 | 1 | 1 |
| 58 | INSULATION TUBE | L=140 | 7762-2943 | 1 | 1 | 1 | 1 | 1 |
| 59 | INSULATION TUBE | L=30 | 7762-1020 | 2 | 2 | 2 | 2 | 2 |
| 60 | EVACUATION TUBE | COPPER | 4A1212-01 | 2 | 2 | 2 | 2 | 2 |
| 61 | TEE | COPPER | 420041-02 | 1 | 1 | 1 | 1 | 1 |
| 62 | COPPER TUBE (D2) – HIGH SIDE | COPPER | 4A1213-01 | 1 | 1 | 1 | 1 | 1 |
| 63 | TEE | COPPER | 436000-13 | 1 | 1 | 1 | 1 | 1 |
| 64 | INSULATION TUBE | L=60 | 7762-2943 | 1 | 1 | 1 | 1 | 1 |
| 65 | VALVE BODY | 24 | 440351-01 | 1 | 1 | 1 | 1 | 1 |
| 66 | COIL - VALVE | ADS-25-1-HD-2 | 440355-01 | 1 | 1 | 1 | 1 | 1 |
| 67 | BOLT | - | 440355F01 | 1 | 1 | 1 | 1 | 1 |
| | TRUSS HEAD SCREW | 4X8 | 7C31-0408 | 4 | 4 | 4 | 4 | 4 |
| 68 | INSULATION TUBE | L=200 | 7762-1020 | | | | 1 | 1 |
| 69 | INSULATION TUBE | L=100 | 7762-1020 | | | | 1 | 1 |
| | | | | | | | | |
| | | | | | | | | |





| MODEL: KML-200MWE TITLE: B. REFRIGERATION CIRCUIT | | | | | | | | |
|---|-----------------------------|--------------------------|-------------|-----------------|-----|-----|-----|------------|
| INDEX NO. | DESCRIPTION | MATERIAL OR MODEL NUMBER | PART NUMBER | REQUIRED NUMBER | | | | |
| | | | | G-0 | H-0 | H-1 | H-2 | J-0 K-0 |
| 1 | CONDENSER SUPPORT | GS | 2A0655-01 | 1 | 1 | 1 | 1 | 1 |
| | T2 SCREW | 4X8 | 7P31-0408 | 4 | 4 | 4 | 4 | 4 |
| 2 | CONDENSER - WATER COOLED | S-0799 | 215544G02 | 1 | 1 | 1 | 1 | 1 |
| | HEX HEAD BOLT W/WASHER (LF) | 4X12 | 7B0130412 | 3 | 3 | 3 | 3 | 3 |
| 3 | REAR PANEL (B) | GS | 3A0630G01 | 1 | 1 | 1 | 1 | 1 |
| | T2 SCREW | 4X8 | 7P31-0408 | 9 | 9 | 9 | 9 | 9 |
| 4 | COMPRESSOR | RSU4-0050-CAA | 436634-01 | 1 | 1 | 1 | 1 | 1 |
| 5 | BOLT | 8 x 45 | 437889-01 | 4 | 4 | 4 | 4 | 4 |
| 6 | SPACER | 027-0072-02 | 434404-01 | 4 | 4 | 4 | 4 | 4 |
| 7 | GROMMET | 527-0039-04 | 434403-01 | 4 | 4 | 4 | 4 | 4 |
| 8 | MOTOR PROTECTOR | 071-0370-30 | 437340-01 | 1 | 1 | 1 | 1 | 1 |
| 9 | PROTECTOR HOLDER | SS | 437339-01 | 1 | 1 | 1 | 1 | 1 |
| 10 | DRIER | C-0325-S | 445007-01 | 1 | 1 | 1 | 1 | 1 |
| 11 | DRIER BRACKET | GS | 4A0807-01 | 1 | 1 | 1 | 1 | 1 |
| | T2 SCREW | 4X8 | 7P31-0408 | 2 | 2 | 2 | 2 | 2 |
| 12 | WATER REGULATOR | - | 4A0911-01 | 1 | 1 | 1 | 1 | 1 |
| | TRUSS HEAD SCRW | 4X6 | 7C31-0406 | 2 | 2 | 2 | 2 | 2 |
| 13 | MALE CONNECTOR | BRASS | 4A1087-01 | 1 | 1 | 1 | 1 | 1 |
| 14 | EXPANSION VALVE | HFE-5HHD-2 | 446461-01 | 1 | 1 | 1 | 1 | 1 |
| 15 | EVAPORATOR ASSEMBLY | - | 2A0775G01 | 1 | 1 | 1 | 1 | 1 |
| | T2 SCREW | 4X16, SS | 7P32-0416 | 4 | 4 | 4 | 4 | 4 |
| 16 | VALVE BODY | 24 | 440351-01 | 1 | 1 | 1 | 1 | 1 |
| 17 | COIL - VALVE | ADS-24HD-2 | 440355-01 | 1 | 1 | 1 | 1 | 1 |
| 18 | BOLT | - | 440355F01 | 1 | 1 | 1 | 1 | 1 |
| | TRUSS HEAD SCRW | 4X8 | 7C31-0408 | 2 | 2 | 2 | 2 | 2 |
| 19 | PRESSURE SWITCH | ACB-2UB02 | 433441-01 | 1 | 1 | 1 | 1 | 1 |
| 20 | PRESSURE SWITCH BRCKT. | GS | 434938-01 | 1 | 1 | 1 | 1 | 1 |
| | T2 SCREW | 4X8 | 7P31-0408 | 1 | 1 | 1 | 1 | 1 |
| 21 | ACCESS VALVE | TCJ-2F15-HD | 417366-01 | 2 | 2 | 2 | 2 | 2 |

| MODEL: KML-200MWE TITLE: B. REFRIGERATION CIRCUIT | | | | | | | | |
|---|--------------------------------|--------------------------|---------------------------|-----------------|-----|-----|-----|------------|
| INDEX NO. | DESCRIPTION | MATERIAL OR MODEL NUMBER | PART NUMBER | REQUIRED NUMBER | | | | |
| | | | | G-0 | H-0 | H-1 | H-2 | J-0 K-0 |
| 22 | COPPER TUBE (A) - HIGH SIDE | COPPER | 4A0986-01 | 1 | 1 | 1 | 1 | 1 |
| 23 | COPPER TUBE (B) - HIGH SIDE | COPPER | 4A0988-01 | 1 | 1 | 1 | 1 | 1 |
| 24 | COPPER TUBE (C) - HIGH SIDE | COPPER | 4A0990-01 | 1 | 1 | 1 | 1 | 1 |
| 25 | COPPER TUBE (C1) - HIGH SIDE | COPPER | 4A1334-01 | 1 | 1 | 1 | 1 | 1 |
| 26 | COPPER TUBE (D1) - HIGH SIDE | COPPER | 4A1000-01 | 1 | 1 | 1 | 1 | 1 |
| 27 | COPPER TUBE (D2) - HIGH SIDE | COPPER | 4A0992-01 | 1 | 1 | 1 | 1 | 1 |
| 28 | COPPER TUBE (E) - HIGH SIDE | COPPER | 3A0628-01 | 1 | 1 | 1 | 1 | 1 |
| 29 | STRAINER | - | 4A0397-01 | 1 | 1 | 1 | 1 | 1 |
| 30 | COPPER TUBE (A) - HOT GAS | COPPER | 3A0770-01 | 1 | 1 | 1 | 1 | 1 |
| 31 | TEE | COPPER | 436000-06 | 1 | 1 | 1 | 1 | 1 |
| 32 | EVACUATION TUBE | COPPER | 4A1212-01 | 2 | 2 | 2 | 2 | 2 |
| 33 | TEE | COPPER | 436000-13 | 1 | 1 | 1 | 1 | 1 |
| 34 | COPPER TUBE (B) - HOT GAS | COPPER | 2A0832-01 | 1 | 1 | 1 | 1 | 1 |
| 35 | TEE | COPPER | 431618-01 | 1 | 1 | 1 | 1 | 1 |
| 36 | TEE | COPPER | 436000-08 | 1 | 1 | 1 | 1 | 1 |
| 37 | TEE | COPPER | 436000-05 | 1 | 1 | 1 | 1 | 1 |
| 38 | COPPER TUBE (A) - LOW SIDE | COPPER | 4A1183-01 | 1 | 1 | 1 | 1 | 1 |
| 39 | ELBOW | COPPER | 4A1059-01 | 1 | 1 | 1 | 1 | 1 |
| 40 | ELBOW | COPPER | 417395-03 | 1 | 1 | 1 | 1 | 1 |
| 41 | COPPER TUBE - LOW SIDE | COPPER | 2A0682-01 | 1 | 1 | 1 | 1 | 1 |
| 42 | COPPER TUBE (A) - ACCESS VALVE | COPPER | 4A1009-01 | 1 | 1 | 1 | 1 | 1 |
| 43 | COPPER TUBE (B) - ACCESS VALVE | COPPER | 4A1010-01 | 1 | 1 | 1 | 1 | 1 |
| 44 | COPPER TUBE (A) | COPPER | 3A0626G01 | 1 | 1 | 1 | 1 | 1 |
| | T2 SCREW | 4X8 | 7P32-0408 | 2 | 2 | 2 | 2 | 2 |
| 45 | COPPER TUBE (B) | COPPER | 3A0627G01 | 1 | 1 | 1 | 1 | 1 |
| 46 | HOLDER / EXPANSION VALVE - 3/8 | SS | 3A0107-01 | 1 | 1 | 1 | 1 | 1 |
| 47 | CLAMP | SS | 443461-02 | 1 | 1 | 1 | 1 | 1 |
| 48 | EXPANSION VALVE COVER (A) | PE FOAM | 322621-01 | 1 | 1 | 1 | 1 | 1 |
| 49 | EXPANSION VALVE COVER (B) | PE FOAM | 322621-02 | 1 | 1 | 1 | 1 | 1 |

HA

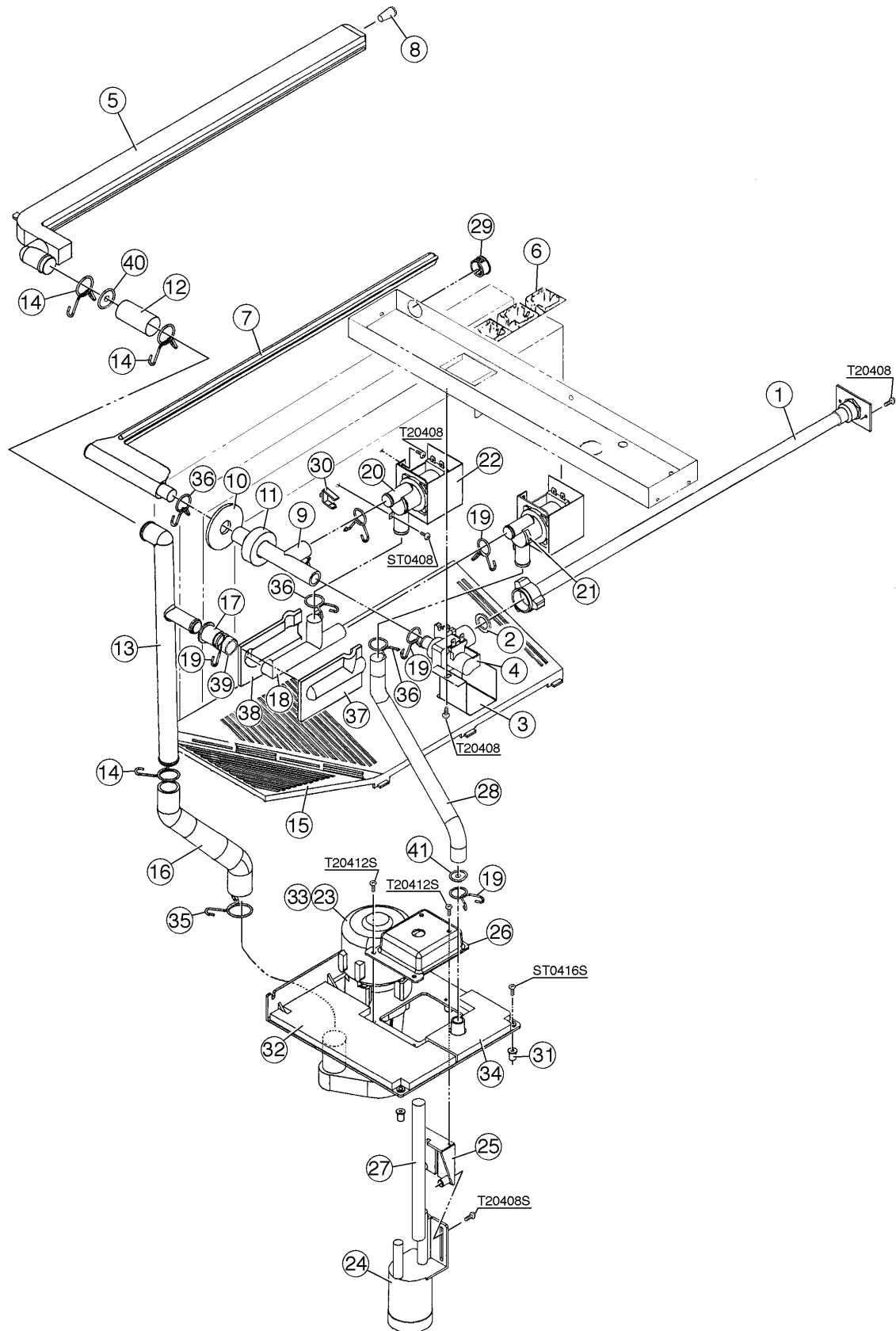
| MODEL: KML-200MWE TITLE: B. REFRIGERATION CIRCUIT | | | | | | | | |
|---|-----------------------------|--------------------------|-------------|-----------------|-----|-----|-----|------------|
| INDEX NO. | DESCRIPTION | MATERIAL OR MODEL NUMBER | PART NUMBER | REQUIRED NUMBER | | | | |
| | | | | G-0 | H-0 | H-1 | H-2 | J-0 K-0 |
| 50 | THERMISTOR | - | 429006-03 | 1 | 1 | 1 | 1 | 1 |
| 51 | HOLDER - THERMISTOR | COPPER | 427430-01 | 1 | 1 | 1 | 1 | 1 |
| 52 | INSULATION - THERMISTOR (A) | PE FOAM | 439368-01 | 1 | 1 | 1 | 1 | 1 |
| 53 | INSULATION - THERMISTOR (B) | PE FOAM | 439368-02 | 1 | 1 | 1 | 1 | 1 |
| 54 | INSULATED RUBBER TUBE | EPDM | 4A1008G01 | 1 | 1 | 1 | 1 | 1 |
| 55 | FRAME (A) | GS | 2A0645-01 | 1 | 1 | 1 | 1 | 1 |
| | T2 SCREW | 4X8 | 7P32-0408 | 4 | 4 | 4 | 4 | 4 |
| 56 | FRAME (B) | GS | 3A0595-01 | 1 | 1 | 1 | 1 | 1 |
| | T2 SCREW | 4X8 | 7P32-0408 | 4 | 4 | 4 | 4 | 4 |
| 57 | CABLE TIE | CV-200 | 7920-0010 | 15 | 15 | 15 | 15 | 15 |
| 58 | LINE VALVE BRACKET | GS | 438213-01 | 1 | 1 | 1 | 1 | 1 |
| 59 | INSULATION TUBE | L=110 | 7762-1030 | 1 | 1 | 1 | 1 | x1 |
| | | L=140 | 7762-1030 | | | | | o1 |
| 60 | INSULATION TUBE | L=580 | 7762-1330 | 1 | 1 | 1 | 1 | 1 |
| 61 | INSULATION TUBE | L=330 | 7762-1330 | 1 | 1 | 1 | 1 | 1 |
| 62 | INSULATION TUBE | L=140 | 7762-2943 | 1 | 1 | 1 | 1 | 1 |
| 63 | INSULATION TUBE | L=30 | 7762-1020 | 3 | 3 | 3 | 3 | 3 |
| 64 | INSULATION TUBE | L=670 | 7762-1323 | 1 | 1 | 1 | 1 | 1 |
| 65 | INSULATION TUBE | L=60 | 7762-2943 | 1 | 1 | 1 | 1 | 1 |
| 66 | INSULATION TUBE | L=100 | 7762-1020 | | | | 2 | 2 |
| | | | | | | | | |
| | | | | | | | | |
| | | | | | | | | |
| | | | | | | | | |
| | | | | | | | | |
| | | | | | | | | |
| | | | | | | | | |
| | | | | | | | | |
| | | | | | | | | |
| | | | | | | | | |

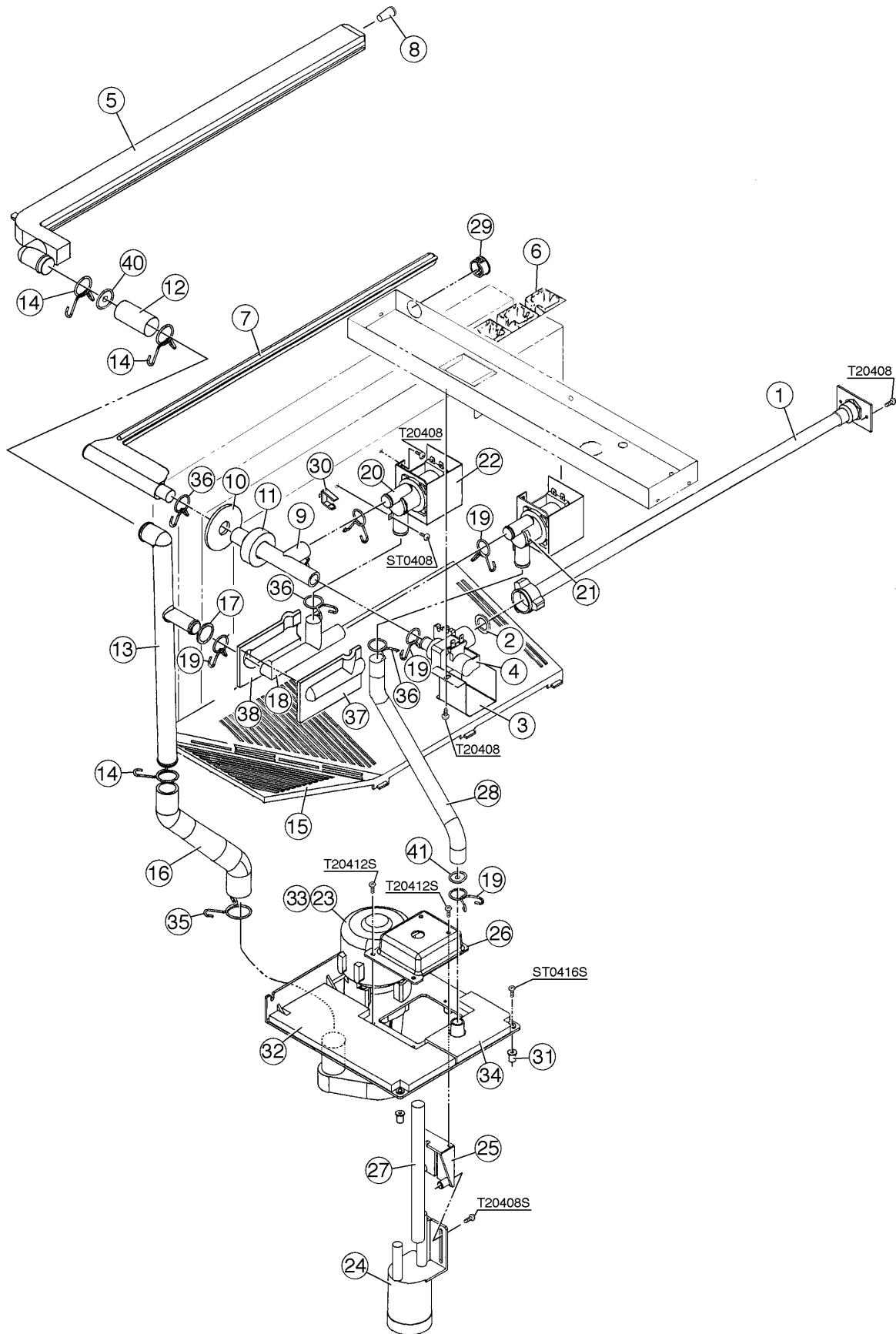
HA

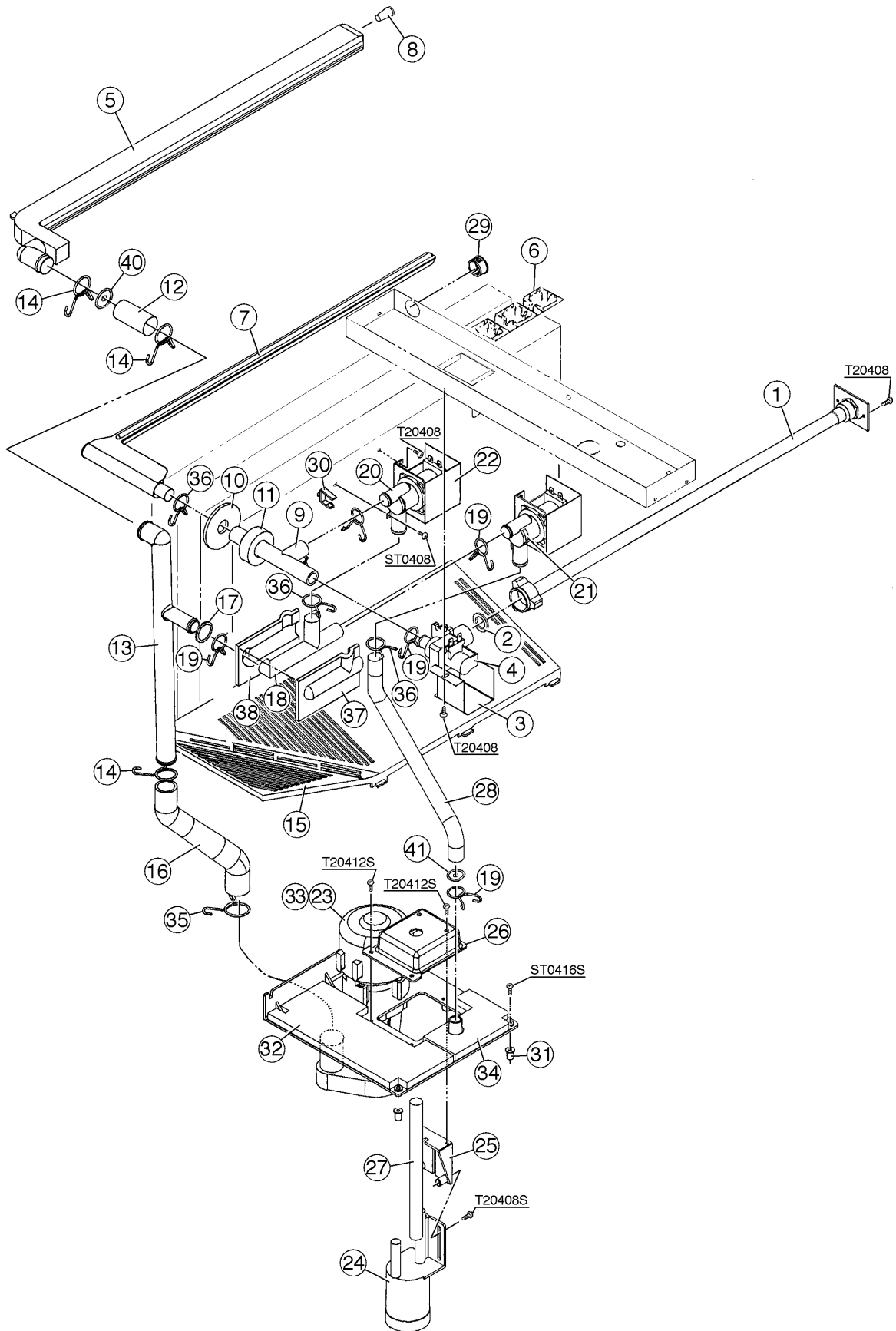
KML-200MAE, MWE

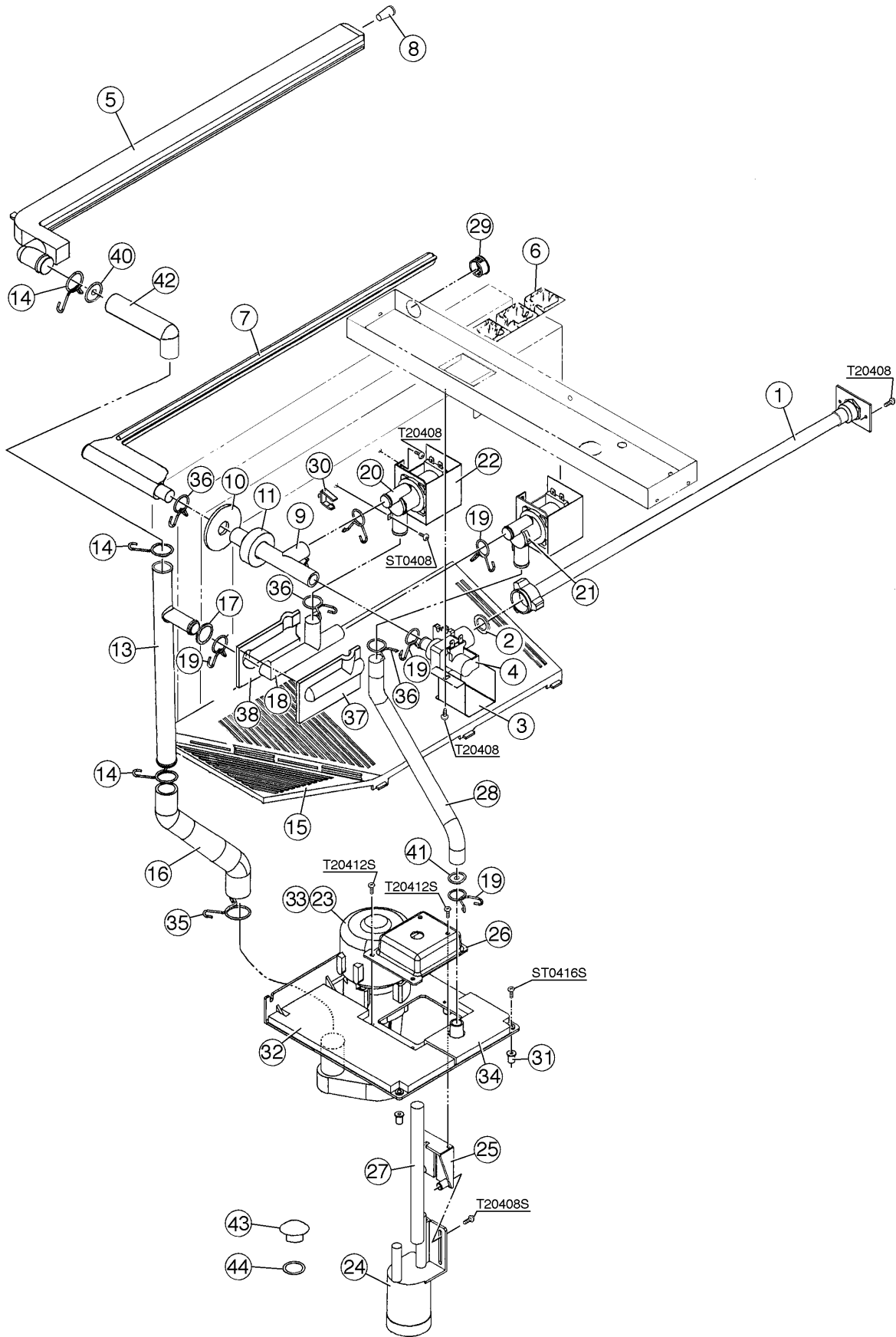
C. WATER CIRCUIT

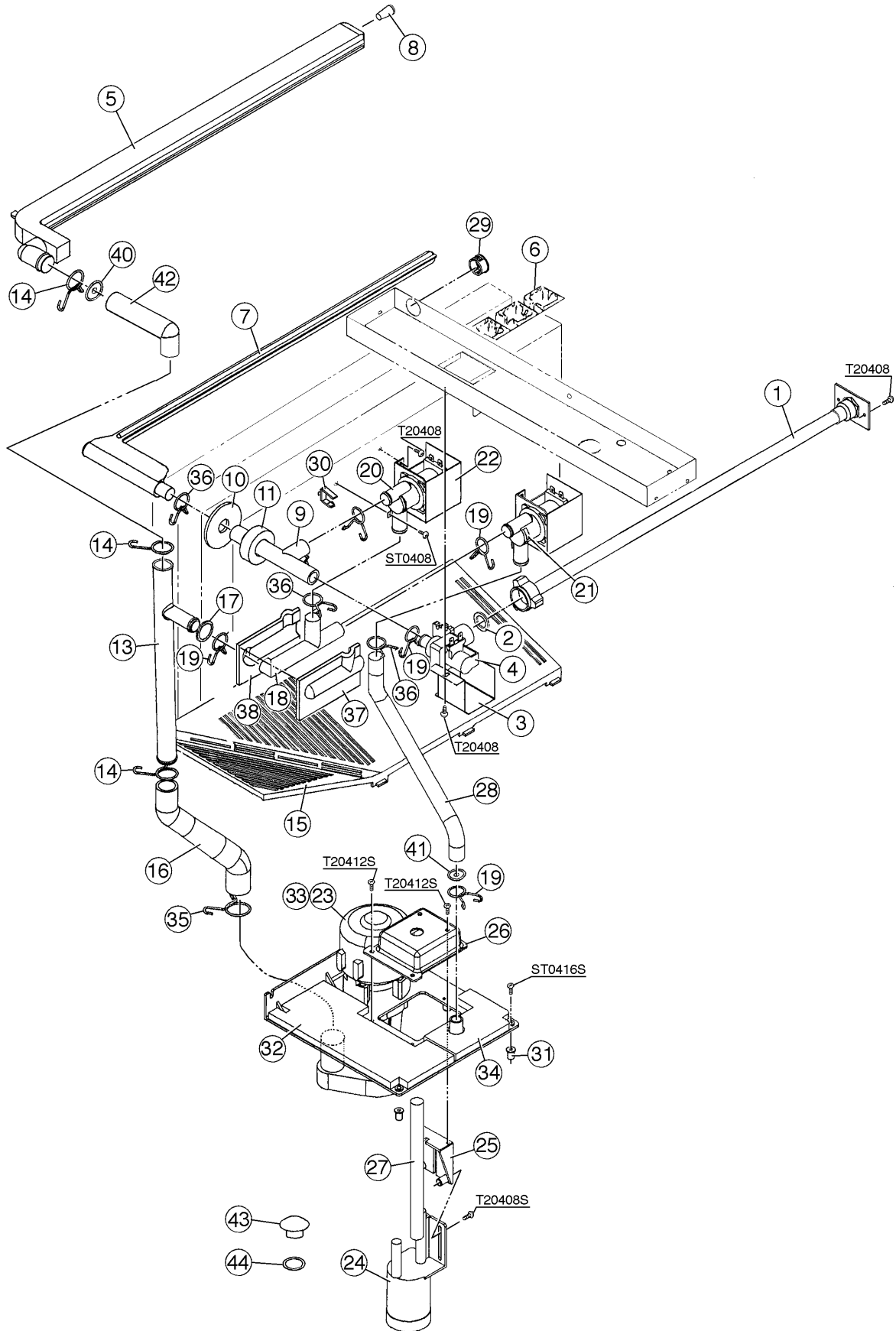
G-0, H-0, H-1









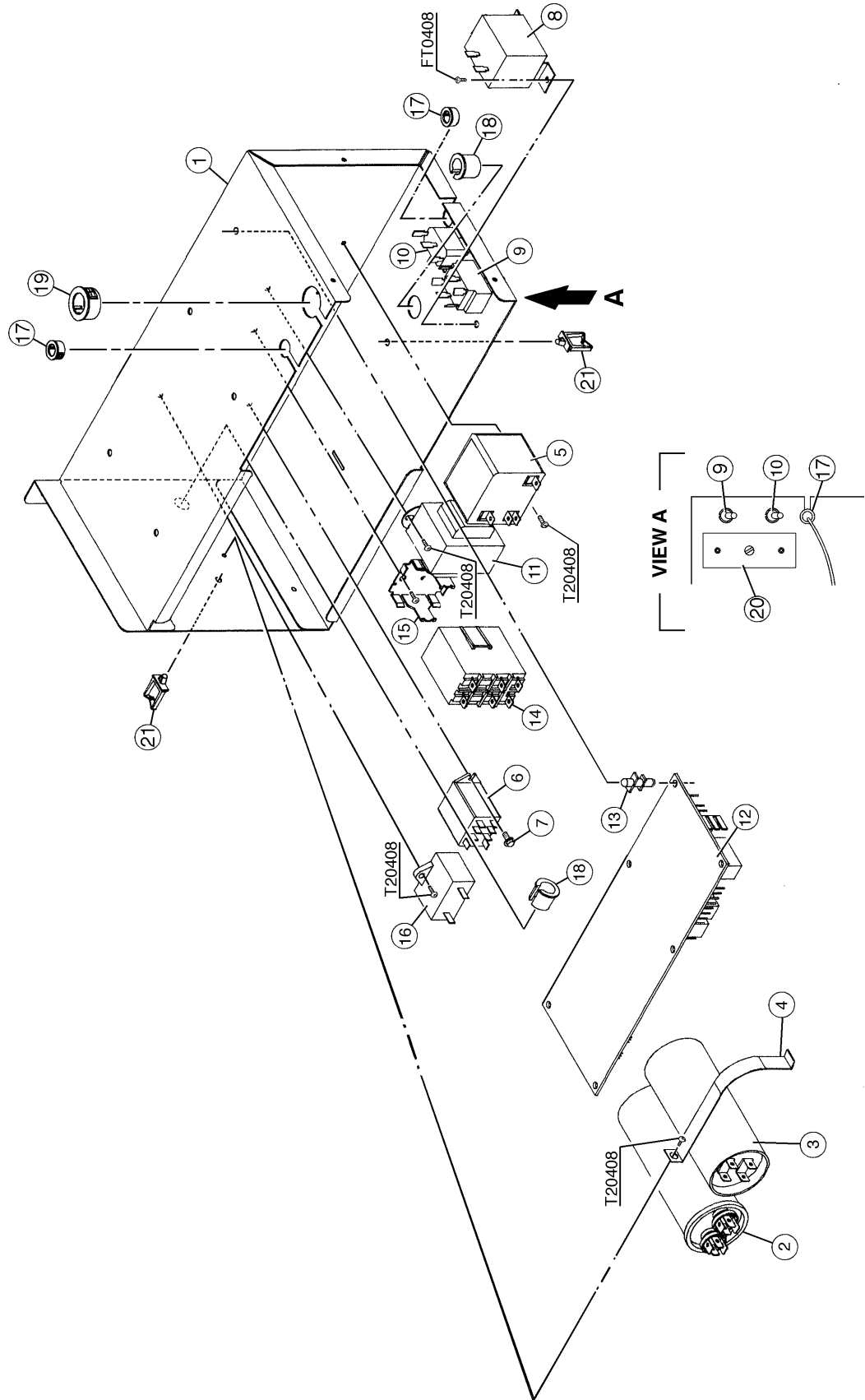


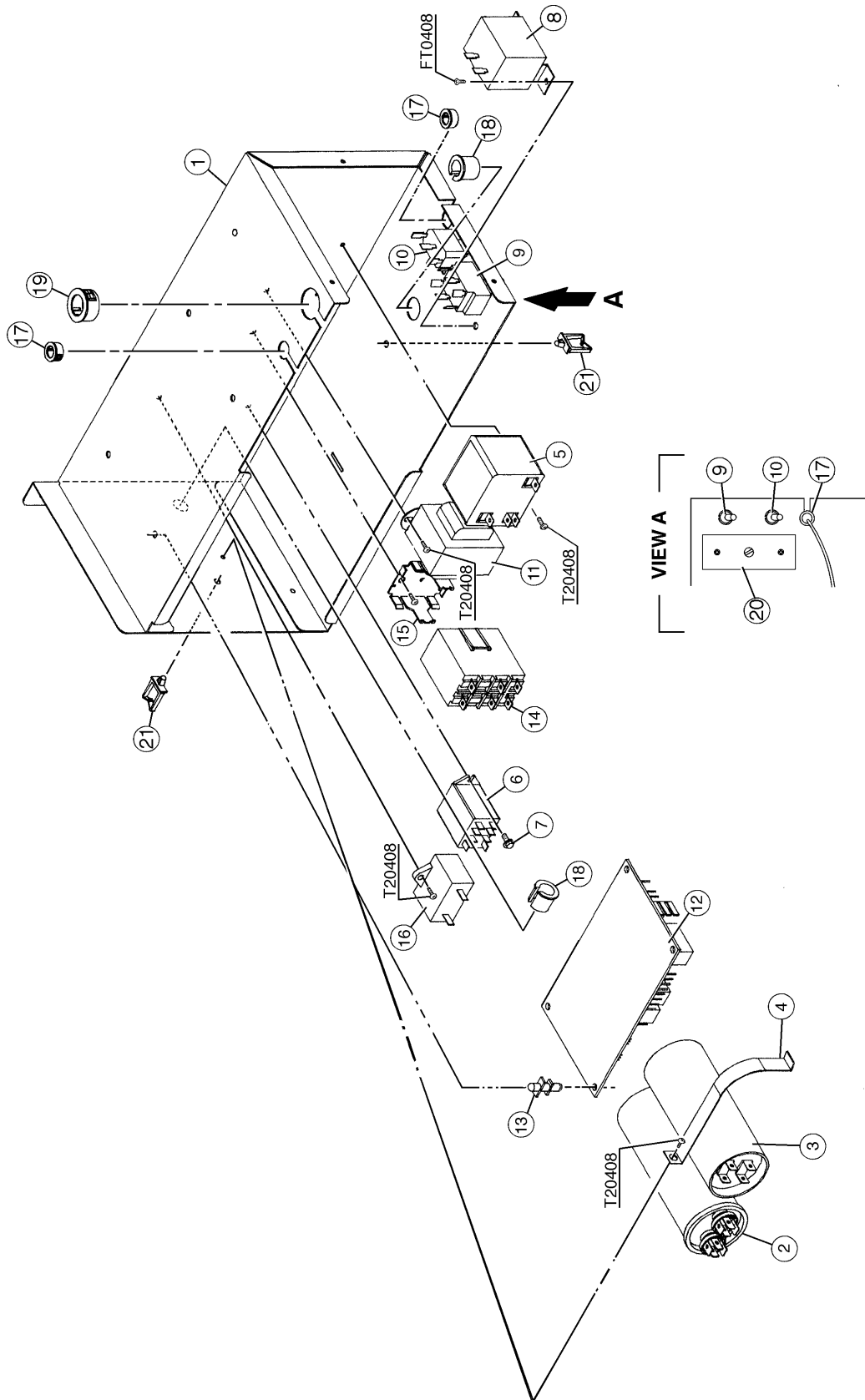
| MODEL: KML-200MAE TITLE: C. WATER CIRCUIT | | | | | | | | |
|---|---------------------|--------------------------|-------------|-----------------|-----|-----|-----|---|
| INDEX NO. | DESCRIPTION | MATERIAL OR MODEL NUMBER | PART NUMBER | REQUIRED NUMBER | | | | |
| | | | | G-0 | H-0 | H-1 | H-2 | J00786C- J00636M- J00785B J01485L K-0 |
| 1 | WATER SUPPLY PIPE | COPPER | 4A0768G01 | 1 | 1 | 1 | 1 | - |
| | | COPPER | 4A0768G04 | | | | | 1 |
| | T2 SCREW | 4X8 | 7P31-0408 | 2 | 2 | 2 | 2 | 2 |
| 2 | RUBBER GASKET | NR | 413854-03 | 1 | 1 | 1 | 1 | 1 |
| 3 | WATER VALVE BRACKET | GS | 321443-01 | 1 | 1 | 1 | 1 | 1 |
| | T2 SCREW | 4X8 | 7P31-0408 | 1 | 1 | 1 | 1 | 1 |
| 4 | WATER VALVE | J248-647 | 3U0150-01 | 1 | 1 | 1 | 1 | 1 |
| 5 | SPRAY TUBE | PE | 1A0133-02 | 1 | x1 | 1 | 1 | 1 |
| | | PE | 1A0222-02 | | o1 | 1 | 1 | 1 |
| 6 | SPRAY GUIDE (A) | PE | 208586-01 | 6 | 6 | 6 | 6 | 6 |
| 7 | WATER SUPPLY TUBE | PE | 2A0560-01 | 1 | 1 | 1 | 1 | 1 |
| 8 | PLUG | EPDM | 4A0176-01 | 1 | 1 | 1 | 1 | 1 |
| 9 | WATER SUPPLY TEE | SANTOPRENE | 4A1006-01 | 1 | 1 | 1 | 1 | 1 |
| 10 | FLANGE | EPDM | 439267-01 | 1 | 1 | 1 | 1 | 1 |
| 11 | INSULATION (E) | PE FOAM | 4A0392-01 | 1 | 1 | 1 | 1 | 1 |
| 12 | VINYL HOSE | L=50 | 7716-2025 | 1 | 1 | 1 | 1 | - |
| 13 | CONNECTING PIPE | PE | 3A0611-01 | 1 | 1 | 1 | 1 | - |
| | | - | 3A1335-01 | | | | | 1 |
| 14 | HOSE CLAMP | SS, 25 mm | 427443-03 | 3 | 3 | 3 | 3 | 3 |
| 15 | CUBE GUIDE (A) | ABS | 2A0660-01 | 1 | 1 | 1 | 1 | 1 |
| 16 | PUMP HOSE | EPDM | 4A1007-01 | 1 | 1 | 1 | 1 | 1 |
| 17 | RUBBER RING | SANTOPRENE | 4A1004-01 | 1 | 1 | 1 | 1 | 1 |
| 18 | BYPASS HOSE | SANTOPRENE | 4A1005-01 | 1 | 1 | 1 | 1 | 1 |
| 19 | HOSE CLAMP | SS, 18 mm | 427443-05 | 5 | 5 | 5 | 5 | 5 |
| 20 | SOLENOID VALVE | 207CB-GS1873 | 439322-01 | 2 | 2 | 2 | 2 | 2 |
| | TRUSS HEAD SCREW | 4X8 | 7C31-0408 | 2 | 2 | 2 | 2 | 2 |
| 21 | ARROW LABEL | PES | 4A0096-01 | 1 | 1 | 1 | 1 | 1 |
| 24 | FLOAT SWITCH | 163795 | 4A0886-01 | 1 | 1 | 1 | 1 | 1 |

| MODEL: KML-200MAE TITLE: C. WATER CIRCUIT | | | | | | | | |
|---|-------------------------------|--------------------------|-------------|-----------------|-----|-----|-----|---|
| INDEX NO. | DESCRIPTION | MATERIAL OR MODEL NUMBER | PART NUMBER | REQUIRED NUMBER | | | | |
| | | | | G-0 | H-0 | H-1 | H-2 | J00786C- J00636M- J00785B J01485L K-0 |
| 22 | SOLENOID COVER | GS | 4A0996-01 | 2 | 2 | 2 | 2 | 2 |
| | T2 SCREW | 4X8 | 7P31-0408 | 4 | 4 | 4 | 4 | 4 |
| 23 | PUMP | - | 2A0749-01 | 1 | 1 | 1 | 1 | 1 |
| | TRUSS HEAD SCREW | 4X8, SS | 7C32-0408 | 4 | 4 | 4 | 4 | 4 |
| 24 | FLOAT SWITCH | 163795 | 4A0886-01 | 1 | 1 | 1 | 1 | 1 |
| 25 | FLOAT SWITCH BRACKET | ABS | 327757-01 | 1 | 1 | 1 | 1 | 1 |
| | T2 SCREW | 4X12, SS | 7P32-0412 | 2 | 2 | 2 | 2 | 2 |
| 26 | FLOAT SWITCH COVER | ABS | 3A0665-01 | 1 | 1 | 1 | 1 | 1 |
| | T2 SCREW | 4X12, SS | 7P32-0412 | 3 | 3 | 3 | 3 | 3 |
| 27 | VINYL HOSE | L=150 | 7716-1216 | 1 | 1 | 1 | 1 | 1 |
| 28 | SILICONE HOSE | L=275 | 7730-1519 | 1 | 1 | 1 | 1 | 1 |
| 29 | BUSHING | OCB-875 | 428394-04 | 1 | 1 | 1 | 1 | 1 |
| 30 | WIRE SADDLE | VWS4238-C | 4A0338-02 | 8 | 8 | 8 | 8 | 8 |
| 31 | WELL NUT | 347011 | 4A1070-01 | 2 | 2 | 2 | 2 | 2 |
| 32 | INSULATION (A) - PUMP BRACKET | PE FOAM | 4A1052-01 | 1 | 1 | 1 | 1 | 1 |
| 33 | TOOTH WASHER | ZINC, M4 | 7R21-0400 | 1 | 1 | 1 | 1 | 1 |
| | T2 SCREW | 4X8 | 7P31-0408 | 1 | 1 | 1 | 1 | 1 |
| 34 | INSULATION (B) - PUMP BRACKET | PE FOAM | 4A1053-01 | 1 | 1 | 1 | 1 | 1 |
| 35 | HOSE CLAMP | SS, 27 mm | 427443-08 | 1 | 1 | 1 | 1 | 1 |
| 36 | HOSE CLAMP | SS, 20 mm | 427443-06 | 3 | 3 | 3 | 3 | 3 |
| 37 | BYPASS HOSE INSULATION (A1) | NP | 4A1259-01 | 1 | 1 | 1 | 1 | 1 |
| 38 | BYPASS HOSE INSULATION (A2) | NP | 4A1260-01 | 1 | 1 | 1 | 1 | 1 |
| 39 | INSULATION HOSE | L=25 | 7762-2030 | 1 | 1 | 1 | - | |
| 40 | RESTRICTION WASHER | ABS | 4A1148-01 | 1 | 1 | 1 | 1 | 1 |
| 41 | DRAIN RESTRICTOR | ABS | 4A1198-01 | 1 | 1 | 1 | 1 | 1 |
| 42 | ELBOW | - | 4A0393-01 | | | | | 1 |
| 43 | DRAIN | - | 309246-01 | | | | | 1 |
| 44 | O-RING | - | 7611-P015 | | | | | 1 |

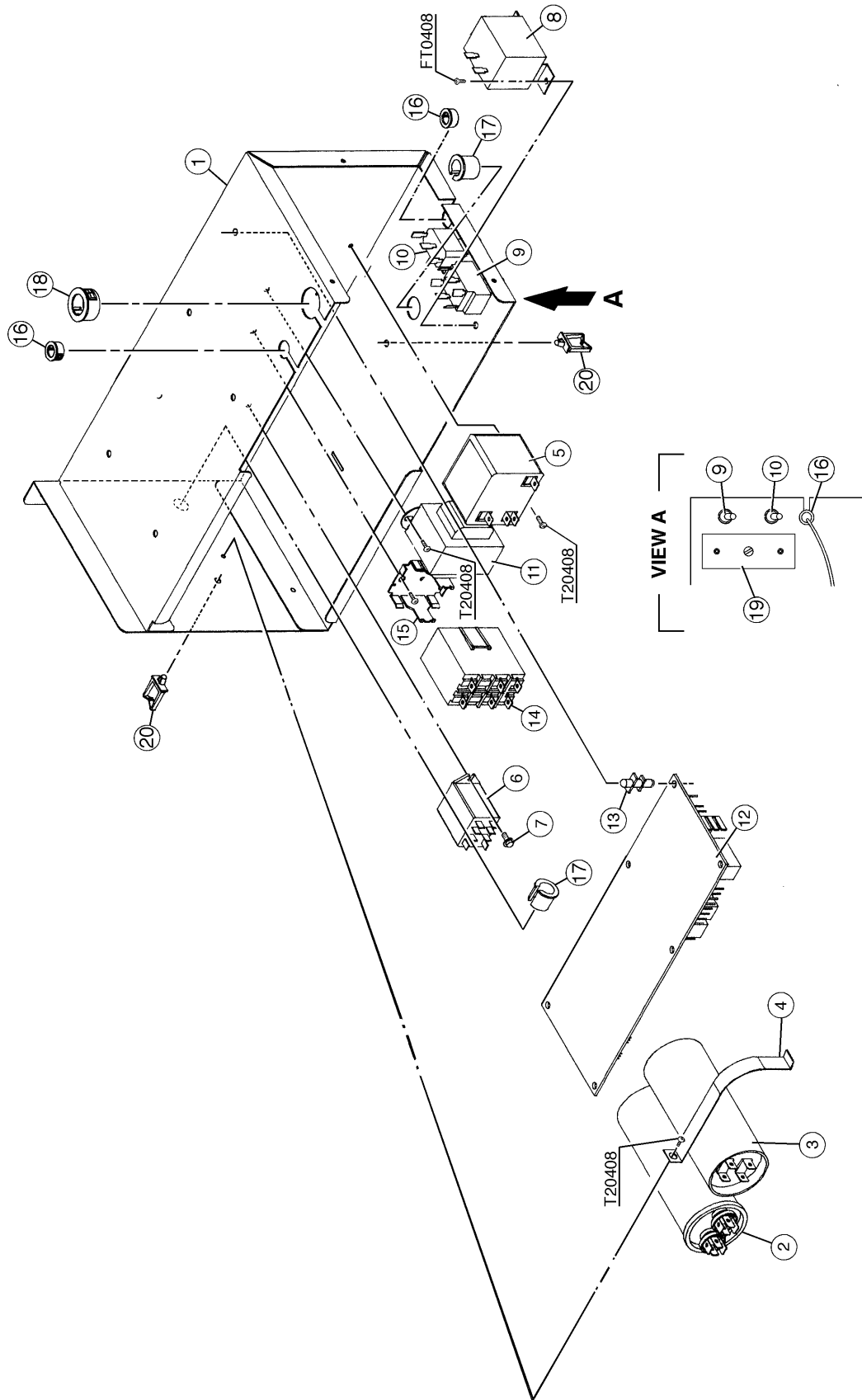
| MODEL: KML-200MWE TITLE: C. WATER CIRCUIT | | | | | | | | |
|---|---------------------|--------------------------|-------------|-----------------|-----|-----|-----|---|
| INDEX NO. | DESCRIPTION | MATERIAL OR MODEL NUMBER | PART NUMBER | REQUIRED NUMBER | | | | |
| | | | | G-0 | H-0 | H-1 | H-2 | J00296D- J00196M- J00295B J00425J K-0 |
| 1 | WATER SUPPLY PIPE | COPPER | 4A0768G01 | 1 | 1 | 1 | 1 | - |
| | | COPPER | 4A0768G04 | | | | | 1 |
| | T2 SCREW | 4X8 | 7P31-0408 | 2 | 2 | 2 | 2 | 2 |
| 2 | RUBBER GASKET | NR | 413854-03 | 1 | 1 | 1 | 1 | 1 |
| 3 | WATER VALVE BRACKET | GS | 321443-01 | 1 | 1 | 1 | 1 | 1 |
| | T2 SCREW | 4X8 | 7P31-0408 | 1 | 1 | 1 | 1 | 1 |
| 4 | WATER VALVE | J248-647 | 3U0150-01 | 1 | 1 | 1 | 1 | 1 |
| 5 | SPRAY TUBE | PE | 1A0133-02 | 1 | x1 | 1 | 1 | 1 |
| | | PE | 1A0222-02 | | o1 | 1 | 1 | 1 |
| 6 | SPRAY GUIDE (A) | PE | 208586-01 | 6 | 6 | 6 | 6 | 6 |
| 7 | WATER SUPPLY TUBE | PE | 2A0560-01 | 1 | 1 | 1 | 1 | 1 |
| 8 | PLUG | EPDM | 4A0176-01 | 1 | 1 | 1 | 1 | 1 |
| 9 | WATER SUPPLY TEE | SANTOPRENE | 4A1006-01 | 1 | 1 | 1 | 1 | 1 |
| 10 | FLANGE | EPDM | 439267-01 | 1 | 1 | 1 | 1 | 1 |
| 11 | INSULATION (E) | PE FOAM | 4A0392-01 | 1 | 1 | 1 | 1 | 1 |
| 12 | VINYL HOSE | L=50 | 7716-2025 | 1 | 1 | 1 | 1 | - |
| 13 | CONNECTING PIPE | PE | 3A0611-01 | 1 | 1 | 1 | 1 | - |
| | | - | 3A1335-01 | | | | | 1 |
| 14 | HOSE CLAMP | SS, 25 mm | 427443-03 | 3 | 3 | 3 | 3 | 3 |
| 15 | CUBE GUIDE (A) | ABS | 2A0660-01 | 1 | 1 | 1 | 1 | 1 |
| 16 | PUMP HOSE | EPDM | 4A1007-01 | 1 | 1 | 1 | 1 | 1 |
| 17 | RUBBER RING | SANTOPRENE | 4A1004-01 | 1 | 1 | 1 | 1 | 1 |
| 18 | BYPASS HOSE | SANTOPRENE | 4A1005-01 | 1 | 1 | 1 | 1 | 1 |
| 19 | HOSE CLAMP | SS, 18 mm | 427443-05 | 5 | 5 | 5 | 5 | 5 |
| 20 | SOLENOID VALVE | 207CB-GS1873 | 439322-01 | 2 | 2 | 2 | 2 | 2 |
| | TRUSS HEAD SCREW | 4X8 | 7C31-0408 | 2 | 2 | 2 | 2 | 2 |
| 21 | ARROW LABEL | PES | 4A0096-01 | 1 | 1 | 1 | 1 | 1 |
| 24 | FLOAT SWITCH | 163795 | 4A0886-01 | 1 | 1 | 1 | 1 | 1 |

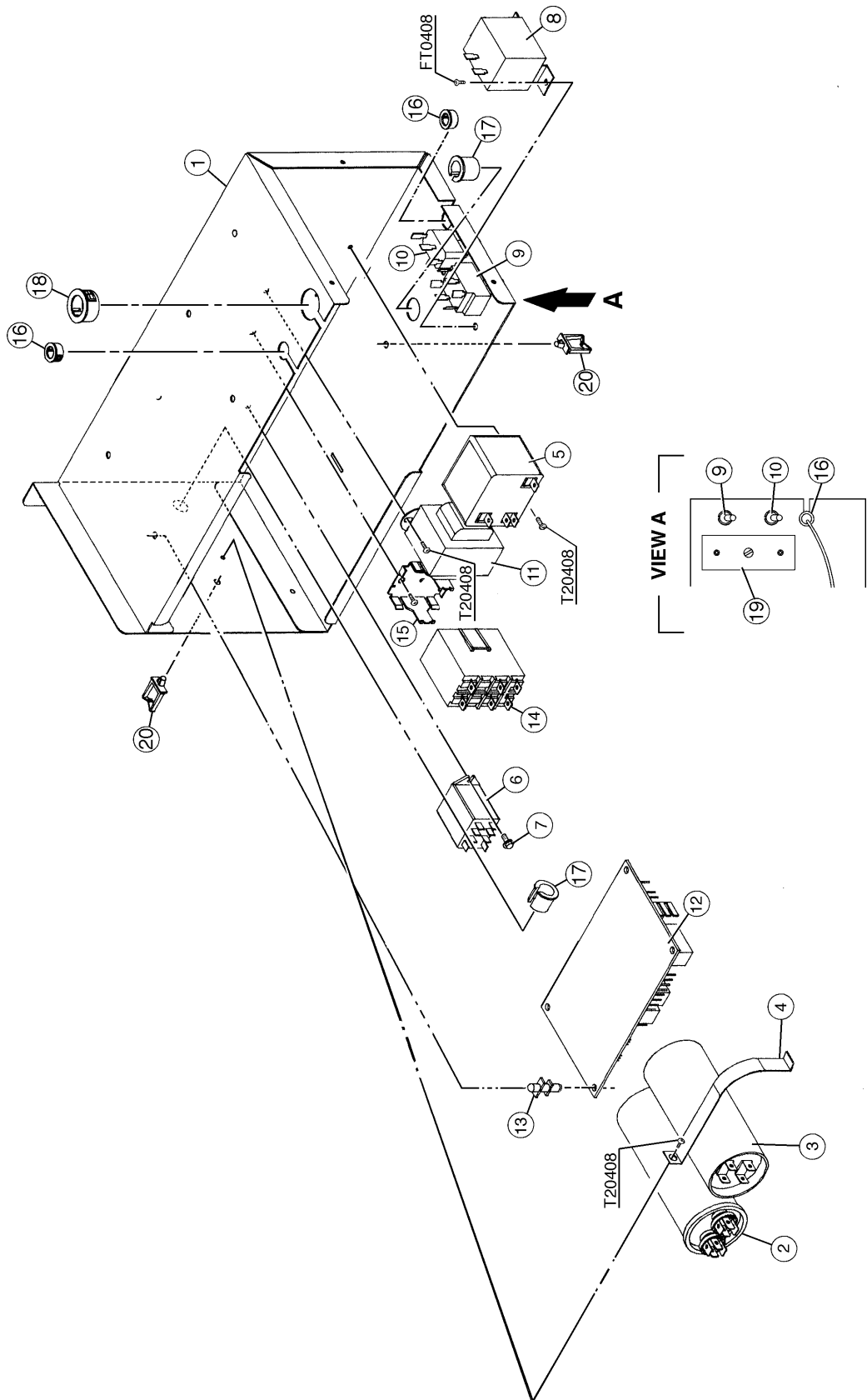
| MODEL: KML-200MWE TITLE: C. WATER CIRCUIT | | | | | | | | |
|---|-------------------------------|--------------------------|-------------|-----------------|-----|-----|-----|---|
| INDEX NO. | DESCRIPTION | MATERIAL OR MODEL NUMBER | PART NUMBER | REQUIRED NUMBER | | | | |
| | | | | G-0 | H-0 | H-1 | H-2 | J00296D- J00196M- J00295B J00425J K-0 |
| 22 | SOLENOID COVER | GS | 4A0996-01 | 2 | 2 | 2 | 2 | 2 |
| | T2 SCREW | 4X8 | 7P31-0408 | 4 | 4 | 4 | 4 | 4 |
| 23 | PUMP | - | 2A0749-01 | 1 | 1 | 1 | 1 | 1 |
| | TRUSS HEAD SCREW | 4X8, SS | 7C32-0408 | 4 | 4 | 4 | 4 | 4 |
| 24 | FLOAT SWITCH | 163795 | 4A0886-01 | 1 | 1 | 1 | 1 | 1 |
| 25 | FLOAT SWITCH BRACKET | ABS | 327757-01 | 1 | 1 | 1 | 1 | 1 |
| | T2 SCREW | 4X12, SS | 7P32-0412 | 2 | 2 | 2 | 2 | 2 |
| 26 | FLOAT SWITCH COVER | ABS | 3A0665-01 | 1 | 1 | 1 | 1 | 1 |
| | T2 SCREW | 4X12, SS | 7P32-0412 | 3 | 3 | 3 | 3 | 3 |
| 27 | VINYL HOSE | L=150 | 7716-1216 | 1 | 1 | 1 | 1 | 1 |
| 28 | SILICONE HOSE | L=275 | 7730-1519 | 1 | 1 | 1 | 1 | 1 |
| 29 | BUSHING | OCB-875 | 428394-04 | 1 | 1 | 1 | 1 | 1 |
| 30 | WIRE SADDLE | VWS4238-C | 4A0338-02 | 8 | 8 | 8 | 8 | 8 |
| 31 | WELL NUT | 347011 | 4A1070-01 | 2 | 2 | 2 | 2 | 2 |
| 32 | INSULATION (A) - PUMP BRACKET | PE FOAM | 4A1052-01 | 1 | 1 | 1 | 1 | 1 |
| 33 | TOOTH WASHER | ZINC, M4 | 7R21-0400 | 1 | 1 | 1 | 1 | 1 |
| | T2 SCREW | 4X8 | 7P31-0408 | 1 | 1 | 1 | 1 | 1 |
| 34 | INSULATION (B) - PUMP BRACKET | PE FOAM | 4A1053-01 | 1 | 1 | 1 | 1 | 1 |
| 35 | HOSE CLAMP | SS, 27 mm | 427443-08 | 1 | 1 | 1 | 1 | 1 |
| 36 | HOSE CLAMP | SS, 20 mm | 427443-06 | 3 | 3 | 3 | 3 | 3 |
| 37 | BYPASS HOSE INSULATION (A1) | NP | 4A1259-01 | 1 | 1 | 1 | 1 | 1 |
| 38 | BYPASS HOSE INSULATION (A2) | NP | 4A1260-01 | 1 | 1 | 1 | 1 | 1 |
| 39 | INSULATION HOSE | L=25 | 7762-2030 | 1 | 1 | 1 | - | |
| 40 | RESTRICTION WASHER | ABS | 4A1148-01 | 1 | 1 | 1 | 1 | 1 |
| 41 | DRAIN RESTRICTOR | ABS | 4A1198-01 | 1 | 1 | 1 | 1 | 1 |
| 42 | ELBOW | - | 4A0393-01 | | | | | 1 |
| 43 | DRAIN | - | 309246-01 | | | | | 1 |
| 44 | O-RING | - | 7611-P015 | | | | | 1 |



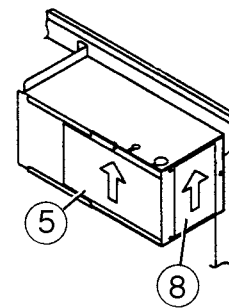
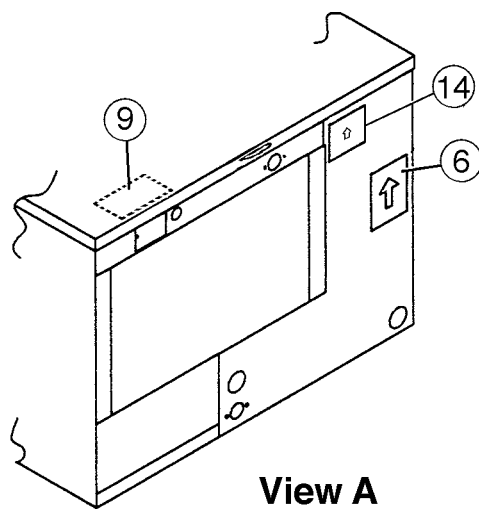
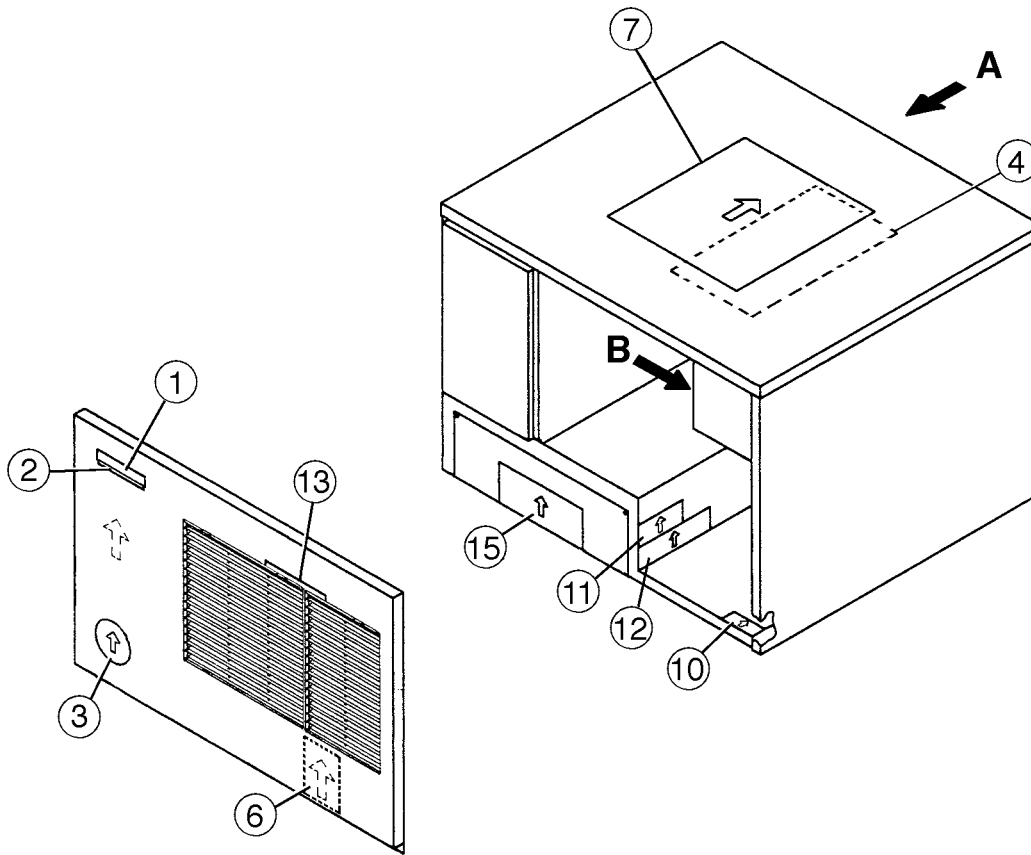


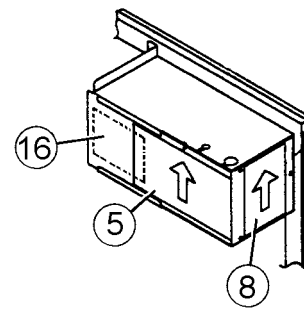
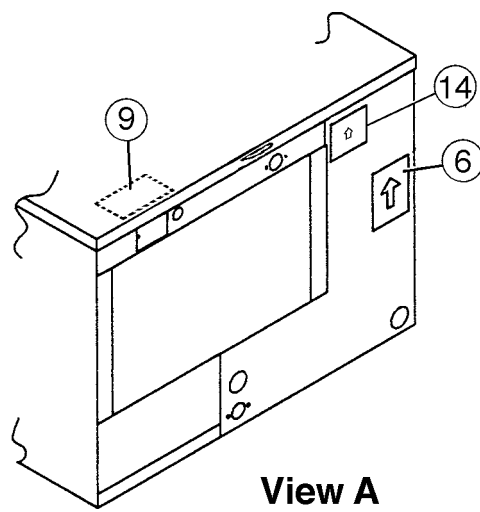
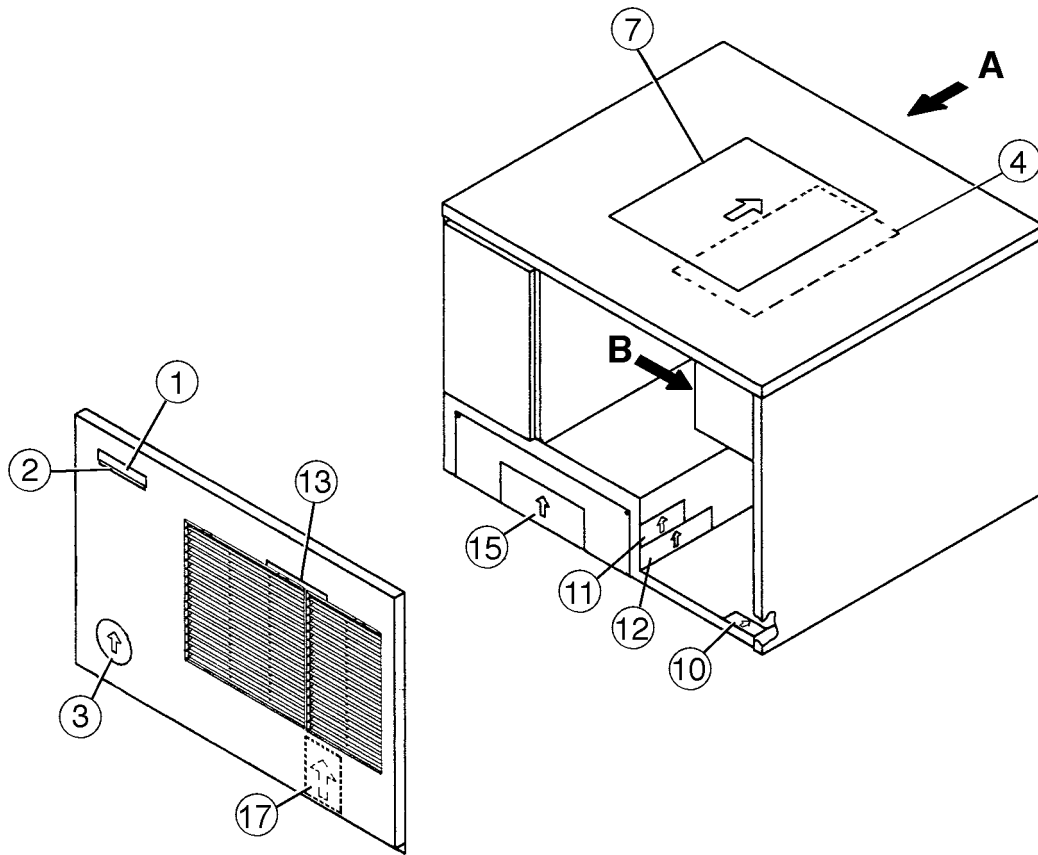
| MODEL: KML-200MAE TITLE: D. CONTROL BOX ASSEMBLY | | | | | | | | |
|--|----------------------|--------------------------|---------------------------|-----------------|-----|-----|-----|-----|
| INDEX NO. | DESCRIPTION | MATERIAL OR MODEL NUMBER | PART NUMBER | REQUIRED NUMBER | | | | |
| | | | | G-0 H-0 | H-1 | H-2 | J-0 | K-0 |
| 1 | CONTROL BOX | GS | 3A0602G01 | 1 | 1 | 1 | 1 | 1 |
| 2 | CAPACITOR | 15 \bar{r} 370 VAC | 439943-04 | 1 | 1 | 1 | 1 | 1 |
| 3 | CAPACITOR - STARTING | 270-324 \bar{r} 25V | 3A0076-04 | 1 | 1 | 1 | 1 | 1 |
| 4 | STRAP | GS | 434580-10 | 1 | 1 | 1 | x1 | |
| | | GS | 434580-11 | | | | o1 | 1 |
| | T2 SCREW | 4X8 | 7P31-0408 | 1 | 1 | 1 | 1 | 1 |
| 5 | STARTER | 040-0001-20 | 434923-01 | 1 | 1 | 1 | 1 | x1 |
| | | - | 4A1107-09 | | | | | o1 |
| | T2 SCREW | 4X8 | 7P31-0408 | 1 | 1 | 1 | 1 | 1 |
| 6 | RELAY | LY2F 120 VAC | 406132-07 | 1 | 1 | 1 | 1 | 1 |
| 7 | TAPPING SCREW | 3X8 | 431415-01 | 2 | 2 | 2 | 2 | 2 |
| 8 | THERMOSTAT | A30-3815-00 | 4A0824-01 | 1 | 1 | 1 | 1 | 1 |
| | TRUSS HEAD SCREW | 4X8 | 7C31-0408 | 2 | 2 | 2 | 2 | 2 |
| 9 | TOGGLE SWITCH | 7563K6 | 443119-01 | 1 | 1 | 1 | 1 | 1 |
| 10 | TOGGLE SWITCH | 8966K211 | 4A0985-01 | 1 | 1 | 1 | 1 | 1 |
| 11 | TRANSFORMER | 26D285H | 3A0172-01 | 1 | 1 | 1 | 1 | 1 |
| | T2 SCREW | 4X8 | 7P31-0408 | 2 | 2 | 2 | 2 | 2 |
| 12 | CONTROLLER BOARD | MY9KM910 | 2U0127-01 | 1 | - | | | |
| | | HOSHIZAKI-001 | 2A0836-01 | | 1 | x1 | | |
| | | - | 2A1410-01 | | | o1 | 1 | 1 |
| 13 | BOARD SUPPORT | CBLS37-M | 4A0336-03 | 6 | 4 | 6 | 6 | 4 |
| 14 | MAGNETIC CONTACTOR | VC20 | 428393-01 | 1 | 1 | 1 | 1 | 1 |
| 15 | BRACKET | BW 9154 | 428393F01 | 1 | 1 | 1 | 1 | 1 |
| | T2 SCREW | 4X8 | 7P31-0408 | 2 | 2 | 2 | 2 | 2 |
| 16 | CAPACITOR | 5 \bar{r} 250 VAC | 443192-02 | 1 | 1 | 1 | 1 | 1 |
| | T2 SCREW | 4X8 | 7P31-0408 | 1 | 1 | 1 | 1 | 1 |
| 17 | BUSHING | OCB-500 | 428394-02 | 2 | 2 | 2 | 2 | 2 |

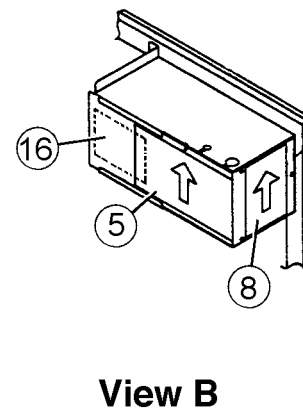
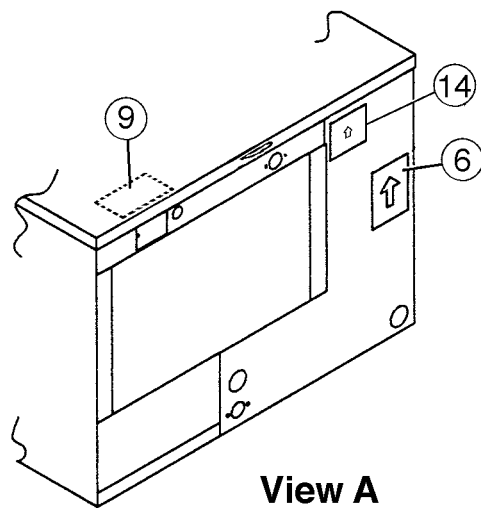
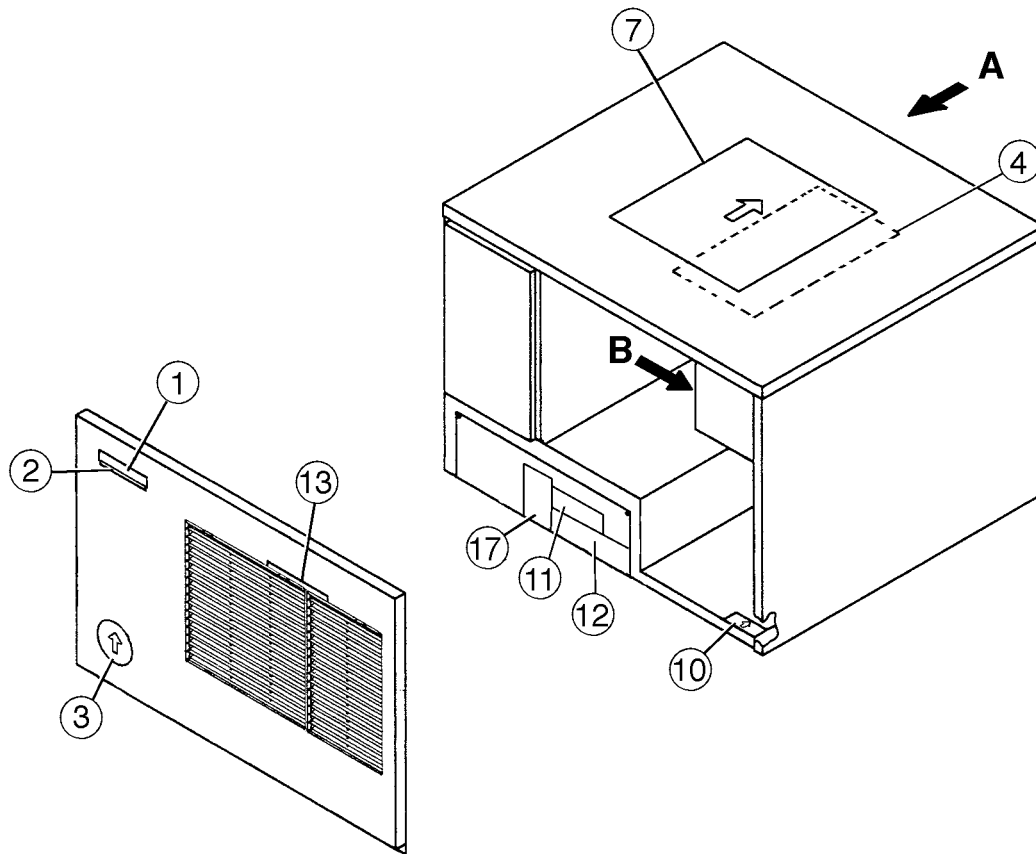




| MODEL: KML-200MWE TITLE: D. CONTROL BOX ASSEMBLY | | | | | | | | |
|--|----------------------|--------------------------|-------------|-----------------|-----|-----|-----|-----|
| INDEX NO. | DESCRIPTION | MATERIAL OR MODEL NUMBER | PART NUMBER | REQUIRED NUMBER | | | | |
| | | | | G-0 H-0 | H-1 | H-2 | J-0 | K-0 |
| 1 | CONTROL BOX | GS | 3A0602G01 | 1 | 1 | 1 | 1 | 1 |
| 2 | CAPACITOR | 157 370 VAC | 439943-04 | 1 | 1 | 1 | 1 | 1 |
| 3 | CAPACITOR - STARTING | 270-3247 25V | 3A0076-04 | 1 | 1 | 1 | 1 | 1 |
| 4 | STRAP | GS | 434580-10 | 1 | 1 | 1 | x1 | |
| | | GS | 434580-11 | | | | o1 | 1 |
| | T2 SCREW | 4X8 | 7P31-0408 | 1 | 1 | 1 | 1 | 1 |
| 5 | STARTER | 040-0001-20 | 434923-01 | 1 | 1 | 1 | 1 | x1 |
| | | - | | | | | | o1 |
| | T2 SCREW | 4X8 | 7P31-0408 | 1 | 1 | 1 | 1 | 1 |
| 6 | RELAY | LY2F 120 VAC | 406132-07 | 1 | 1 | 1 | 1 | 1 |
| 7 | TAPPING SCREW | 3X8 | 431415-01 | 2 | 2 | 2 | 2 | 2 |
| 8 | THERMOSTAT | A30-3815-00 | 4A0824-01 | 1 | 1 | 1 | 1 | 1 |
| | TRUSS HEAD SCREW | 4X8 | 7C31-0408 | 2 | 2 | 2 | 2 | 2 |
| 9 | TOGGLE SWITCH | 7563K6 | 443119-01 | 1 | 1 | 1 | 1 | 1 |
| 10 | TOGGLE SWITCH | 8966K211 | 4A0985-01 | 1 | 1 | 1 | 1 | 1 |
| 11 | TRANSFORMER | 26D285H | 3A0172-01 | 1 | 1 | 1 | 1 | 1 |
| | T2 SCREW | 4X8 | 7P31-0408 | 2 | 2 | 2 | 2 | 2 |
| 12 | CONTROLLER BOARD | MY9KM910 | 2U0127-01 | 1 | - | | | |
| | | HOSHIZAKI-001 | 2A0836-01 | | 1 | 1 | 1 | x1 |
| | | - | 2A1410-01 | | | | | o1 |
| 13 | BOARD SUPPORT | CBLS37-M | 4A0336-03 | 6 | 4 | 6 | 6 | 4 |
| 14 | MAGNETIC CONTACTOR | VC20 | 428393-01 | 1 | 1 | 1 | 1 | 1 |
| 15 | BRACKET | BW9154 | 428393F01 | 1 | 1 | 1 | 1 | 1 |
| | T2 SCREW | 4X8 | 7P31-0408 | 2 | 2 | 2 | 2 | 2 |
| 16 | BUSHING | OCB-500 | 428394-02 | 2 | 2 | 2 | 2 | 2 |
| 17 | BUSHING | OCB-625 | 428394-03 | 2 | 2 | 2 | 2 | 2 |

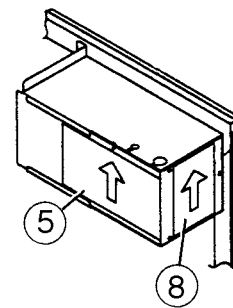
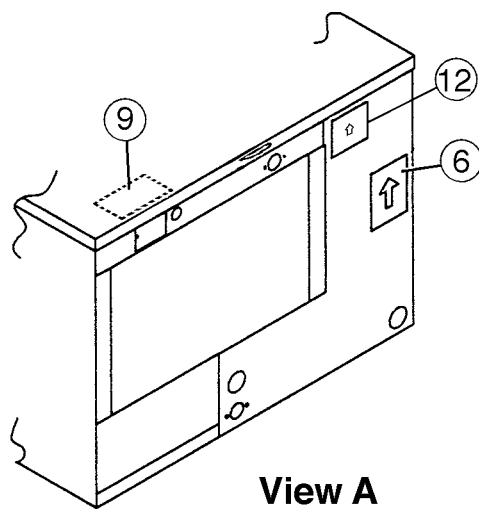
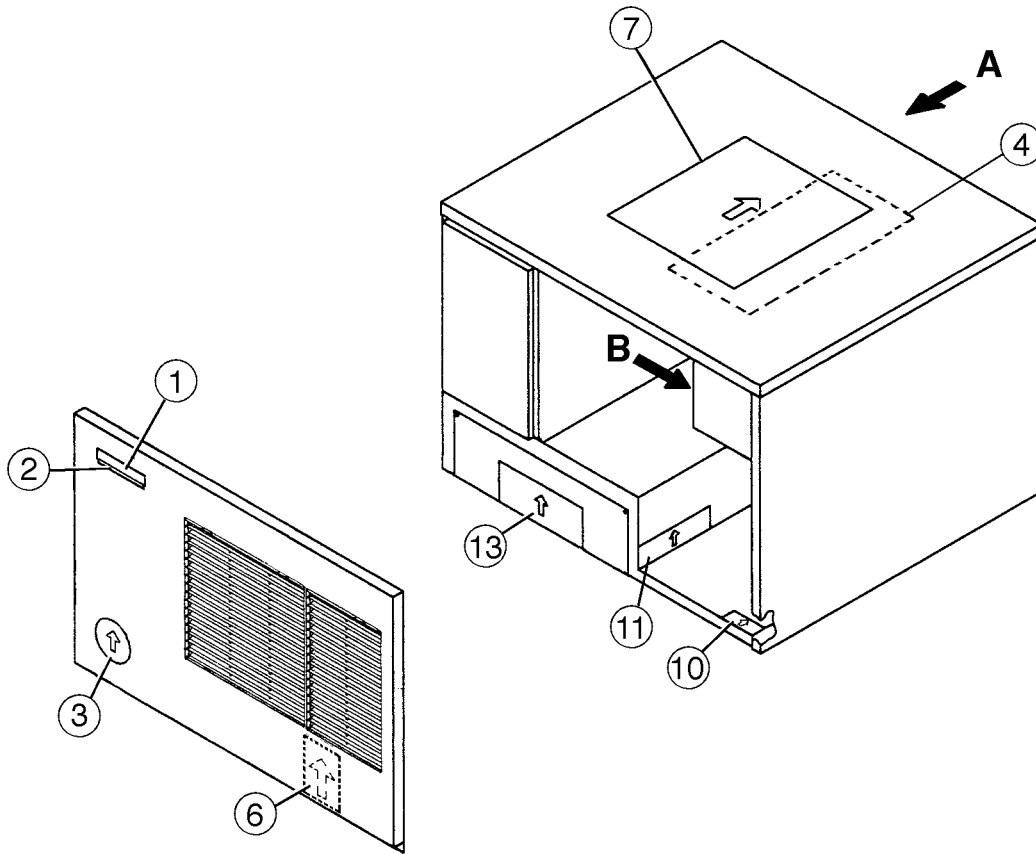


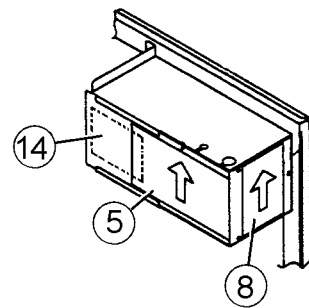
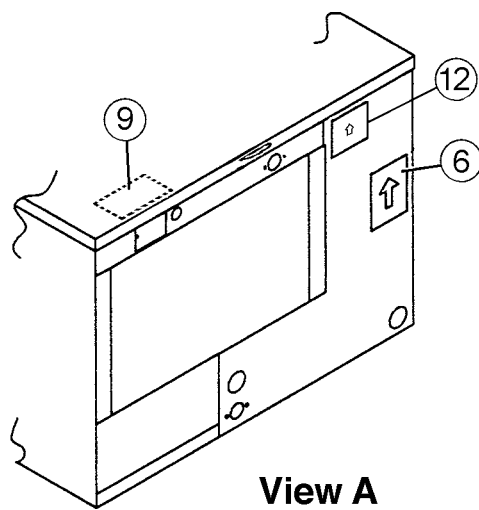
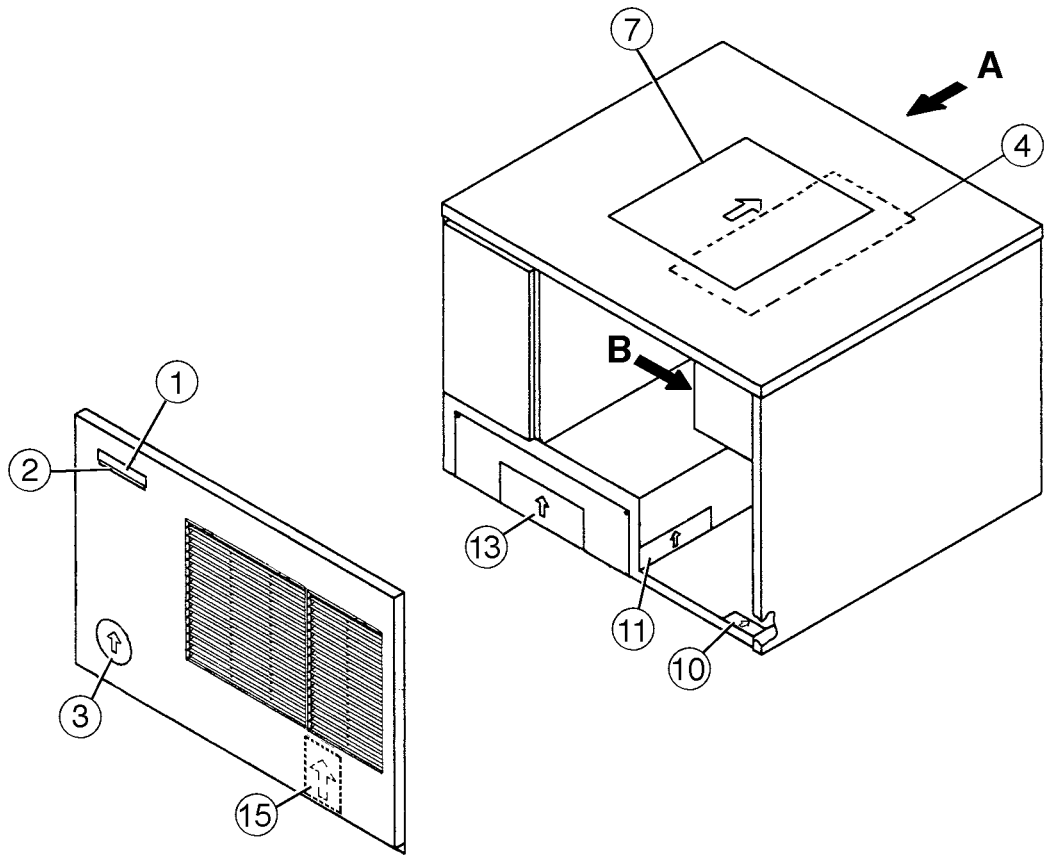


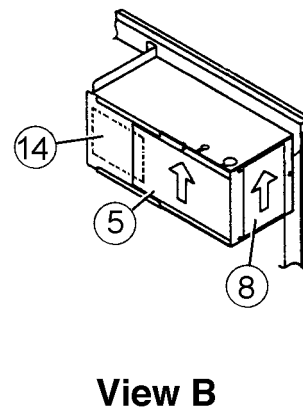
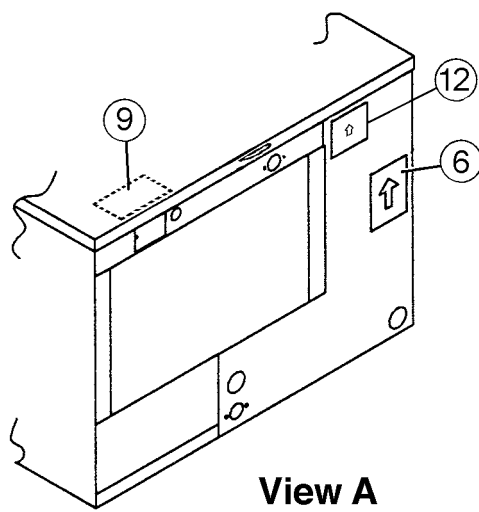
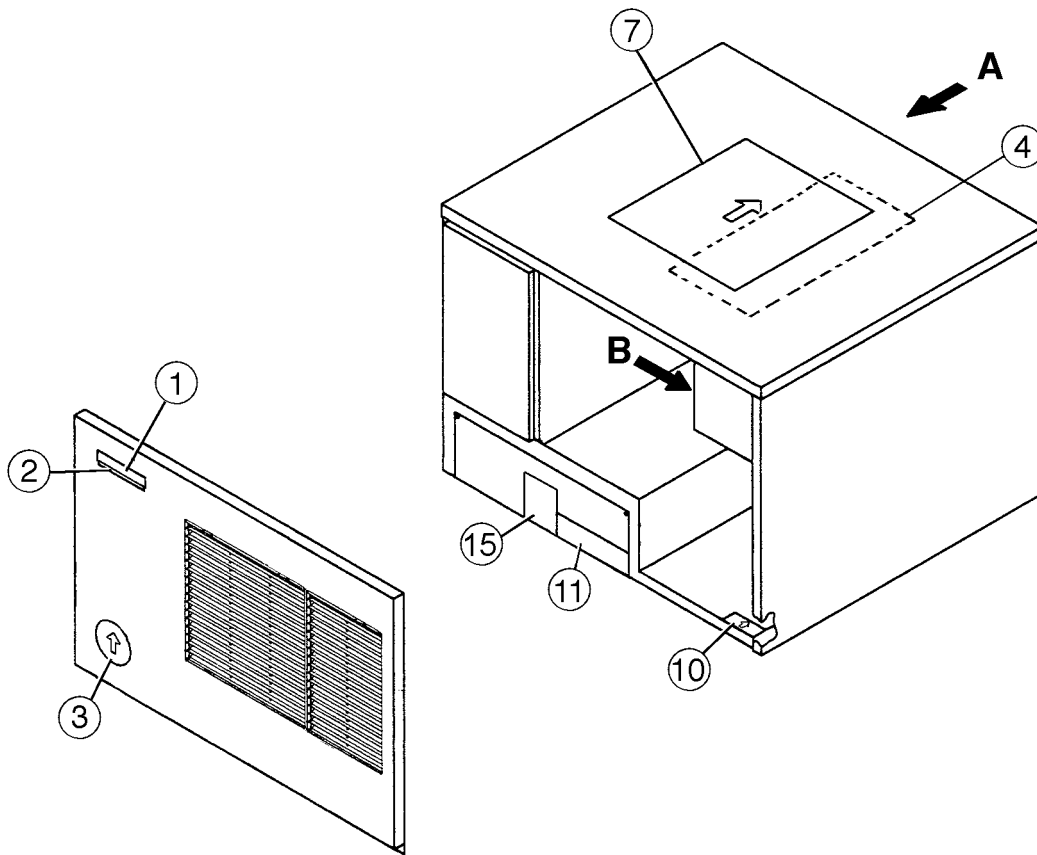


HA

| MODEL: KML-200MAE TITLE: E. LABEL LOCATION | | | | | | | | |
|--|--------------------------------------|--------------------------|-------------|-----------------|------------|---------------------|---------------------|-----|
| INDEX NO. | DESCRIPTION | MATERIAL OR MODEL NUMBER | PART NUMBER | REQUIRED NUMBER | | | | |
| | | | | G-0 H-0 | H-1 H-2 | J00636M- J00785B | J00786C- J01485L | K-0 |
| 1 | EMBLEM | PETP FILM | 4A0560-01 | 1 | 1 | 1 | 1 | 1 |
| 2 | MODEL NUMBER LABEL | PETP FILM | 443341-35 | 1 | 1 | 1 | 1 | 1 |
| 3 | LABEL - PENGUIN - HA (R) | PETP FILM | 4A0526-01 | 1 | 1 | 1 | 1 | 1 |
| 4 | MAINTENANCE LABEL | PVC FILM | 3A0878-01 | 1 | 1 | 1 | 1 | 1 |
| 5 | WIRING LABEL | PVC FILM | 3A0783-01 | 1 | 1 | 1 | 1 | 1 |
| 6 | NAMEPLATE | PES FILM | 4A1196-01 | 2 | 1 | 2 | 2 | 1 |
| 7 | INSTRUCTION SHEET | PAPER | 2A0750-01 | 1 | 1 | 1 | - | |
| | | PAPER | 2A1253-01 | | | | 1 | 1 |
| 8 | MANUAL LABEL | PVC FILM | 4A1090-01 | 1 | 1 | 1 | 1 | 1 |
| 9 | TAG - WARNING: ELECTRICAL CONNECTION | PAPER | 435005-01 | 1 | 1 | 1 | 1 | 1 |
| 10 | LABEL - R22 | PES FILM | 440362-01 | 1 | 1 | 1 | 1 | 1 |
| 11 | CAUTION LABEL (F) | PVC FILM | 439146-01 | 1 | 1 | 1 | 1 | 1 |
| 12 | CAUTION LABEL (K) | PVC FILM | 439150-01 | 1 | 1 | 1 | 1 | 1 |
| 13 | LABEL - AIR FILTER | PETP FILM | 426177-01 | 1 | 1 | 1 | 1 | 1 |
| 14 | INSTRUCTION LABEL | PVC FILM | 444575-01 | 1 | 1 | 1 | 1 | 1 |
| 15 | WARNING LABEL - MANUAL FILL | PVC FILM | 4A1091-01 | 1 | 1 | 1 | - | |
| 16 | LABEL – CONTROL BOARD | PVC FILM | 3A0998-01 | | 1 | 1 | 1 | - |
| | | PVC FILM | 3A1272-01 | | | | | 1 |
| 17 | RATING LABEL | PES FILM | 4A1609-01 | | 1 | 1 | 1 | 1 |
| | | | | | | | | |
| | | | | | | | | |
| | | | | | | | | |
| | | | | | | | | |
| | | | | | | | | |
| | | | | | | | | |
| | | | | | | | | |







| MODEL: KML-200MWE TITLE: E. LABEL LOCATION | | | | | | | | |
|--|--------------------------------------|--------------------------|-------------|-----------------|------------|---------------------|---------------------|-----|
| INDEX NO. | DESCRIPTION | MATERIAL OR MODEL NUMBER | PART NUMBER | REQUIRED NUMBER | | | | |
| | | | | G-0 | H-1 H-2 | J00196M- J00295B | J00296D- J00425J | K-0 |
| 1 | EMBLEM | PETP FILM | 4A0560-01 | 1 | 1 | 1 | 1 | 1 |
| 2 | MODEL NUMBER LABEL | PETP FILM | 443341-36 | 1 | 1 | 1 | 1 | 1 |
| 3 | LABEL - PENGUIN - HA (R) | PETP FILM | 4A0526-01 | 1 | 1 | 1 | 1 | 1 |
| 4 | MAINTENANCE LABEL | PVC FILM | 3A0878-01 | 1 | 1 | 1 | 1 | 1 |
| 5 | WIRING LABEL | PVC FILM | 3A0783-01 | 1 | 1 | 1 | 1 | 1 |
| 6 | NAMEPLATE | PES FILM | 4A1197-01 | 2 | 1 | 2 | 2 | 1 |
| 7 | INSTRUCTION SHEET | PAPER | 2A0750-01 | 1 | 1 | 1 | - | |
| | | PAPER | 2A1253-01 | | | | 1 | 1 |
| 8 | MANUAL LABEL | PVC FILM | 4A1090-01 | 1 | 1 | 1 | 1 | 1 |
| 9 | TAG - WARNING: ELECTRICAL CONNECTION | PAPER | 435005-01 | 1 | 1 | 1 | 1 | 1 |
| 10 | LABEL - R22 | PES FILM | 440362-01 | 1 | 1 | 1 | 1 | 1 |
| 11 | CAUTION LABEL (K) | PVC FILM | 439150-01 | 1 | 1 | 1 | 1 | 1 |
| 12 | INSTRUCTION LABEL | PVC FILM | 444575-01 | 1 | 1 | 1 | 1 | 1 |
| 13 | WARNING LABEL - MANUAL FILL | PVC FILM | 4A1091-01 | 1 | 1 | 1 | - | |
| 14 | LABEL – CONTROL BOARD | PVC FILM | 3A0998-01 | | 1 | 1 | 1 | - |
| | | PVC FILM | 3A1272-01 | | | | | 1 |
| 15 | RATING LABEL | PES FILM | 4A1610-01 | | 1 | 1 | 1 | 1 |
| | | | | | | | | |
| | | | | | | | | |
| | | | | | | | | |
| | | | | | | | | |
| | | | | | | | | |
| | | | | | | | | |
| | | | | | | | | |
| | | | | | | | | |
| | | | | | | | | |
| | | | | | | | | |
| | | | | | | | | |

