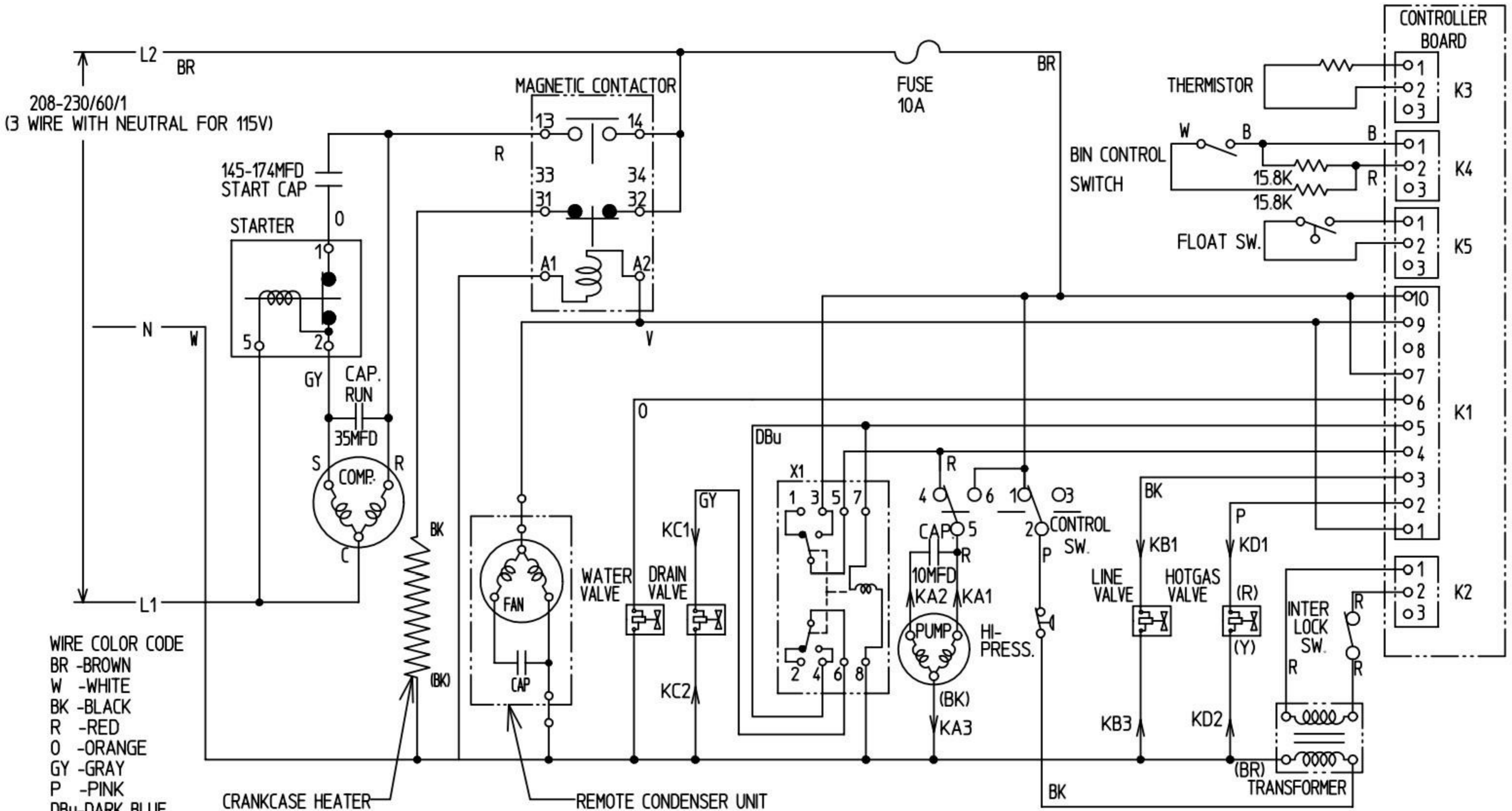


208-230/60/1
(3 WIRE WITH NEUTRAL FOR 115V)

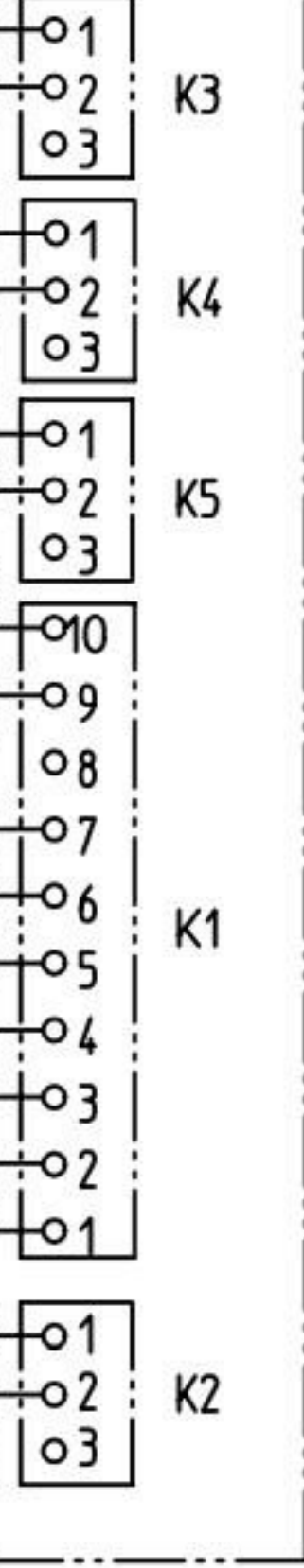


- WIRE COLOR CODE
 BR -BROWN
 W -WHITE
 BK -BLACK
 R -RED
 O -ORANGE
 GY -GRAY
 P -PINK
 DBu-DARK BLUE
 V -VIOLET
 Y -YELLOW

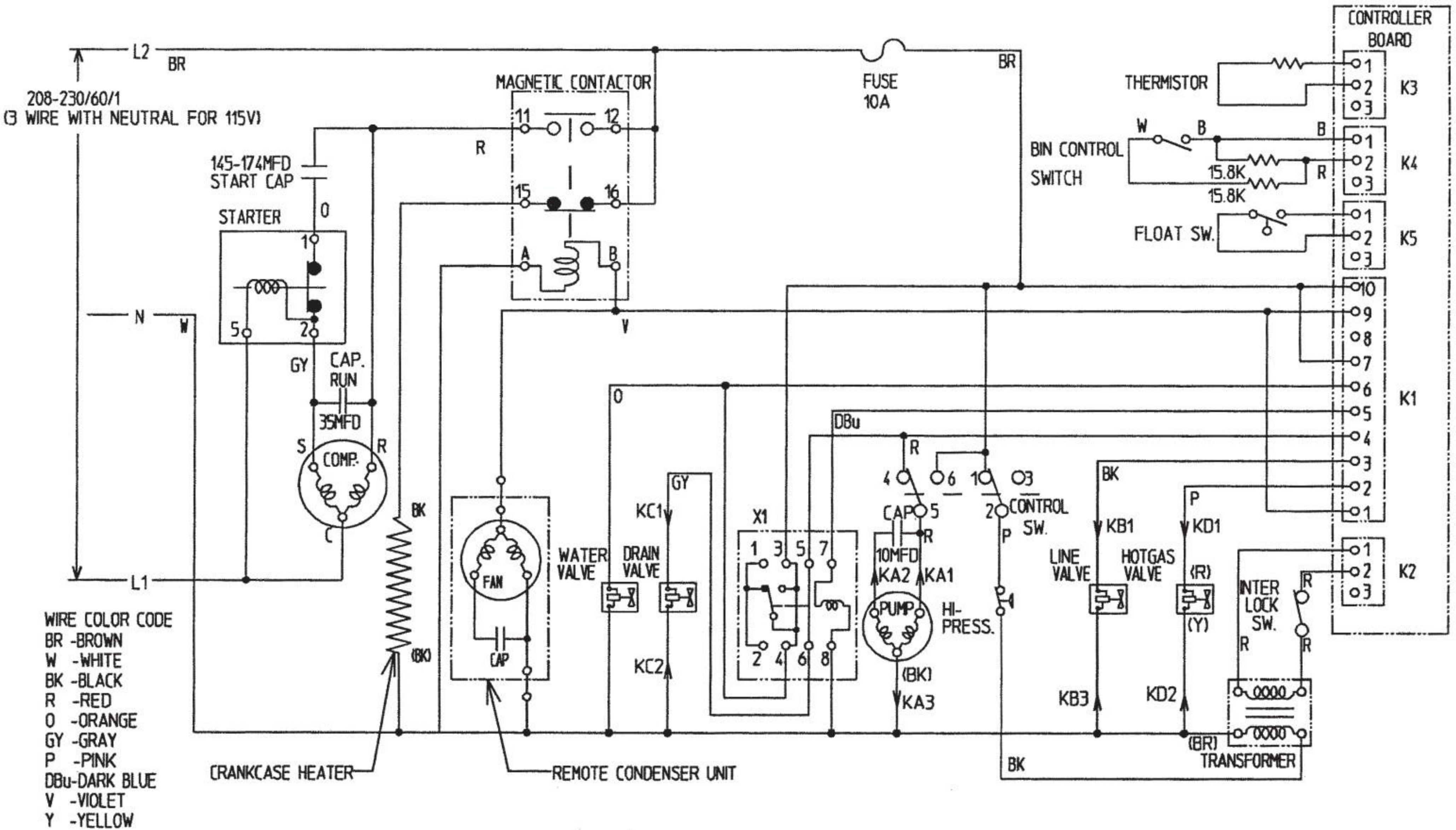
CRANKCASE HEATER

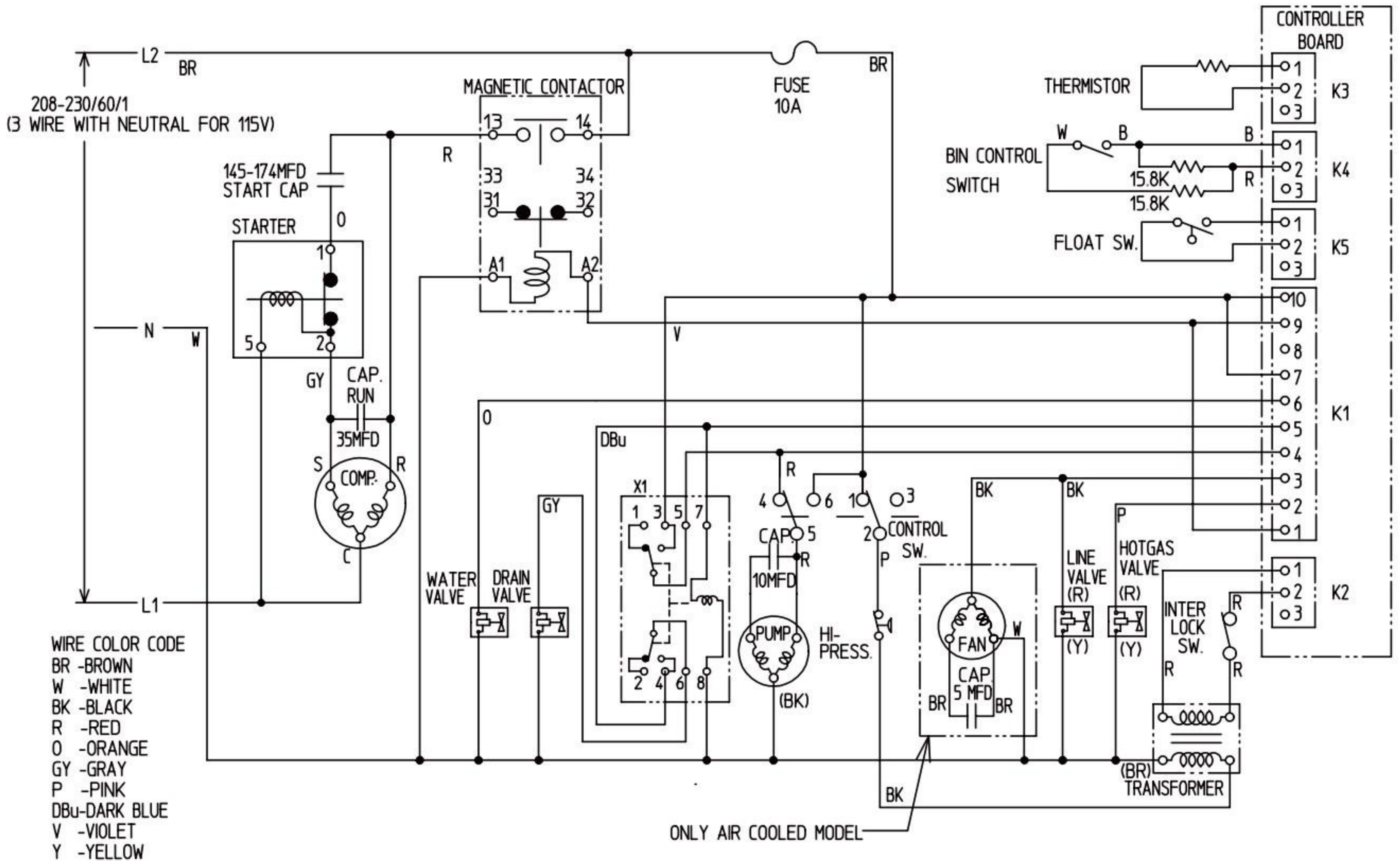
REMOTE CONDENSER UNIT

CONTROLLER BOARD

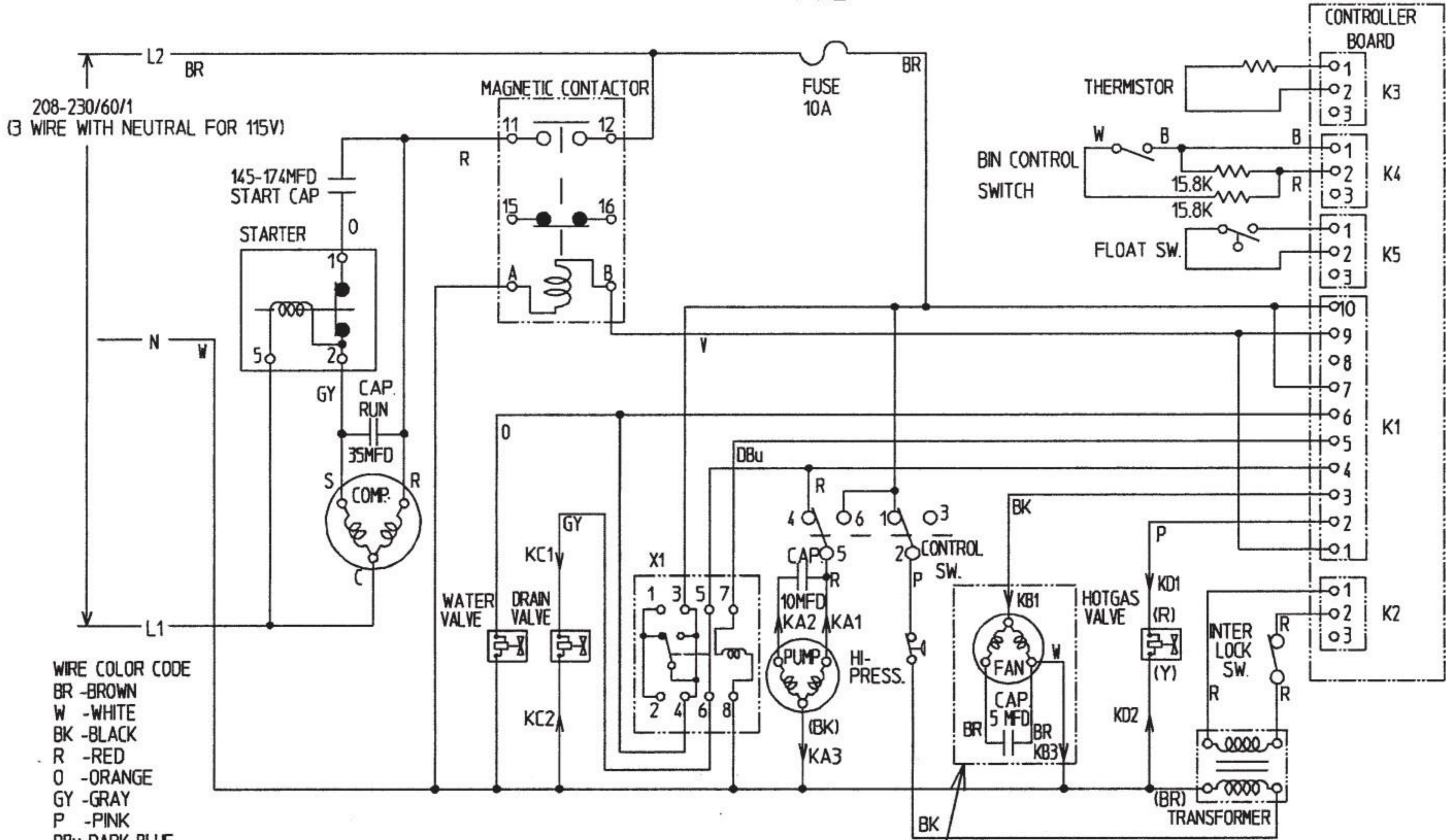


TRANSFORMER





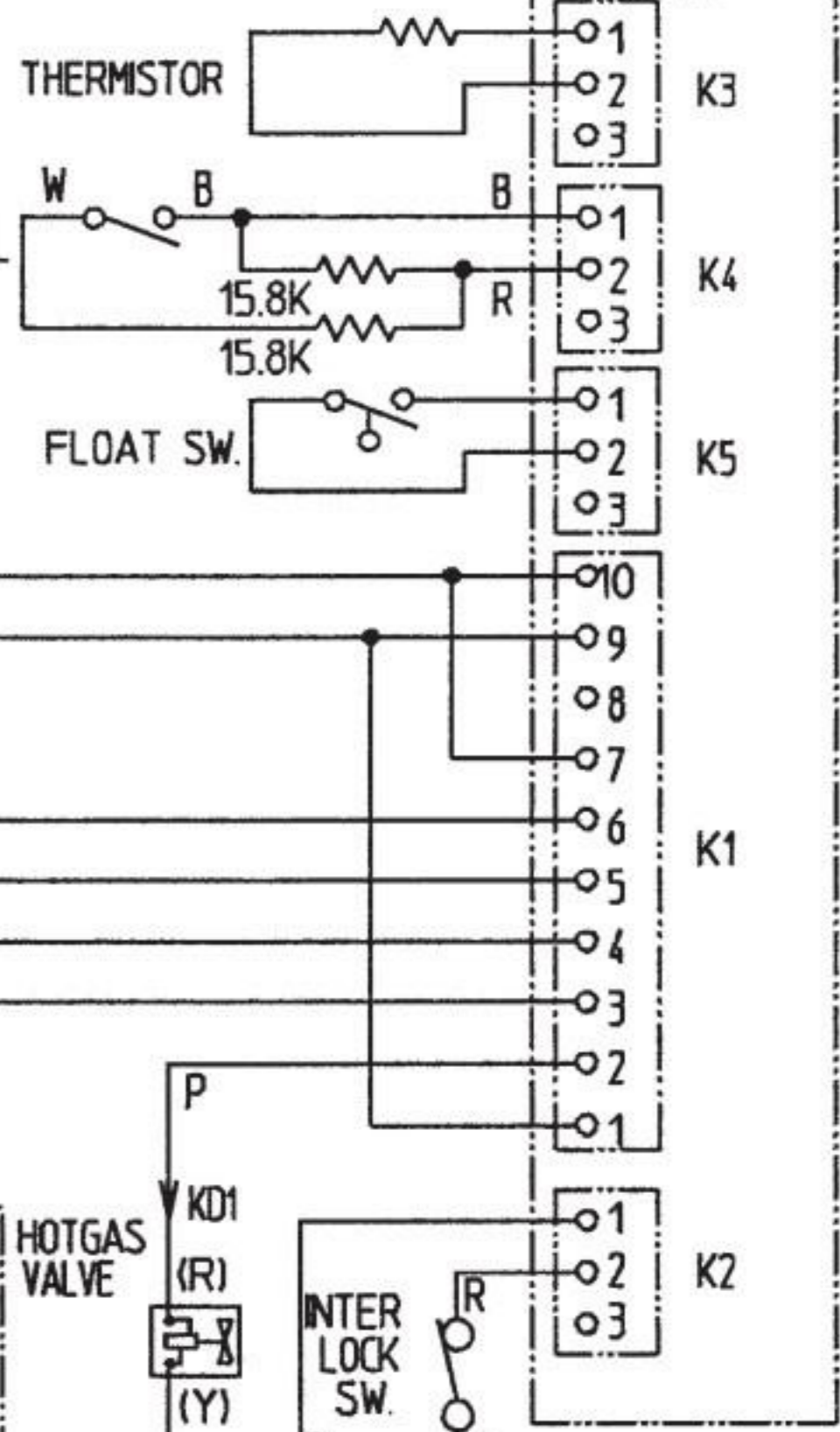
208-230/60/1
 (3 WIRE WITH NEUTRAL FOR 115V)



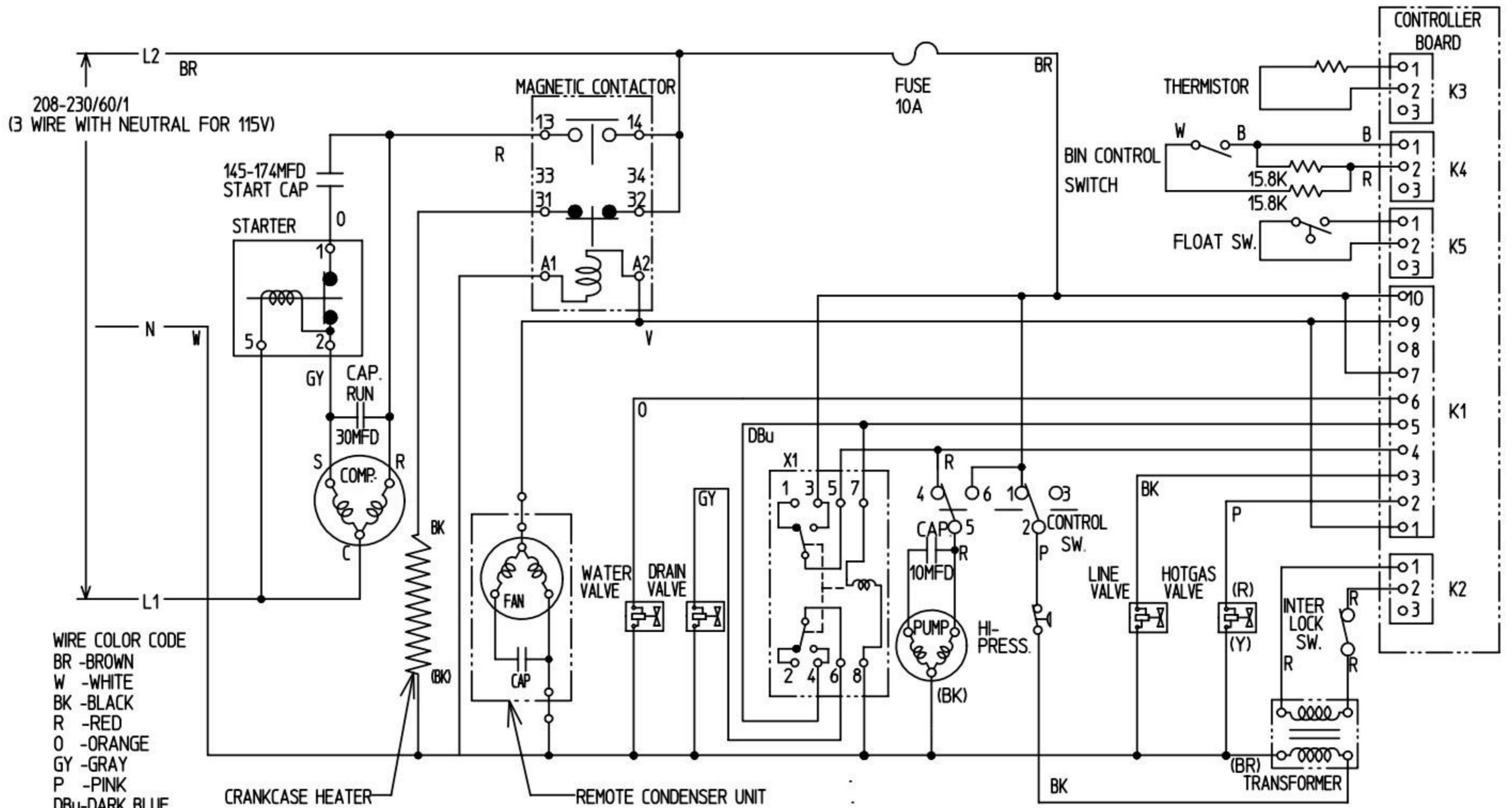
- WIRE COLOR CODE
- BR - BROWN
 - W - WHITE
 - BK - BLACK
 - R - RED
 - O - ORANGE
 - GY - GRAY
 - P - PINK
 - DBu - DARK BLUE
 - V - VIOLET
 - Y - YELLOW

ONLY AIR COOLED MODEL

CONTROLLER BOARD



208-230/60/1
(3 WIRE WITH NEUTRAL FOR 115V)



WIRE COLOR CODE
 BR -BROWN
 W -WHITE
 BK -BLACK
 R -RED
 O -ORANGE
 GY -GRAY
 P -PINK
 DBu-DARK BLUE
 V -VIOLET
 Y -YELLOW

CRANKCASE HEATER

REMOTE CONDENSER UNIT

BK

TRANSFORMER

CONTROLLER BOARD

K3

K4

K5

K1

K2

FUSE 10A

MAGNETIC CONTACTOR

145-174MFD START CAP

STARTER

COMP.

FAN

WATER VALVE

DRAIN VALVE

PUMP

HI-PRESS.

LINE VALVE

HOTGAS VALVE

INTER LOCK SW.

THERMISTOR

BIN CONTROL SWITCH

FLOAT SW.

DBu

X1

10MFD

CONTROL SW.

TRANSFORMER

L2 BR

BR

N W

L1

R

13

14

33

34

31

32

A1

A2

V

0

1

3

5

7

2

4

6

8

4

6

10

03

BK

P

(R)

(Y)

(R)

(Y)

(R)

(Y)

(BR)

1

2

3

1

2

3

1

2

3

10

9

8

7

6

5

4

3

2

1

1

2

3

1

2

3

1

2

3

1

2

3

1

2

3

1

2

3

10

9

8

7

6

5

4

3

2

1

1

2

3

1

2

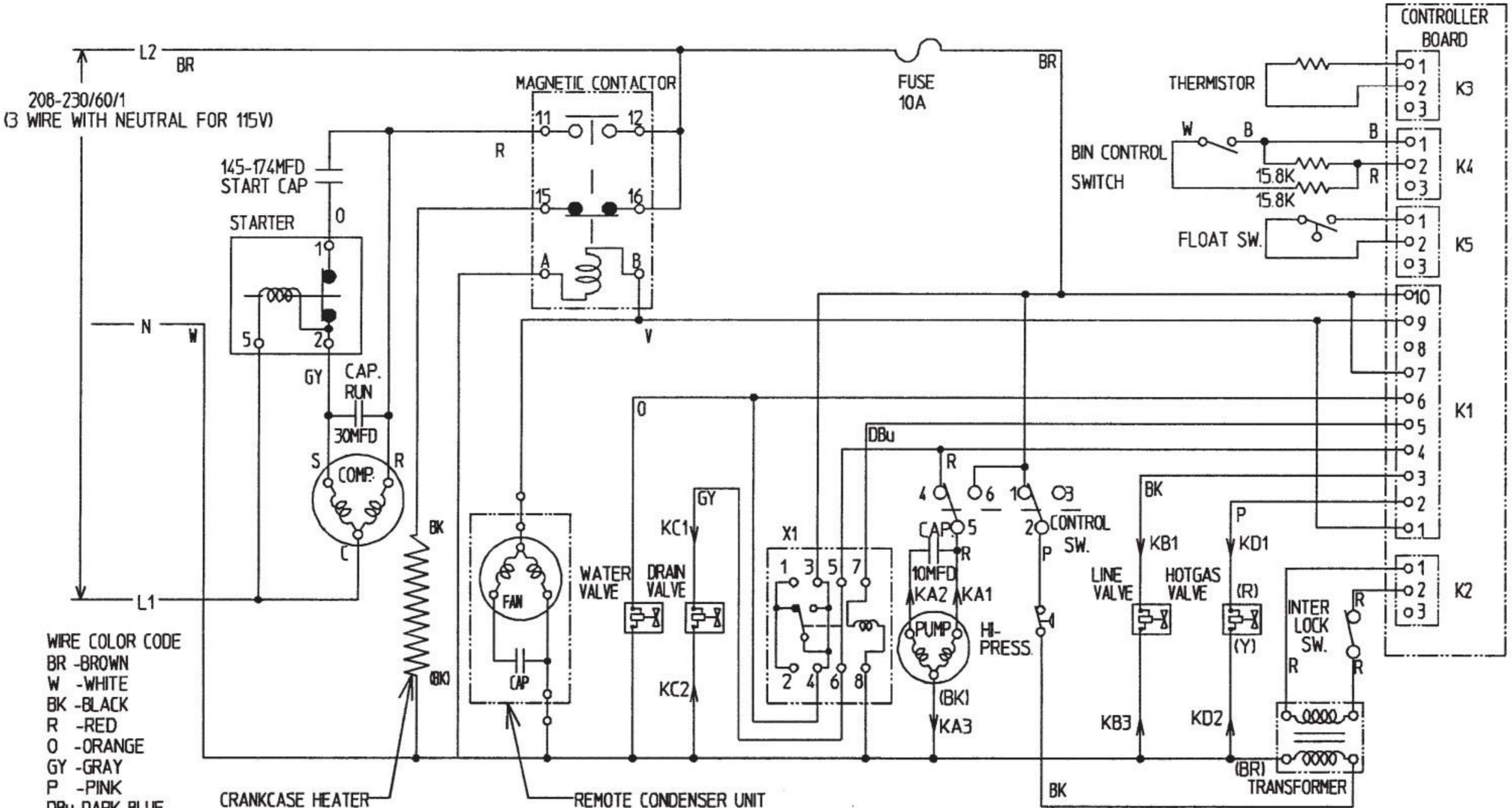
3

1

2

3

208-230/60/1
 (3 WIRE WITH NEUTRAL FOR 115V)

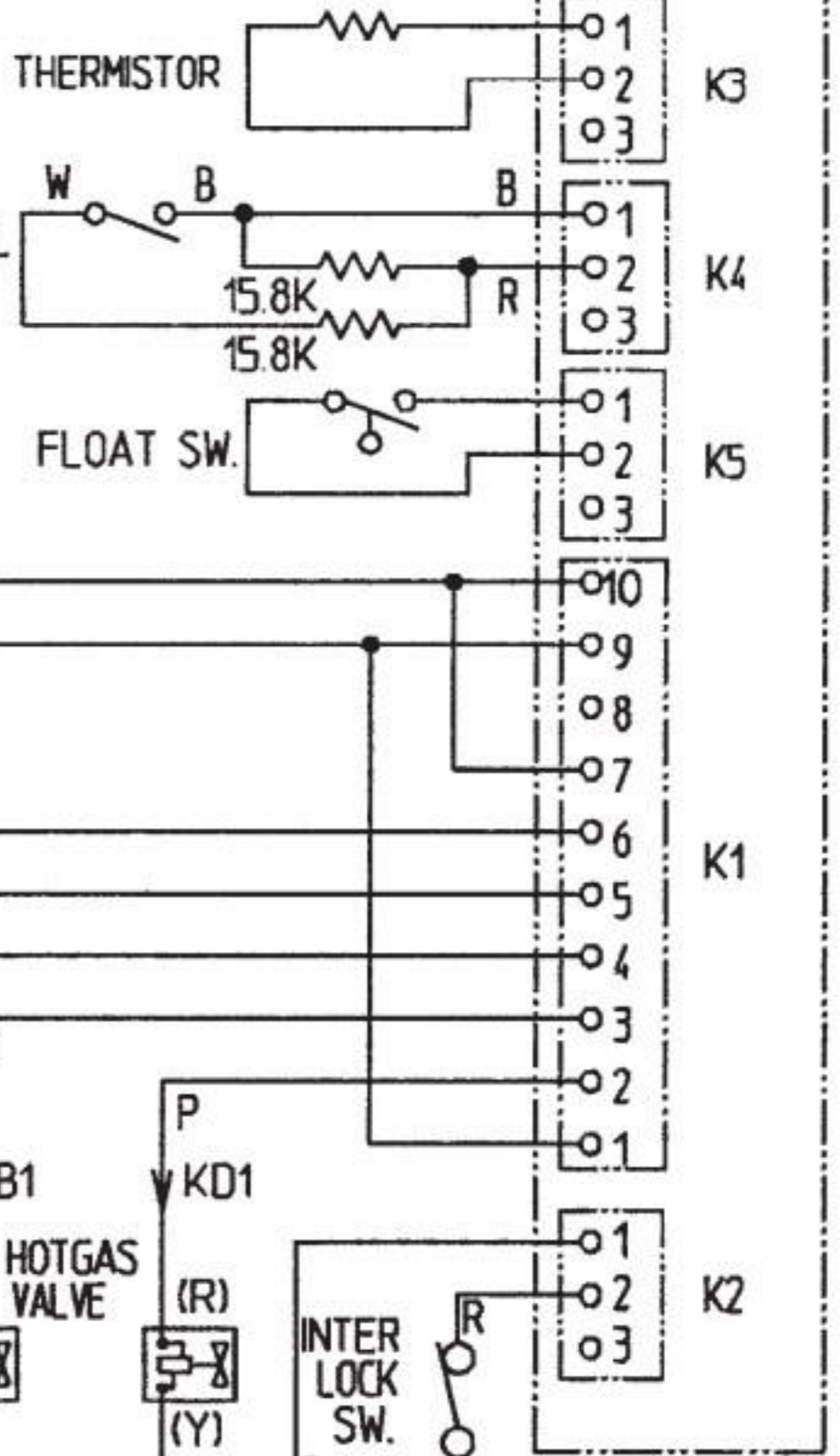


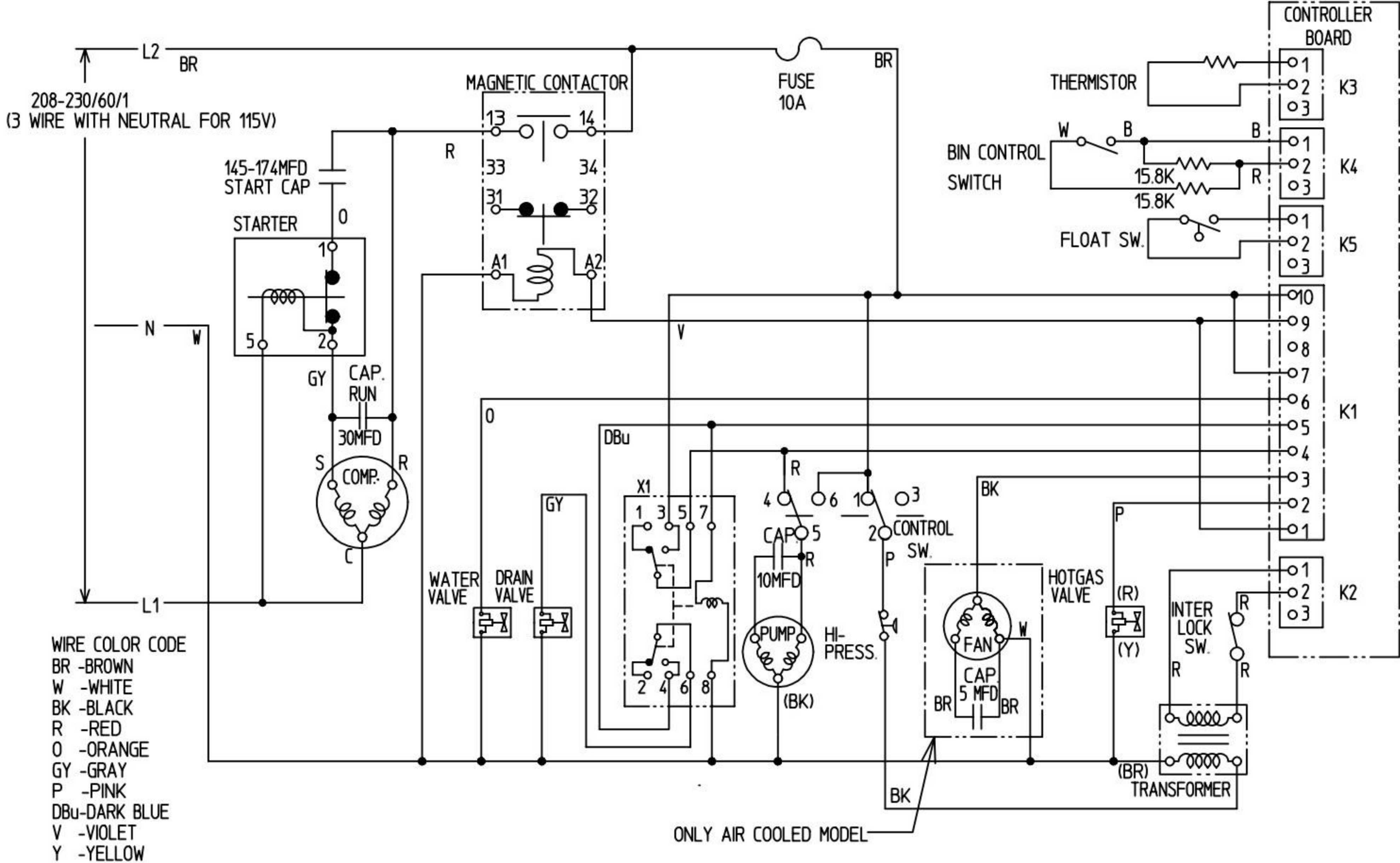
- WIRE COLOR CODE
 BR -BROWN
 W -WHITE
 BK -BLACK
 R -RED
 O -ORANGE
 GY -GRAY
 P -PINK
 DBu-DARK BLUE
 V -VIOLET
 Y -YELLOW

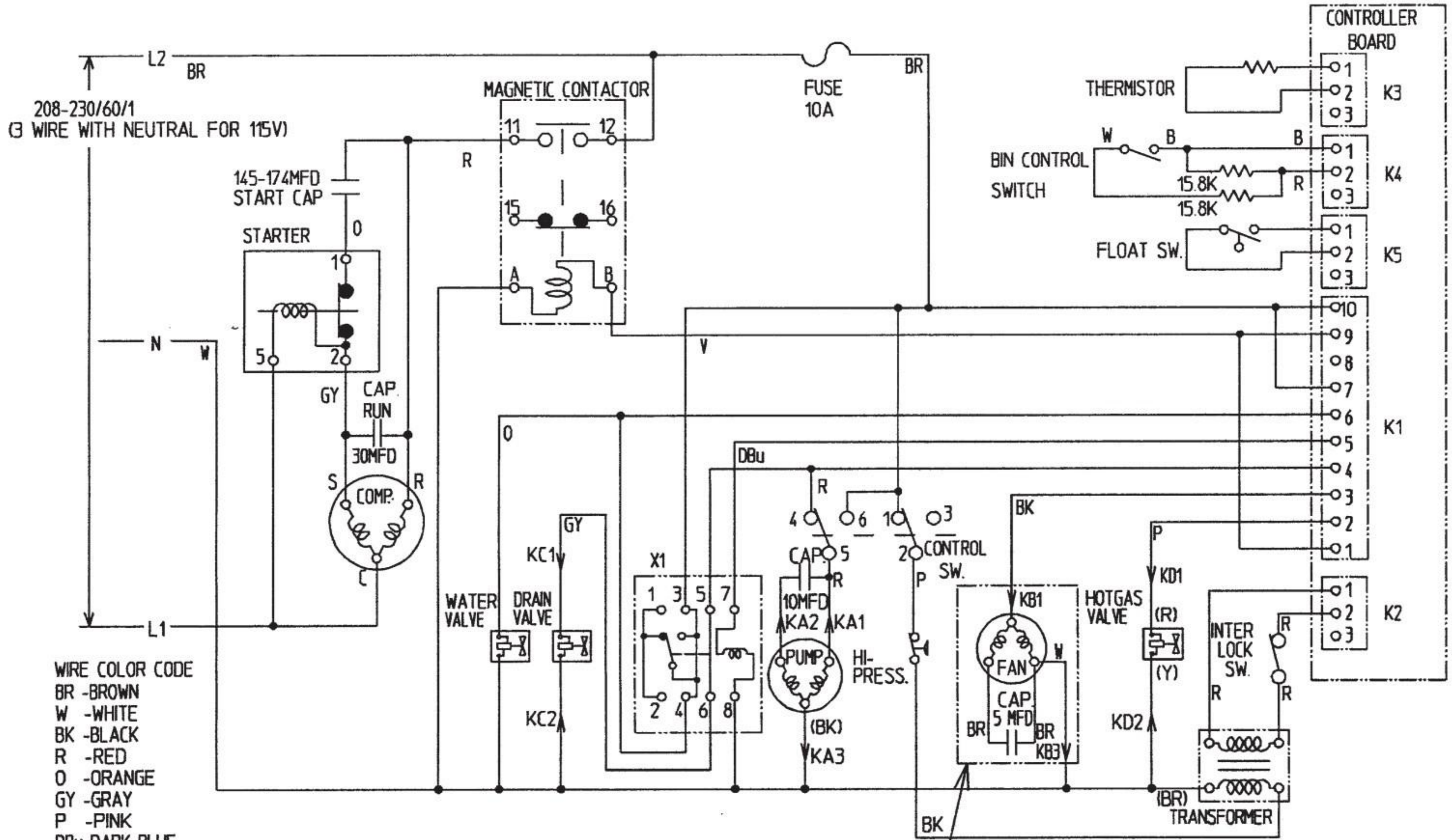
CRANKCASE HEATER

REMOTE CONDENSER UNIT

CONTROLLER BOARD







WIRE COLOR CODE
 BR - BROWN
 W - WHITE
 BK - BLACK
 R - RED
 O - ORANGE
 GY - GRAY
 P - PINK
 DBu - DARK BLUE
 V - VIOLET
 Y - YELLOW

ONLY AIR COOLED MODEL