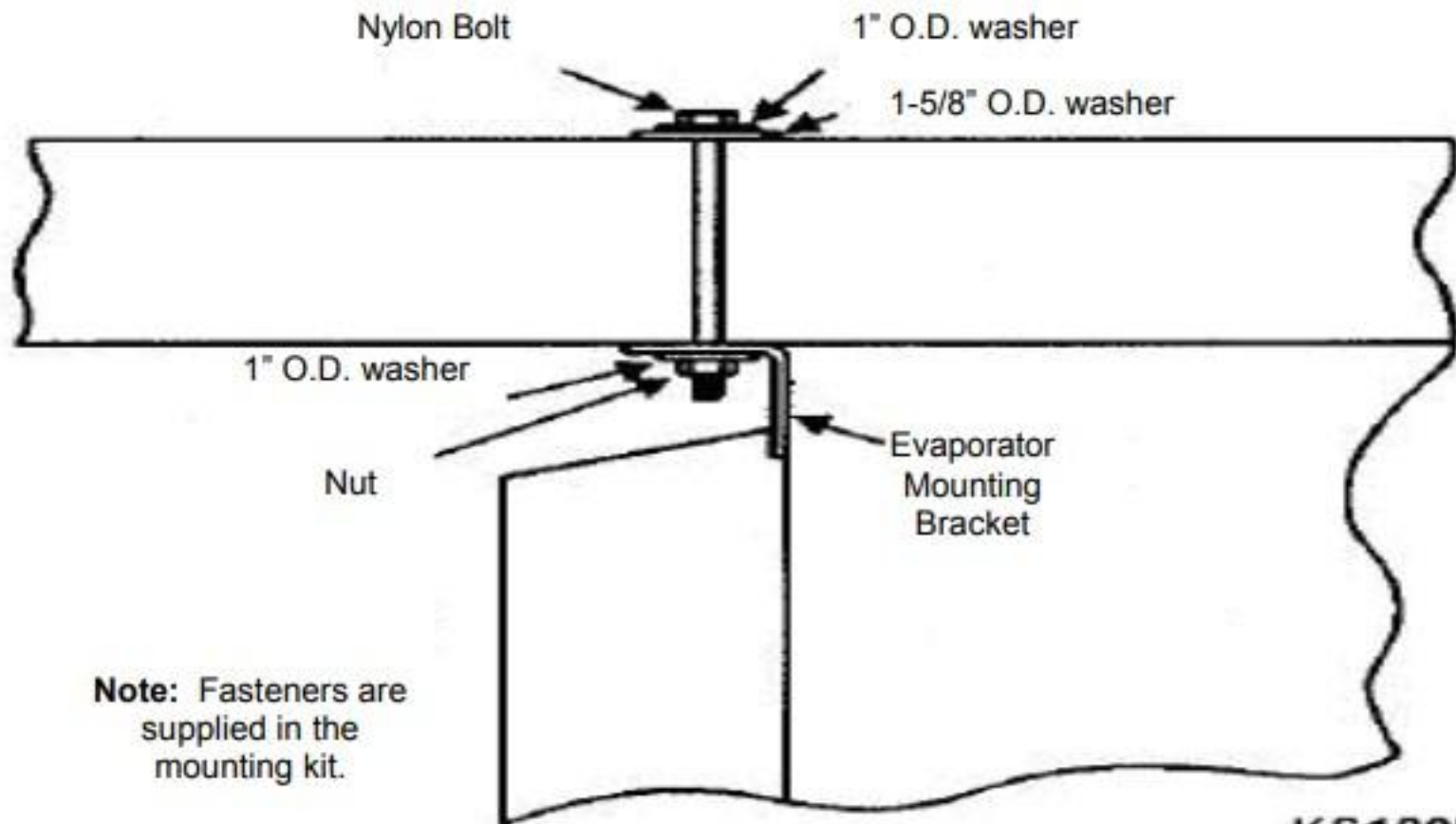
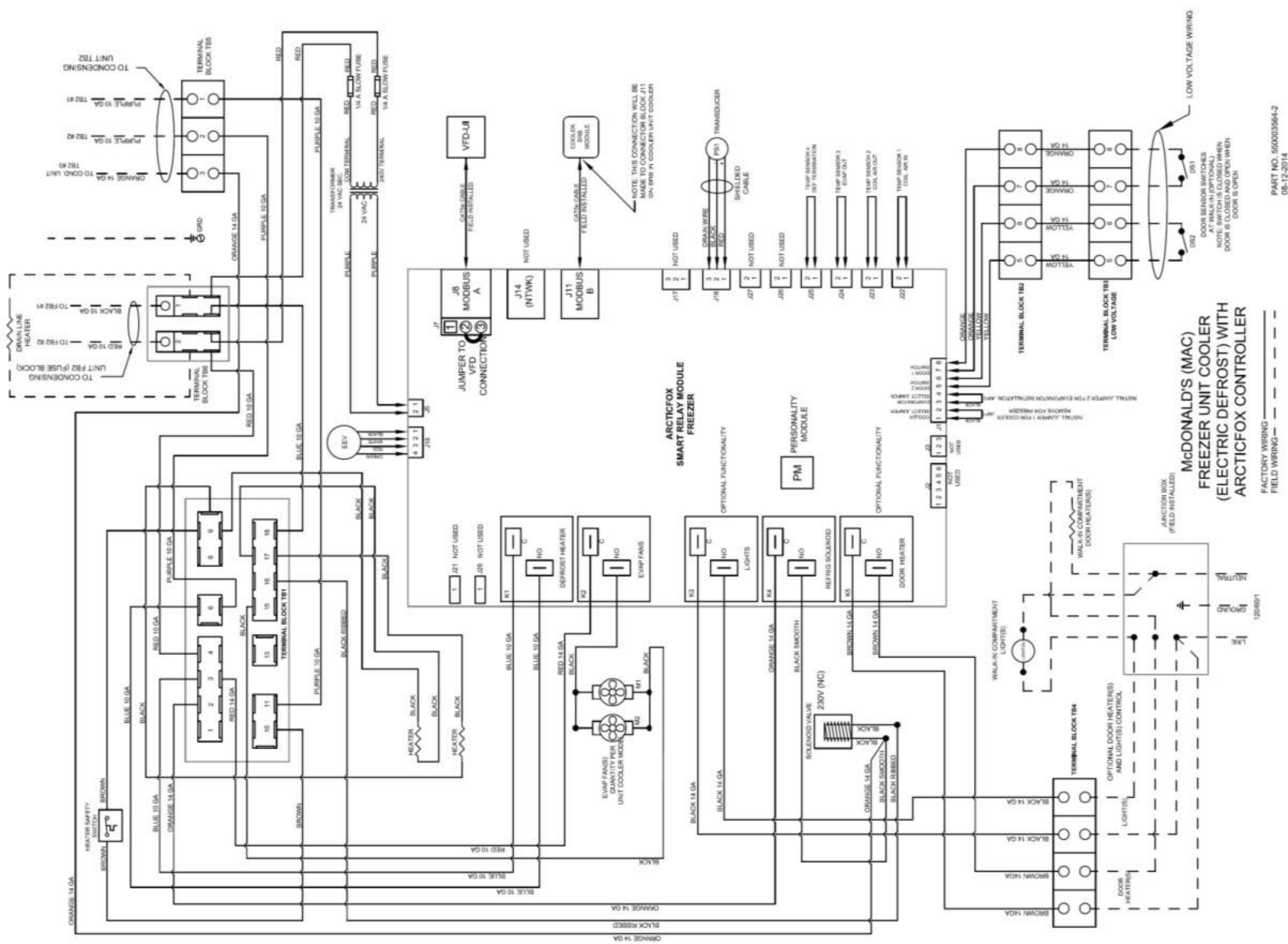


Evaporator Coil Mounting Diagram

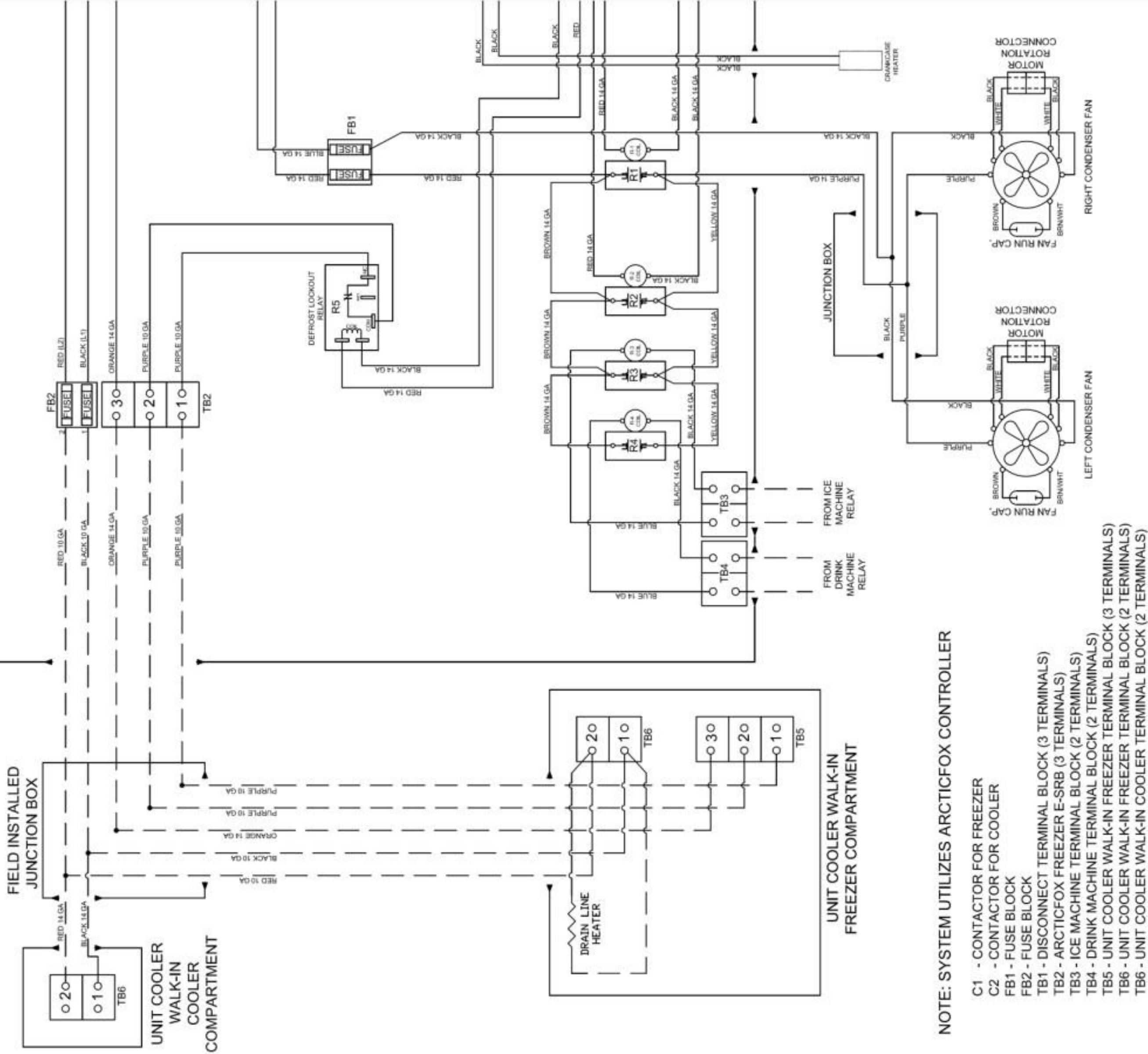


Note: Fasteners are supplied in the mounting kit.

KS1008



CONDENSING UNIT ELECTRICAL BOX



NOTE: SYSTEM UTILIZES ARCTICFOX CONTROLLER

- C1 - CONTACTOR FOR FREEZER
- C2 - CONTACTOR FOR COOLER
- FB1 - FUSE BLOCK
- FB2 - FUSE BLOCK
- TB1 - DISCONNECT TERMINAL BLOCK (3 TERMINALS)
- TB2 - ARCTICFOX FREEZER E-SRB (3 TERMINALS)
- TB3 - ICE MACHINE TERMINAL BLOCK (2 TERMINALS)
- TB4 - DRINK MACHINE TERMINAL BLOCK (2 TERMINALS)
- TB5 - UNIT COOLER WALK-IN FREEZER TERMINAL BLOCK (3 TERMINALS)
- TB6 - UNIT COOLER WALK-IN FREEZER TERMINAL BLOCK (2 TERMINALS)
- TB6 - UNIT COOLER WALK-IN COOLER TERMINAL BLOCK (2 TERMINALS)
- R1 - FAN RELAY
- R2 - FAN RELAY
- R3 - FAN RELAY
- R4 - FAN RELAY
- R5 - DEFROST LOCKOUT RELAY
- R6 - PUMPDOWN RELAY

McDONALD'S (MAC 7 & 8) CONDENSING UNIT
WIRING DIAGRAM

————— FACTORY WIRING
- - - - - FIELD WIRING