



Shuttle Plus System Manual



PARTS

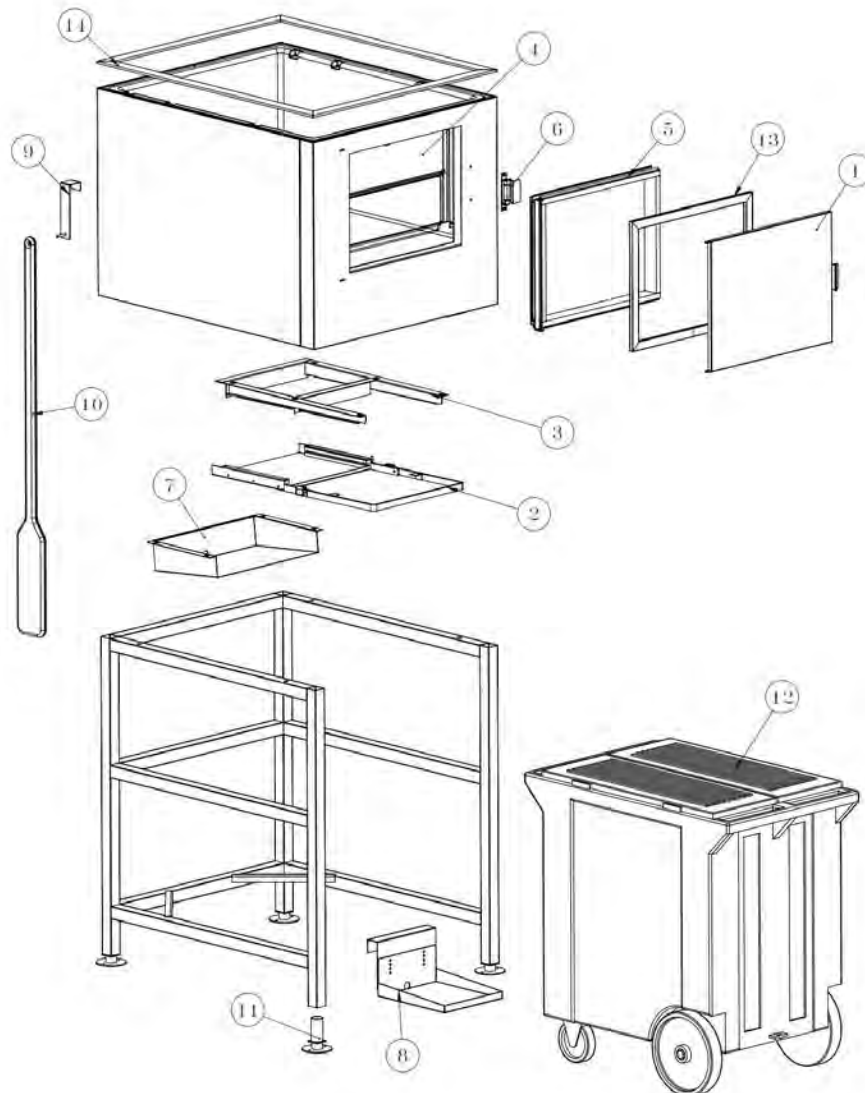


Toll Free Phone: 1-800-346-3246

www.kloppenberg.com

Shuttle Plus Storage –1 (SPS-1)

Number	Part Number	Part Description
1	4030004	Shovel Door Assembly
2	4030000	Guillotine Assembly
3	4030001	Guillotine Slide Rail Assembly
4	4030002	Shovel Door Hood Baffle Assembly
5	4030045	Extrusion Kit - Shovel Door - Poly Liner
6	4030006	Shovel Door Latch Assembly
7	4030028	Upper Drain Pan
8	4030005	Lower Drain Pan
9	3030052	Paddle Hanger
10	4030060	48" White Plastic Paddle
11	2300041	Flanged Feet
12	40300654	PCC-250 Poly Cart
13	2750004	4-Sided Shovel Door Gasket
14	4030009	Gasket (Bin) 1.5"



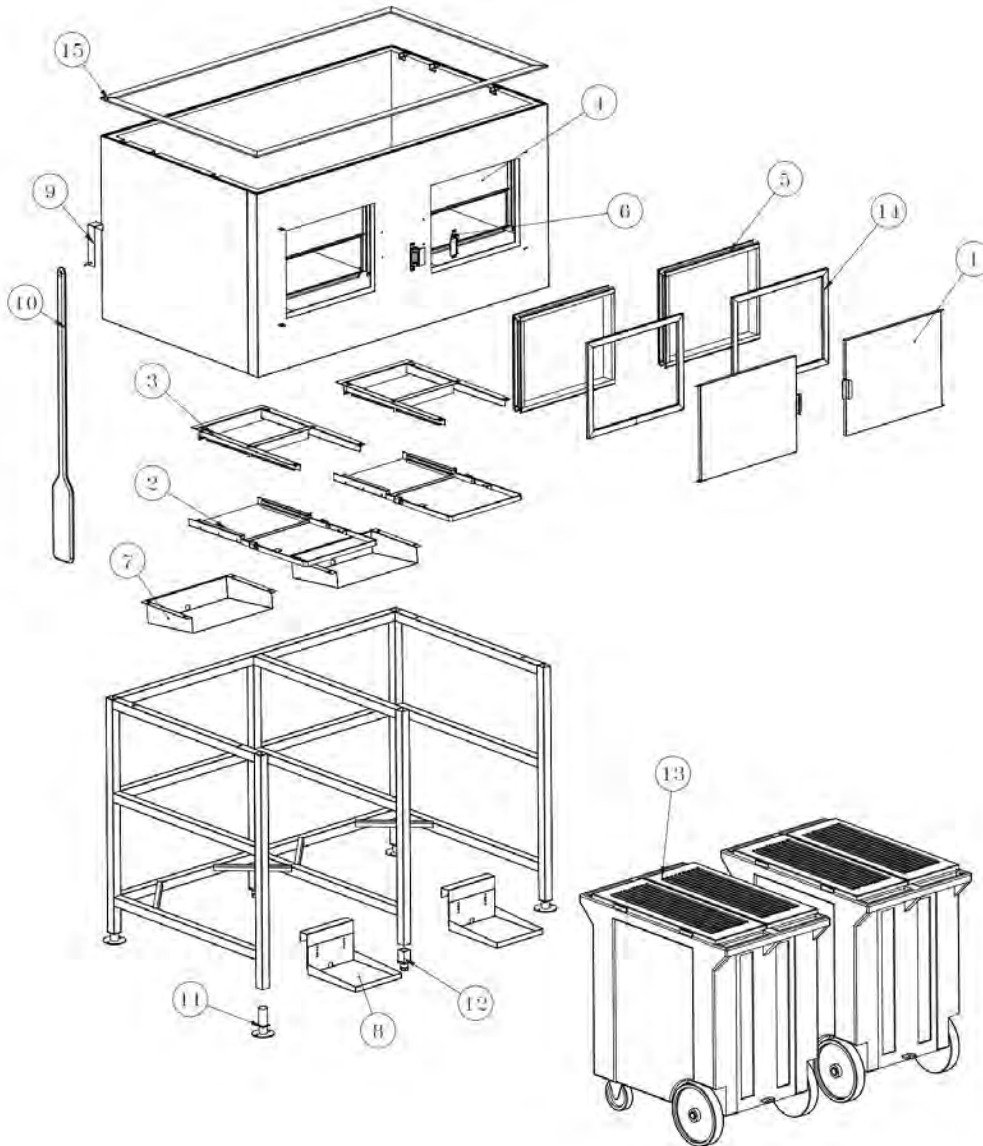


Toll Free Phone: 1-800-346-3246

www.kloppenberg.com

Shuttle Plus Storage –2 (SPS-2) Parts

Number	Part Number	Part Description
1	4030004	Shovel Door Assembly
2	4030000	Guillotine Assembly
3	4030001	Guillotine Slide Rail Assembly
4	4030002	Shovel Door Hood Baffle Assembly
5	4030045	Extrusion Kit - Shovel Door - Poly Liner
6	4030006	Shovel Door Latch Assembly
7	4030028	Upper Drain Pan
8	4030005	Lower Drain Pan
9	3030052	Paddle Hanger
10	4030060	48" White Plastic Paddle
11	2300041	Flanged Feet
12	2300040	Pop-in Feet
13	40300654	PCC-250 Poly Cart
14	2750004	4-Sided Shovel Door Gasket
15	4030009	Gasket (Bin) 1.5"



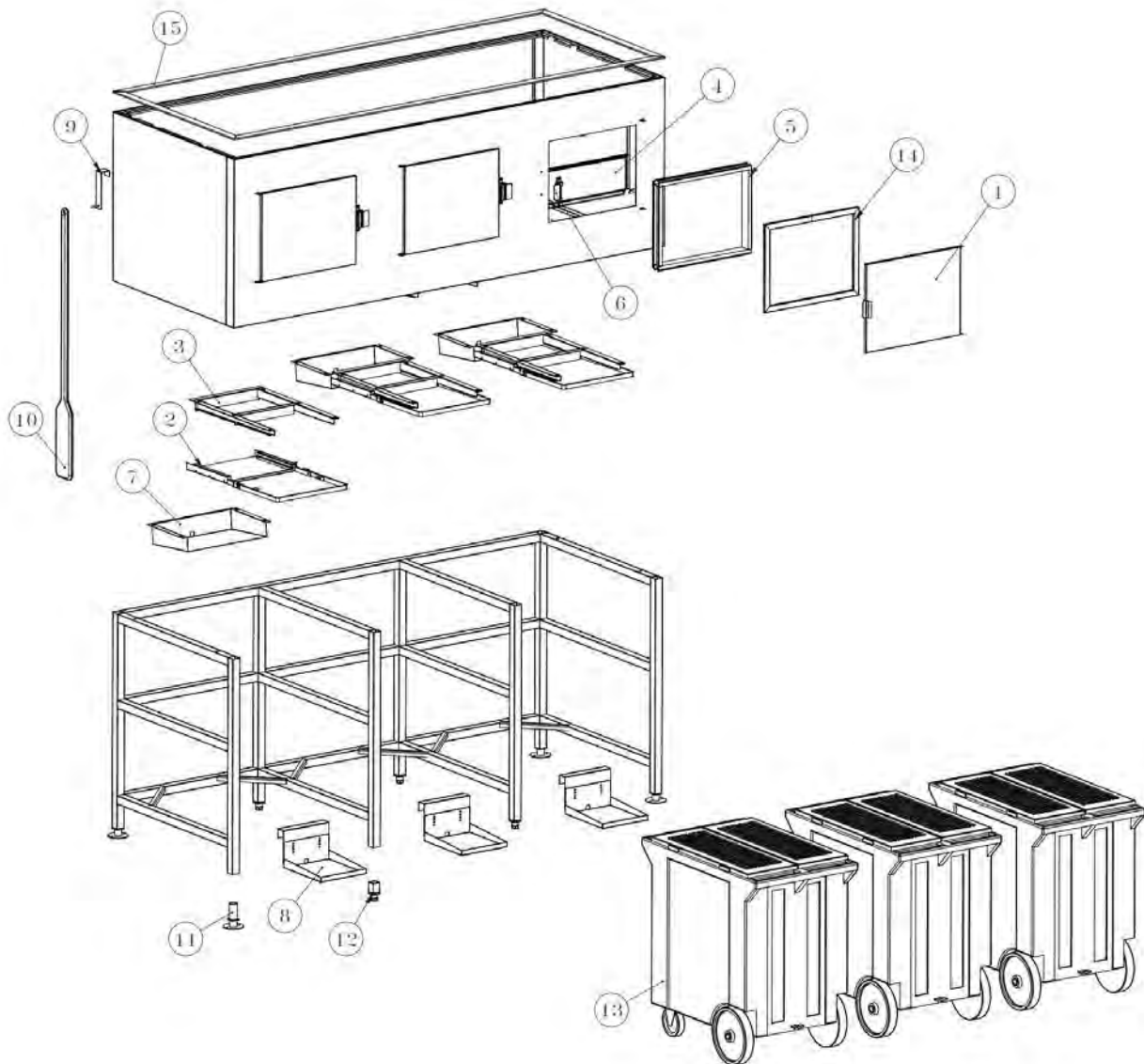


Toll Free Phone: 1-800-346-3246

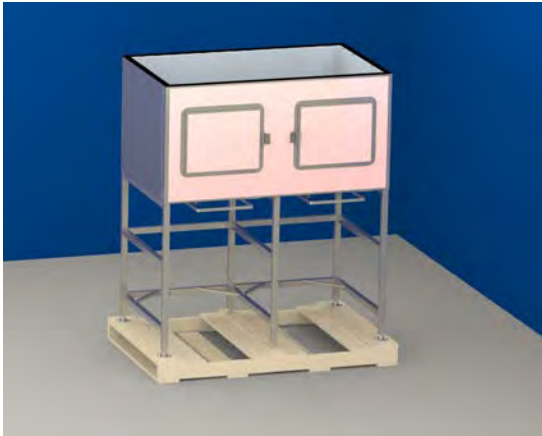
www.kloppenberg.com

Shuttle Plus Storage –3 (SPS-3) Parts

Number	Part Number	Part Description
1	4030004	Shovel Door Assembly
2	4030000	Guillotine Assembly
3	4030001	Guillotine Slide Rail Assembly
4	4030002	Shovel Door Hood Baffle Assembly
5	4030045	Extrusion Kit - Shovel Door - Poly Liner
6	4030006	Shovel Door Latch Assembly
7	4030028	Upper Drain Pan
8	4030005	Lower Drain Pan
9	3030052	Paddle Hanger
10	4030060	48" White Plastic Paddle
11	2300041	Flanged Feet
12	2300040	Pop-in Feet
13	40300654	PCC-250 Poly Cart
14	2750004	4-Sided Shovel Door Gasket
15	4030009	Gasket (Bin) 1.5"



INSTALLATION

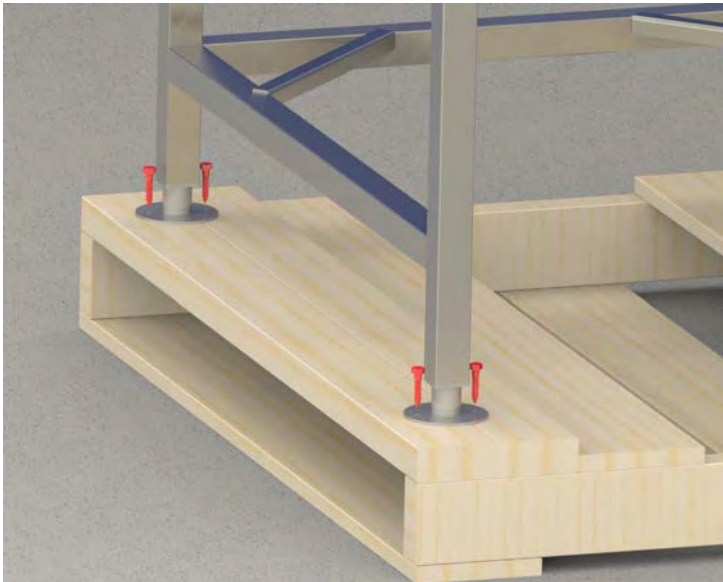


Remove Bin, Carts, and Contents from the bin (lower drain pan)

Peel PVC film from the front panel, shovel door.

Remove bin top (For poly tops remove H-Frame) and set aside.

Save all packaging until machine is installed and running properly.



Position transport system into desired location carefully to not damage legs or any functioning parts on the front, back, side or under the bin.

Remove lag bolts connecting flanged feet to pallet.

Remove Bin from Pallet.

Level the bin if needed adjust the feet by rotating the flange or bullet to level the unit.

Attach drain hoses to upper and lower pans and secure using pipe clamps.

Return Bin top (for poly top-ensure H-frame is in place)



SERVICE

CLEANING AND SANITATION INSTRUCTIONS

NOTE

CHLORINE BASED CLEANERS MAY CAUSE CORROSION OF THE STAINLESS STEEL

BEFORE USING ICE BIN

- Clean and sanitize all surfaces using a quaternary cleaner/sanitizer

STAINLESS STEEL & POLY LINER CLEANING PROTOCOL

Bi-Monthly Cleaning

- With a clean dry cloth, wipe down internal ice bin ceiling, doors, snouts, baffles, and windows

Quarterly Cleaning (for heavy use bins conduct this cleaning monthly)

1. Empty bin completely
2. Wash with mild soap and water, including augers, agitators, snouts, and baffles, and rinse thoroughly.
3. Then use quaternary cleaner/sanitizer* on all surfaces including augers, agitators, snouts, and baffles, and let dry per cleaning solution instructions.

*Recommend EcoLab No Rinse Food Contact Cleaner Sanitizer.

TROUBLE SHOOTING

Heavy deposit

1. Empty bin completely
2. Wash with mild soap and water, including augers, agitators, snouts, and baffles. Use vigorous agitation on deposit areas. Rinse thoroughly.
3. Then prepare a diluted nitric acid solution (5-10% HNO₃). Apply a light layer of the solution to the liner and allow to stand for 30 minutes. Rinse the liner with clean water.

*****WARNING: HANDLE AND USE NITRIC ACID WITH CARE.**

FOLLOW ALL MANUFACTURER/SUPPLIER INSTRUCTIONS***

RECOMMENDATION

To minimize bin contamination, use a water softening system that reduces ferrous minerals and particulates

Shovel Door Replacement Instructions

Tools & Parts needed:

- | | |
|----------------------------|----------------|
| ■ Vice grips/channel locks | ■ Pliers |
| ■ Riveter/rivet gun | ■ Bushings (2) |
| ■ Replacement door | ■ Rivets (2) |

Dry fit door to determine fit, there is usually a slight gap between door and hinges. Using pliers gently bend tabs (top and bottom) on unit to shorten the distance, careful to not over bend which may cause the hinge to break (Figure 1)

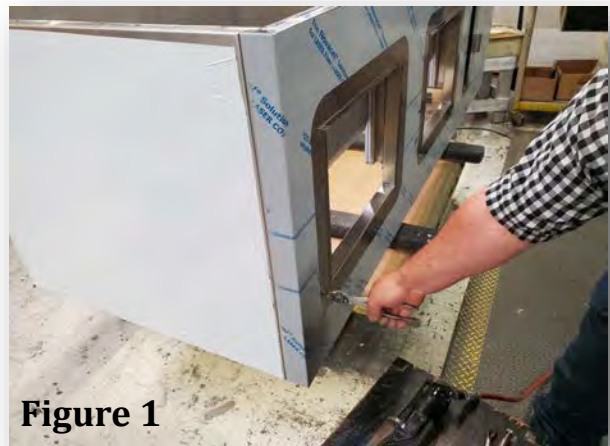


Figure 1



Figure 2

Repeat this process on the door tabs (Figure 2)

Line up bins tabs and door tabs. Take vice grips/channel locks and use to hold bottom of door in place. Then place bushing into the hole. With bushing in position carefully set rivet into place. (Figure 3)

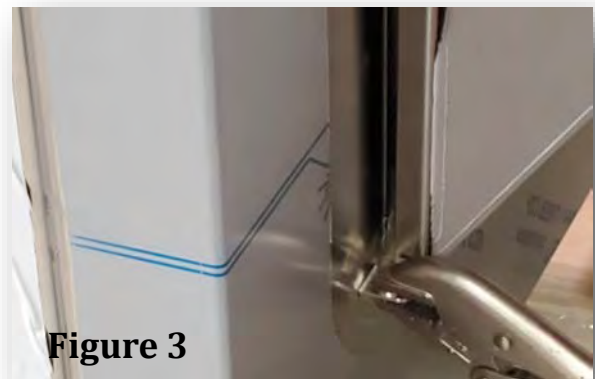


Figure 3

Shovel Door Replacement Instructions

Using riveter/rivet gun squeeze tight applying enough pressure to keep rivet in place. (Figure 4)



Figure 4



Figure 5

For bottom side remove vice grips/channel locks to access hinge. Repeat step with bushing, rivet and riveter/rivet gun. (Figure 5)

Once secure release and test door.

Toll Free Phone: 1-800-346-3246 Local Phone: 303-761-1615 Fax: 303-789-1741

Email: sales@kloppenber.com

Please send all PO's to purchaseorders@kloppenber.com

2627 West Oxford Avenue, Englewood, Colorado 80110 • (303) 761-1615 • www.kloppenber.com



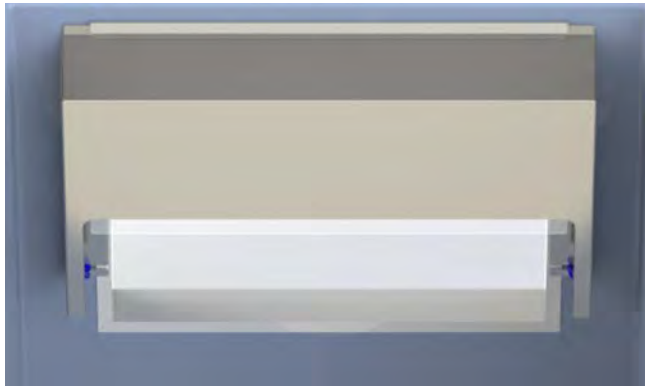
Shovel Door Hood Replacement Instructions

NOTE

Ice level should be below bottom of shovel door before removing the hood

Removal Instructions

1. Disconnect power supply ****For DISP Models ONLY****
2. Open shovel door
3. Locate thumb screws on the interior side of the shovel door (both left and right side about 2" up from the bottom of the door)
4. Loosen one screw (about $\frac{1}{2}$ "); do not remove the screw. Support the hood with one hand and loosen and remove the second thumb screw.
5. Slide the hood off the first screw. Lower the hood and turn to remove it out the shovel door opening.



Installation Instructions

1. Remove protective plastic coating from the plexiglass window
2. Turn the hood sideways the slide through shovel door opening.
3. Slide the hood under the lip on the interior upper side of the door. The slide onto the thumb screw that was left in place on the interior side of the door.
4. Supporting the hood with one hand put in the second thumb screw and tighten well. Now tighten the first screw.
5. Check to ensure plexiglass window moves freely up and down.



Manufacturer's Warranty

Obligations of Kloppenberg Products, LLC ("Kloppenberg") are exclusively limited to the original purchaser / registered owner.

Products must be registered with Kloppenberg within 30 days of installation.

Kloppenberg warrants that it will repair or replace at its own expense any commercial ice bin of its manufacture bearing the name Kloppenberg due to a factory defect in material and/or workmanship occurring within the first twelve (12) months from the date of installation or eighteen (18) months from date of shipment providing, the ice bin has been installed, and maintained in accordance with the procedures set forth in the product manual provided with each ice bin.

This warranty does not include parts or labor coverage for a factory component failure, or other damage resulting from:

- Failure to clean and maintain as set forth in the product manual
- Adverse operating conditions
- Drain line malfunctions
- Water content irregularities for any reason

All decisions regarding defects in material or workmanship or accident, alteration or misuse or improper maintenance or installation shall be made by Kloppenberg and shall be final and binding upon the parties. All claims must include the ice bin model number, serial number, original date of installation and customer identification.

This warranty is applicable only in the United States and Canada.

Kloppenberg assumes no liability for incidental or consequential damages of any kind or for any damages resulting in whole or in part from misuse or inadequate maintenance or the product or any part thereof.

THE WARRANTY DESCRIBED SHALL BE IN LIEU OF ANY OTHER WARRANTY EXPRESS OR IMPLIED, INCLUDING BUT NOT LIMITED TO, ANY IMPLIED WARRANTY OF MERCHANTABILITY OR FITNESS FOR A PARTICULAR PURPOSE.

ALL SUBJECT WARRANTY CLAIMS MUST BE PREAUTHORIZED



Limited Lifetime Warranty

Kloppenberg Products, LLC (“Kloppenberg”) warrants to the original purchaser that it will repair or replace at its own expense and discretion the following lifetime product models. Warranty applies to factory defect in material and/or workmanship exclusive to the polyethylene liner and stainless steel bin cabinet:

UPRIGHT MODELS

705 905 1045 1315 1325 1665

ICE SHUTTLE SYSTEM

SPS-1 SPS-1G SPS-2

ICE STORAGE DISPENSER

DISP-500 DISP-1000

Obligations of Kloppenberg are exclusively limited to the original purchaser / registered owner.

Lifetime warranty products must be registered with Kloppenberg within 30 days of installation.

To qualify for subject warranty, Kloppenberg Lifetime products must be installed and maintained in accordance with the procedures set forth in the product manual provided with each unit .

All decisions regarding defects in material, workmanship, accident, alteration, misuse, improper maintenance or installation shall be made by Kloppenberg and shall be final and binding upon both parties.

All claims must submitted directly to Kloppenberg.

Claims for shipments that are damaged are not covered by warranty and must be handled through the carrier.

Kloppenberg assumes no liability for warranted poly liner or cabinet conditions that do not result in an inoperable and unusable state.

The foregoing warranty shall not apply to cosmetic damage, punctures or any outside or internal damage from resulting from foreign objects.

Kloppenberg does not warrant incidental or consequential damages of any kind resulting in whole or in part from misuse or inadequate maintenance of the product or any part thereof.

Kloppenberg assumes no liability for damage of any kind that is a result of alteration or used parts that are not manufactured or approved in writing by Kloppenberg.

This warranty is applicable only in the United States and Canada.

Kloppenberg strongly advises that a pre-determination for any warranty be made by direct contact with Kloppenberg before any service has been called or completed.