

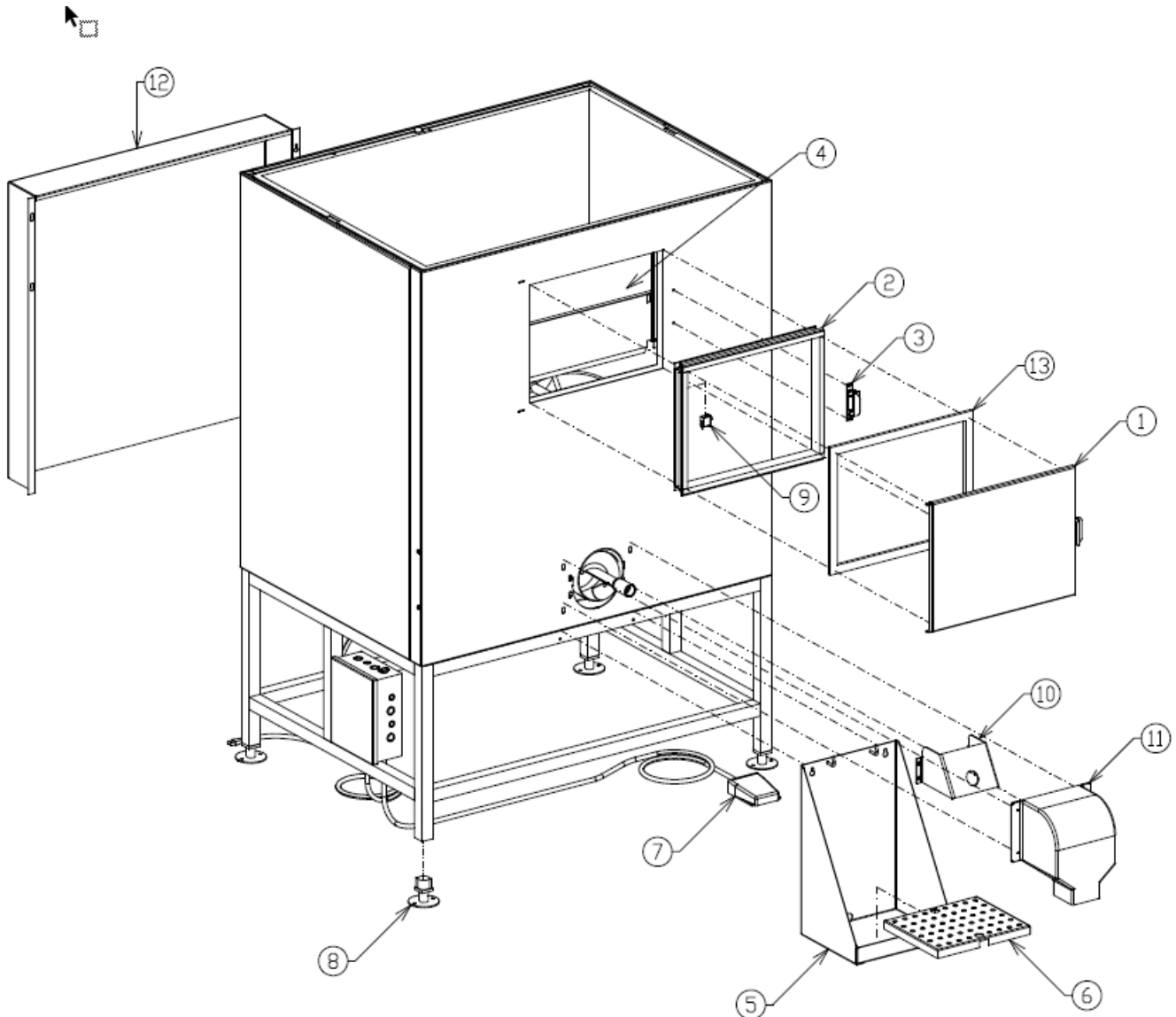


Toll Free Phone: 1-800-346-3246

www.kloppenberg.com

DISP-1000 (Front) Parts

Number	Part Number	Part Description
1	4030004	Shovel Door Assembly
2	4030045	Extrusion Kit - Shovel Door - Poly Liner
3	4060006	Shovel Door Latch Assembly
4	4030002	Shovel Door Hood Baffle Assembly
5	4080025	Drip Tray Assembly
6	3080027	Bag Catch False Bottom
7	4080016	Foot Pedal Switch
8	2300041	Flanged Feet
9	4080013	Door Switch
10	3080001	Angled Front Auger Bracket
11	4080008	S/S Ice Chute Assembly
12	3901006	Chain Cover
13	2750004	4-Sided Shovel Door Gasket



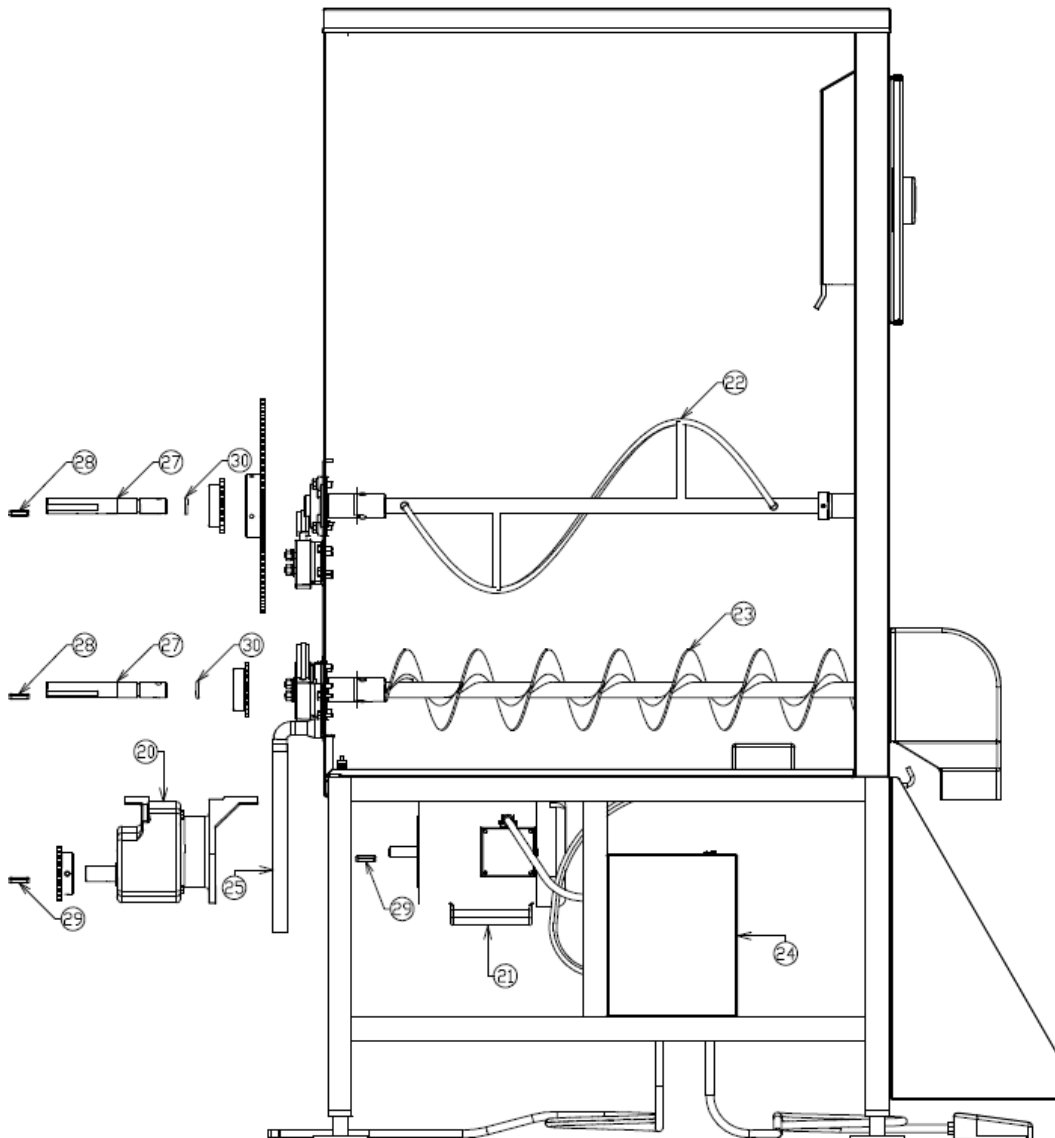


Toll Free Phone: 1-800-346-3246

www.kloppenberg.com

DISP-1000 (Side) Parts

<u>Number</u>	<u>Part Number</u>	<u>Part Description</u>
20	2400088	Gear Reducer
21	2400066	1/2 HP Motor
22	4080005	Agitator Assembly
23	4080006	Auger Assembly
24	1800027	Enclosure (electrical box)
25	2005113	Copper Tubing
27	4080020	Driveshaft
28	4080012	Keystock - S/S
29	4080018	Keystock - Al
30	2400084	O-Ring - Buna-70
31	2700042	Driveshaft Bushing



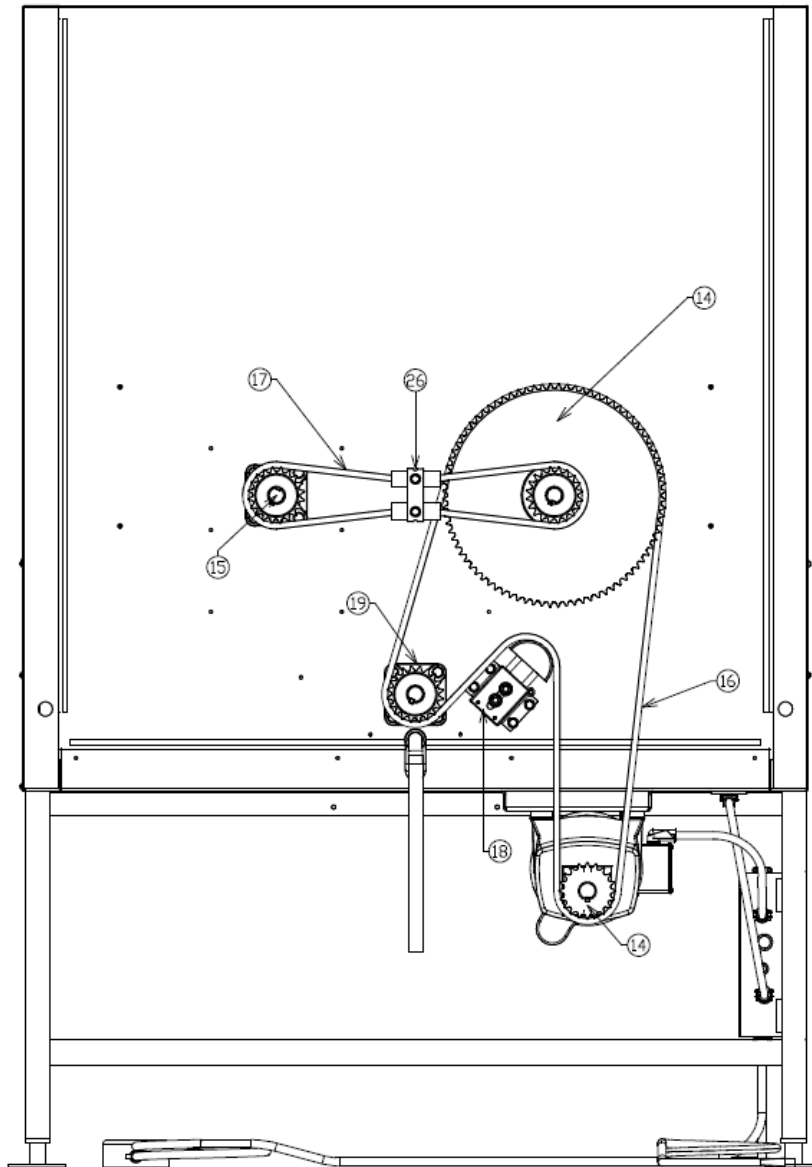


Toll Free Phone: 1-800-346-3246

www.kloppenberg.com

<u>Number</u>	<u>Part Number</u>	<u>Part Description</u>
14	2400080	Large Sprocket
15	2400079	Small Sprocket
16	4080015	Large Chain - 49"
17	4080015	Small Chain - 33"
18	2400078	Chain Tensioner
19	2400083	Flange Bearing
26	1600023	Bracket Chain Tensioner

DISP-1000 (Rear) Parts





Toll Free Phone: 1-800-346-3246

www.kloppenbergl.com

<u>Number</u>	<u>Part Number</u>	<u>Part Description</u>
32	4080011	Power Relay
33	2400076	Fuse - 2Amp, 250V, AGC Series
34	1800030	Transformer

DISP-1000 (Electrical) Parts

