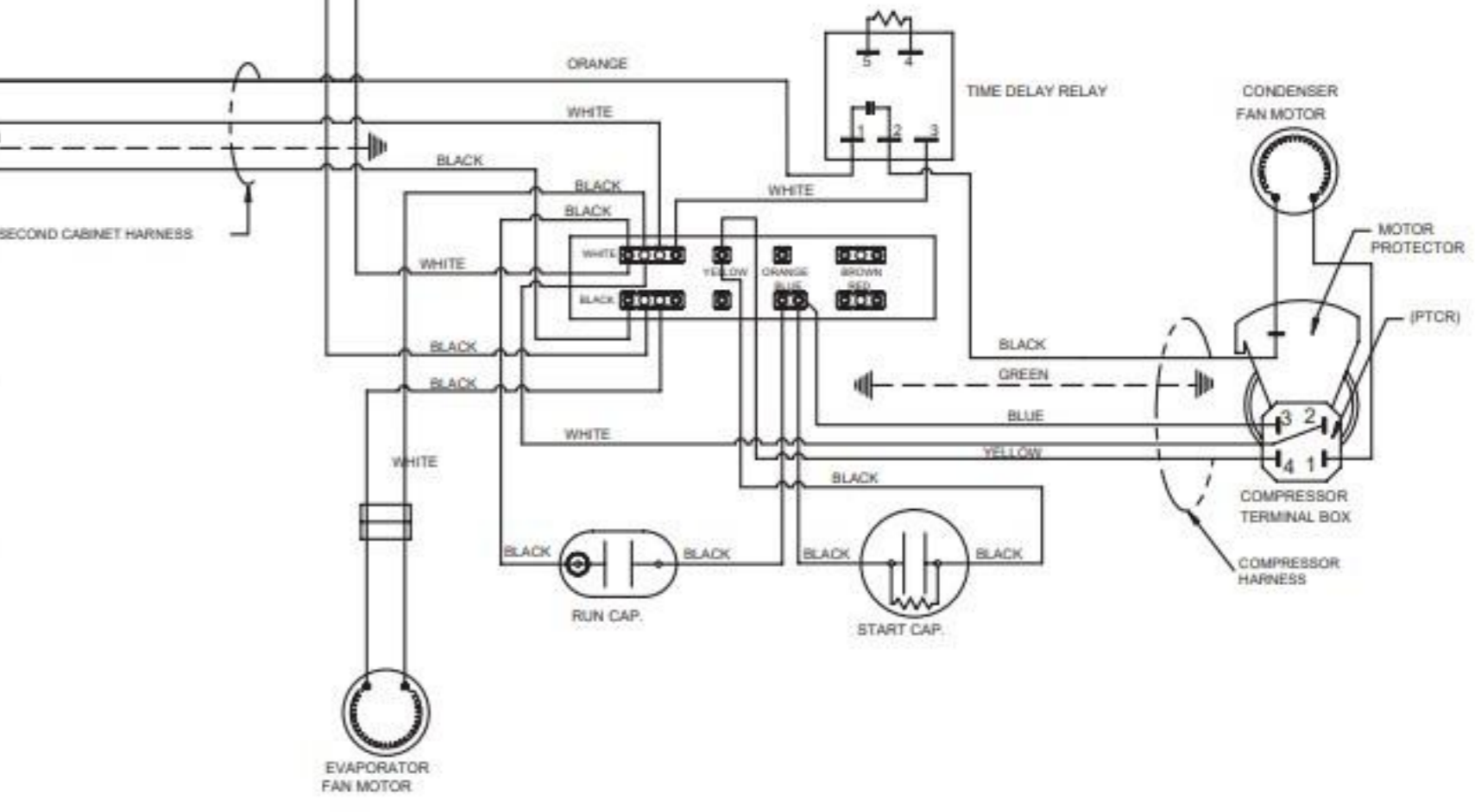
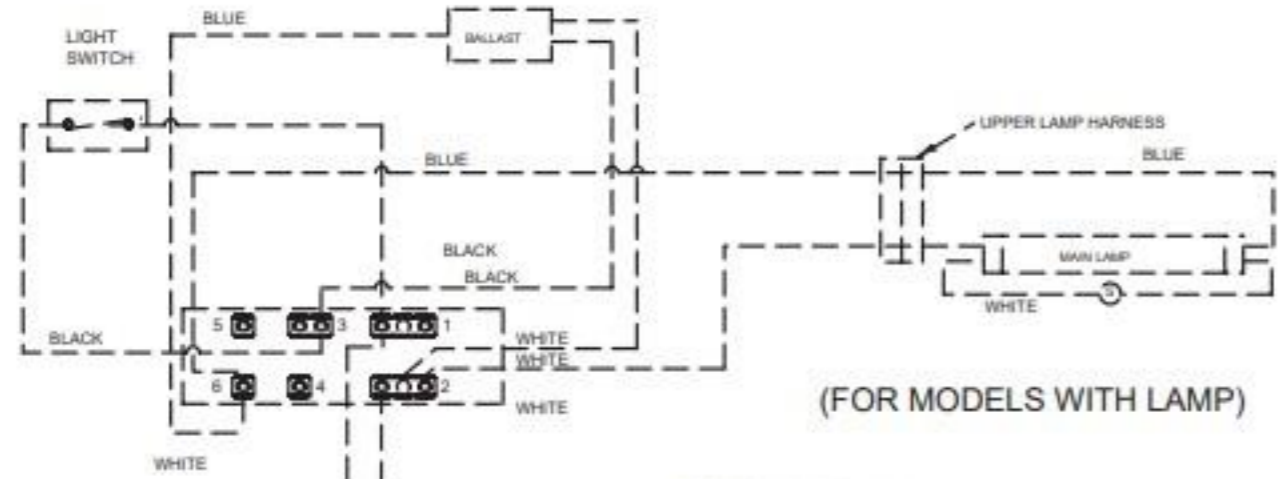


WIRING DIAGRAM, 6-FT DISPLAY, MED-TEMP.
00-0225-00





(FOR MODELS WITH LAMP)

WIRING DIAGRAM, 6-FT OPEN, MED-TEMP. 00-0226-00

