

Kelvinator 

Factory Parts Catalog

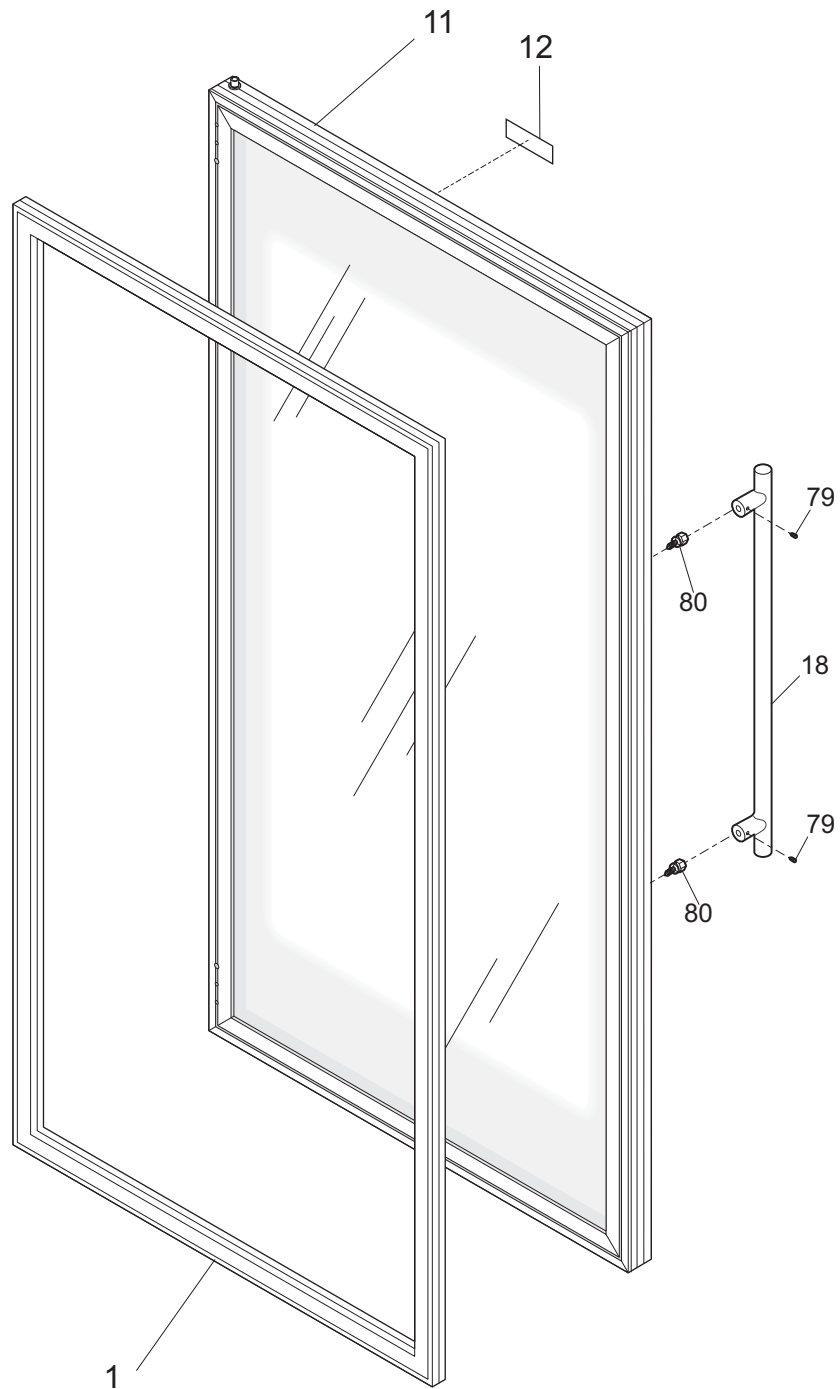
| | |
|---------------|---------------|
| Product No. | KGM220RHY3 |
| Series | Commercial |
| Color | gray |
| Volts | 115V |
| Owner's Guide | 297279901 |
| Market | North America |

REFRIGERATOR

Model No.
KGM220RHY

Publication No.
5995583902
11/01/13
(EN/SERVICE/BVB)
365

DOOR



P08D0595

DOOR

| POS. NO | PART NO. | DESCRIPTION |
|---------|-----------|---|
| 1 | 216657201 | Gasket-door, black |
| 11 | 297071600 | Door-assy, glass |
| 12 | 297146600 | Nameplate, Commercial |
| 18 | 297314000 | Handle |
| 18* | 297168700 | Instructions, handle |
| 79 | 218755401 | Screw-set, 10-32 x 0.375 |
| 80 | 218755504 | Screw-shoulder, #10 AB, handle mounting |

CABINET

| POS. NO | PART NO. | DESCRIPTION |
|---------|------------|--|
| 5 # | 216325600 | Fan Blade |
| 6 | 297200900 | Breaker Kit w/corners |
| 9 | 297200100 | Breaker Kit w/corners, 32", top and bottom |
| 13 # | 297250000 | Motor, fan, 115 V |
| 14 | 216660000 | Switch, rocker |
| 15 | 216659500 | Bulb-light, 40W, 130V |
| 16 | 216659900 | Socket-light/lamp |
| 16* | 297173500 | Ballast, FI Lamp |
| * # | 297069500 | Harness, electrical, evaporator |
| * | 297174300 | Screw, #8, 18x.63 |
| 18 | 216591501 | Knob, temp control |
| 21 # | 216660600 | Control-temperature |
| 22 | 216823500 | Clamp, cap tube, cold control |
| 22A | 5303916855 | Tube, sensor sleeve, plastic, clear |
| 24 | 5304460604 | Screw, type A, 10-24 x 3/8 |
| 25 | 216659101 | Cover-evaporator |
| 28 | 216658900 | Hinge-bottom |
| 29 | 216361901 | Hose-drain |
| 33 | 216680901 | Duct-air |
| 34 | 216659400 | Shield-light |
| 35 | 216273000 | Clip, wire retainer |
| 37 | 297273903 | Trim-cabinet corner, silver mist, (2) |
| 38 | 297211200 | Hinge-upper |
| 42 | 216681902 | Shelf, white, (2) |
| 43 | 216682002 | Shelf, white |
| 47 | 216680600 | Deflector-air |
| 49 | 216681802 | Trivet |
| 50 | 08013207 | Bracket-fan motor |
| 71A | 297146820 | Screw, 8-18AB x.470 QX |
| 72 | 297071200 | Grille/Kickplate |
| 93 | 5304460605 | Screw, ph truss head, 8-18AB x 0.500 |
| 102 | 297121900 | Support shelf |
| 103 | 216336301 | Standoff-base panel |
| 105 | 216361100 | Gasket-cover evap, RH |
| 107 | 297085805 | Castor Kit |
| 107* | 297086605 | Castor, hardware kit |
| 109 | 297014200 | Venturi, blower |
| 110 | 216377000 | Pan-drain, condensate |
| 111 | 297141400 | Bracket-evap cover |
| 111* | 3017666 | Nut-insert |
| 112 | 216381300 | Cover-drain, condensate |
| 113 | 216383602 | Grate-air intake |
| 114 | 297014400 | Cover-blower |
| 115 | 216383700 | Gasket-evap cover, LH |
| 116 | 216383800 | Gasket-evap cover, front |
| 117 | 216605500 | Thumbscrew |
| 120 | 297206600 | Caster-front, (2) |
| 121 | 297206500 | Caster-rear, (2) |
| 122 | 297095301 | Plug, black |
| 126 | 216658601 | Nut, lock, 5/16 UNC-3B |
| 130 | 297244700 | Support, evaporator mtg |

CABINET

| POS. NO | PART NO. | DESCRIPTION |
|---------|------------|--|
| 131 | 297122000 | Shelf-standard |
| 133 | 216658401 | Bolt, caster, 5/16 sq. neck, front |
| 134 | 297236250 | Screw, hex head, 1/4-20x5/8, hinge, (4) |
| 159 | 297070201 | Dial, thermometer |
| 160 | 297096100 | Screw, #6-20X.375 AB, stainless, thermo dial |
| 169 | 216912401 | Screw, hex washer head, 8-32 x 0.500, bracket fan mtr, (2) |
| 208 | 216504500 | Screw, AB, 8-18x.500 |
| * | 297001708 | Insulation, drain tube, 36" |
| * | 5303311565 | Clip-cable |
| * # | 297169900 | Cord-power, flat |

SYSTEM

| POS. NO | PART NO. | DESCRIPTION |
|---------|------------|--|
| 1 | 297152201 | Condenser |
| 2 | 5308000110 | Strap-evap/heater, aluminum, (2) |
| 4 # | 216938601 | Drier-filter |
| 5 # | 297170700 | Harness-electrical |
| 14 | 216730700 | Heater-defrost |
| 15 # | 297311300 | Evaporator |
| 15A | 297219300 | Heat Exchanger |
| 18 | 297078701 | Insulator-evap, styrofoam, RH |
| 19 | 297078801 | Insulator-evap, styrofoam, LH |
| 20 | 216731001 | Thermostat, defrost |
| 23 # | 216744500 | Timer-defrost |
| 24 | 216968501 | Bracket-timer |
| 24A | 297207900 | Guard, timer |
| 27 | 297102900 | Grommet, compressor |
| 29 # | 5304475102 | Compressor Kit, w/electricals |
| * | 240491503 | Screw-compressor mtg, 1/4-28 x 1.16, (4) |
| 30 | 216954228 | Controller |
| 31 | 297165801 | Pan-drain |
| 32 | 216954300 | Clip, controller |
| 41 | 297070700 | Cover-wiring, rear |
| 60 | 241584301 | Motor-condenser fan |
| 61 | 241639501 | Blade-condenser fan |
| 64 | 216578800 | Vent |
| 65 | 5309950074 | Valve, breather |
| 86 | 216036601 | Screw, RWHD, 8-32A x 0.500, GX-CA |
| 87 | 5304463290 | Screw, hi-lo blunt, #8-18X1/2 |
| 93 | 5304460605 | Screw, ph truss head, 8-18AB x 0.500 |
| 100 # | 297169900 | Cord-power, flat |
| 107 | 297225501 | Cover, access |
| 130 | 297244700 | Support, evaporator mtg |
| 136 | 240405201 | Grommet, rubber, black, cond tube/wire |
| 138 | 297070800 | Cover-drain hose |
| 146 | 297164000 | Shroud-fan orifice |
| 146* | 216337701 | Screw, HWH, 10-24 x 0.500, Swage |
| * | 216225700 | Grommet-spacer |
| * | 240555002 | Screw-#8-32 X 3/8 |
| * | 297048400 | Clip |
| * | 297082300 | Harness-jumper |
| * | 297111000 | Standoff |
| * | 5303311565 | Clip-cable |
| * | 297174300 | Screw, #8, 18x.63 |