

**Kelvinator** 

## Factory Parts Catalog

|               |               |
|---------------|---------------|
| Product No.   | KFS220RHY2    |
| Series        | Commercial    |
| Color         | Gray-S/S      |
| Volts         | 115V          |
| Owner's Guide | 297429400     |
| Market        | North America |

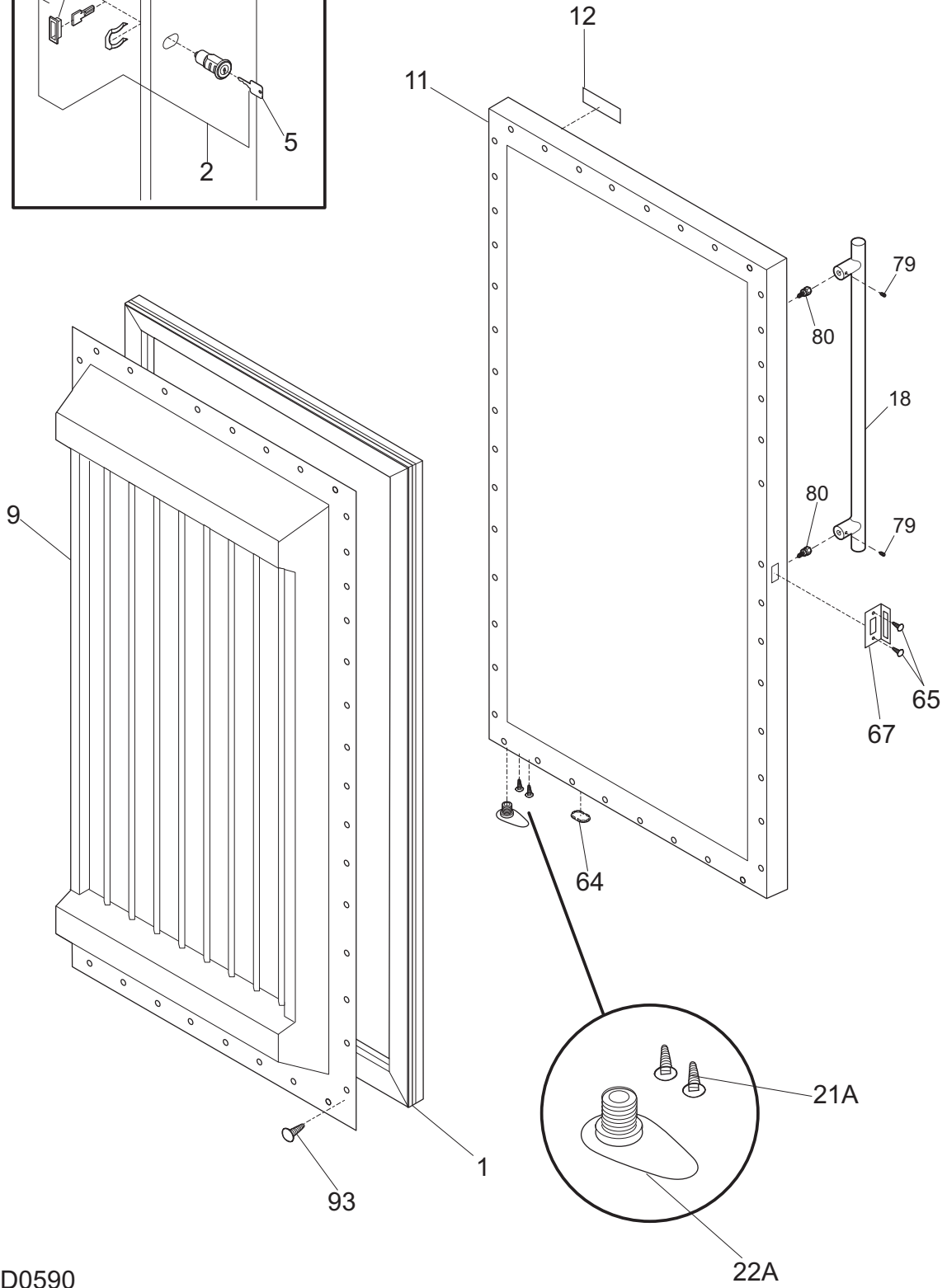
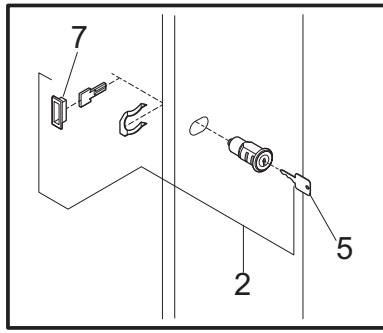
This Catalog replaces 5995616017

Publication No.  
**5995634507**  
13/07/18  
(EN/SERVICE/JW)  
365

### UPRIGHT FREEZER

Model No.  
KFS220RHY

DOOR



P08D0590

---

**DOOR**


---

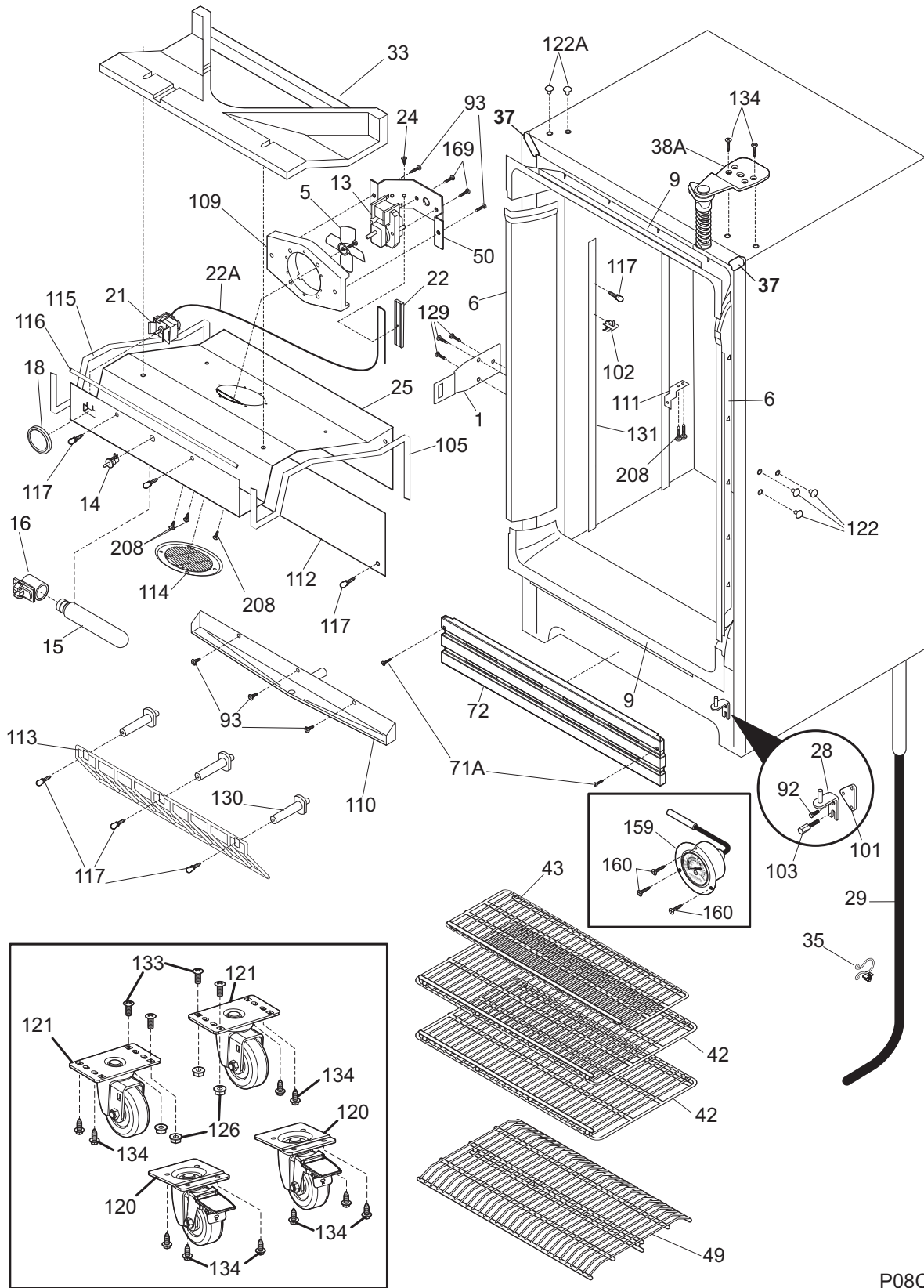
| POS. NO | PART NO.   | DESCRIPTION                                    |
|---------|------------|--|
| 1       | 216522318  | Gasket-door, black                             |
| 2 #     | 216362700  | Lock Assy                                      |
| 5 #     | 216362800  | Key, lock                                      |
| 7       | 216468700  | Bezel-lock                                     |
| 9       | 216529700  | Panel-inner door                               |
| 11      | 297255302  | Panel-outer door                               |
| 12      | 297146600  | Nameplate, Commercial                          |
| 18      | 297314000  | Handle   |
| *       | 240537301  | Nut-anchor, door hdl screw                     |
| *       | 5300158222 | Screw-anchor, 8-18                             |
| 21A     | 216850900  | Screw, hex washer hd, 1/4 x 7/8, door stop/hng |
| 22A     | 216335400  | Bearing-hinge                                  |
| 64      | 216403701  | Plug-button, hole filler, door base            |
| 65      | 216423501  | Screw-retainer                                 |
| 67      | 216423000  | Retainer-lock                                  |
| 79      | 218755401  | Screw-set, 10-32 x 0.375                       |
| 80      | 218755504  | Screw-shoulder, #10 AB, handle mounting        |
| 93      | 216858001  | Screw, 8-18x.50 AB, #10                        |
| *       | 216923003  | Plug button, 1/4", grey, (2)                   |



**CABINET**

| POS. NO | PART NO.   | DESCRIPTION                                    |
|---------|------------|--|
| 1       | 297222500  | Lock-catch                                     |
| 5 #     | 216325600  | Fan Blade                                      |
| 6       | 297200900  | Breaker Kit w/corners                          |
| 9       | 297200100  | Breaker Kit w/corners, 32", top and bottom     |
| 13 #    | 297250000  | Motor, fan, 115 V                              |
| 14      | 297243800  | Switch, light/lamp, plunger                    |
| 15      | 216518101  | Lamp, blue, 40 watt, 130 volt                  |
| 16      | 297139500  | Socket, light/lamp                             |
| 18      | 216591501  | Knob, temp control                             |
| 21      | 216579100  | Control-temperature, NSF                       |
| 22      | 216823500  | Clamp, cap tube, cold control                  |
| 22A     | 5303916855 | Tube, sensor sleeve, plastic, clear            |
| 24      | 5304460604 | Screw, type A, 10-24 x 3/8                     |
| 25      | 216659103  | Cover-evaporator                               |
| 25*#    | 297069300  | Harness, electrical, evaporator                |
| 28      | 216335600  | Hinge-bottom, stepped pin                      |
| 29      | 216361901  | Hose-drain                                     |
| 33      | 216680901  | Duct-air                                       |
| 35      | 216273000  | Clip, wire retainer                            |
| 37      | 297273903  | Trim-cabinet corner, silver mist, (2)          |
| 38A     | 297215900  | Hinge-top, door closer                         |
| 42      | 216384002  | Shelf-full frame                               |
| 43      | 216386202  | Shelf-partial                                  |
| 49      | 216331802  | Trivet   |
| 50      | 08013207   | Bracket-fan motor                              |
| 71A     | 216395801  | Screw, 1/4 20 x 1/2                            |
| 72      | 297071200  | Grille/Kickplate                               |
| 92      | 216850900  | Screw, hex washer hd, 1/4 x 7/8, door stop/hng |
| 93      | 5304460605 | Screw, ph truss head, 8-18AB x 0.500           |
| 101     | 216335700  | Plate-hinge, tapping                           |
| 102     | 297121900  | Support shelf                                  |
| 103     | 216336301  | Standoff-base panel                            |
| 105     | 216361100  | Gasket-cover evap, RH                          |
| 109     | 297014200  | Venturi, blower                                |
| 110     | 216377000  | Pan-drain, condensate                          |
| 111     | 297141400  | Bracket-evap cover                             |
| 111*    | 3017666    | Nut-insert                                     |
| 112     | 216381300  | Cover-drain, condensate                        |
| 113     | 216383602  | Grate-air intake                               |
| 114     | 297014300  | Cover-blower                                   |
| 115     | 216383700  | Gasket-evap cover, LH                          |
| 116     | 216383800  | Gasket-evap cover, front                       |
| 117     | 216605500  | Thumbscrew                                     |
| 120     | 297206600  | Caster-front, (2)                              |
| 121     | 297206500  | Caster-rear, (2)                               |
| 122     | 215774920  | Plug button, silver mist                       |
| 122A    | 216429602  | Plug-button, black, upr hinge holes            |
| 126     | 216658601  | Nut, lock, 5/16 UNC-3B                         |
| 129     | 216393301  | Screw-lock catch, one way                      |
| 130     | 297244700  | Support, evaporator mtg                        |
| 131     | 297122000  | Shelf-standard                                 |

CABINET



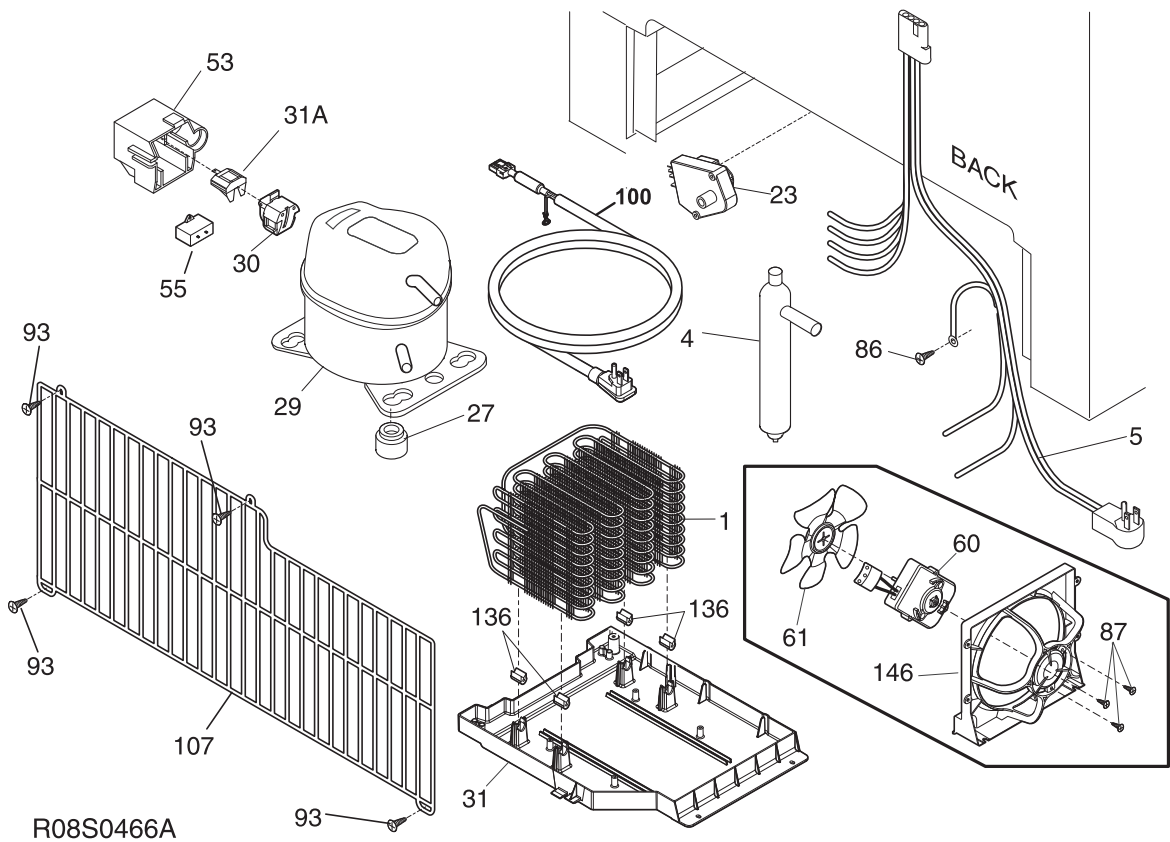
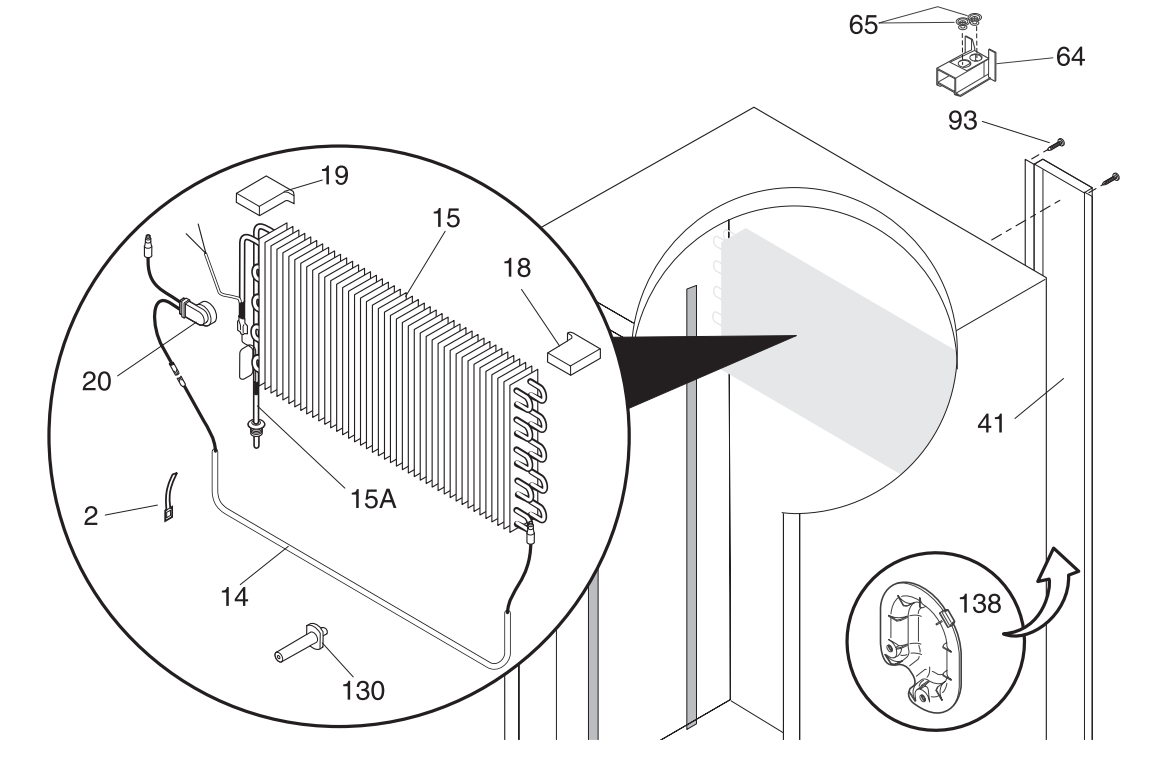
P08C1277

**CABINET**

---

| POS. NO | PART NO.   | DESCRIPTION  |
|---------|------------|--|
| 133     | 216658401  | Bolt, caster, 5/16 sq. neck, front                         |
| 134     | 297236250  | Screw, hex head, 1/4-20x5/8, hinge                         |
| 159     | 297070201  | Dial, thermometer  |
| 160     | 297096100  | Screw, #6-20X.375 AB, stainless, thermo dial               |
| 169     | 216912401  | Screw, hex washer head, 8-32 x 0.500, bracket fan mtr, (2) |
| 208     | 216504500  | Screw, AB, 8-18x.500                                       |
| *       | 297086605  | Castor, hardware kit                                       |
| *       | 297211400  | Installation Instructions, casters                         |
| *       | 297001708  | Insulation, drain tube, 36"                                |
| *       | 297090800  | Label, freezer   |
| *       | 5303311565 | Clip-cable   |

**SYSTEM**



## SYSTEM

---

| POS. NO | PART NO.   | DESCRIPTION                              |
|---------|------------|--|
| 1 #     | 5300083897 | Condenser                                |
| 2       | 5308000110 | Strap-evap/heater, aluminum, (2)         |
| 4 #     | 216938601  | Filter - Dryer                           |
| 5 #     | 297337300  | Harness-main                             |
| 5*      | 216987800  | Adapter-harness                          |
| *       | 297082300  | Harness-jumper                           |
| 14      | 216730700  | Heater-defrost                           |
| 15 #    | 297311300  | Evaporator                               |
| 15A     | 297219100  | Heat Exchanger                           |
| 18      | 297078701  | Insulator-evap, styrofoam, RH            |
| 19      | 297078801  | Insulator-evap, styrofoam, LH            |
| 20      | 297216600  | Thermostat, defrost                      |
| 23 #    | 297318010  | Timer, defrost, 115V, tab                |
| 29 #    | 216966900  | Compressor, assy                         |
| 30 #    | 216894200  | Starter, relay                           |
| 31      | 297165801  | Pan-drain                                |
| 31A#    | 216100126  | Overload Protector                       |
| 41      | 297070700  | Cover-wiring, rear                       |
| 53      | 216894500  | Cover-terminal                           |
| 55 #    | 297286810  | Capacitor-run, 250 VA, 15 UF             |
| 60      | 297279500  | Motor-condenser fan                      |
| 61      | 241639501  | Blade-condenser fan                      |
| 64      | 216578800  | Vent                                     |
| 65      | 5309950074 | Valve, breather                          |
| 86      | 216036601  | Screw, RWHD, 8-32A x 0.500, GX-CA        |
| 87      | 5304463290 | Screw, hi-lo blunt, #8-18X1/2            |
| 100#    | 297169900  | Cord-power, flat                         |
| 107     | 297225501  | Cover, access                            |
| 130     | 297244700  | Support, evaporator mtg                  |
| 136     | 240405201  | Grommet, rubber, black, cond tube/wire   |
| *       | 240491503  | Screw-compressor mtg, 1/4-28 x 1.16, (4) |
| 138     | 297070800  | Cover-drain hose                         |
| 146     | 297164000  | Shroud-fan orifice                       |
| 146*    | 216337701  | Screw, HWH, 10-24 x 0.500, Swage         |
| *       | 5303311565 | Clip-cable                               |
| *       | 216225700  | Grommet-spacer                           |
| *       | 297102800  | Spacer-tube                              |
| *       | 240555002  | Screw-#8-32 X 3/8                        |