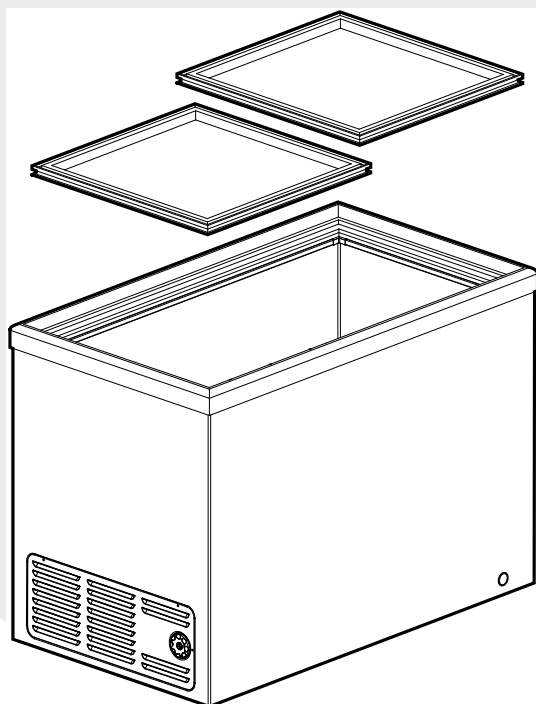




Factory Parts Catalog



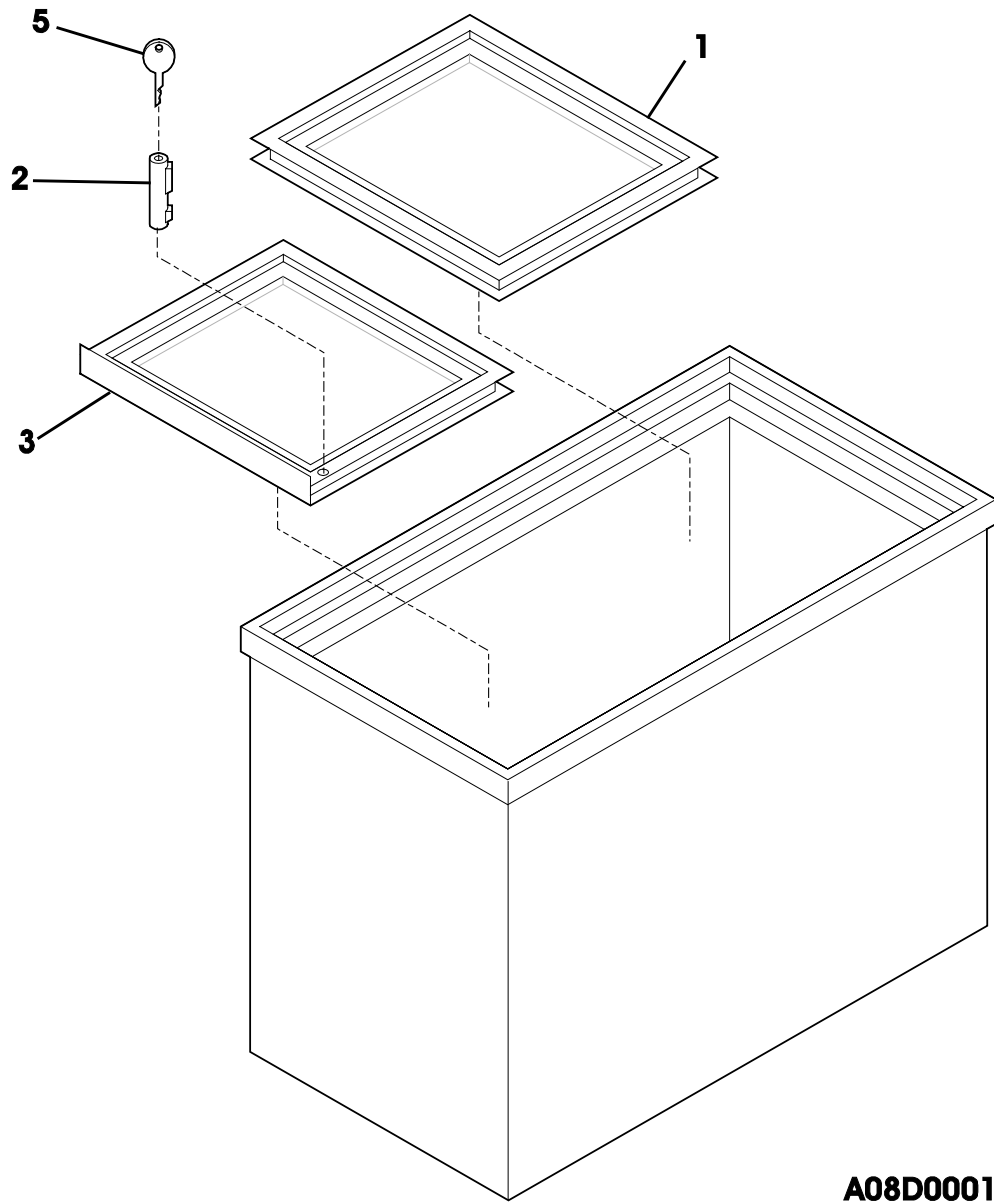
Product No.	KCNF160QWA
Series	Commercial
Color	white
Volts	115
Owner's Guide	A01063901
Market	North America

FREEZER CHEST

Model No.
KCNF160QW

Publication No.
5995660908
15/05/07
(EN/SERVICE/)
365

DOOR

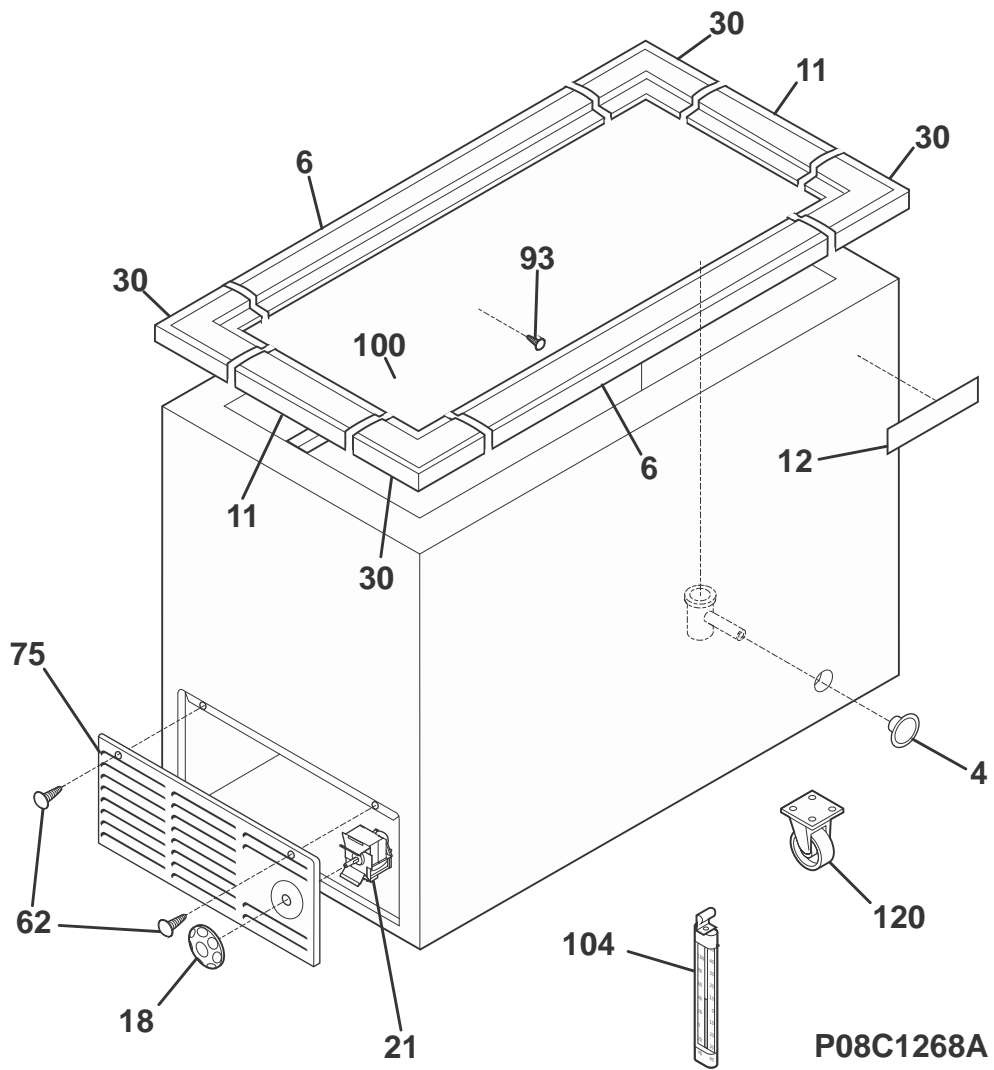
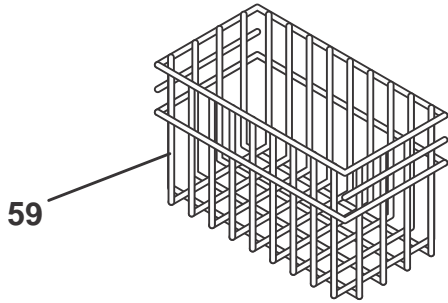


A08D0001

DOOR

POS. NO	PART NO.	DESCRIPTION
1	5304502217	Lid, glass, top
2	216621200	Lock Assy, frzr lid
3	5304502218	Lid, w/fixed lock, glass, bottom
5	216621300	Key, frzr lid lock
*	5303925098	Insulation

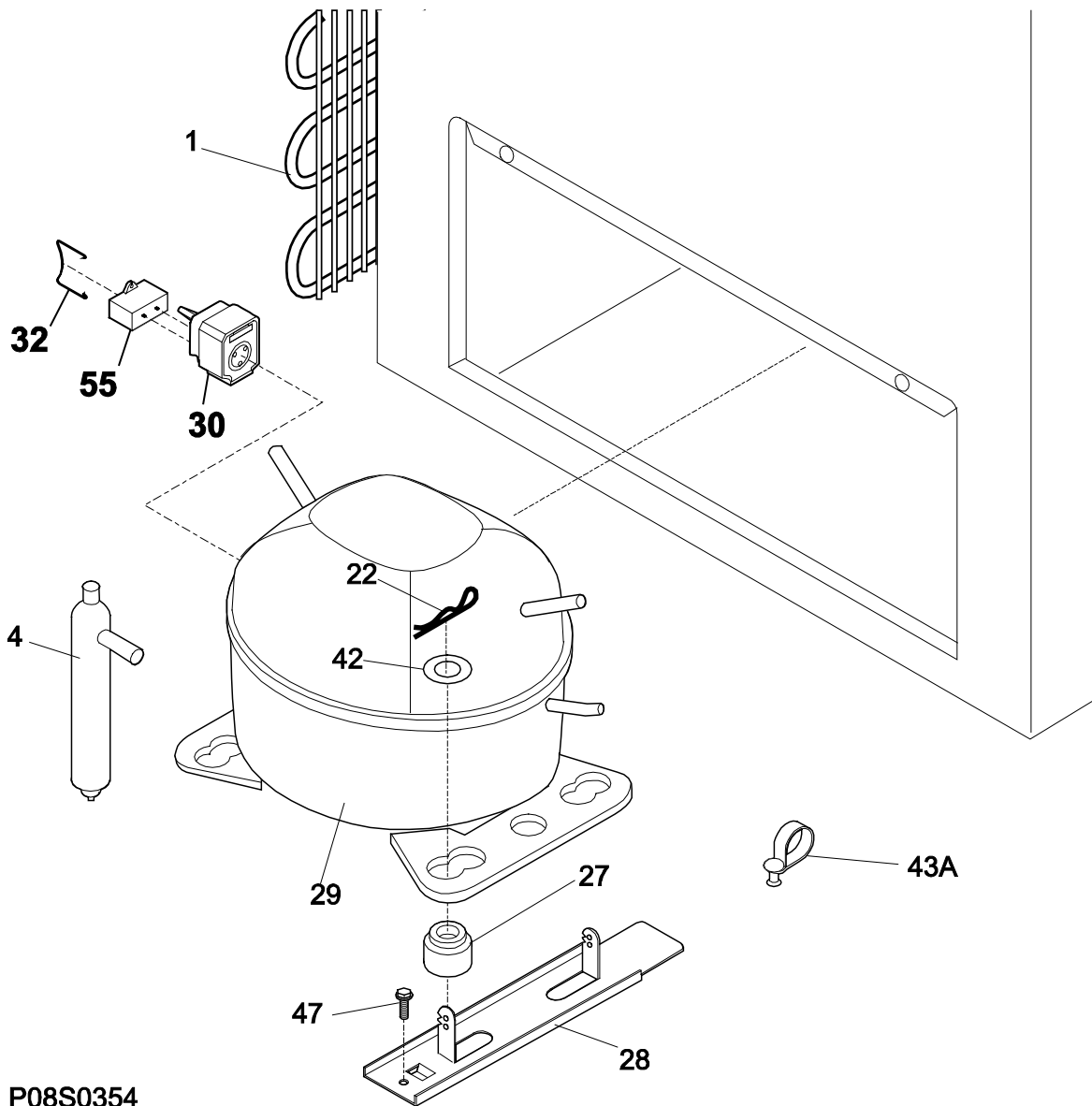
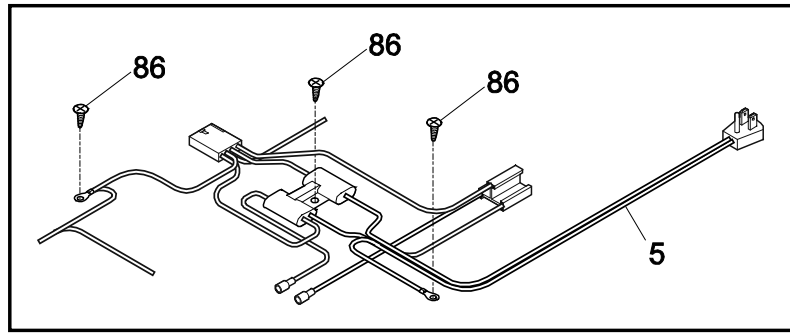
CABINET



CABINET

POS. NO	PART NO.	DESCRIPTION
3	216502600	Plug, drain, interior
4	297013600	Plug, drain, exterior
6	5304493711	Breaker, w/o lock
11	5304493668	Breaker, white, chest end
12	297146601	Nameplate, Commercial
18	216707201	Knob, temp control
21 #	297216036	Control-temperature
30	5304495365	Breaker, white, corners
59	297405001	Basket
73	297070101	Thermometer
75	216034301	Panel, access, white
79	3017666	Nut-insert
93	5304460605	Screw, ph truss head, 8-18AB x 0.500
100	297424802	Track, basket
120	216621000	Caster
150	216997400	Support, track-basket
*	5303305324	Paint, touch-up, white
*	216614300	Screw
*	216621100	Wrench
*	5303313703	Clip, wire

SYSTEM



P08S0354

SYSTEM

POS. NO	PART NO.	DESCRIPTION
1 #	5303280307	Condenser
4 #	297396820	Filter-dryer
5 #	297346110	Harness, main
22	216056401	Clip-compressor mtg
27	5308002681	Grommet, compressor
28	5304464023	Support, compressor
29 #	297438450	Compressor, DJK51C
30	297259505	Controller, compressor
32	216954300	Clip, controller
42	216232701	Washer, flat
43A	5303212614	Clip, harness mount
47	216629601	Screw, hex washer head, 10-16 x 0.500, tapping
55	297286802	Capacitor-run, 250 VA, 12 MF
86	216036601	Screw, RWHD, 8-32A x 0.500, GX-CA
* #	297439100	Heat Exchanger