



COMMERCIAL

Spare Parts List

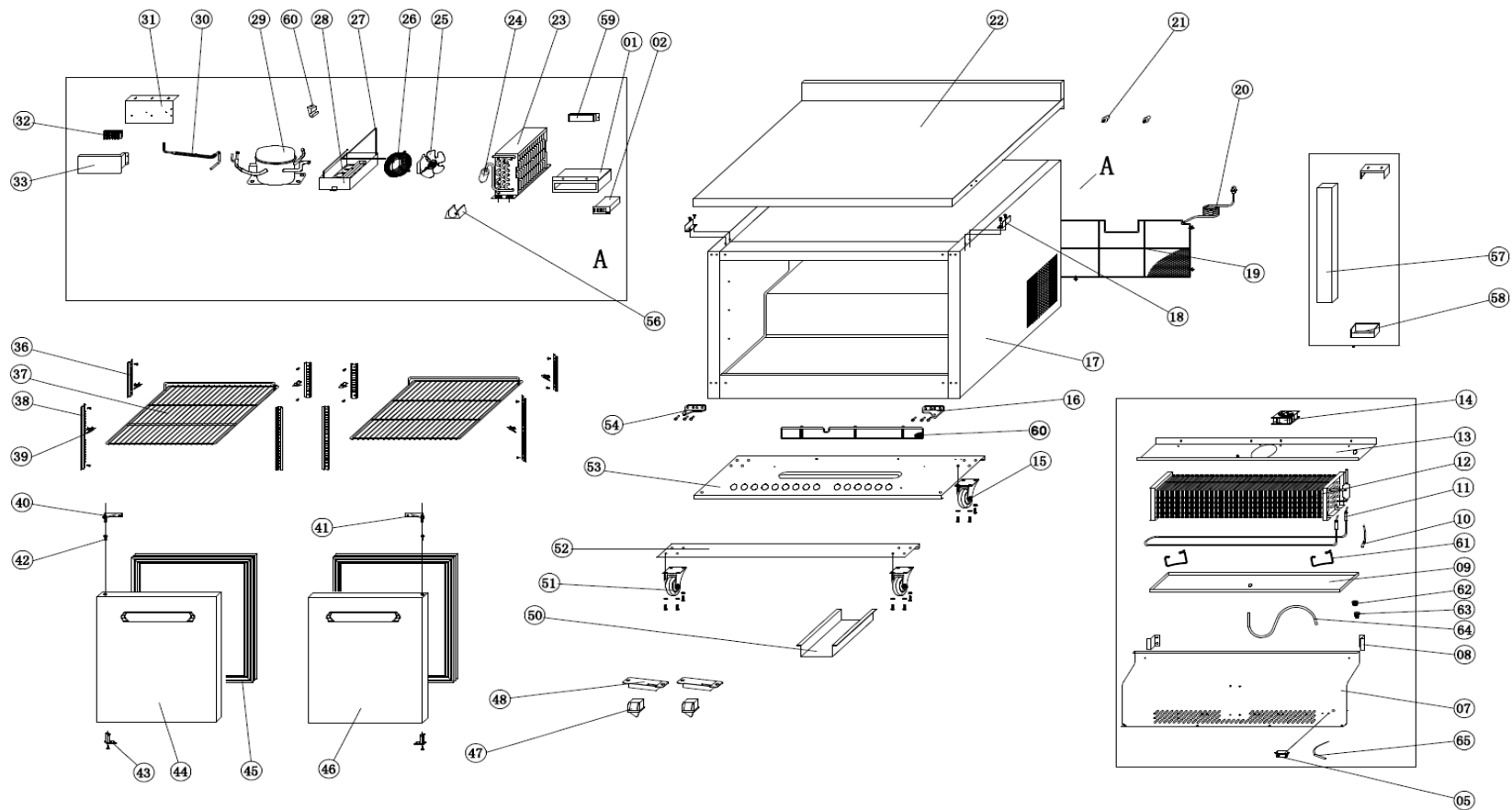
Model: KCHUCWT36F

PNC: 738339

REV: 7/15/2024

NO	DESCRIPTION	Serial #	QTY	COMPONENT PNC	Model Number	Model PNC
1	Controller Mounting Plate	ALL	1PC	0USDIF	KCHUCWT36F	738339
2	Thermostat	ALL	1PC	0USDES	KCHUCWT36F	738339
5	Sensor Fixed BOX	ALL	1PC	0USM10	KCHUCWT36F	738339
7	Evaporator Cover	ALL	1PC	0USE6E	KCHUCWT36F	738339
8	Fixed Support Of Evaporator Cover	ALL	2PCS	0USDYG	KCHUCWT36F	738339
9	Evaporator Water Pan	ALL	1PC	0USE6F	KCHUCWT36F	738339
10	Protector For Heating Element	ALL	1PC	0USH71	KCHUCWT36F	738339
11	Defrost Heating Element	ALL	1PC	0USE6G	KCHUCWT36F	738339
12	Evaporator	ALL	1PC	0USE6H	KCHUCWT36F	738339
12a	Evaporator Temperature Sensor Probe	ALL	1PC	0USC6U	KCHUCWT36F	738339
13	Circle Fan Support	ALL	1PC	0USE6I	KCHUCWT36F	738339
14	Circle Fan	ALL	1PC	096250	KCHUCWT36F	738339
15	Normal Wheel	ALL	2PCS	0USH63	KCHUCWT36F	738339
16	Door Hinge/Right	ALL	1PC	0USE4W	KCHUCWT36F	738339
17	Body	ALL	1PC	N/A	KCHUCWT36F	738339
18	Top Clip	ALL	2PCS	0USL80	KCHUCWT36F	738339
19	Unit Room Cover	ALL	1PC	0USE6T	KCHUCWT36F	738339
20	Plug	ALL	1PC	0USDKI	KCHUCWT36F	738339
21	Location Knob	ALL	2PCS	0USH46	KCHUCWT36F	738339
22	Top	ALL	1PC	0USE6U	KCHUCWT36F	738339
23	Condenser	ALL	1PC	0USF34	KCHUCWT36F	738339
24	Filter Drier	ALL	1PC	0USG65	KCHUCWT36F	738339
24a	Capillary	ALL	1PC	0USL77	KCHUCWT36F	738339
25	Condenser Fan	ALL	1PC	0USF40	KCHUCWT36F	738339
25a	Fan Blade	ALL	1PC	0USC4J	KCHUCWT36F	738339
26	Basket Guard Grills	ALL	1PC	0USDIJ	KCHUCWT36F	738339
27	Evaporate Pipe	ALL	1PC	0USE6K	KCHUCWT36F	738339
28	Water Box	ALL	1PC	0USI34	KCHUCWT36F	738339
29	Compressor	ALL	1PC	0USF28	KCHUCWT36F	738339
29a	COMPRESSOR ELECTRICAL COMPONENT SET	ALL	1PC	0USDF5	KCHUCWT36F	738339
30	Suction Pipe	ALL	1PC	0USE6L	KCHUCWT36F	738339
31	Connector Support	ALL	1PC	0USDEE	KCHUCWT36F	738339
32	Cable Connector	ALL	1PC	0USF09	KCHUCWT36F	738339
33	Connector Cover	ALL	1PC	0USJ98	KCHUCWT36F	738339
36	Shelf Support B	ALL	4PCS	0USI66	KCHUCWT36F	738339
36a	Shelf Support Screw	ALL	8PCS	0USM14	KCHUCWT36F	738339
37	Shelf	ALL	2PCS	0USE6M	KCHUCWT36F	738339
38	Shelf Support A	ALL	4PCS	0USI44	KCHUCWT36F	738339
38a	Shelf Support Screw	ALL	12PCS	0USM14	KCHUCWT36F	738339
39	K Shape Clip	ALL	8PCS	0USH19	KCHUCWT36F	738339
40	Up Hinge/Left	ALL	1PC	0USE4N	KCHUCWT36F	738339
41	Up Hinge /Right	ALL	1PC	0USE4X	KCHUCWT36F	738339
42	Bushing	ALL	2PCS	096268	KCHUCWT36F	738339
43	Door Spring Hinge	ALL	2PCS	0USE4V	KCHUCWT36F	738339
44	Door /Left	ALL	1PC	0USE6N	KCHUCWT36F	738339
45	Gasket	ALL	2PCS	0USE6O	KCHUCWT36F	738339
46	Door /Right	ALL	1PC	0USE6P	KCHUCWT36F	738339
47	Door Switch	ALL	2PCS	096253	KCHUCWT36F	738339
48	Door Switch Case	ALL	2PCS	0USF88	KCHUCWT36F	738339
50	CABLE COVER	ALL	1PC	0USK07	KCHUCWT36F	738339
51	Brake Wheel	ALL	2PCS	0USF03	KCHUCWT36F	738339
51a	Castor Mounting Bolt (4-PACK)	ALL	4PC	0USC2U	KCHUCWT36F	738339
51b	Castor Mounting Locking Washer (4-PACK)	ALL	4PC	0USC4A	KCHUCWT36F	738339
51c	Castor Mounting Flat Washer (4-PACK)	ALL	4PC	0USC2X	KCHUCWT36F	738339

52	Front Support Of Unit Board	ALL	1PC	0USE6R	KCHUCWT36F	738339
53	Back Support Of Unit Board	ALL	1PC	0USE6S	KCHUCWT36F	738339
54	Door Hinge/Left	ALL	1PC	0USE40	KCHUCWT36F	738339
56	Drier Support	ALL	1PC	0USI78	KCHUCWT36F	738339
57	Middle Girder	ALL	1PC	0USC6C	KCHUCWT36F	738339
58	Middle Girder Fixer	ALL	2PCS	0USH59	KCHUCWT36F	738339
59	Transformer	ALL	1PC	096252	KCHUCWT36F	738339
60	Unit Room Cover - Bottom	ALL	1PC	0USFAG	KCHUCWT36F	738339
61	Jumpring for Heating Element	ALL	1PC	0USFB4	KCHUCWT36F	738339
62	Drain Pipe(A Int)	ALL	1PC	096263	KCHUCWT36F	738339
62a	Drain Holder	ALL	1PC	0USN86	KCHUCWT36F	738339
63	Drain Pipe(B Ext)	ALL	1PC	0USG04	KCHUCWT36F	738339
64	Drain Pipe	ALL	1PC	0USN87	KCHUCWT36F	738339
64a	DRAIN FIXER	ALL	1PC	0USN75	KCHUCWT36F	738339
65	Temperature Sensor Probe	ALL	1PC	0USC6U	KCHUCWT36F	738339



EXPLODE OF KCHWT36F