



Model: KCHUC48R-32

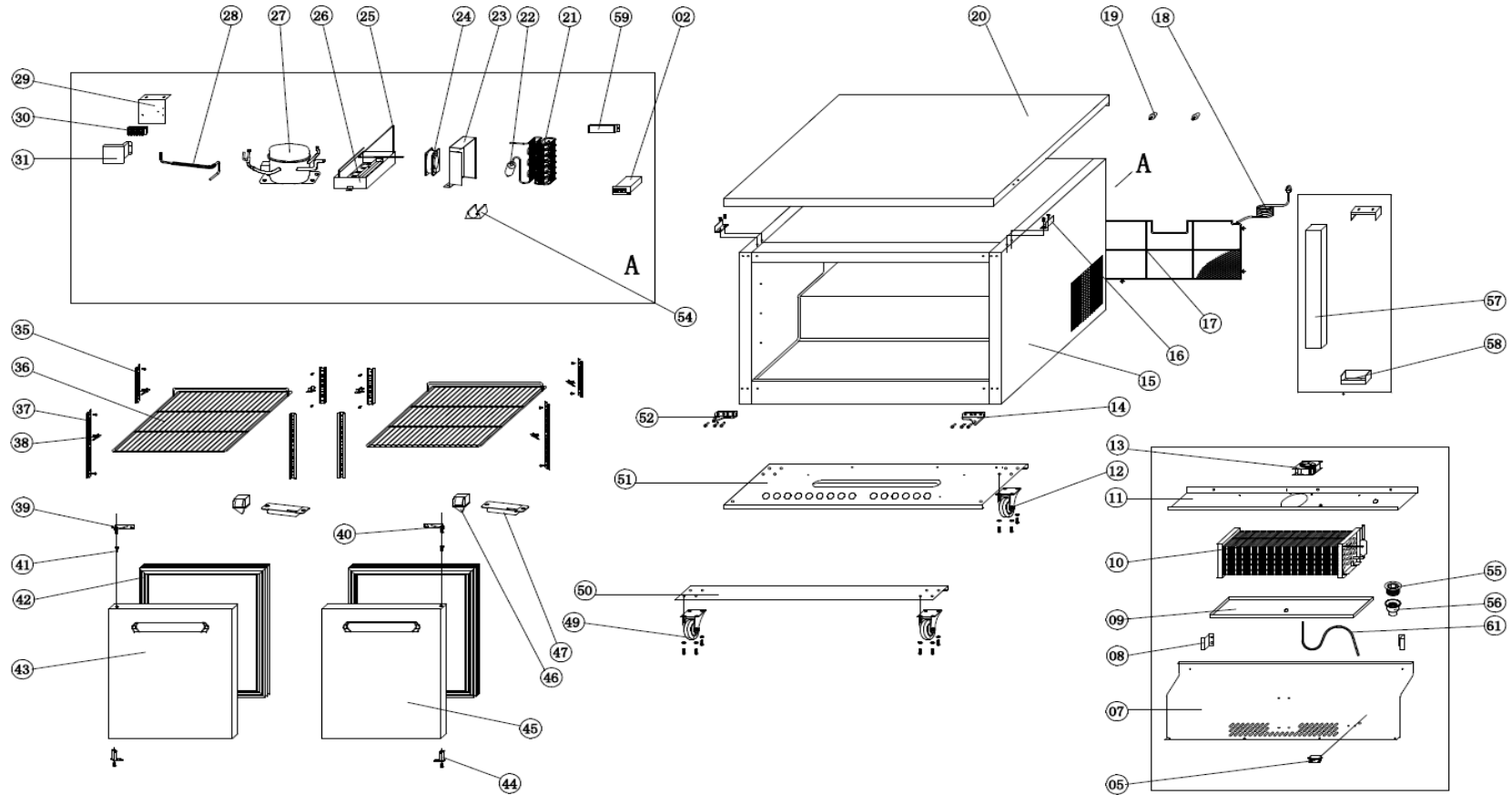
PNC: 738332

REV: 4/18/2024

Spare Parts List

NO	DESCRIPTION	Serial #	QTY	COMPONENT PNC	Model Number	Model PNC
2	Thermostat	ALL	1PC	0USDET	KCHUC48R-32	738332
2a	Inner Chest Temperature Sensor Probe	ALL	1PC	0USC4C	KCHUC48R-32	738332
2b	Controller Mounting Plate	ALL	1PC	0USDIF	KCHUC48R-32	738332
5	Sensor Fixed BOX	ALL	1PC	0USM10	KCHUC48R-32	738332
7	Evaporator Cover	ALL	1PC	0USL36	KCHUC48R-32	738332
8	Fixed Support Of Evaporator Cover	ALL	2PCS	0USK05	KCHUC48R-32	738332
9	Evaporator Water Pan	ALL	1PC	0USG60	KCHUC48R-32	738332
10	Evaporator	ALL	1PC	0USG37	KCHUC48R-32	738332
10a	Evaporator Temperature Sensor Probe	ALL	1PC	0USC6R	KCHUC48R-32	738332
11	Circle Fan Support	ALL	1PC	0USK35	KCHUC48R-32	738332
12	Normal Wheel	ALL	2PCS	0USE2N	KCHUC48R-32	738332
13	Circle Fan	ALL	1PC	096250	KCHUC48R-32	738332
14	Lower Door Hinge/Right	ALL	1PC	0USE4W	KCHUC48R-32	738332
15	Body	ALL	1PC	N/A	KCHUC48R-32	738332
16	Top Clip	ALL	2PCS	0USL80	KCHUC48R-32	738332
17	Unit Room Cover	ALL	1PC	0USE4Y	KCHUC48R-32	738332
18	Plug	ALL	1PC	0USH67	KCHUC48R-32	738332
19	Location Knob	ALL	1PC	0USH46	KCHUC48R-32	738332
20	Top	ALL	1PC	0USE4Z	KCHUC48R-32	738332
21	Condenser	ALL	1PC	0USF38	KCHUC48R-32	738332
22	Filter Drier	ALL	1PC	0USG65	KCHUC48R-32	738332
22a	CAPILLARY	ALL	1PC	0USM33	KCHUC48R-32	738332
23	Condenser Fan Board	ALL	1PC	0USK25	KCHUC48R-32	738332
24	Condenser Fan	ALL	1PC	0USF14	KCHUC48R-32	738332
25	Evaporate Pipe	ALL	1PC	0USG20	KCHUC48R-32	738332
26	Water Box	ALL	1PC	0USI35	KCHUC48R-32	738332
27	Compressor	ALL	1PC	0USF25	KCHUC48R-32	738332
27a	COMPRESSOR ELECTRICAL COMPONENT SET	ALL	1PC	0USDF2	KCHUC48R-32	738332
28	Suction Pipe	ALL	1PC	0USO26	KCHUC48R-32	738332
29	Connector Support	ALL	1PC	0USDEE	KCHUC48R-32	738332
30	Cable Connector	ALL	1PC	0USF09	KCHUC48R-32	738332
31	Connector Cover	ALL	1PC	0USJ98	KCHUC48R-32	738332
35	Shelf Support B	ALL	4PCS	0USI66	KCHUC48R-32	738332
35a	Shelf Support Screw	ALL	8PCS	0USM14	KCHUC48R-32	738332
36	SHELF	ALL	2PCS	0USCOM	KCHUC48R-32	738332
37	Shelf Support A	ALL	4PCS	0USI44	KCHUC48R-32	738332
37a	Shelf Support Screw	ALL	12PCS	0USM14	KCHUC48R-32	738332
38	K Shape Clip	ALL	8PCS	0USH19	KCHUC48R-32	738332
39	Up Hinge/Left	ALL	1PC	0USE4N	KCHUC48R-32	738332
40	Up Hinge /Right	ALL	1PC	0USE4X	KCHUC48R-32	738332
41	Bushing	ALL	2PCS	096268	KCHUC48R-32	738332
42	Gasket	ALL	2PCS	0USH00	KCHUC48R-32	738332
43	Door /Left	ALL	1PC	0USM97	KCHUC48R-32	738332
44	Door Spring Hinge	ALL	2PCS	0USE4V	KCHUC48R-32	738332
45	Door /Right	ALL	1PC	0USM98	KCHUC48R-32	738332
46	Door Switch	ALL	2PCS	096253	KCHUC48R-32	738332
47	Door Switch Case	ALL	2PCS	0USF88	KCHUC48R-32	738332
48	CABLE COVER	ALL	1PC	0USK07	KCHUC48R-32	738332
49	Brake Wheel	ALL	2PCS	0USE20	KCHUC48R-32	738332
49a	Castor Mounting Bolt (4-PACK)	ALL	4PC	0USC2U	KCHUC48R-32	738332
49b	Castor Mounting Locking Washer (4-PACK)	ALL	4PC	0USC4A	KCHUC48R-32	738332

49c	Castor Mounting Flat Washer (4-PACK)	ALL	4PC	0USC2X	KCHUC48R-32	738332
50	Front Support Of Unit Board	ALL	1PC	0USJ59	KCHUC48R-32	738332
51	Back Support Of Unit Board	ALL	1PC	0USJ60	KCHUC48R-32	738332
52	Door Hinge/Left	ALL	1PC	0USE40	KCHUC48R-32	738332
54	Drier Support	ALL	1 PC	0USI78	KCHUC48R-32	738332
55	Drain Pipe(A Int)	ALL	1PC	096263	KCHUC48R-32	738332
56	Drain Pipe(B Ext)	ALL	1PC	0USG04	KCHUC48R-32	738332
57	Middle Girder	ALL	1PC	0USH56	KCHUC48R-32	738332
58	Middle Girder Fixer	ALL	2PCS	0USH59	KCHUC48R-32	738332
59	Transformer	ALL	1PC	096252	KCHUC48R-32	738332
61	Drain Pipe	ALL	1PC	0USM54	KCHUC48R-32	738332
61a	DRAIN FIXER	ALL	1PC	0USN75	KCHUC48R-32	738332



EXPLODE OF HC-TUC48S-32/M38