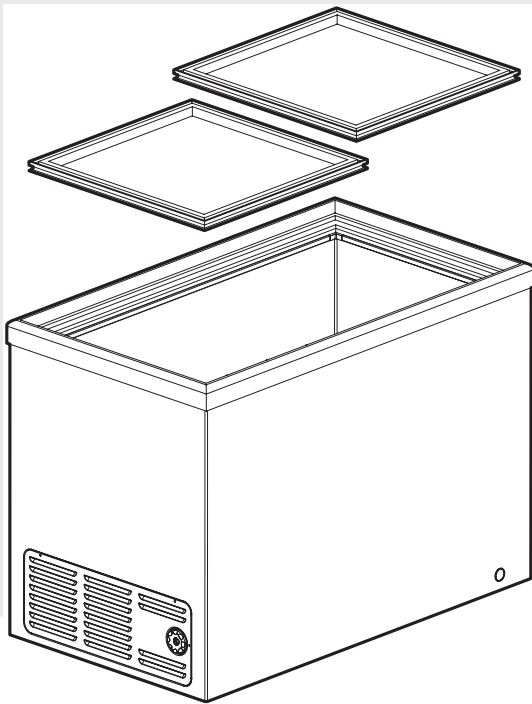




## Factory Parts Catalog



Product No.	KCG130GW2
Series	Commercial
Color	white
Volts	115V
Owner's Guide	297147500
Market	North America

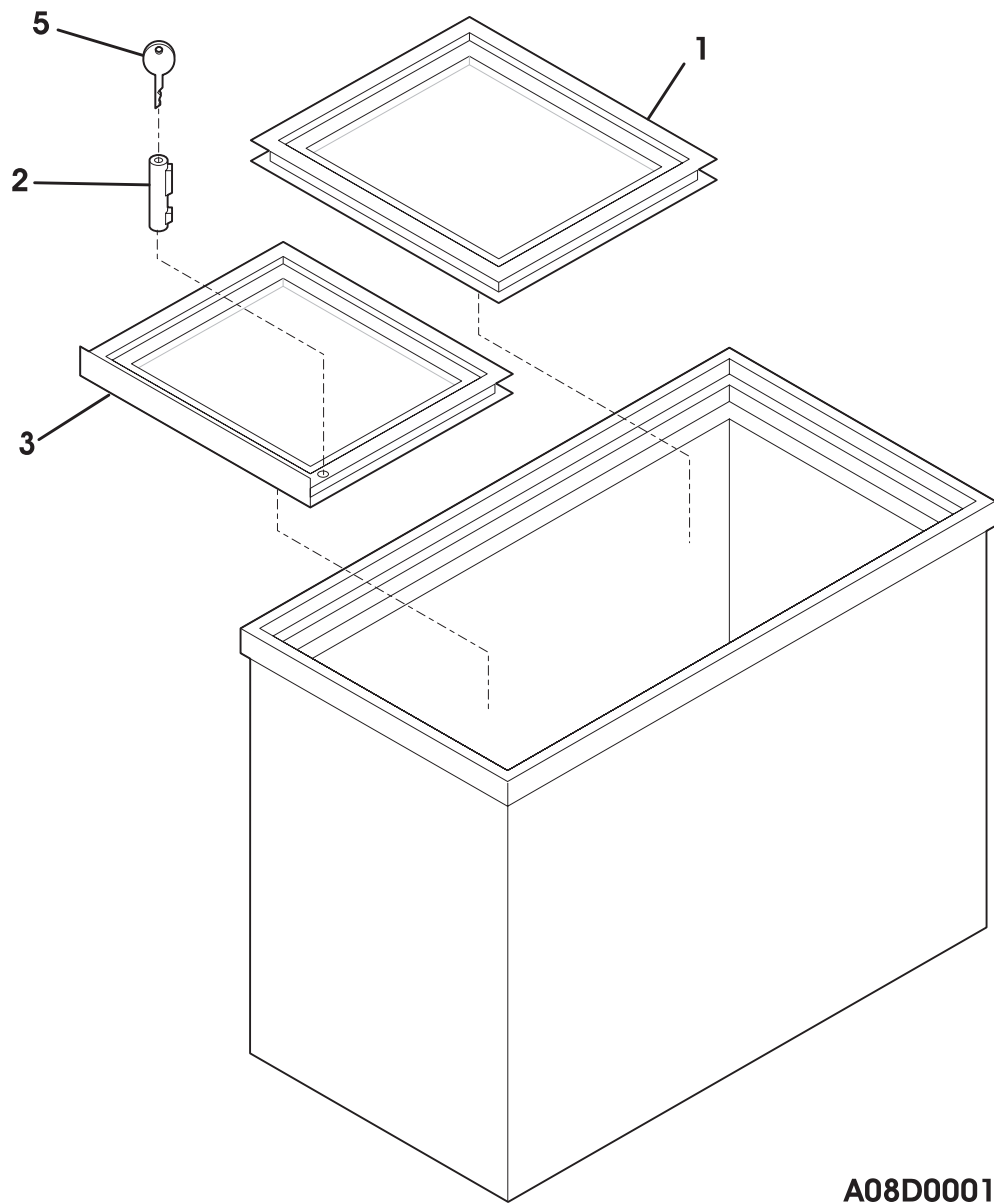
### **FREEZER CHEST**

Model No.  
**KCG130GW**

Publication No.  
**5995561965**  
10/03/22  
(EN/SERVICE/MLR)  
365

**DOOR**

---



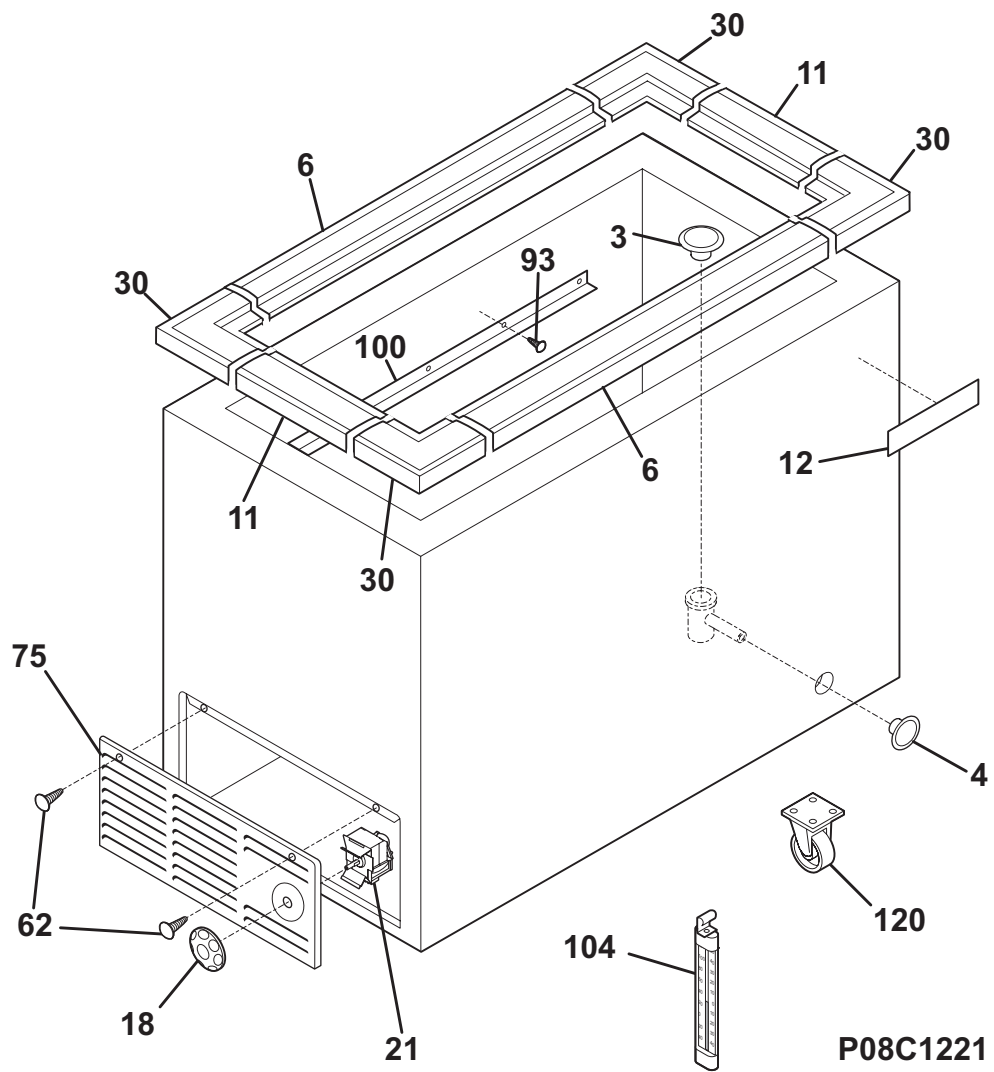
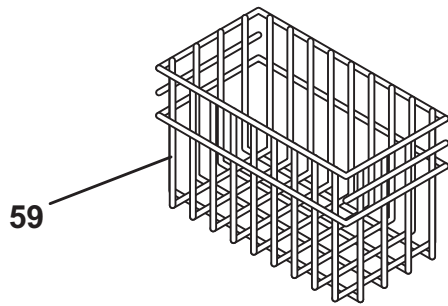
**A08D0001**

**DOOR**

---

POS. NO	PART NO.	DESCRIPTION
1	216620704	Lid, chest freezer, glass, lower
2	<a href="#">216621200</a>	Lock Assy, frzr lid
3	<a href="#">216620604</a>	Lid, chest freezer, glass, upper
5	216621300	Key, frzr lid lock

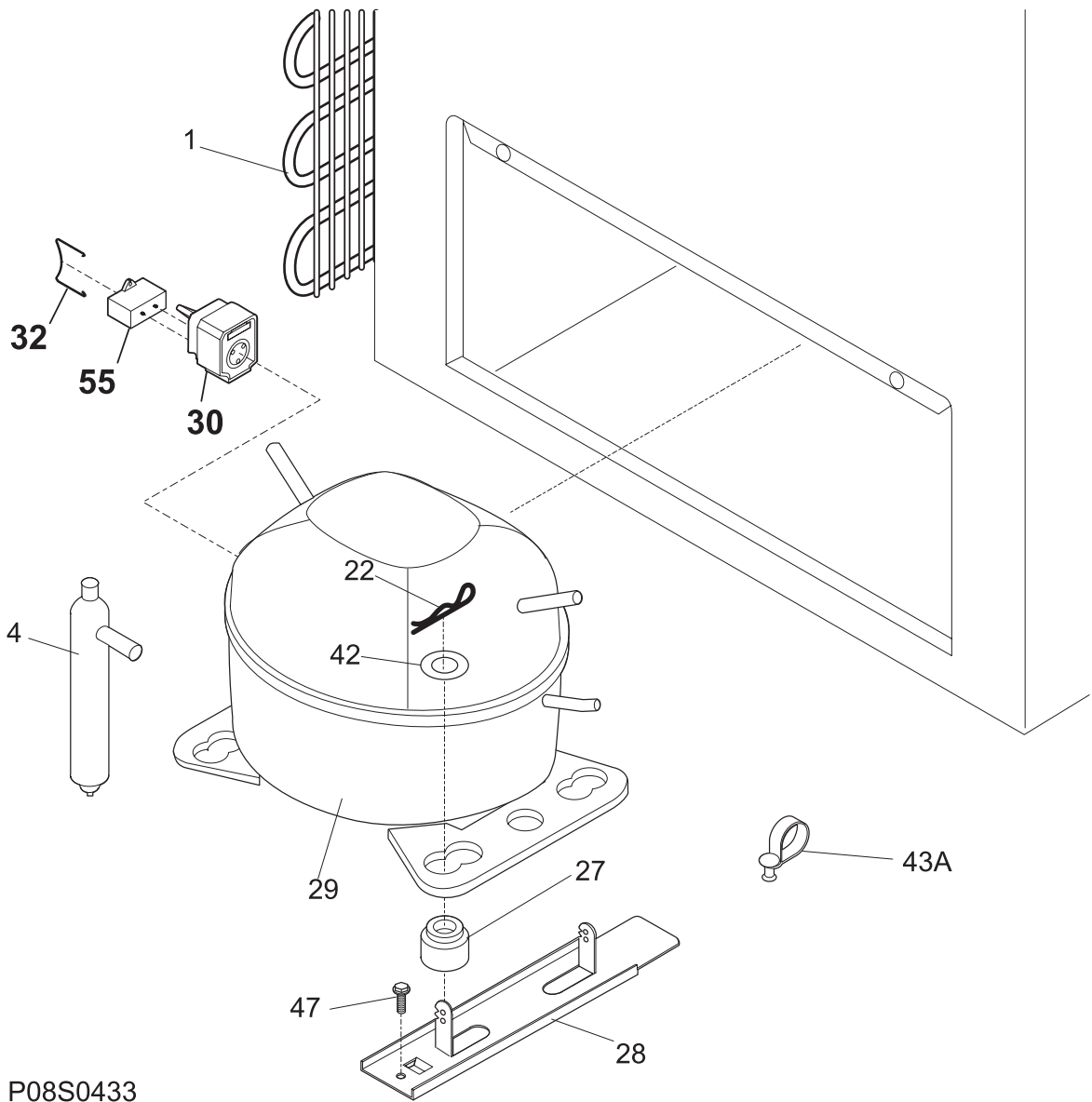
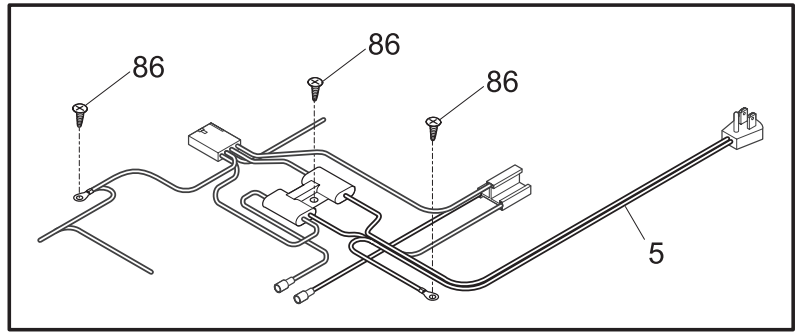
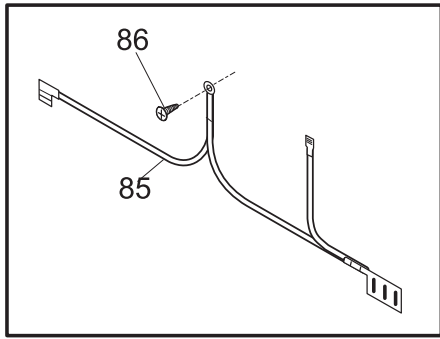
**CABINET**



**CABINET**

POS. NO	PART NO.	DESCRIPTION
3	216502600	Plug, drain, interior
4	297013600	Plug, drain, exterior
6	216955503	Breaker, Plain, white, hinge side
11	216955500	Breaker, chest end, (2)
12	297146600	Nameplate, Commercial
18	216707201	Knob, temp control
21#	216714601	Control temperature
30	216110700	Breaker, corners
59	297117901	Basket, chest freezer
62	5304460602	Screw, cr truss head, 8-18AB x 0.750
75	216034301	Panel, access, white
100	216995207	Track-basket
104	297070100	Thermometer
120	216621000	Caster
150	216997400	Support, track-basket
*	216649700	CASTER PACK, 4 casters, wrench, 16 screws
*	5303305324	Paint, touch-up, white

**SYSTEM**



P08S0433

**SYSTEM**

---

POS. NO	PART NO.	DESCRIPTION
1	5303925238	Condenser
4	216987501	Drier-filter
5 #	<a href="#">216987200</a>	Harness-main
22	<a href="#">216056401</a>	Clip-compressor mtg
27	5308002681	Grommet, compressor
28	5304464023	Support, compressor
29 #	<a href="#">297223402</a>	Compressor, w/o electricals
30	<a href="#">216954228</a>	Controller
32	<a href="#">216954300</a>	Clip, controller
42	216232701	Washer, flat
43A	5303212614	Clip, harness mount
47	<a href="#">216629601</a>	Screw, hex washer head, 10-16 x 0.500, tapping
55	218909913	Capacitor, run, 220 VAC, 15 microfarad
85	216533500	Wire, ground
86	216036601	Screw, RWHD, 8-32A x 0.500, GX-CA
*	297102800	Spacer-tube