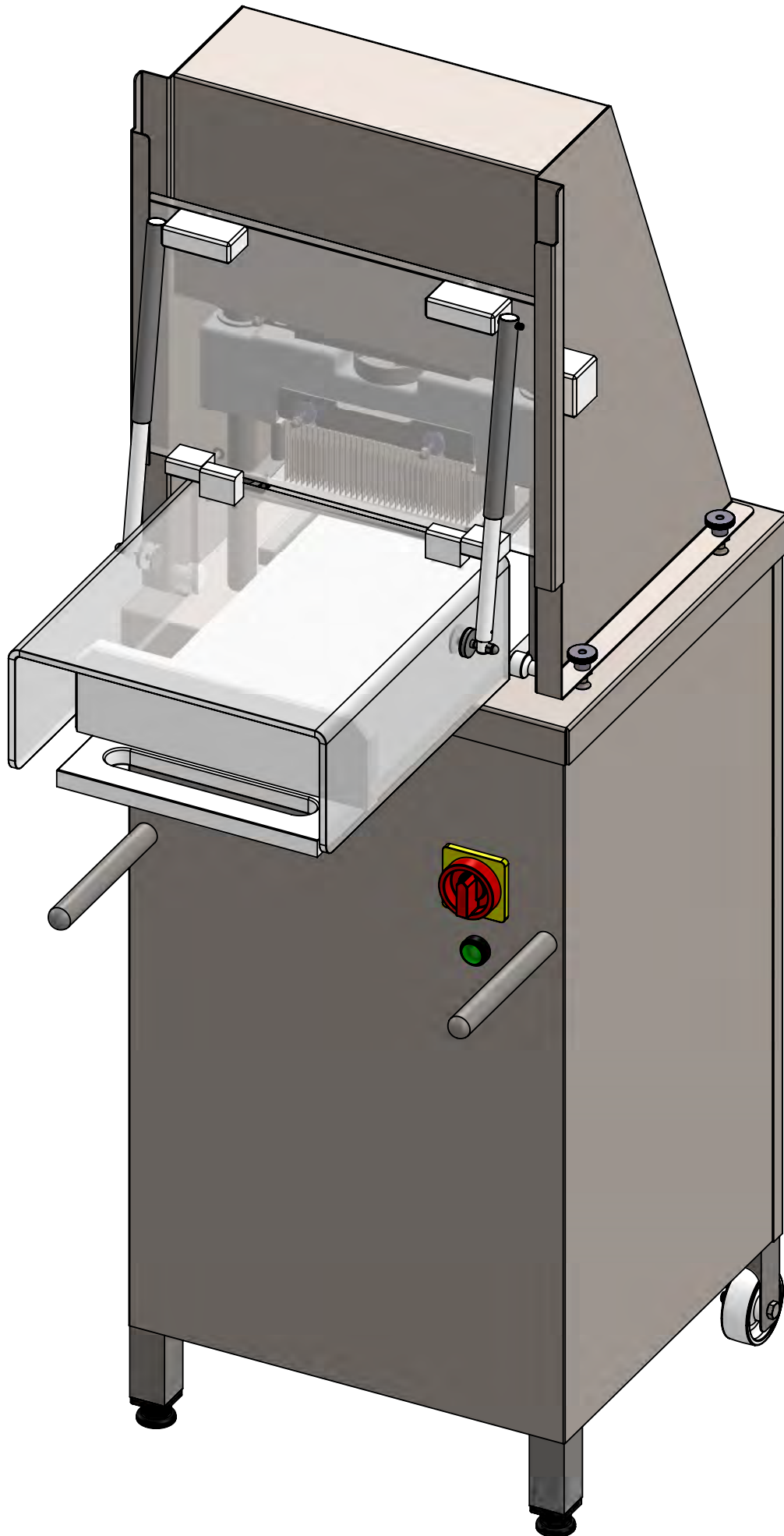
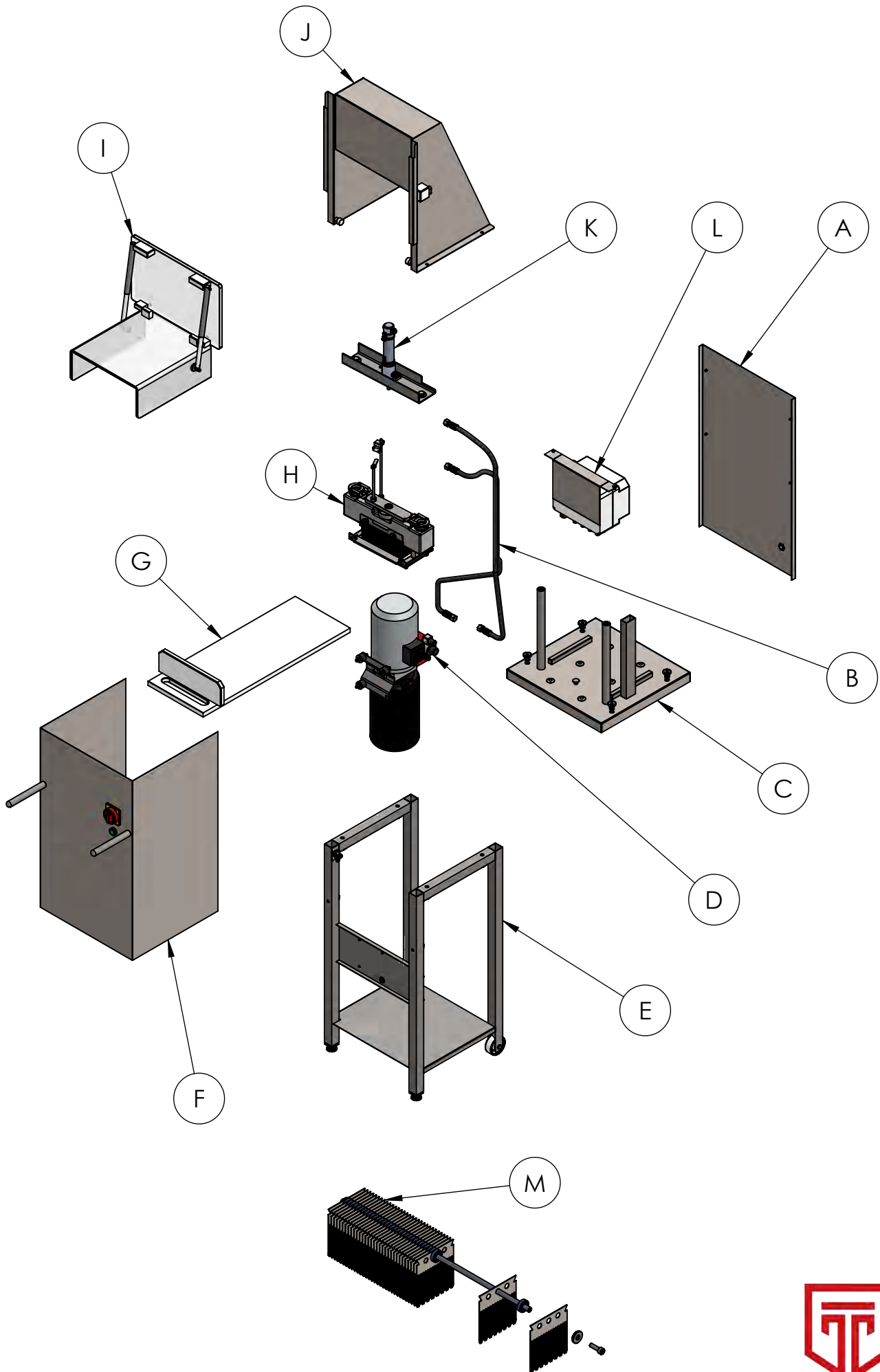


# PARTS LIST TSHY



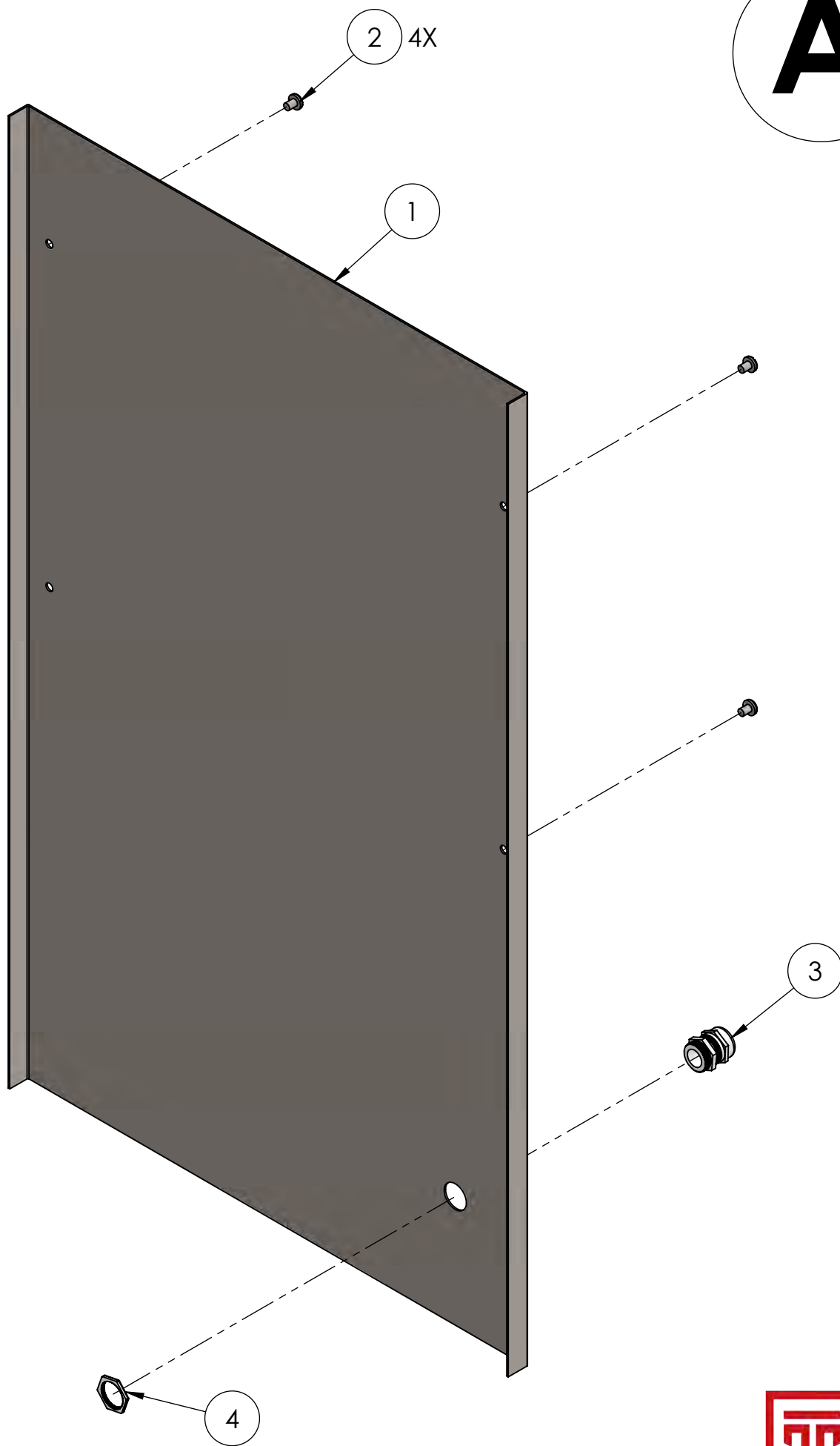
# TSHY COMPOSITION OF SETS



TENDER STAR

A	BACK PLATE
B	HYDRAULIC HOSE
C	TABLET
D	HYDRAULIC POWER UNIT
E	STAND
F	FRAME PLATE
G	BOARD
H	HEAD
I	PLEXI COVER
J	STAINLES STEEL COVER
K	CYLINDER
L	ELECTRIC BOX
M	BLADE UNIT

A

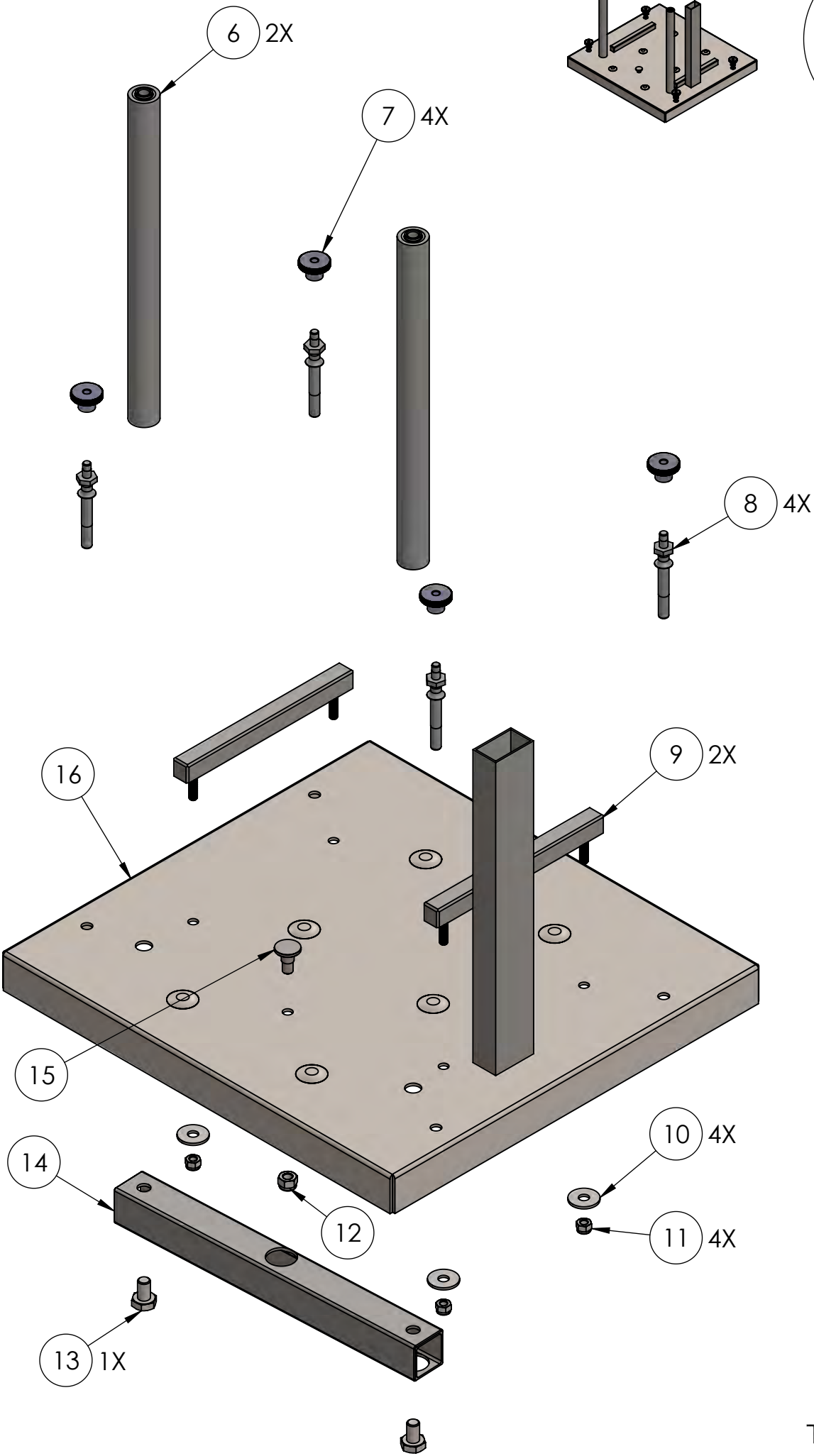
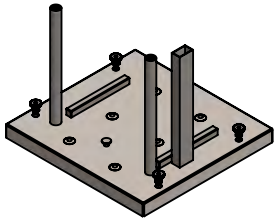
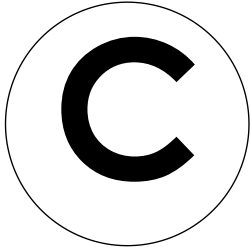


TENDER STAR

N° ARTICLE	DESCRIPTION	CODE	QTY
1	BACK PLATE	TSHY.1	1
2	SCREW	TSHY.2	4
3	CABLE PRESS	TSHY.3	1
4	NUT	TSHY.4	1



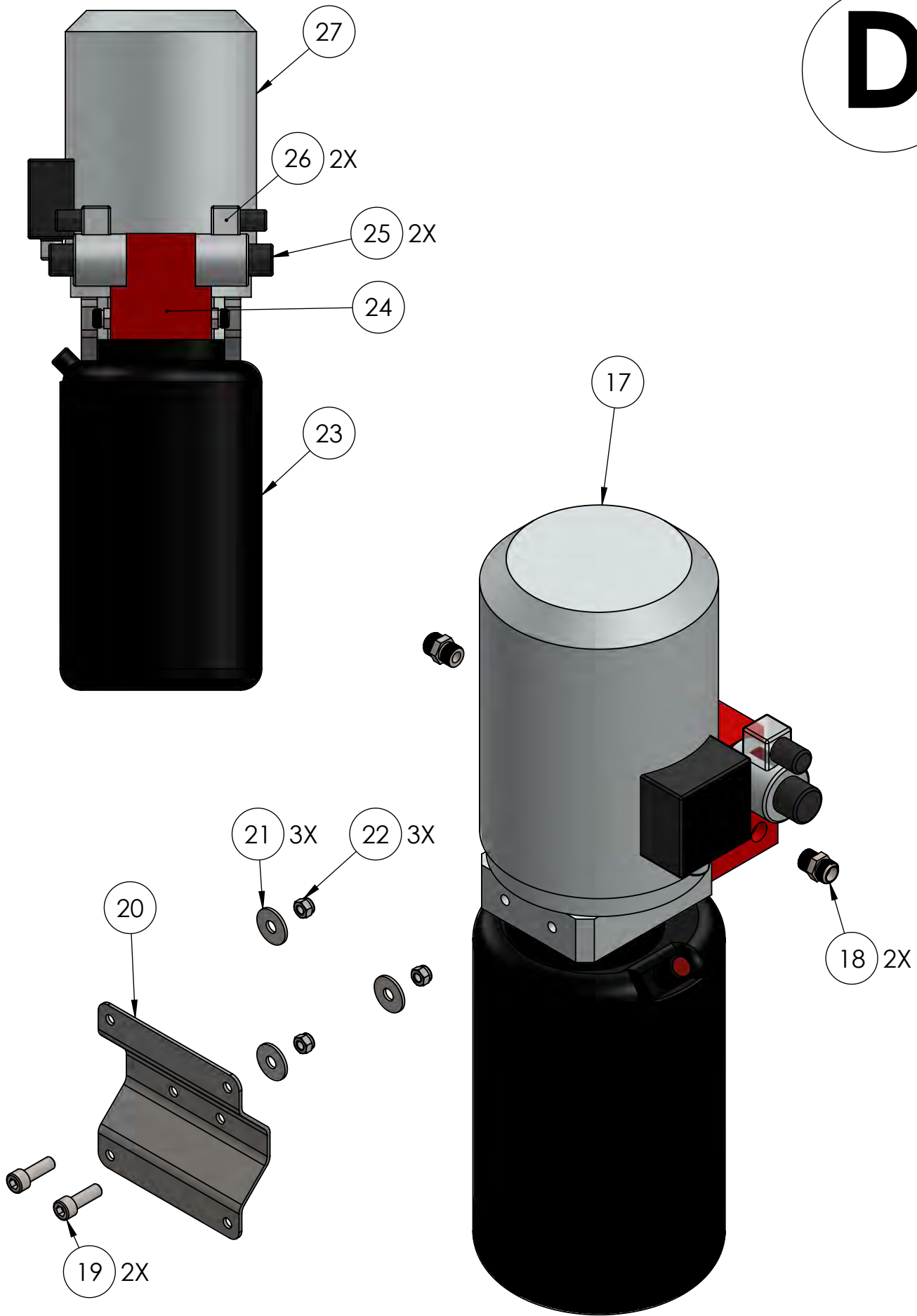
N° ARTICLE	DESCRIPTION	CODE	QTE
5	HYDRAULIC HOSE	TSHY.5	2



TENDER STAR

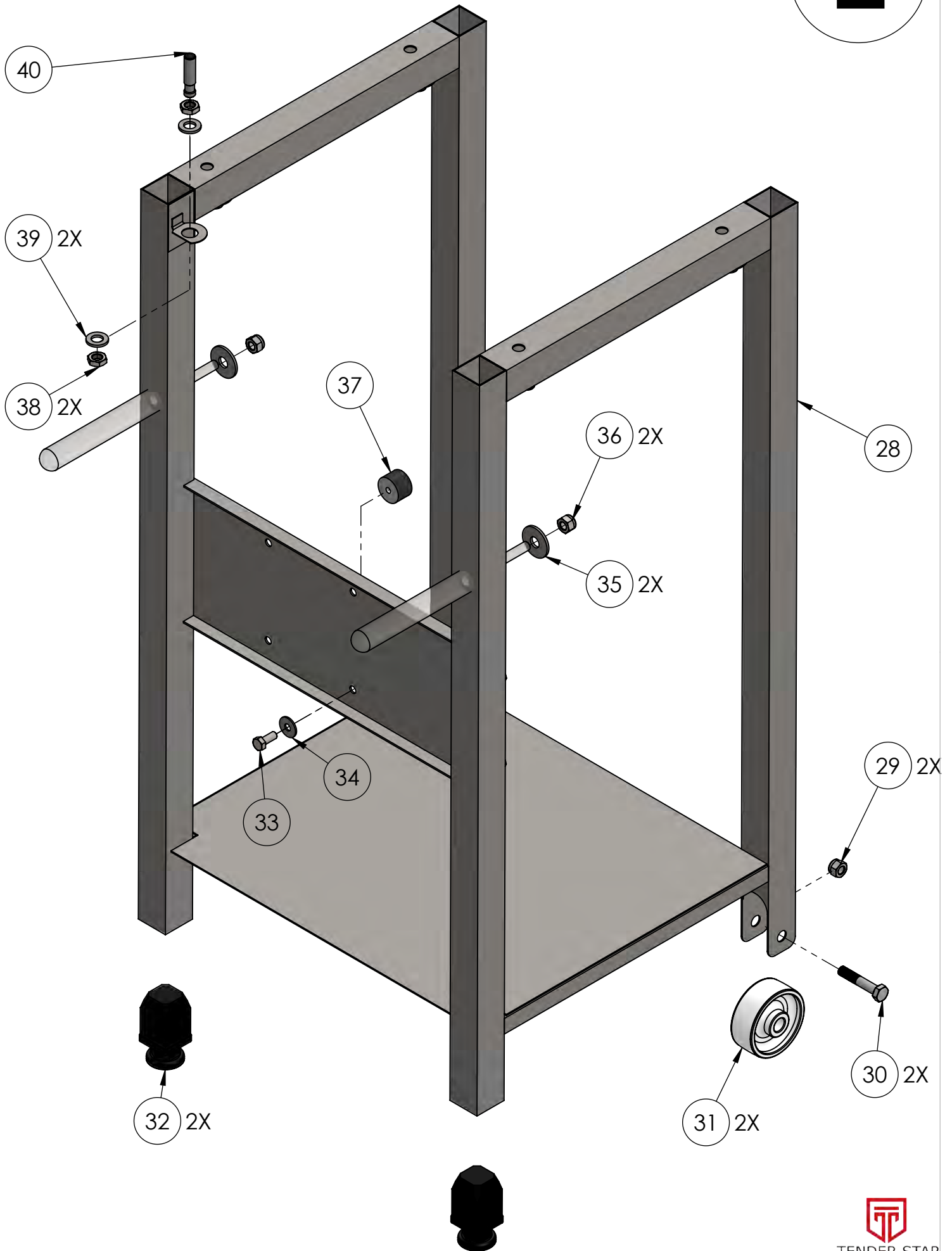
N° ARTICLE	DESCRIPTION	CODE	QTE
6	COLUMN	TSHY.6	2
7	HOOD NUT	TSHY.7	4
8	SPACER	TSHY.8	4
9	BOARD GUIDE	TSHY.9	2
10	WASHER	TSHY.10	4
11	NUT	TSHY.11	4
12	NUT	TSHY.12	1
13	BOLT	TSHY.13	2
14	REINFORCEMENT TUBE	TSHY.14	1
15	BOARD GUIDE	TSHY.15	1
16	TABLET	TSHY.16	1

# D



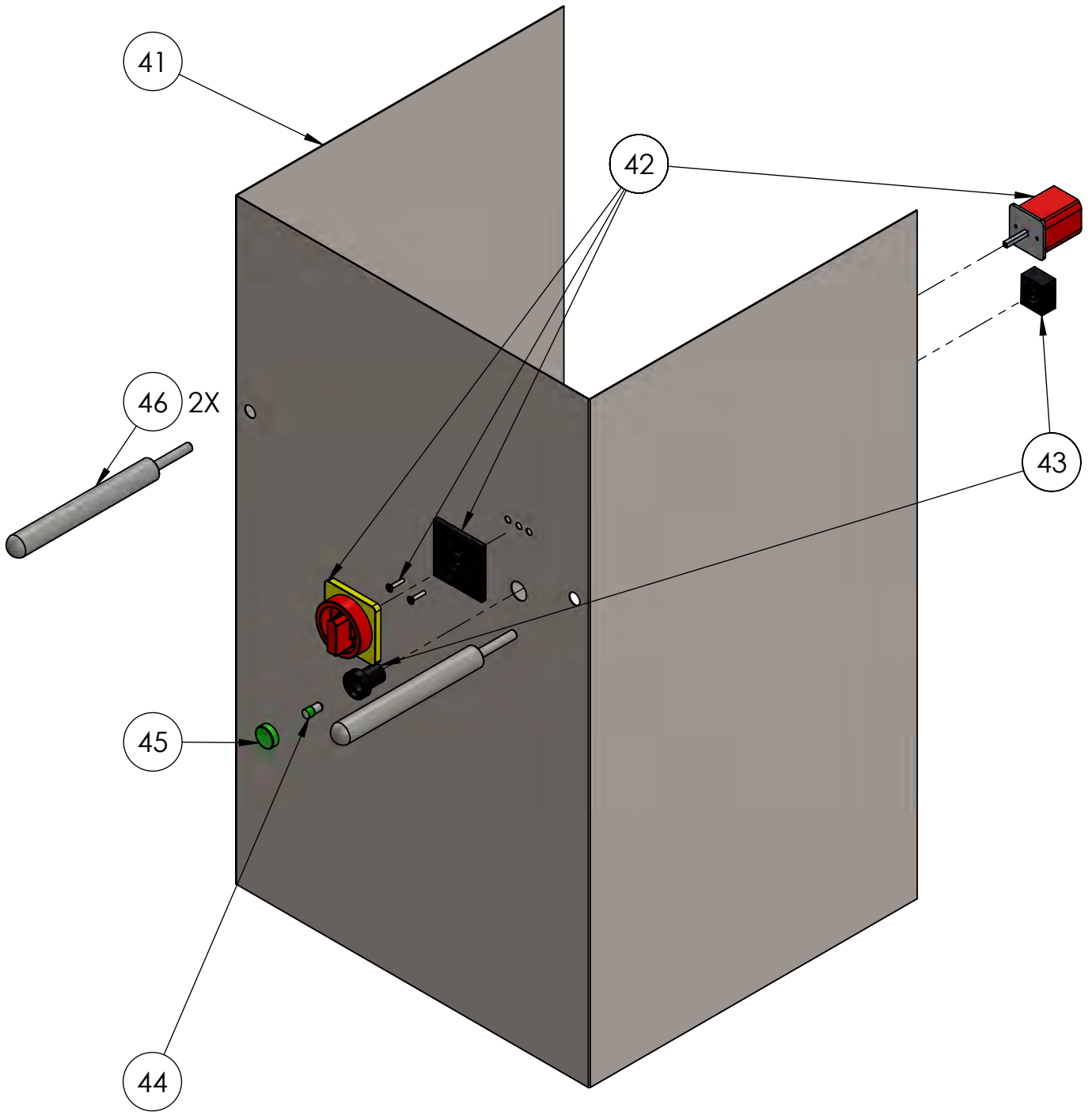
N° ARTICLE	DESCRIPTION	CODE	QTE
17	HYDRAULIC POWER UNIT	TSHY.17	1
18	CONNECTION	TSHY.18	2
19	SCREW	TSHY.19	2
20	FIXING PLATE	TSHY.20	1
21	WASHER	TSHY.21	3
22	NUT	TSHY.22	3
23	TANK	TSHY.23	1
24	DIRECTIONAL VALVE	TSHY.24	1
25	COIL	TSHY.25	2
26	PLUG	TSHY.26	2
27	MOTOR	TSHY.27	1

# E



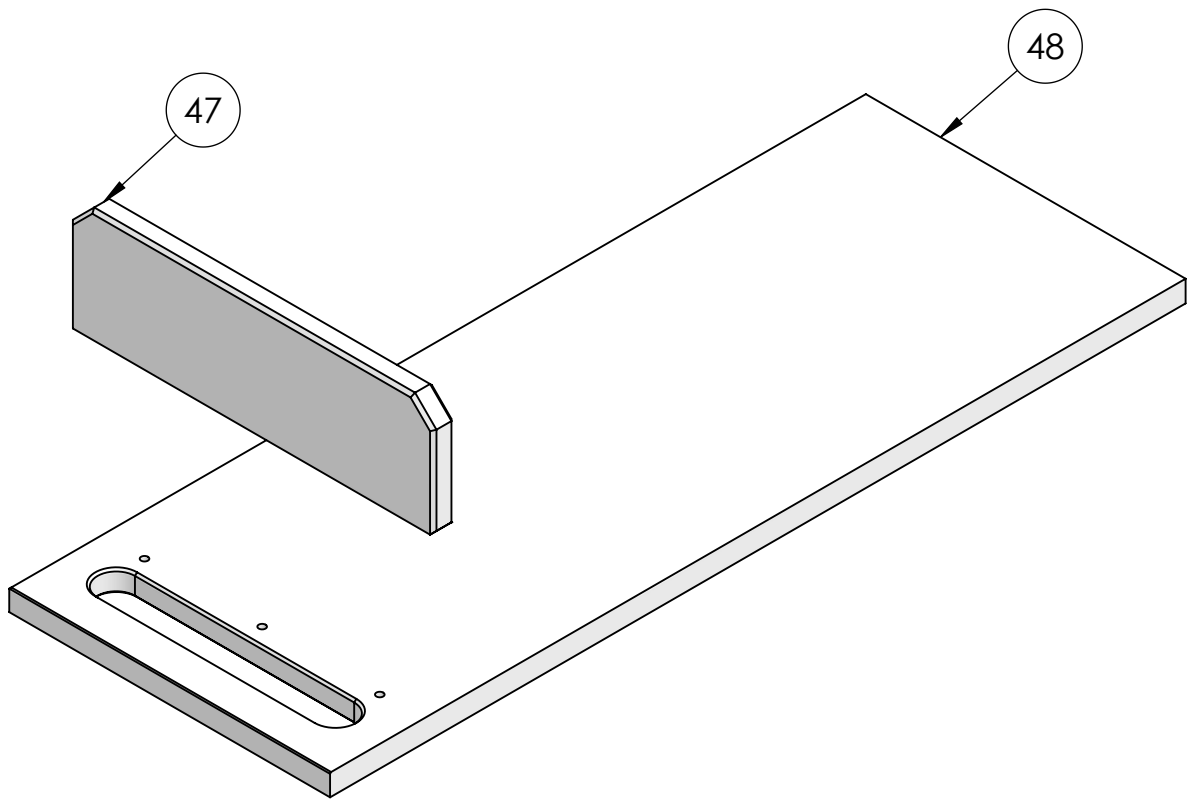
N° ARTICLE	DESCRIPTION	CODE	QTE
28	FRAME	TSHY.28	1
29	NUT	TSHY.29	2
30	BOLT	TSHY.30	2
31	WHEEL	TSHY.31	2
32	FEET	TSHY.32	2
33	BOLT	TSHY.33	1
34	NUT	TSHY.34	1
35	WASHER	TSHY.35	2
36	NUT	TSHY.36	2
37	SILENT BLOCK	TSHY.37	1
38	NUT	TSHY.38	2
39	WASHER	TSHY.39	2
40	PROXIMITY SENSOR	TSHY.40	1

F



TENDER STAR

N° ARTICLE	DESCRIPTION	CODE	QTE
41	FRAME PLATE	TSHY.41	1
42	MAIN SWITCH	TSHY.42	1
43	LAMP HOLDER	TSHY.43	1
44	LED LAMP	TSHY.44	1
45	LAMP COVER	TSHY.45	1
46	HANDLE	TSHY.46	2

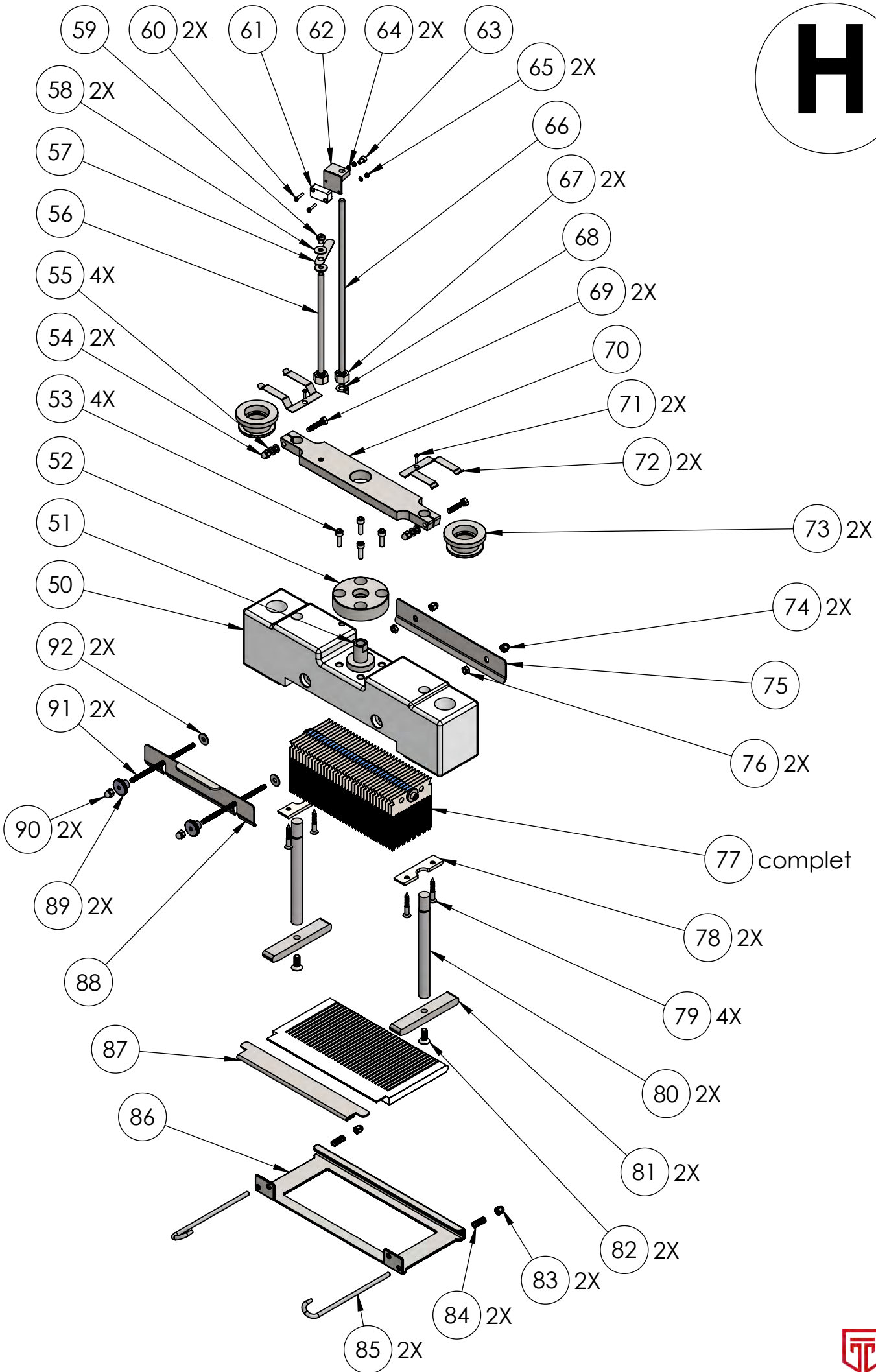
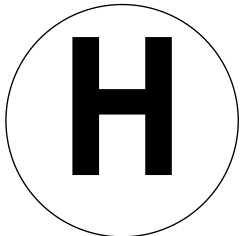


49 3X

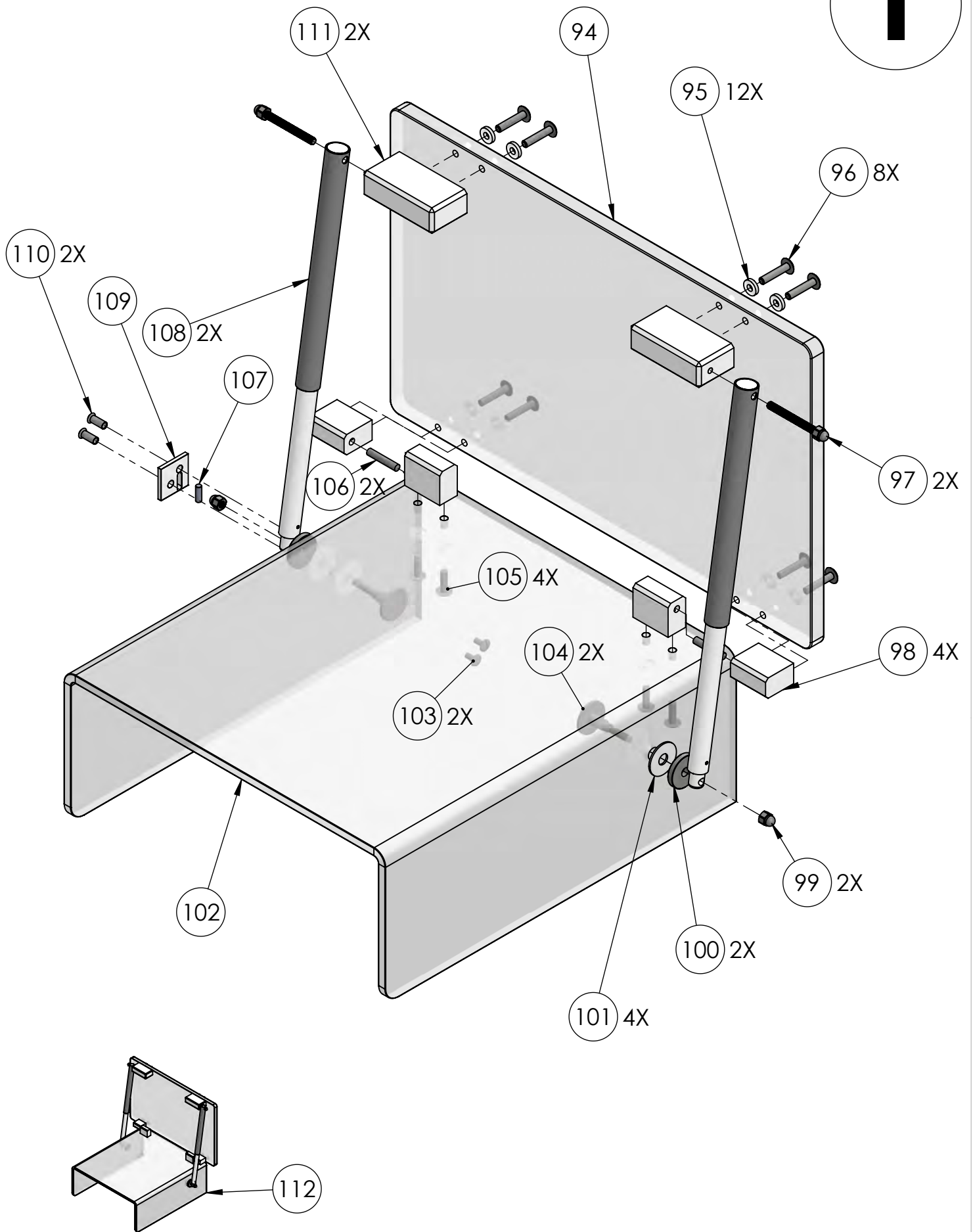
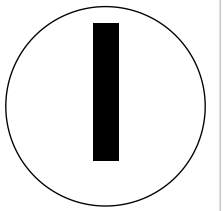


TENDER STAR

N° ARTICLE	DESCRIPTION	CODE	QTE
47	GUARD	TSHY.47	1
48	BOARD	TSHY.48	1
49	SCREW	TSHY.49	3

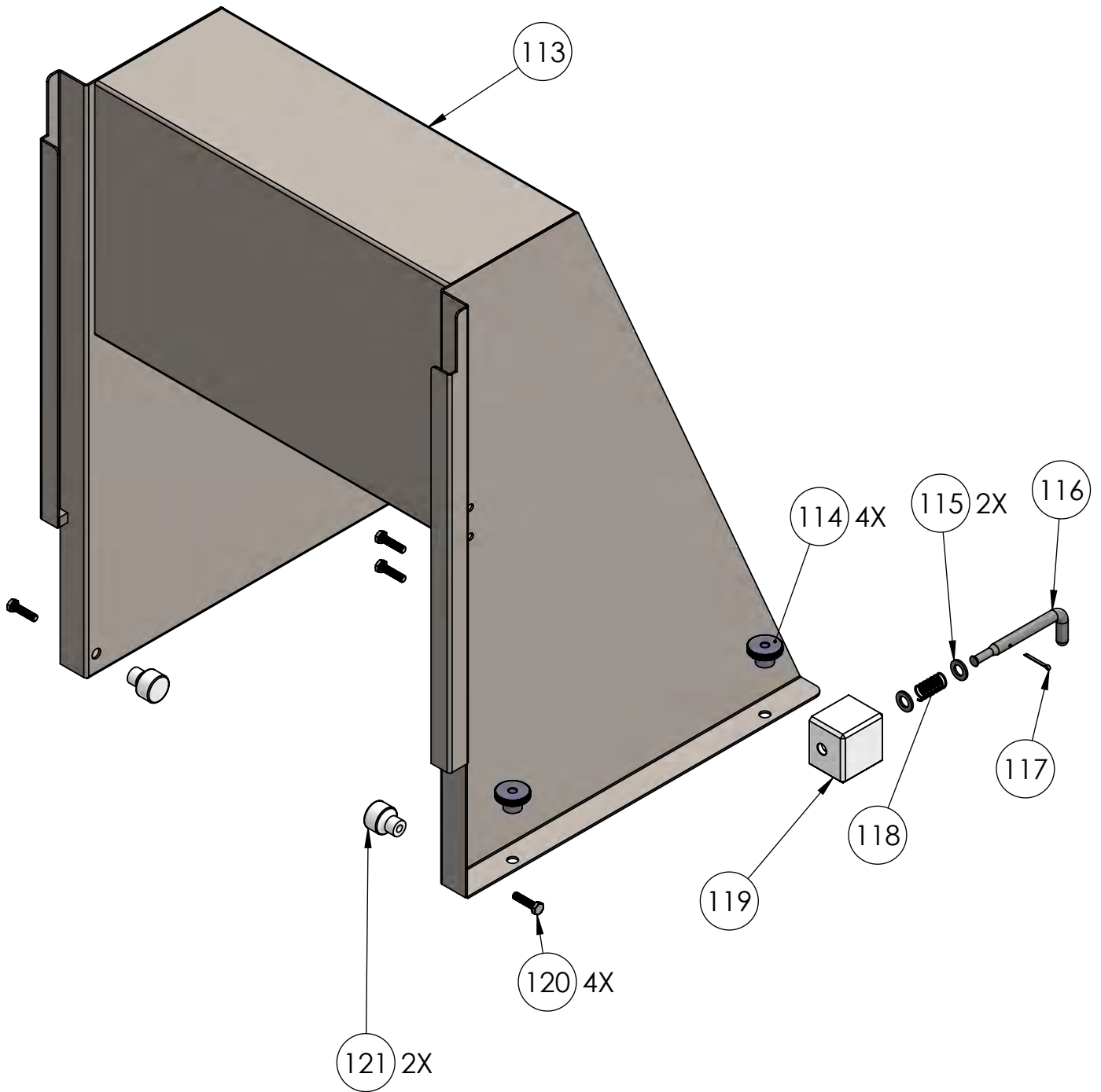


N° ARTICLE	DESCRIPTION	CODE	QTE
50	HEAD	TSHY.50	1
51	JUNCTION	TSHY.51	1
52	FLASK	TSHY.52	1
53	SCREW	TSHY.53	4
54	BLIND NUT	TSHY.54	2
55	WASHER	TSHY.55	4
56	SMALL AXIS	TSHY.56	1
57	LAMELLA	TSHY.57	1
58	WASHER	TSHY.58	2
59	SCREW	TSHY.59	1
60	SCREW	TSHY.60	2
61	INDUCTIVE SENSOR	TSHY.61	1
62	SENSOR SUPPORT	TSHY.62	1
63	SCREW	TSHY.63	1
64	WASHER	TSHY.64	2
65	ECROU	TSHY.65	2
66	LARGE AXIS	TSHY.66	1
67	NUT	TSHY.67	2
68	LOCK WASHER	TSHY.68	1
69	SCREW	TSHY.69	2
70	COUPLING	TSHY.70	1
71	SCREW	TSHY.71	2
72	LOCKING RING SPRING	TSHY.72	2
73	LOCKING RING	TSHY.73	2
74	NUT	TSHY.74	2
75	REAR CLOSURE PLATE	TSHY.75	1
76	NUT	TSHY.76	2
77	BLADE UNIT COMPLETE	TSHY.77	1
78	HOLDING PLATE	TSHY.78	2
79	SCREW	TSHY.79	4
80	SMALL COLUMN	TSHY.80	2
81	SHOE	TSHY.81	2
82	SCREW	TSHY.82	2
83	NUT	TSHY.83	2
84	SPRING	TSHY.84	2
85	HOOK	TSHY.85	2
86	MEAT PRESS	TSHY.86	1
87	NYLON COMB	TSHY.87	1
88	FRONT CLOSURE PLATE	TSHY.88	1
89	CLOSING NUT	TSHY.89	2
90	NUT	TSHY.90	2
91	THREADED AXIS	TSHY.91	2
92	WASHER	TSHY.92	2

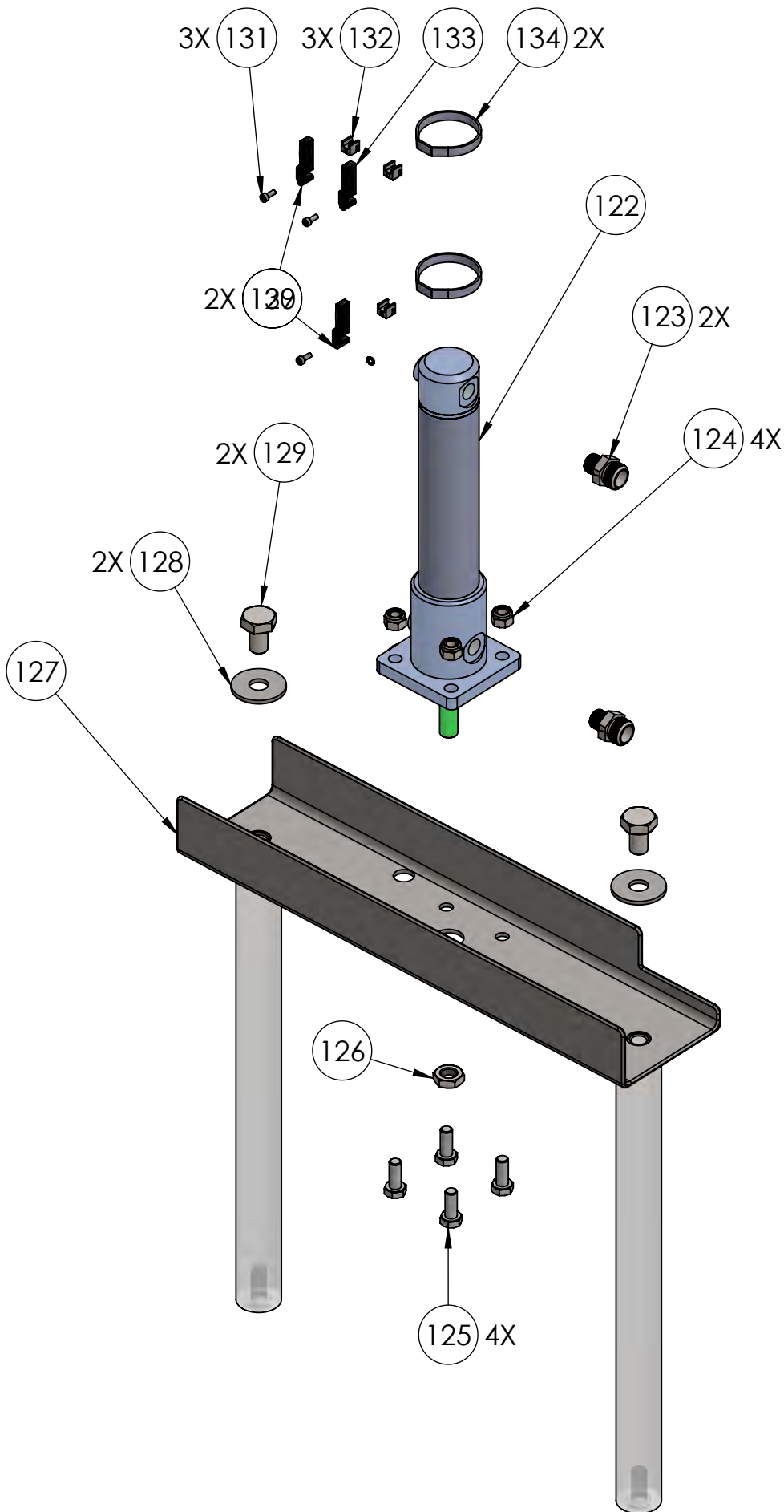
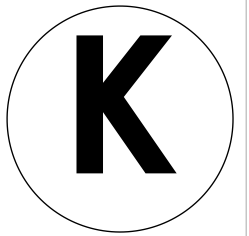


COMPLETE COVER

N° ARTICLE	DESCRIPTION	CODE	QTE
94	VERTICAL DOOR	TSHY.94	1
95	PVC WASHER	TSHY.95	12
96	SCREW	TSHY.96	8
97	TOP AXIS	TSHY.97	2
98	HINGE BLOCK	TSHY.98	4
99	BLIND NUT	TSHY.99	2
100	DISC NUT	TSHY.100	2
101	SILICONE WASHER	TSHY.101	4
102	U COVER	TSHY.102	1
103	PVC SCREW	TSHY.103	2
104	BOTOM AXIS	TSHY.104	2
105	SCREW	TSHY.105	4
106	HINGE AXIS	TSHY.106	2
107	MAGNET	TSHY.107	1
108	DOOR PISTON	TSHY.108	2
109	MAGNET BOX	TSHY.109	1
110	PVC NUT	TSHY.110	2
111	STOP	TSHY.111	2
112	COMPLETE COVER	TSHY.112	1

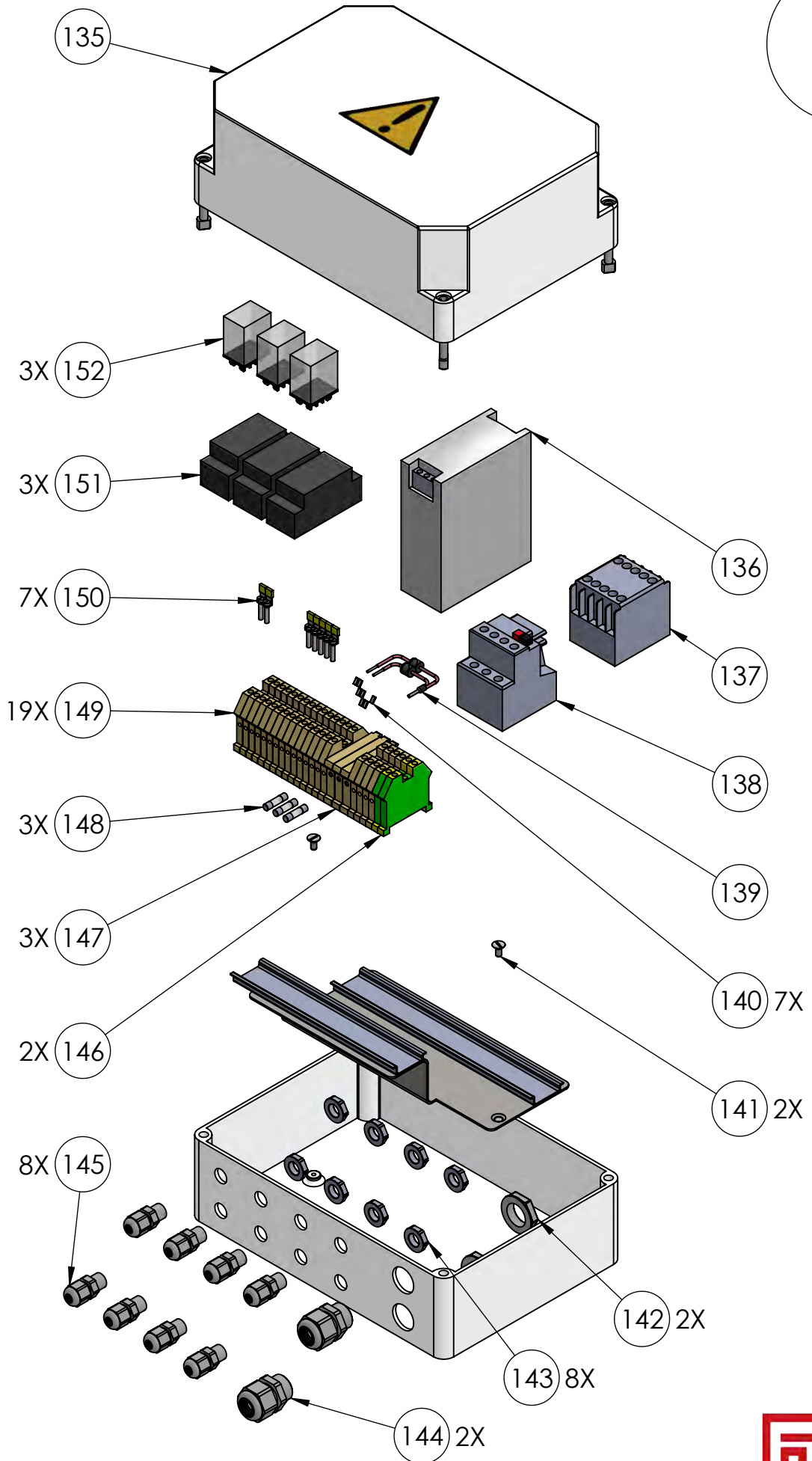
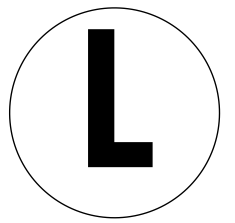


N° ARTICLE	DESCRIPTION	CODE	QTE
113	STAINLES STEEL COVER	TSHY.113	1
114	NUT	TSHY.114	4
115	WASHER	TSHY.115	2
116	LOCK	TSHY.116	1
117	COTTER PIN	TSHY.117	1
118	SPRING	TSHY.118	1
119	COVER LOCK	TSHY.119	1
120	SCREW	TSHY.120	4
121	STOP	TSHY.1201	2



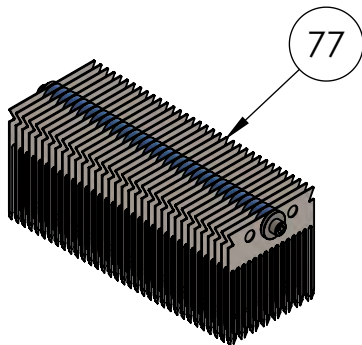
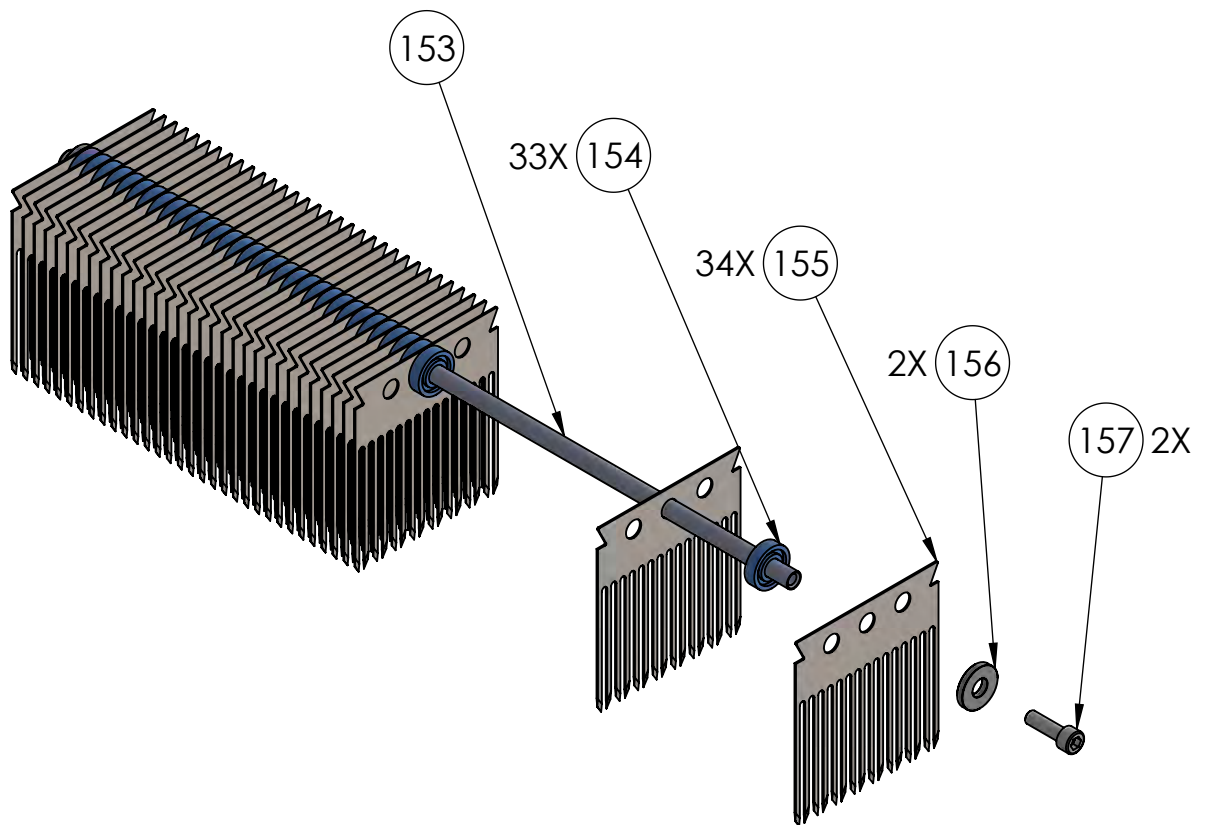
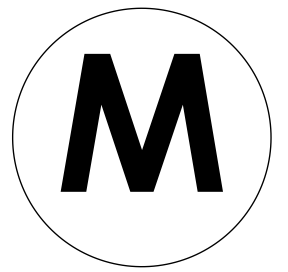
TENDER STAR

N° ARTICLE	DESCRIPTION	CODE	QTE
122	CYLINDER	TSHY.122	1
123	CONNECTION	TSHY.123	2
124	NUT	TSHY.124	4
125	BOLT	TSHY.125	4
126	NUT	TSHY.126	1
127	COUPLING	TSHY.127	1
128	WASHER	TSHY.128	2
129	BOLT	TSHY.129	2
130	NC DETECTOR	TSHY.130	2
131	SCREW	TSHY.131	3
132	CLAMP	TSHY.132	3
133	DETECTOR NO	TSHY.133	1
134	CLAMP	TSHY.134	2



TENDER STAR

N° ARTICLE	DESCRIPTION	CODE	QTE
135	BOX	TSHY.135	1
136	POWER SUPPLY	TSHY.136	1
137	CONTACTOR	TSHY.137	1
138	THERMAL RELAY	TSHY.138	1
139	DIODE	TSHY.139	1
140	LETTER	TSHY.140	7
141	SCREW	TSHY.141	2
142	NUT	TSHY.142	2
143	NUT	TSHY.143	8
144	CABLE CLAMP	TSHY.144	2
145	CABLE CLAMP	TSHY.145	8
146	EARTH TERMINAL	TSHY.146	2
147	FUSE TERMINAL	TSHY.147	3
148	FUSE	TSHY.148	3
149	TERMINAL	TSHY.149	19
150	BRIDGE BAR	TSHY.150	7
151	SOQUET	TSHY.151	3
152	RELAY	TSHY.152	3



TENDER STAR

N° ARTICLE	DESCRIPTION	CODE	QTE
153	AXIS	TSHY.153	1
154	WASHER SPACER	TSHY.154	33
155	BLADE	TSHY.155	34
156	WASHER	TSHY.156	2
157	SCREW	TSHY.157	2
77	COMPLETE BLADE UNIT	TSHY.77	1