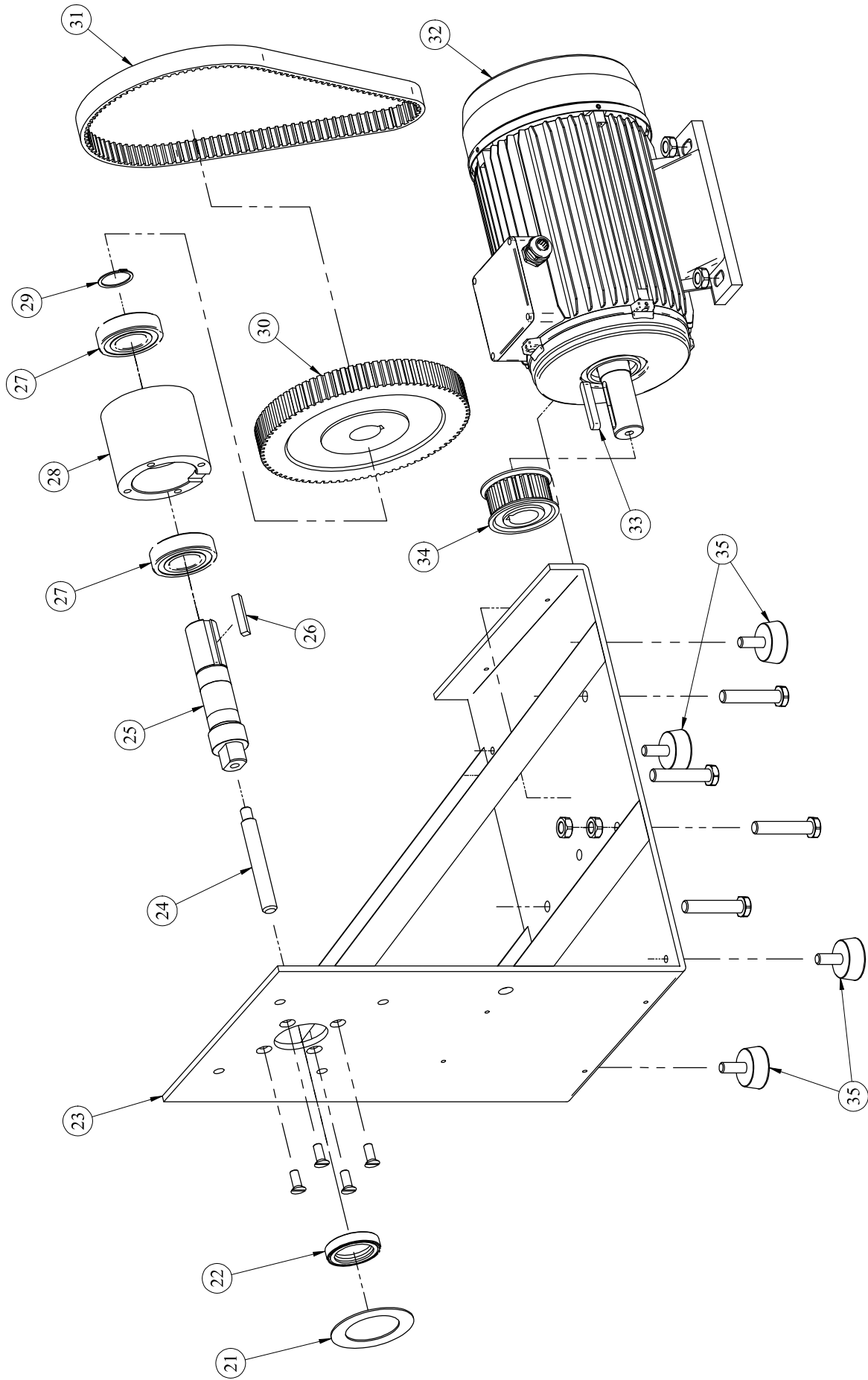


F-19S



F-19S
3/2013

