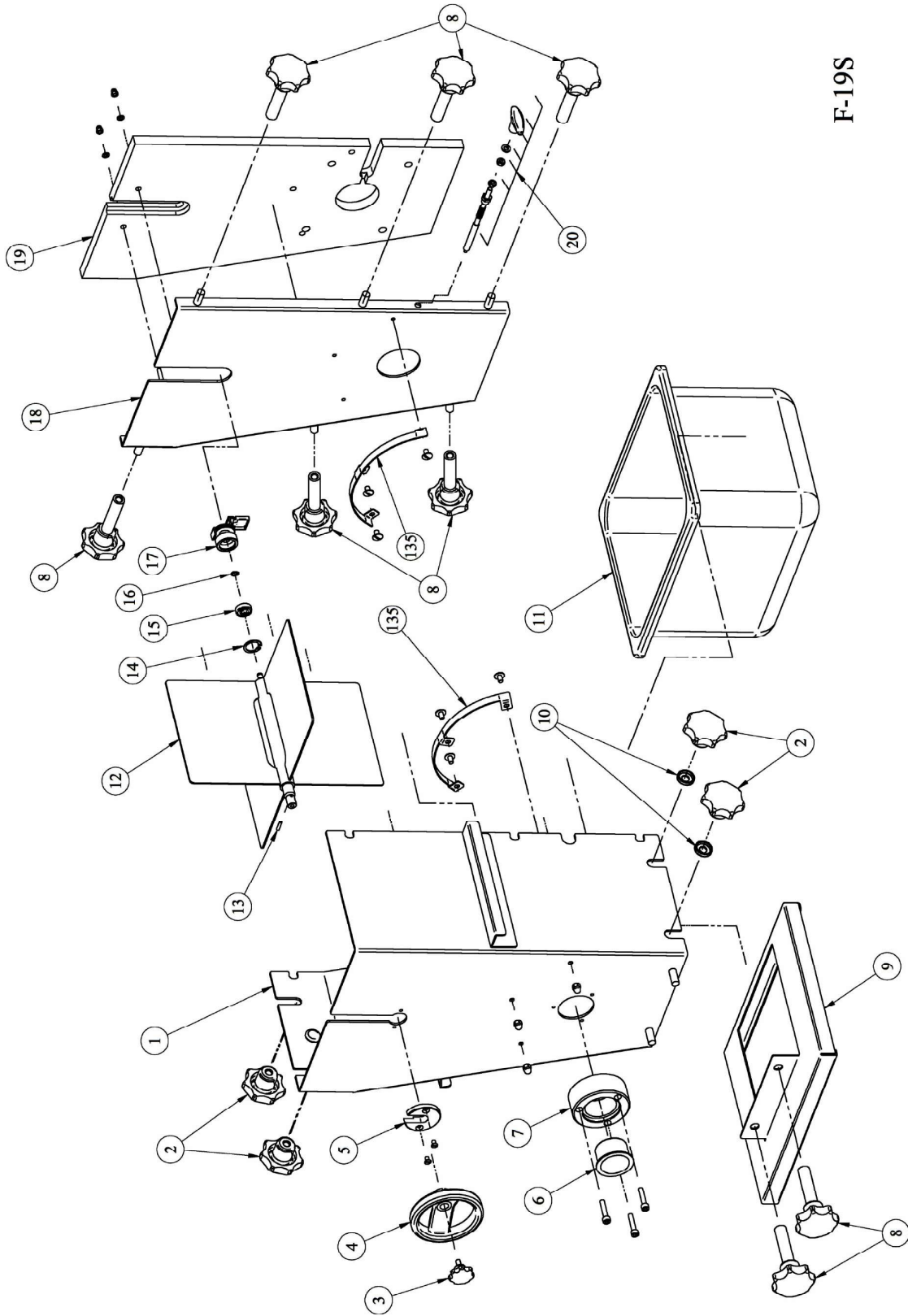


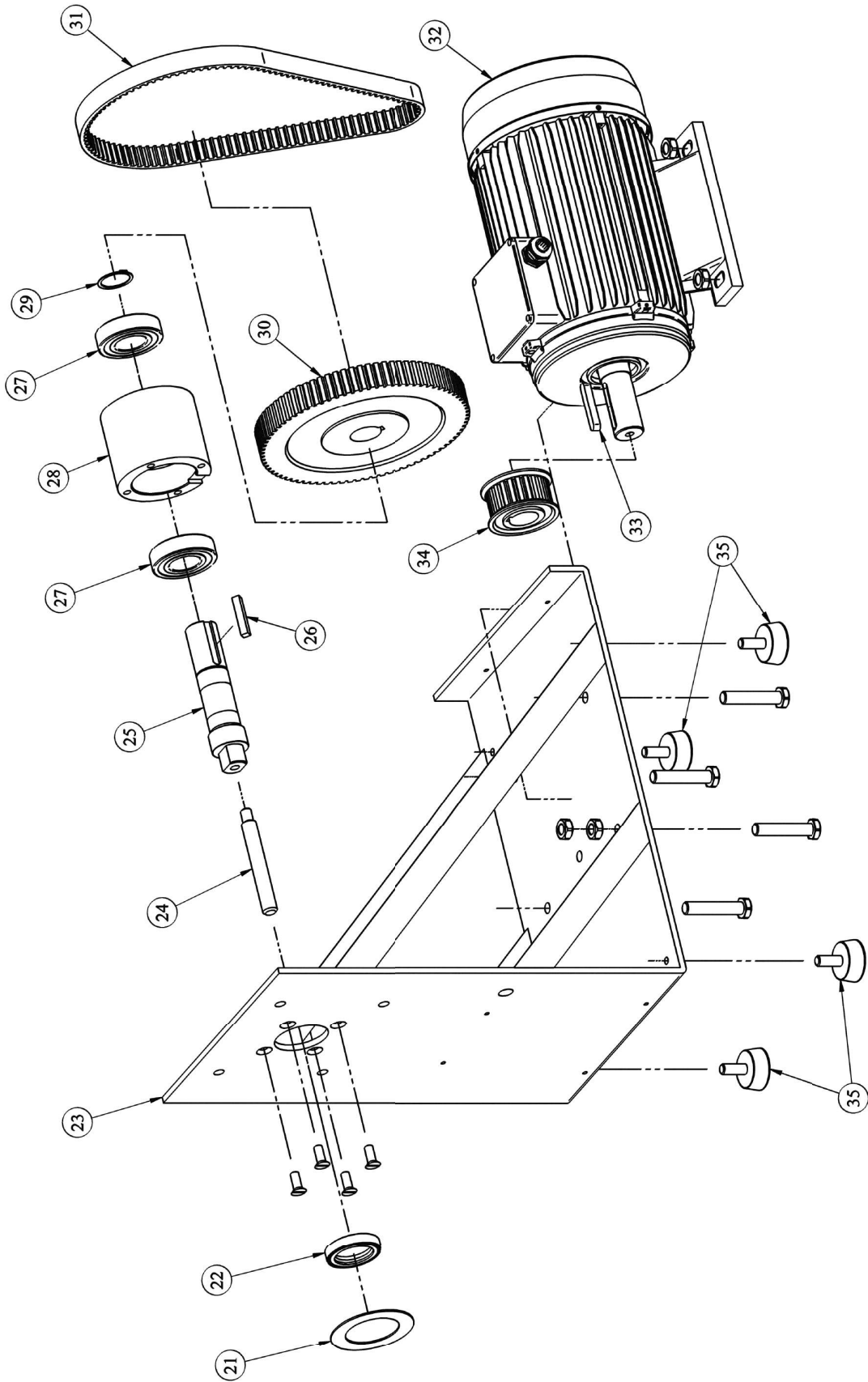
APPENDIX 4 Spare parts list

No.	Description	Note	Qty
01	Front plate		1
02	Hand knob		4
03	Finger screw		1
04	Handwheel		1
05	Bearing		1
06	Bearing	GFM-4044-30	1
07	Bearing (incl. part 06)		1
08	Hand knob		8
09	Meat tray holder		1
10	Washer		2
11	Meat tray		1
12	Paddle wheel		1
13	Pin		1
14	Circlip	22 mm (DIN 472)	1
15	Bearing	SS 627 ZZ	1
16	Circlip	7 mm (DIN 471)	1
17	Bushing		1
18	Back plate, stainless steel		1
19	Back plate, plastic		1
20	Safety tenon, complete set		1
21	Spacer plate		1
22	Gasket	AS 35 x 52 x 10	1
23	Gframe		1
24	Guide pin		1
25	Drive shaft		1
26	Key		1
27	Bearing	6206 2RS	2
28	Bearing block		1
29	Circlip	30 mm (DIN 471)	1
30	Cog belt pulley		1
31	Cog belt	800 8M	1
32	Motor		1
33	Key		1
34	Cog belt pulley		1
35	Foot		4
36	Safety switch		1
37	Bracket for safety switch		1
38	Cover		1
39	Start button		1
40	Stop button		1
41	Protective rubber		2
42	Emergency switch		1
43	Support		1
44	Sheet metal		1
45	Pusher for micro switch		1
46	Casing		1
47	Micro switch		1
48	Main power switch		1
49	Connection box		1
50	Contacto	DILM 9-10	1

No.	Description	Note	Qty
51	Thermal overload relay	ZB 12-6	1
52	Transformer	FR60B-38024 40VA	1
53	Cable gland, angled		1
54	Cable gland		1
55	Plug		1
56	Lifting hook for blade set		1
57	Washing stand		1
58	Box for blade set		1
59	Brush	9 mm	1
60	Brush	18 mm	1
61	Brush	27 mm	1
62	Stand		1
63	Wheel with brake		2
64	Wheel		2
65	Feeding vessel (incl. part 66)		1
66	Support for feeding vessel		1
67	Cable		1
Blade sets			
100	Blade set, complete	4 mm	1
101	Blade set, complete	6 mm	1
102	Blade set, complete	9 mm	1
103	Blade set, complete	18 mm	1
104	Blade set, complete	27 mm	1
105	Blade set, complete	12 mm	1
106	Blade set, complete	24 mm	1
107	Blade set, complete	15 mm	1
108	Upper comb, complete (2 pcs)	4 mm	1
109	Upper comb	6 mm	1
110	Upper comb	9/18/27 mm	1
111	Upper comb	12/24 mm	1
112	Upper comb	15 mm	1
113	Lower comb	4 mm	1
114	Lower comb	6 mm	1
115	Lower comb	9/18/27 mm	1
116	Lower comb	12/24 mm	1
117	Lower comb	15 mm	1
118	Blade spacer set	4 mm	1
119	Blade spacer set	6 mm	1
120	Blade spacer set	9 mm	1
121	Blade spacer set	18 mm	1
122	Blade spacer set	27 mm	1
123	Blade spacer set	12 mm	1
124	Blade spacer set	24 mm	1
125	Blade spacer set	15 mm	1
126	Blade		
127	Blade set shaft		1
128	Nut for blade set shaft		1
129	Upper comb, complete (2 pcs)	6 mm	1
130	Upper comb, complete (2 pcs)	9 mm	1
131	Upper comb metal plate	4/6/9 mm	1
132	Upper comb plastic	4 mm	1
133	Upper comb plastic	6 mm	1
134	Upper comb plastic	9 mm	1
135	Cover for blade set		2
136	Blade set, complete	36 mm	1
137	Blade spacer set	36 mm	1



F-19S



F-19S
6/2015

