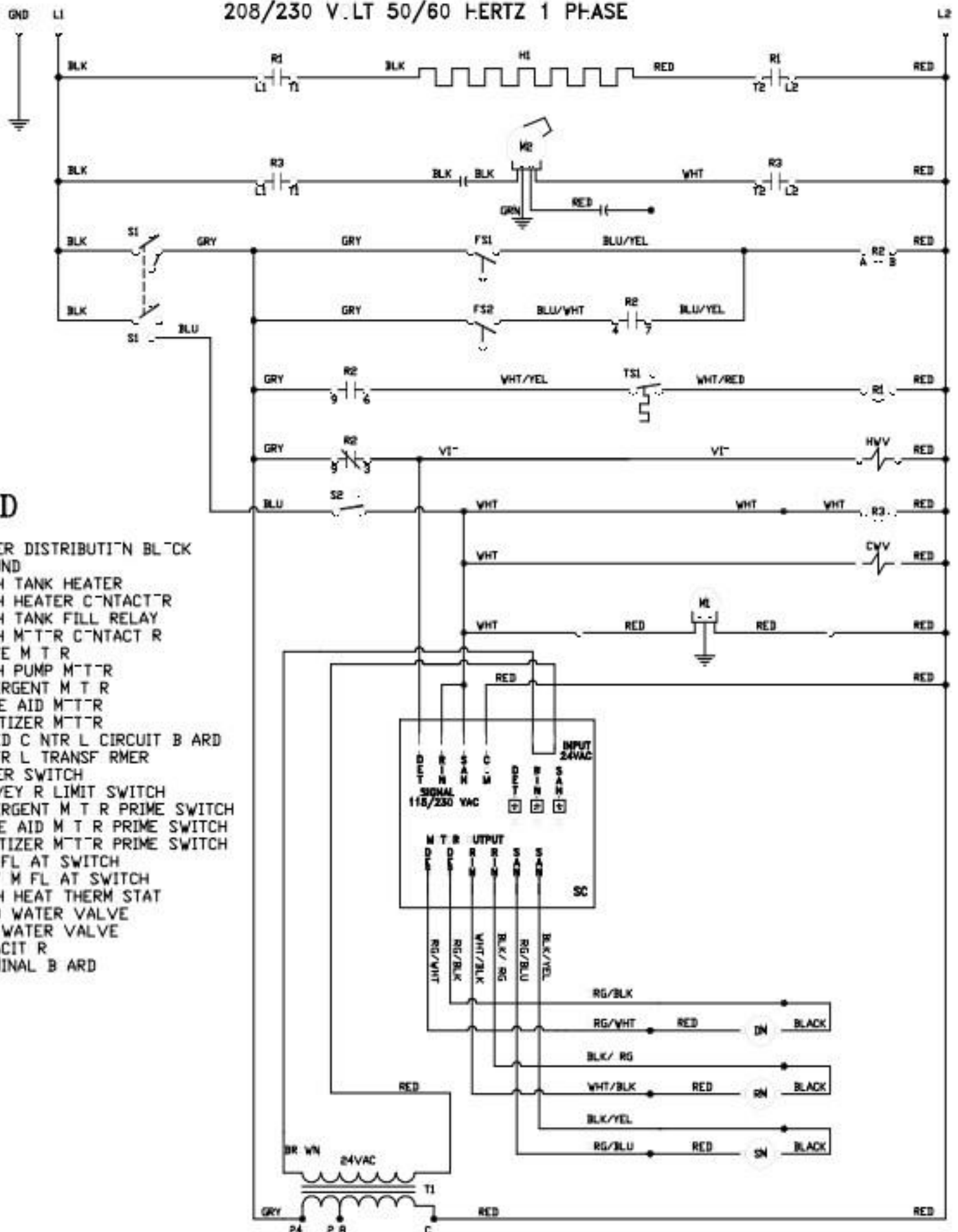


GLASSWASHER ELECTRICAL DIAGRAM

208/230 V. LT 50/60 HERTZ 1 PHASE



LEGEND

- L1 L2 P- WER DISTRIBUTI- N BL- CK
- GND GR- UND
- H1 WASH TANK HEAT- ER
- R1 WASH HEAT- ER C- NTRACT- R
- R2 WASH TANK FILL RELAY
- R3 WASH M- T- R C- NTRACT- R
- M1 DRIVE M- T- R
- M2 WASH PUMP M- T- R
- DM DETERGENT M- T- R
- RM RINSE AID M- T- R
- SM SANITIZER M- T- R
- SC SPEED C- NTR- L CIRCUIT B- ARD
- T1 C- NTR- L TRANSF- RMER
- S1 P- WER SWITCH
- S2 C- NVEY- R LIMIT SWITCH
- S3 DETERGENT M- T- R PRIME SWITCH
- S4 RINSE AID M- T- R PRIME SWITCH
- S5 SANITIZER M- T- R PRIME SWITCH
- FS1 T- P FL- AT SWITCH
- FS2 B- TT M FL- AT SWITCH
- TS1 WASH HEAT THERM STAT
- CWV C- LD WATER VALVE
- HWV H- T WATER VALVE
- CP CAPACIT- R
- TB TERMINAL B- ARD