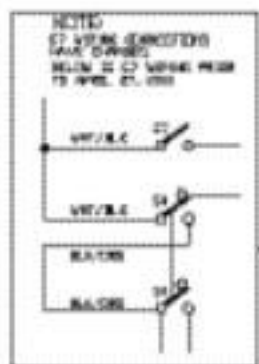


DELTA 5 ELECTRICAL DIAGRAM

110 VOLT 60/50 HERTZ 1 PHASE

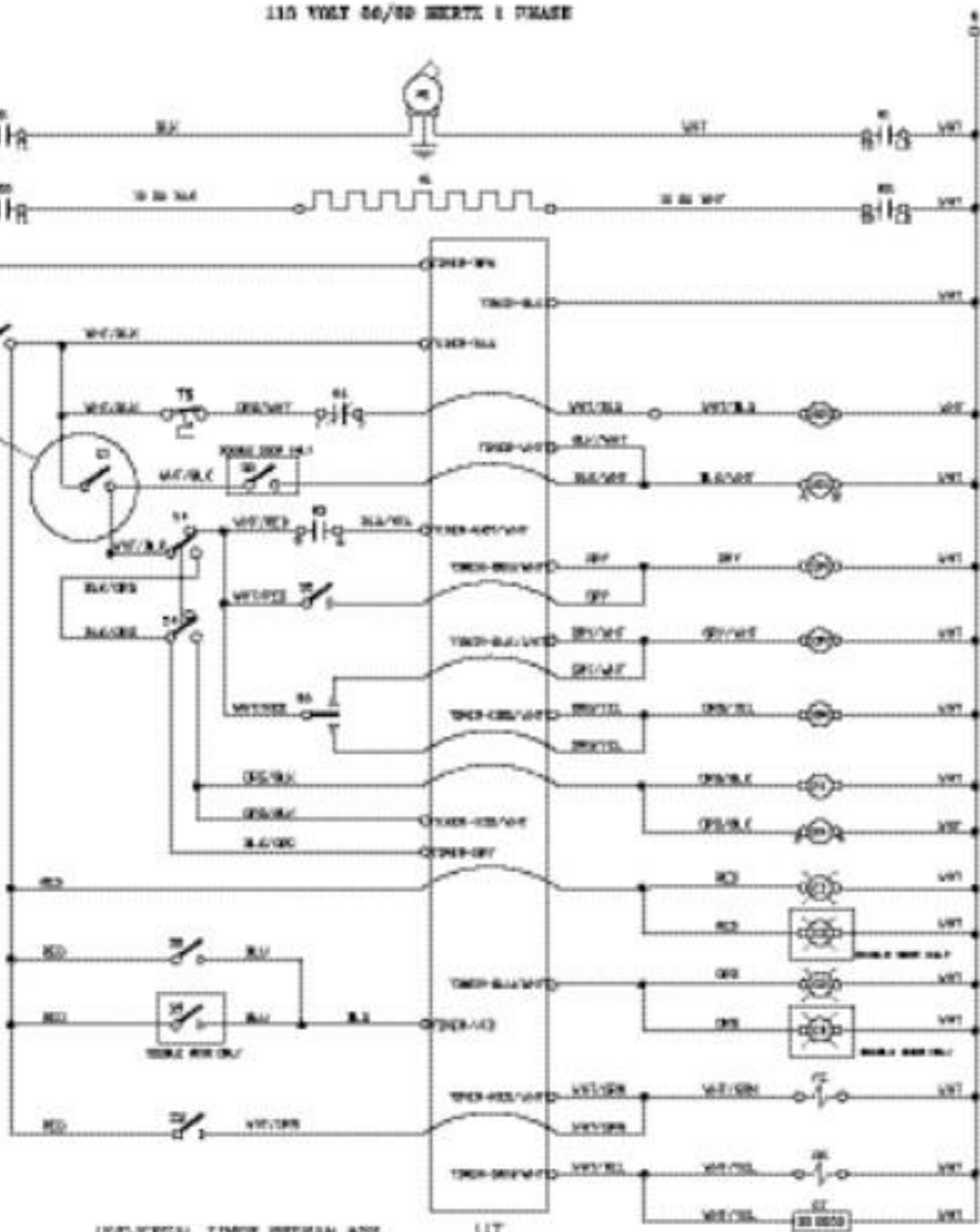


LEGEND

- LI H POWER DISTRIBUTION BLOCK
- GRD GROUND
- TS THERMISTAT
- H HEATING HEATER
- W WASH PUMP MOTOR
- DM DETERGENT MOTOR
- PH PHENOL MOTOR
- SN SANITIZER MOTOR
- UT UNIVERSAL TIMER
- W WASH MOTOR CONTACTOR
- RZ HEATER RELAY
- R3 CONTROL RELAY
- R4 HEATER DISABLE RELAY
- S1 POWER SWITCH
- S2 START SWITCH
- S3 FILL SWITCH
- S4 DELINE SWITCH
- S5 SANITIZER PROBE SWITCH
- S6 DET/RISE PROBE SWITCH
- S7 DOOR SWITCH
- L1 POWER LIGHT
- L2 CYCLE LIGHT
- DC BRAIN SOLENOID
- FD FILL SOLENOID
- CT CYCLE COUNTER

THE FOLLOWING ARE SPECIFIC TO
 30/40/50 UNIT ONLY

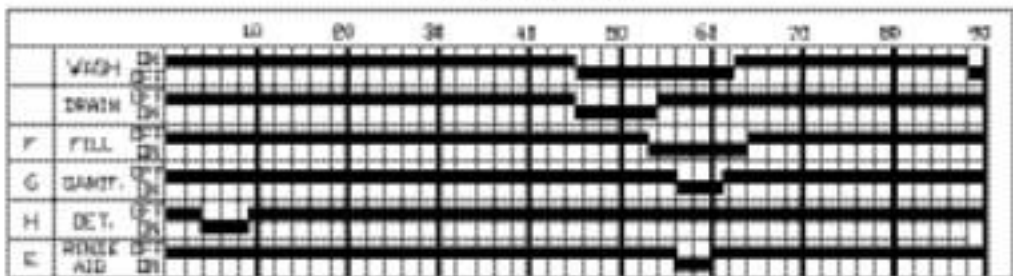
- S8 DOOR SWITCH 40
- S9 START SWITCH 40
- L3 POWER LIGHT 40
- L4 CYCLE LIGHT 40



UNIVERSAL TIMER PROGRAM AND
 DIP SWITCH SETTINGS

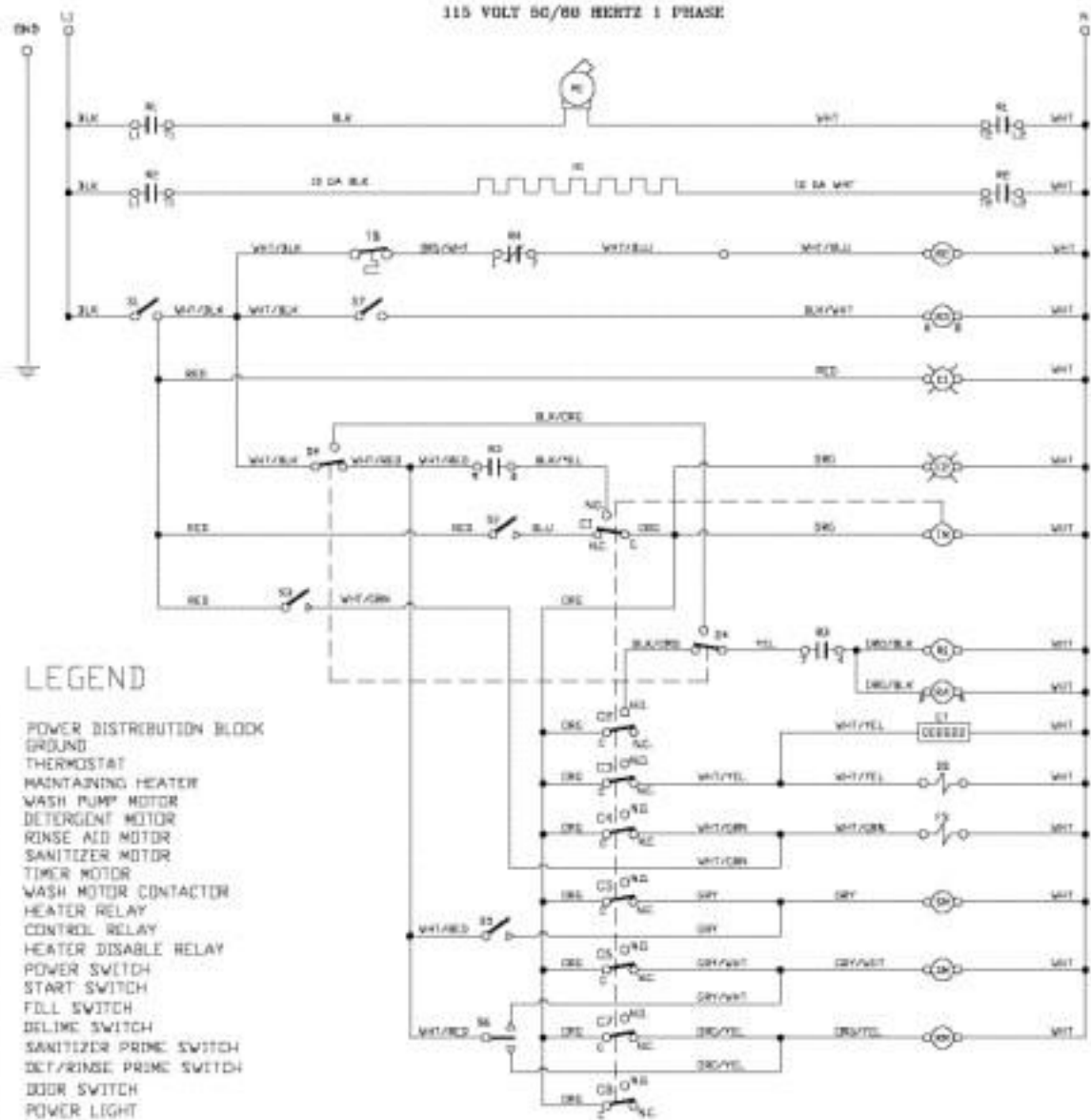


TIMING CHART



DELTA-5 ELECTRICAL DIAGRAM

115 VOLT 50/60 HERTZ 1 PHASE



LEGEND

- LI N POWER DISTRIBUTION BLOCK
- GND GROUND
- TS THERMOSTAT
- H1 MAINTAINING HEATER
- M1 WASH PUMP MOTOR
- DM DETERGENT MOTOR
- RH RINSE AID MOTOR
- SM SANITIZER MOTOR
- TM TIMER MOTOR
- R1 WASH MOTOR CONTACTOR
- R2 HEATER RELAY
- R3 CONTROL RELAY
- R4 HEATER DISABLE RELAY
- S1 POWER SWITCH
- S2 START SWITCH
- S3 FILL SWITCH
- S4 DELINE SWITCH
- S5 SANITIZER PRIME SWITCH
- S6 DEF/RINSE PRIME SWITCH
- S7 DOOR SWITCH
- C1 POWER LIGHT
- C2 CYCLE LIGHT
- FS DRAIN SOLENOID
- FS FILL SOLENOID
- CT CYCLE COUNTER
- C1 CYCLE/RESET MICROSWITCH
- C2 WASH MICROSWITCH
- C3 DRAIN MICROSWITCH
- C4 FILL MICROSWITCH
- C5 SANITIZER MICROSWITCH
- C6 DETERGENT MICROSWITCH
- C7 RINSE AID MICROSWITCH
- C8 SPARE MICROSWITH

TIMING CHART

