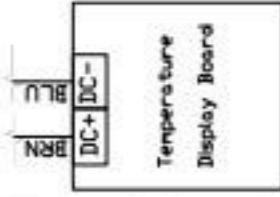
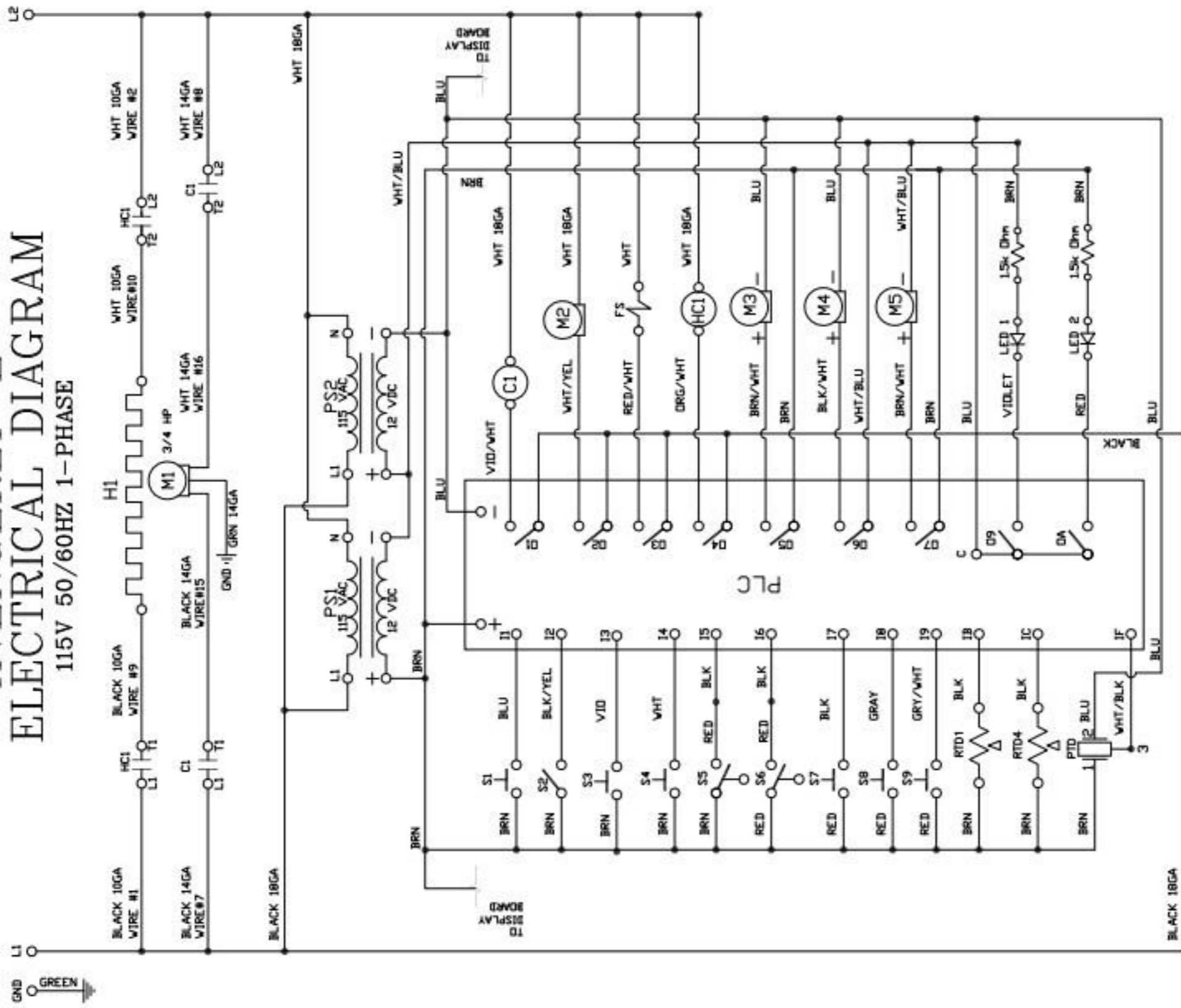


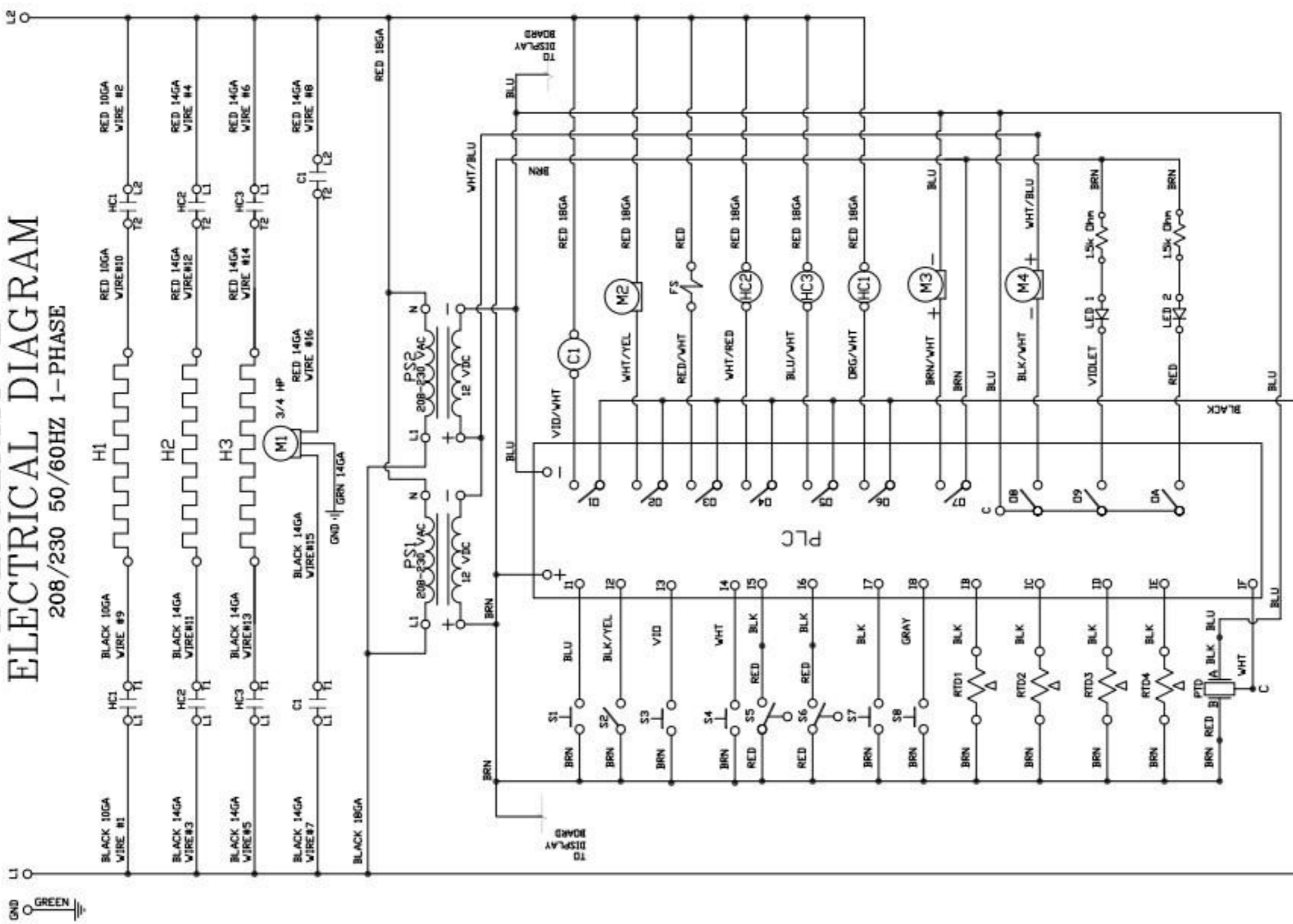
AVENGERLT-E ELECTRICAL DIAGRAM 115V 50/60HZ 1-PHASE



LEGEND

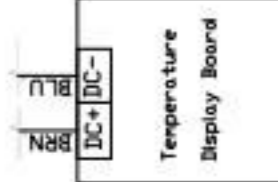
C1	WASH MOTOR CONTACTOR	M4	RINSE AID MOTOR	S4	DELIME SWITCH
FS	FILL SOLENOID	M5	SANITIZER MOTOR	S5	HORIZONTAL FLOAT
GND	GROUND	PS1	POWER SUPPLY	S6	VERTICAL FLOAT
H1	WASH HEATER	PS2	POWER SUPPLY	S7	DETERGENT PRIME SWITCH
HC1	WASH HEATER CONTACTOR	PTD	PRESSURE TRANSDUCER	S8	RINSE AID PRIME SWITCH
LED 1	FLUSH INDICATOR LED	RTD 1	WASH REGULATION THERMOSTAT	S9	SANITIZER PRIME SWITCH
LED 2	DELIME INDICATOR LED	RTD 2	TEMPERATURE GAUGE		
M1	WASH MOTOR	S1	POWER SWITCH		
M2	DRAIN MOTOR	S2	DOOR SAFETY SWITCH		
M3	DETERGENT MOTOR	S3	CYCLE SWITCH		

AVENGERHT-E ELECTRICAL DIAGRAM 208/230 50/60HZ 1-PHASE



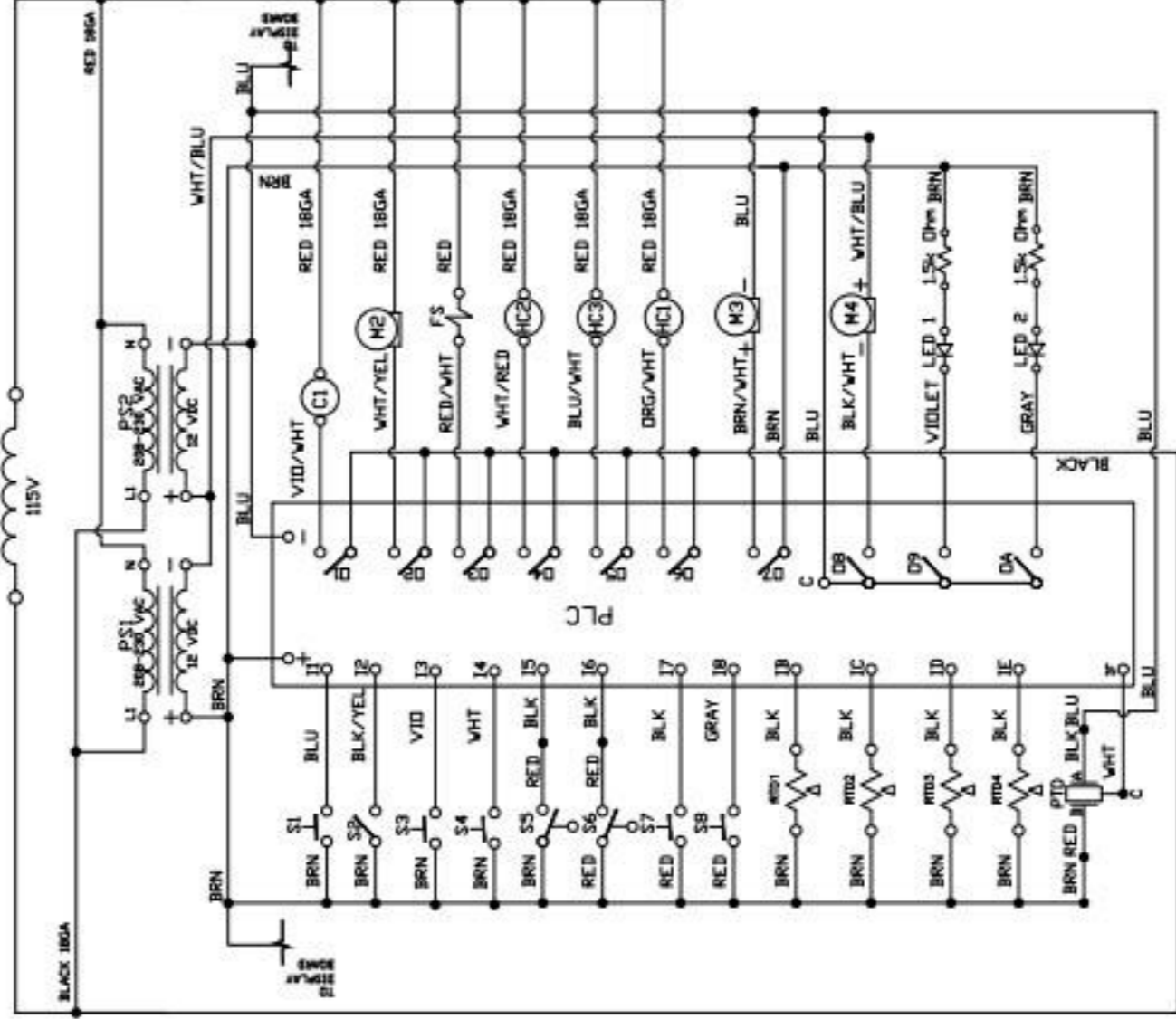
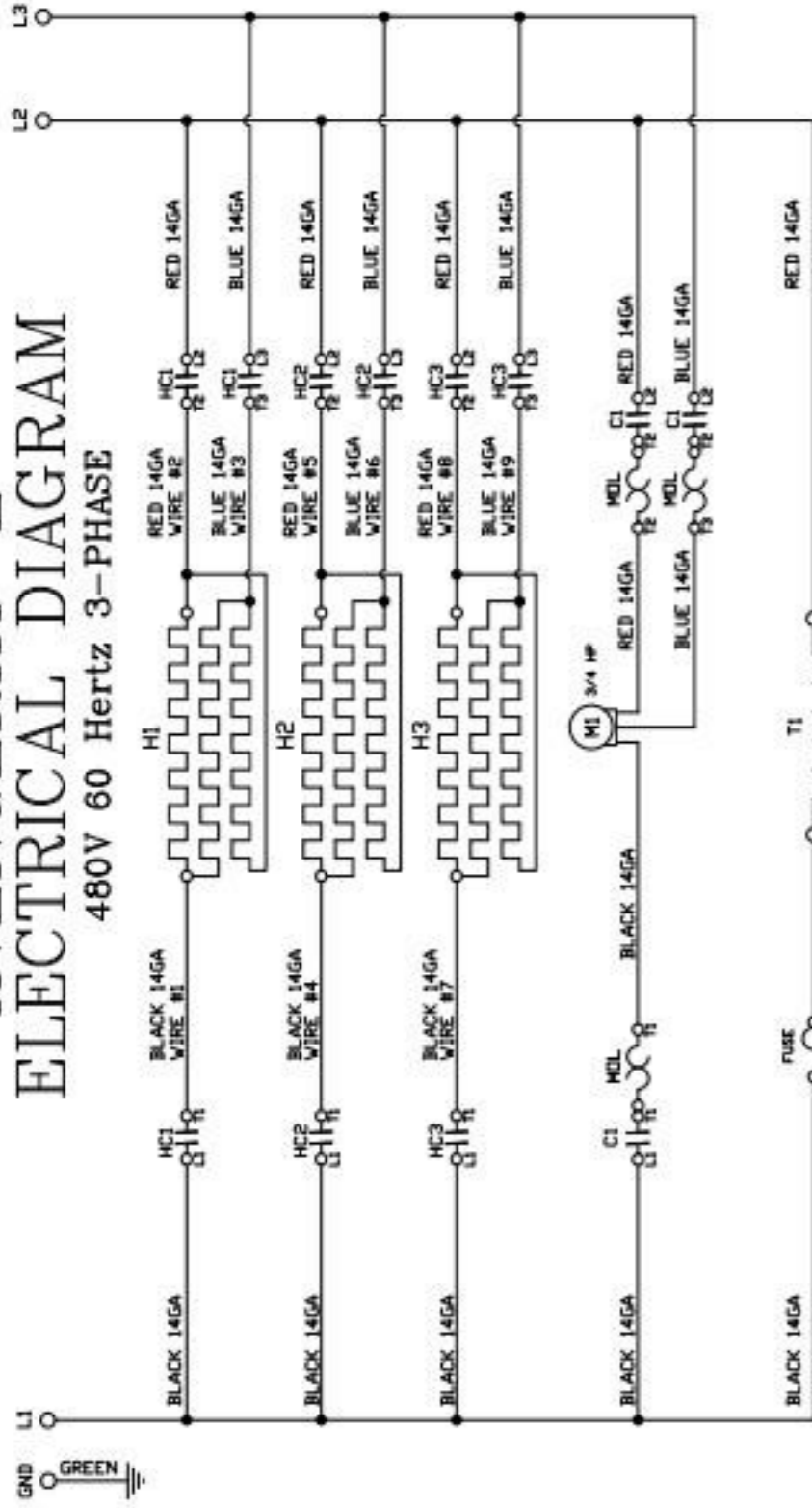
LEGEND

GND	GROUND	S1	POWER SWITCH	PS2	POWER SUPPLY	C1	WASH MOTOR CONTACTOR
H1	WASH HEATER	S2	DOOR SAFETY SWITCH	RTD1	WASH REGULATING THERMOSTAT	LED 1	FLUSH INDICATOR LED
H2	RINSE HEATER TOP	S3	CYCLE SWITCH	RTD2	TOP RINSE TANK THERMOSTAT	LED 2	DELUXE INDICATOR LED
H3	RINSE HEATER BOTTOM	S4	DELUXE SWITCH	RTD3	LOWER RINSE TANK THERMOSTAT		
M1	WASH MOTOR	S5	HORIZONTAL FLOAT SWITCH	RTD4	TEMPERATURE GAUGE		
M2	DRAIN MOTOR	S6	VERTICAL FLOAT SWITCH	FS	RINSE/FILL SOLENOID		
M3	DETERGENT MOTOR	S7	RINSE AID PRIME SWITCH	HC1	WASH HEATER CONTACTOR		
M4	RINSE AID MOTOR	S8	DETERGENT PRIME SWITCH	HC2	TOP RINSE HEATER CONTACTOR		
PTD	PRESSURE TRANSDUCER	PS1	POWER SUPPLY	HC3	LOWER RINSE HEATER CONTACTOR		



AVENGERHT-E ELECTRICAL DIAGRAM

480V 60 Hertz 3-PHASE



LEGEND

C1	WASH MOTOR CONTACTOR	LED2	DELIME INDICATOR LED	RTD 3	LOWER RINSE TANK THERMOSTAT	T1	TRANSFORMER
FS	FILL SOLENOID	M1	WASH MOTOR	RTD 4	TEMPERATURE GAUGE		
GND	GROUND	M2	DRAIN MOTOR	S1	POWER SWITCH		
M1	WASH HEATER	M3	DETERGENT MOTOR	S2	DOOR SAFETY SWITCH		
M2	RINSE HEATER TOP	M4	RINSE AID MOTOR	S3	CYCLE SWITCH		
M3	RINSE HEATER BOTTOM	PS1	POWER SUPPLY	S4	DELIME SWITCH		
HC1	WASH HEATER CONTACTOR	PS2	POWER SUPPLY	S5	HORIZONTAL FLOAT		
HC2	TOP RINSE HEATER CONTACTOR	PTD	PRESSURE TRANSDUCER	S6	VERTICAL FLOAT		
HC3	BOTTOM RINSE HEATER CONTACTOR	RTD 1	WASH REGULATION THERMOSTAT	S7	DETERGENT PRIME SWITCH		
LED 1	FLUSH INDICATOR LED	RTD 2	TOP RINSE TANK THERMOSTAT	S8	RINSE AID PRIME SWITCH		

