

INSTALLATION/OPERATION & TECHNICAL MANUAL

FOR JACKSON MODELS:

AJ-44CE

AJ-66CE

AJ-80CE

AJ-44CEL

AJ-66CEL

AJ-80CEL

AJ-44CGP

AJ-66CGP

AJ-80CS

AJ-44CS

AJ-66CS

AJ-80CSL

AJ-44CSL

AJ-66CSL



MANUFACTURERS WARRANTY

ONE YEAR LIMITED PARTS & LABOR WARRANTY

ALL NEW JACKSON DISHWASHERS ARE WARRANTED TO THE ORIGINAL PURCHASER TO BE FREE FROM DEFECTS IN MATERIAL OR WORKMANSHIP, UNDER NORMAL USE AND OPERATION FOR A PERIOD OF (1) ONE YEAR FROM THE DATE OF PURCHASE, BUT IN NO EVENT TO EXCEED (18) EIGHTEEN MONTHS FROM THE DATE OF SHIPMENT FROM THE FACTORY.

Jackson MSC agrees under this warranty to repair or replace , at its discretion, any original part which fails under normal use due to faulty material or workmanship during the warranty period, providing the equipment has been unaltered, and has been properly installed, maintained and operated in accordance with the applicable factory instruction manual furnished with the machine and the failure is reported to the authorized service agency within the warranty period. This includes the use of factory specified genuine replacement parts, purchased directly from a Jackson authorized parts distributor or service agency. Use of generic replacement parts may create a hazard and void warranty certification.

The labor to repair or replace such failed part will be paid by Jackson MSC, within the continental United States, Hawaii and Canada, during the warranty period provided a Jackson MSC authorized service agency, or those having prior authorization from the factory, performs the service. Any repair work by persons other than a Jackson MSC authorized service agency is the sole responsibility of the customer. Labor coverage is limited to regular hourly rates, overtime premiums and emergency service charges will not be paid by Jackson MSC.

Accessory components not installed by the factory carry a (1) one year parts warranty only. Accessory components such as table limit switches, pressure regulators, pre rinse units, etc. that are shipped with the unit and installed at the site are included. Labor to repair or replace these components is not covered by Jackson MSC.

This warranty is void if failure is a direct result from shipping, handling, fire, water, accident, misuse, acts of god, attempted repair by unauthorized persons, improper installation, if serial number has been removed or altered, or if unit is used for purpose other than it was originally intended.

TRAVEL LIMITATIONS

Jackson MSC limits warranty travel time to (2) two hours and mileage to (100) one hundred miles. Jackson MSC will not pay for travel time and mileage that exceeds this, or any fees such as those for air or boat travel without prior authorization.

WARRANTY REGISTRATION CARD

The warranty registration card supplied with the machine must be returned to Jackson MSC within 30 days to validate the warranty.

REPLACEMENT PARTS WARRANTY

Jackson replacement parts are warranted for a period of 90 days from the date of installation or 180 days from the date of shipment from the factory, which ever occurs first.

PRODUCT CHANGES AND UPDATES

Jackson MSC reserves the right to make changes in design and specification of any equipment as engineering or necessity requires.

THIS IS THE ENTIRE AND ONLY WARRANTY OF JACKSON MSC. JACKSON'S LIABILITY ON ANY CLAIM OF ANY KIND, INCLUDING NEGLIGENCE, WITH RESPECT TO THE GOODS OR SERVICES COVERED HEREUNDER, SHALL IN NO CASE EXCEED THE PRICE OF THE GOODS OR SERVICES OR PART THEREOF WHICH GIVES RISE TO THE CLAIM.

THERE ARE NO WARRANTIES, EXPRESSED OR IMPLIED, INCLUDING FOR FITNESS OR MERCHANTABILITY, THAT ARE NOT SET FORTH HEREIN, OR THAT EXTEND BEYOND THE DURATION HEREOF. UNDER NO CIRCUMSTANCES WILL JACKSON MSC BE LIABLE FOR ANY LOSS OR DAMAGE, DIRECT OR CONSEQUENTIAL, OR FOR THE DAMAGES IN THE NATURE OF PENALTIES, ARISING OUT OF THE USE OR INABILITY TO USE ANY OF ITS PRODUCTS.

ITEMS NOT COVERED

This warranty does not cover cleaning or deliming of the unit or any component such as, but not limited to, wash arms, rinse arms or strainers at anytime. Nor does it cover adjustments such as, but not limited to timer cams, thermostats or doors, beyond 30 days from the date of installation. In addition, the warranty will only cover the replacement of wear items such as curtains, drain balls, door guides or gaskets during the first 30 days after installation. Also, not covered are conditions caused by the use of incorrect (non-Commercial) grade detergents, incorrect water temperature or pressure, or hard water conditions.



**CALL 1-888-800-5672 TO REGISTER THIS PRODUCT!
FAILURE TO DO SO WILL VOID THE WARRANTY!**

**LLAME AL 1-888-800-5672 PARA REGISTRAR ESTE PRODUCTO!
AL NO HACERLO LA GARANTIA SERA ANULADA!**

**S.V.P. APPELER 1-888-800-5672 POUR ENREGISTRER CE PRODUIT,
LA GARANTIE SERA ANNULEE POUR TOUT PRODUIT NON- ENREGISTREE**

REVISION/ PAGE	REVISION DATE	MADE BY	APPLICABLE ECN	DETAILS
D	05-14-2004	CBW	N/A	Added exhaust fan hook-up schematic.
E	03-08-2005	MAW	7096	Updated installation instructions. Added 3 instruction sheets for limit switches. Added instruction sheet for curtain installation. Changed layout.
F	01-13-2006	CBW	7470	Added service kits and maintenance instructions.
G	01-26-2006	MAW	7600	Added Gas Exhaust Fan Schematic & component kits.
H	03-21-2006	MAW	7571, 7558 7634	Added thermostat replacement kits. Added vent cowl assembly for hooded side loader. Replaced rinse drain weldment. Added scrap basket strainer kit.
98	04-19-2007	MAW	7898	Added 09905-003-32-20 fan load decal to the exhaust fan control kit. Added warranty pages and service centers listings.
35 & 36	05-03-2007	MAW	7913	Added instructions and all necessary information for change of sanitization mode.
5 thru 22, 111	08-29-2007	MAW	N/A	Updated dimension pages. Removed alternate table limit switches.
I	10-09-2009	KJS	8044	Changed the part from a weldment (05700-021-67-50) to a casting (09515-003-58-12).



AJ-44CSL

AJ = AJ series of rack conveyors

44 = 44" wide machine

66 = 66" wide machine

80 = 80" wide machine

CE = Electrically heated, hot water sanitizing machine

CEL = Electrically heated, chemical sanitizing machine

CS = Steam heated, hot water sanitizing machine

CSL = Steam heated, chemical sanitizing machine

CGP = Gas heated, hot water sanitizing machine

Model: _____

Serial No.: _____

Installation Date: _____

Service Rep. Name: _____

Phone No.: _____

Jackson MSC LLC. provides technical support for all of the dishmachines detailed in this manual. We strongly recommend that you refer to this manual before making a call to our technical support staff. Please have this manual with you when you call so that our staff can refer you, if necessary, to the proper page. Technical support is available from 8:00 a.m. to 5:00 p.m. (EST), Monday through Friday. Technical support is not available on holidays. Contact technical support toll free at 1-888-800-5672. Please remember that technical support is available for service personnel only.

TABLE OF CONTENTS

<u>SECTION</u>	<u>DESCRIPTION</u>	<u>PAGE</u>
I.	SPECIFICATION INFORMATION	
	Operating Characteristics	2
	Electrical Requirements	3
	D226 Steam Booster Parameters	4
	AJ-44 Electric - Left to Right	5
	AJ-44 Electric - Right to Left	6
	AJ-44 Gas - Left to Right	7
	AJ-44 Gas - Right to Left	8
	AJ-44 Steam - Left to Right	9
	AJ-44 Steam - Right to Left	10
	AJ-66 Electric - Left to Right	11
	AJ-66 Electric - Right to Left	12
	AJ-66 Gas - Left to Right	13
	AJ-66 Gas - Right to Left	14
	AJ-66 Steam - Left to Right	15
	AJ-66 Steam - Right to Left	16
	AJ-80 Electric - Left to Right	17
	AJ-80 Electric - Right to Left	18
	AJ-80 Gas - Left to Right	19
	AJ-80 Gas - Right to Left	20
	AJ-80 Steam - Left to Right	21
	AJ-80 Steam - Right to Left	22
	Side Loader (Left to Right) Dimensions	23
	Side Loader (Right to Left) Dimensions	24
	Side Loader (Installed) Dimensions	25
	D226 Steam Booster Dimensions	26
	D226 Steam Booster Plumbing Line Drawings	27
	Typical Electric and Gas Booster Dimensions	28
II.	INSTALLATION & OPERATION INSTRUCTIONS	
	Installation Instructions	30
	Delimiting Operations	33
	Changing the AJ-44CE/CS Direction of Travel	34
	Curtain Installation Diagrams	40
	Side Loader Installation & Operation Instructions	41
	D226 Steam Booster Installation & Operation Instructions	42
	Gas Conveyor Hose Installation	44
	Dishmachine Operating Instructions	46
	Changing Dual Sanitization Mode	48
	Detergent Control	50
	Striker Plate Limit Switch Installation Instructions	51
III.	PREVENTATIVE MAINTENANCE	
	General Maintenance	53
	D226 Maintenance	54
	Lubrication Chart for Drive Gear	55
	Drive Motor Gear Reducer Preventative Maintenance	56
IV.	TROUBLESHOOTING SECTION	
	Common Problems	58
	D226 Common Problems	60

TABLE OF CONTENTS

PARTS

V.	PARTS SECTION	
	AJ-44 Control Box Assembly	62
	AJ-66/AJ-80 Control Box Assembly	64
	Motor Overload Chart	66
	Heater Assembly	67
	Thermostats/Dress Panels	69
	Prewash Plumbing Assembly	70
	Wash Section Plumbing	71
	External Electric Booster Option Incoming Plumbing	72
	External Electric Booster Option Outlet Plumbing	73
	Water Hammer Arrestor Option WPRK Plumbing Option	74
	3/4" Solenoid Valve & 3/4" NPT Vacuum Breaker Repair Parts Kits	75
	Steam Unit Wash Tank Coil Assembly	76
	Steam Plumbing (Left to Right)	77
	Steam Plumbing (Right to Left)	78
	Gas Coil Assembly (CGP Models)	79
	Rinse Booster Tank Assembly (CGP Models)	80
	Recirculating Pump Assembly (CGP Models)	81
	Hose Connections (CGP Models)	82
	Wash/Fill Plumbing Assembly (CGP Models)	83
	Rinse Header Plumbing Assembly (CGP Models)	84
	AJ-44 Series Drain Plumbing Assemblies	85
	AJ-66 Drain Plumbing Assemblies	86
	AJ-80 Drain Plumbing Assemblies	87
	AJ-66 Drain Plumbing Assembly (Left to Right) (CGP Models)	88
	AJ-66 Drain Plumbing Assembly (Right to Left) (CGP Models)	89
	Drain Quench Assembly	90
	Motor Assemblies	91
	Prewash & Wash Pump Weldments	92
	Lower Wash Arm Assembly	93
	Prewash Arm/Upper Wash Arm Assembly	94
	Curtains/Tub Magnets	95
	Final Rinse Assembly	96
	Drive Assembly	97
	Door Assemblies	99
	Pawl Bar Miscellaneous Components	100
	AJ-44 & AJ-66 Pawl Bar Assemblies	101
	AJ-80 Pawl Bar Assemblies	102
	AJ-44 Rack Rail Assembly	103
	AJ-66 Rack Rail Assemblies	104
	AJ-80 Rack Rail Assemblies	105
	Miscellaneous Parts & Weldments	106
	Manifolds/Strainer Support Weldments	107
	Strainers	108
	Float Switch Components/Scrap Baskets	109
	Vent Cowl Assembly/Vent Scoop Option	110
	Exhaust Fan Control/Table Limit Switch	111
	SIDE LOADER SECTION	
	Side Loader Track Assembly/Leg Replacements/Strainer	112
	Side Loader Pawl Bar Assemblies/Pawl Bar Bracket/Magnet	113
	Side Loader Vent Cowl Option	114
	D226 STEAM BOOSTER SECTION	
	Control Box Assembly	115
	Plumbing Assembly	116
	Go*Box Components	118
	BC Ferries Options	119

TABLE OF CONTENTS
ELECTRICAL SCHEMATICS

VI.	ELECTRICAL SCHEMATICS	
	AJ-44CE/CEL	
	200-230 Volt, 50/60 Hz, 1 Phase Primary Side	121
	200-230 Volt, 50/60 Hz, 1 Phase Secondary Side	122
	200-230 Volt, 50/60 Hz, 3 Phase Primary Side	123
	200-230 Volt, 50/60 Hz, 3 Phase Secondary Side	124
	380-460-600 Volt, 60 Hz, 3 Phase Primary Side	125
	380-460-600 Volt, 60 Hz, 3 Phase Secondary Side	126
	380-415 Volt, 50 Hz, 3 Phase Primary Side	127
	380-415 Volt, 50 Hz, 3 Phase Secondary Side	128
	440 Volt, 50 Hz, 3 Phase Primary Side	129
	440 Volt, 50 Hz, 3 Phase Secondary Side	130
	440 Volt, 50 Hz, 3 Phase, 5 Wire Primary Side	131
	440 Volt, 50 Hz, 3 Phase, 5 Wire Secondary Side	132
	AJ-44CS/CSL	
	200-230 Volt, 50/60 Hz, 1 Phase Primary Side	133
	200-230 Volt, 50/60 Hz, 1 Phase Secondary Side	134
	200-230 Volt, 50/60 Hz, 3 Phase Primary Side	135
	200-230 Volt, 50/60 Hz, 3 Phase Secondary Side	136
	380-415-440-460-600 Volt, 60 Hz, 3 Phase Primary Side	137
	380-415-440-460-600 Volt, 60 Hz, 3 Phase Secondary Side	138
	AJ-66CE/CEL & AJ-80CE/CEL	
	200-230 Volt, 50/60 Hz, 1 Phase Primary Side	139
	200-230 Volt, 50/60 Hz, 1 Phase Secondary Side	140
	200-230 Volt, 50/60 Hz, 3 Phase Primary Side	141
	200-230 Volt, 50/60 Hz, 3 Phase Secondary Side	142
	380-460-600 Volt, 60 Hz, 3 Phase Primary Side	143
	380-460-600 Volt, 60 Hz, 3 Phase Secondary Side	144
	380-415-440 Volt, 50 Hz, 3 Phase Primary Side	145
	380-415-440 Volt, 50 Hz, 3 Phase Secondary Side	146
	AJ-66CS/CSL & AJ-80CS/CSL	
	200-230 Volt, 50/60 Hz, 1 Phase Primary Side	147
	200-230 Volt, 50/60 Hz, 1 Phase Secondary Side	148
	200-230 Volt, 50/60 Hz, 3 Phase Primary Side	149
	200-230 Volt, 50/60 Hz, 3 Phase Secondary Side	150
	380-415-440-460-600 Volt, 60 Hz, 3 Phase Primary Side	151
	380-415-440-460-600 Volt, 60 Hz, 3 Phase Secondary Side	152
	AJ-44CGP	
	200-230 Volt, 50/60 Hz, 1 Phase Primary Side	153
	200-230 Volt, 50/60 Hz, 1 Phase Secondary Side	154
	200-230 Volt, 50/ Hz, 3 Phase Primary Side	155
	200-230 Volt, 50/ Hz, 3 Phase Secondary Side	156
	460 Volt/60 Hz/3 Phase Primary Side	157
	460 Volt/60 Hz/3 Phase Primary Side	158
	AJ-66CGP, AJ-80CGP	
	200-230 Volt, 50/60 Hz, 1 Phase Primary Side	159
	200-230 Volt, 50/60 Hz, 1 Phase Secondary Side	160
	200-230 Volt, 50/60 Hz, 3 Phase Primary Side	161
	200-230 Volt, 50/60 Hz, 3 Phase Secondary Side	162
	460 Volt, 50/60 Hz, 3 Phase Primary Side	163
	460 Volt, 50/60 Hz, 3 Phase Secondary Side	164
	Conveyor Side Loader/D226 Steam Booster	165
	Exhaust Fan Hook-Up Schematics	166
VIII.	MAINTENANCE & REPAIR CENTERS	177

**SECTION 1:
SPECIFICATION INFORMATION**

SECTION 1: SPECIFICATION INFORMATION

OPERATING CHARACTERISTICS

RACKS PER HOUR:

AJ-44-66-80CE/CS/CGP	248
AJ-44-66-80CEL/CSL	234

DISHES OR GLASSES PER HOUR:

AJ-44-66-80CE/CS/CGP	6200
AJ-44-66-80CEL/CSL	5850

PREWASH TANK CAPACITY (GALLONS):

AJ-66CE/CEL/CS/CSL/CGP	16
AJ-80CE/CEL/CS/CSL/CGP	16

WASH TANK CAPACITY (GALLONS):

AJ-44-66-80CE/CS/CGP	15.4
----------------------	------

PREWASH PUMP CAPACITY (GPM):

AJ-66CE/CEL/CS/CSL/CGP	120
AJ-80CE/CEL/CS/CSL/CGP	270

WASH PUMP CAPACITY

GALLONS PER MINUTE (ALL MODELS):	270
----------------------------------	-----

VENTING REQUIREMENTS (CFM)(100% CAP.):

INPUT END	200
OUTPUT END	400
TOTAL	600

CONVEYOR SPEED (FPM):

AJ-44-66-80CE/CS/CGP MACHINES	6.9
AJ-44-66-80CEL/CSL MACHINES	6.5

GALLONS PER RACK:

AJ-44-66-80CE/CS/CGP MACHINES	.94
AJ-44-66-80CEL/CSL MACHINES	1.00

WATER TEMPERATURES:**AJ-44-66-80CE/CS/CGP MODELS:**

PREWASH (RECOMMENDED)	110-140°F
WASH (MINIMUM)	160°F
RINSE (MINIMUM)	180°F

AJ-44-66-80CEL/CSL MODELS:

PREWASH (RECOMMENDED)	110-140°F
WASH (MINIMUM)	140°F
RINSE (MINIMUM)	140°F

FLOW PRESSURE (PSI)

20 ± 5

FLOWRATE (GPM):

AJ-44-66-80CE/CS/CGP	3.9
AJ-44-66-80CEL/CSL	3.9

MINIMUM CHLORINE (PPM)

AJ-44-66-80CEL/CSL MODELS ONLY:	50
---------------------------------	----

STEAM COIL TANK HEAT (CS/CSL MODELS ONLY):

STEAM INLET PRESSURE (PSIG)	10-20
STEAM CONNECTION NPT	3/4"
CONSUMPTION @ 15 PSIG (lbs/hr):	
AJ-44-66-80CS/CSL	60

MOTOR ELECTRICAL CHARACTERISTICS:

DRIVE MOTOR HP	1/4
WASH MOTOR HP	2
POWER RINSE MOTOR HP	2
PREWASH MOTOR HP:	
AJ-66 MODELS	1
AJ-80 MODELS	2

NOTE: Typical Electrical Circuit is based upon (1) 125% of the full amperage load of the machine and (2) typical fixed-trip circuit breaker sizes as listed in the NEC 2002 Edition. Local codes may require more stringent protection than what is displayed here. Always verify with your electrical service contractor that your circuit protection is adequate and meets all applicable national and local codes. These numbers are provided in this manual simply for reference and may change without notice at any given time.

SECTION 1: SPECIFICATION INFORMATION
ELECTRICAL REQUIREMENTS

AJ-44CE/CEL MODELS

<u>VOLTS</u>	<u>PH</u>	<u>HZ</u>	<u>TOTAL AMPS</u>	<u>TYPICAL ELECTRICAL CIRCUIT</u>
208	3	50	55 A	70 AMP
220	3	50	49 A	70 AMP
230	3	50	51 A	70 AMP
380	3	50	29 A	40 AMP
415	3	50	28 A	35 AMP
440	3	50	28 A	35 AMP
208	1	60	83 A	110 AMP
230	1	60	76 A	100 AMP
200	3	60	47 A	60 AMP
208	3	60	49 A	70 AMP
230	3	60	45 A	60 AMP
380	3	60	29 A	40 AMP
460	3	60	23 A	30 AMP
600	3	60	19 A	25 AMP

AJ-66CE/CEL MODELS

<u>VOLTS</u>	<u>PH</u>	<u>HZ</u>	<u>TOTAL AMPS</u>	<u>TYPICAL ELECTRICAL CIRCUIT</u>
208	3	50	58 A	80 AMP
220	3	50	53 A	70 AMP
230	3	50	54 A	70 AMP
380	3	50	31 A	40 AMP
415	3	50	34 A	45 AMP
440	3	50	33 A	45 AMP
208	1	60	89 A	125 AMP
230	1	60	82 A	110 AMP
200	3	60	51 A	70 AMP
208	3	60	52 A	70 AMP
230	3	60	48 A	60 AMP
380	3	60	31 A	40 AMP
460	3	60	24 A	30 AMP
600	3	60	22 A	30 AMP

AJ-44CGP MODELS

<u>VOLTS</u>	<u>PH</u>	<u>HZ</u>	<u>TOTAL AMPS</u>	<u>TYPICAL ELECTRICAL CIRCUIT</u>
208	1	60	12 A	15 AMP
230	1	60	11 A	15 AMP
208	3	60	8 A	15 AMP
230	3	60	7 A	15 AMP
460	3	60	5 A	15 AMP

AJ-66CGP MODELS

<u>VOLTS</u>	<u>PH</u>	<u>HZ</u>	<u>TOTAL AMPS</u>	<u>TYPICAL ELECTRICAL CIRCUIT</u>
208	1	60	17 A	15 AMP
230	1	60	17 A	15 AMP
208	3	60	11A	15 AMP
230	3	60	11A	15 AMP
460	3	60	6 A	15 AMP

AJ-44CS/CSL MODELS

<u>VOLTS</u>	<u>PH</u>	<u>HZ</u>	<u>TOTAL AMPS</u>	<u>TYPICAL ELECTRICAL CIRCUIT</u>
208	3	50	13 A	20 AMP
220	3	50	13 A	20 AMP
230	3	50	13 A	20 AMP
380	3	50	6 A	15 AMP
415	3	50	7 A	15 AMP
440	3	50	6 A	15 AMP
208	1	60	11 A	15 AMP
230	1	60	11 A	15 AMP
200	3	60	7 A	15 AMP
208	3	60	7 A	15 AMP
230	3	60	7 A	15 AMP
380	3	60	6 A	15 AMP
460	3	60	4 A	15 AMP
600	3	60	4 A	15 AMP

AJ-66CS/CSL MODELS

<u>VOLTS</u>	<u>PH</u>	<u>HZ</u>	<u>TOTAL AMPS</u>	<u>TYPICAL ELECTRICAL CIRCUIT</u>
208	3	50	17 A	25 AMP
220	3	50	17 A	25 AMP
230	3	50	17 A	25 AMP
380	3	50	6A	15 AMP
415	3	50	7 A	15 AMP
440	3	50	6 A	15 AMP
208	1	60	18 A	25 AMP
230	1	60	18 A	25 AMP
200	3	60	12 A	15 AMP
208	3	60	12 A	15 AMP
230	3	60	12 A	15 AMP
380	3	60	12 A	15 AMP
460	3	60	7 A	15 AMP
600	3	60	7 A	15 AMP

SECTION 1: SPECIFICATION INFORMATION

ELECTRICAL REQUIREMENTS (CONTINUED)/D226 STEAM BOOSTER PARAMETERS

AJ-80CE/CEL MODELS

<u>VOLTS</u>	<u>PH</u>	<u>HZ</u>	<u>TOTAL AMPS</u>	<u>TYPICAL ELECTRICAL CIRCUIT</u>
208	3	50	68 A	90 AMP
220	3	50	62 A	80 AMP
230	3	50	63 A	80 AMP
380	3	50	34 A	45 AMP
415	3	50	25 A	35 AMP
440	3	50	22 A	30 AMP
208	1	60	91 A	125 AMP
230	1	60	84 A	110 AMP
200	3	60	53 A	70 AMP
208	3	60	54 A	70 AMP
230	3	60	50 A	70 AMP
380	3	60	34 A	45 AMP
460	3	60	25 A	35 AMP
600	3	60	22 A	30 AMP

AJ-80CS/CSL MODELS

<u>VOLTS</u>	<u>PH</u>	<u>HZ</u>	<u>TOTAL AMPS</u>	<u>TYPICAL ELECTRICAL CIRCUIT</u>
208	3	50	19 A	25 AMP
220	3	50	19 A	25 AMP
230	3	50	19 A	25 AMP
380	3	50	7 A	15 AMP
415	3	50	8 A	15 AMP
440	3	50	8 A	15 AMP
208	1	60	19 A	25 AMP
230	1	60	19 A	25 AMP
200	3	60	13 A	20 AMP
208	3	60	13 A	20 AMP
230	3	60	13 A	20 AMP
380	3	60	13 A	20 AMP
460	3	60	7 A	15 AMP
600	3	60	8 A	15 AMP

NOTE: Always refer to the machine data plate for specific electrical and water requirements. The material provided on this page is for reference only and may be subject to change without notice.

D226 STEAM BOOSTER

ELECTRICAL REQUIREMENTS:

VOLTAGE (V)	200-230
FREQUENCY (HZ)	50/60
PHASE	SINGLE

WATER REQUIREMENTS:

INCOMING WATER TEMPERATURE (MINIMUM)	110°F
FLOW PRESSURE (PSI)	20±5

STEAM REQUIREMENTS:

INCOMING STEAM PRESSURE (PSIG)	15-25
--------------------------------	-------

HEAT EXCHANGER SPECIFICATIONS:*

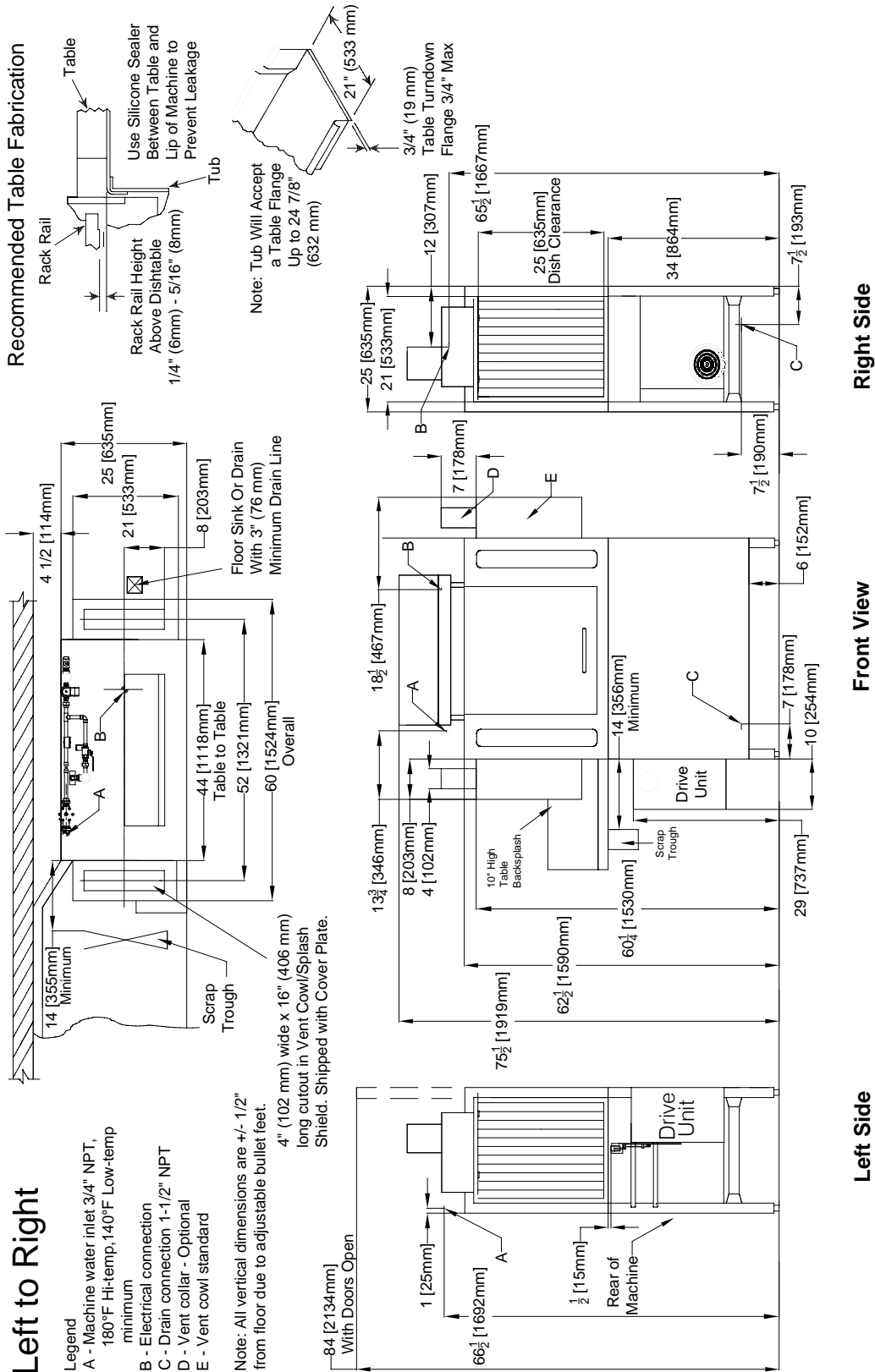
TUBESIDE WORKING PRESSURE (PSI)	125
SHELLSIDE WORKING PRESSURE (PSI)	125
TUBESIDE HYDROSTATIC TEST PRESSURE (PSI)	250
SHELLSIDE HYDROSTATIC TEST PRESSURE (PSI)	188
MAXIMUM OPERATING TEMPERATURE	295°F
MAXIMUM SHELLSIDE STEAM PRESSURE (PSI)	125

* - Indicates typical design criteria but is subject to change without notice. For more information, contact you authorized Jackson service representative.

STEAM RELIEF VALVE SET PRESSURE (PSI):	50
WATER OUTLET SAFETY VALVE SET PRESSURE (PSI):	125

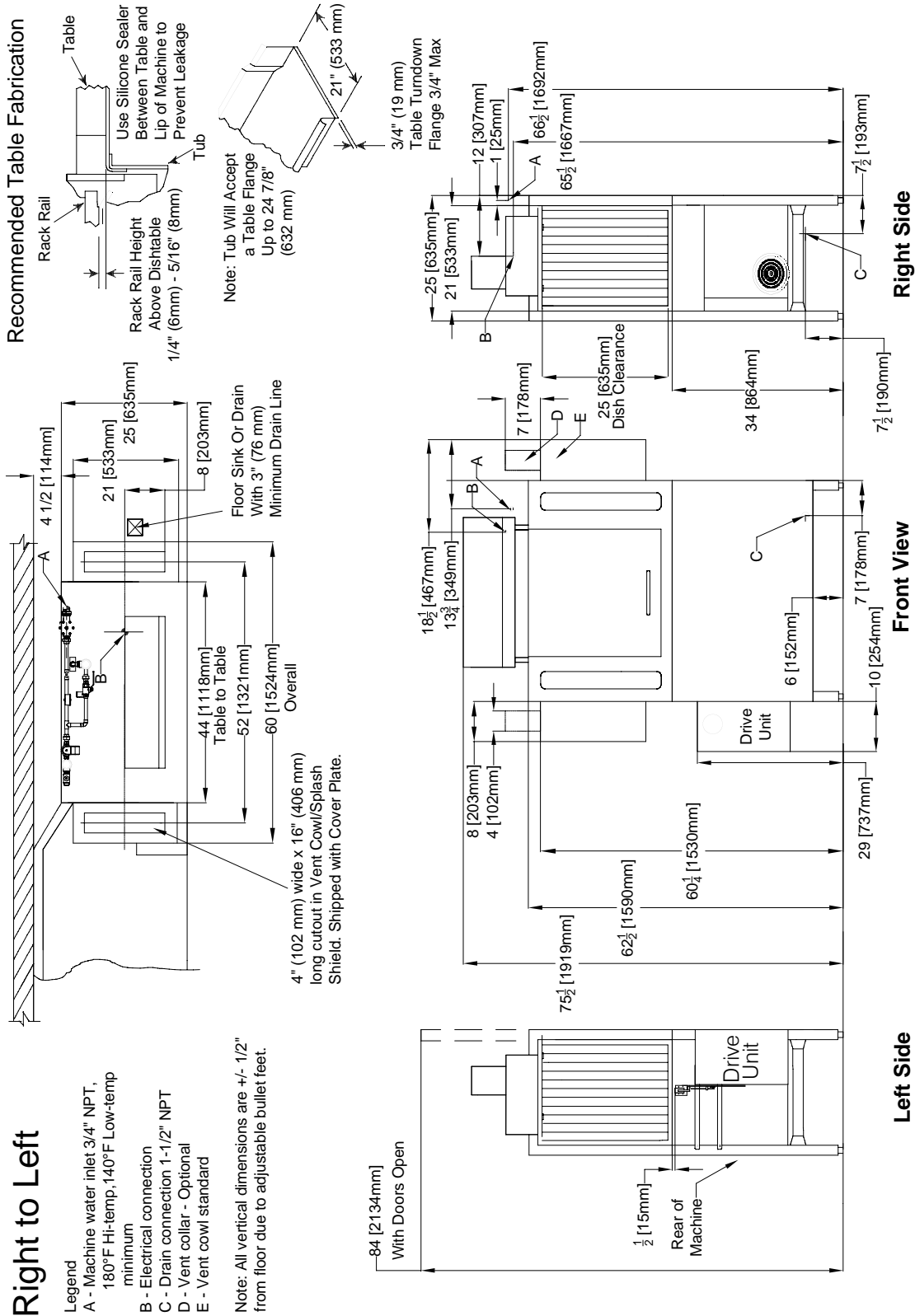
SECTION 1: SPECIFICATION INFORMATION

AJ-44 ELECTRIC - LEFT TO RIGHT



SECTION 1: SPECIFICATION INFORMATION

AJ-44 ELECTRIC - RIGHT TO LEFT



SECTION 1: SPECIFICATION INFORMATION

AJ-44 GAS - LEFT TO RIGHT

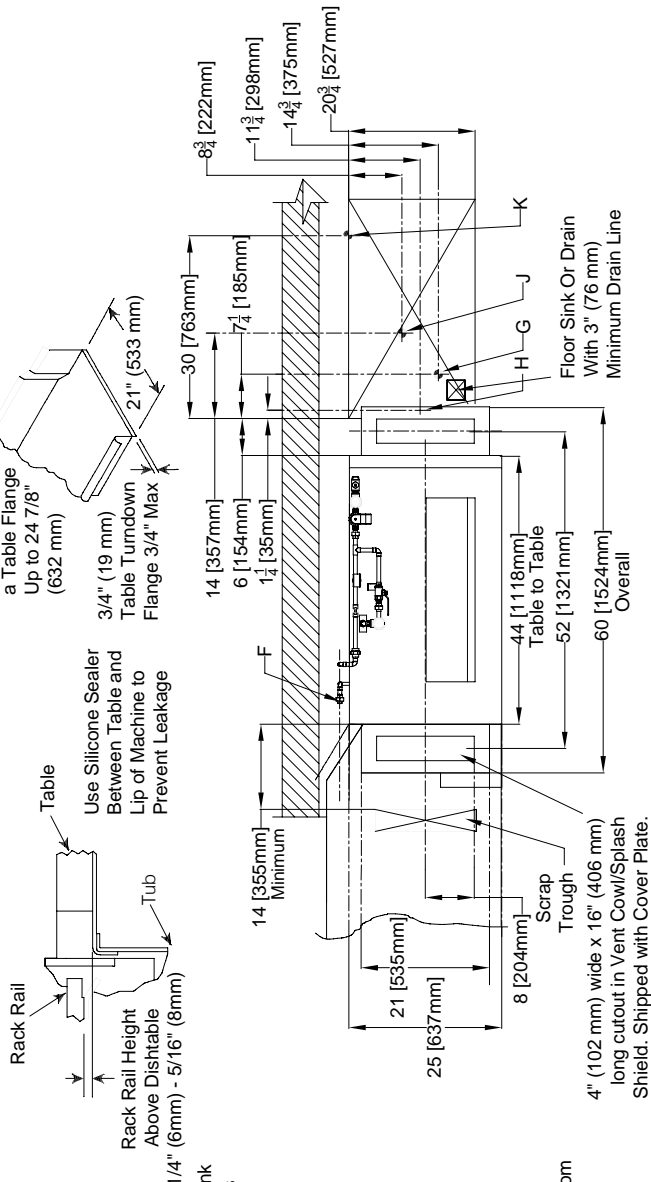
Left to Right

Legend to Drawing

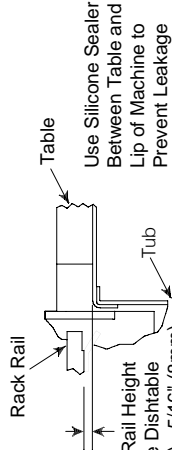
- A - Machine water inlet 3/4" NPT, 180°F Hi-temp, 140°F Low-temp minimum
- B - Electrical connection
- C - Drain connection 1-1/2" NPT
- D - Vent collar - Optional
- E - Vent cowl standard
- F - 3/4" NPT 180°F Water Inlet for wash tank fill, final rinse, & tank heating. From gas booster heater. Interconnecting hose provided by manufacturer.
- G - 3/4" NPT 140°F Water Inlet for gas booster heater.
- H - 3/4" NPT 180°F Water Outlet connection to line on dishmachine. Connection hose provided by manufacturer.
- J - 3/4" NPT Gas Connection
- K - 4" OD Vent pipe connection. Flue to be installed to meet local codes by installing contractor.

Note: All vertical dimensions are +/- 1/2" from floor due to adjustable bullet feet.

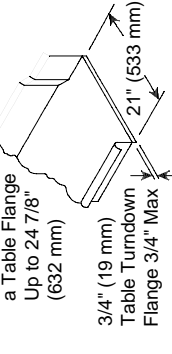
Recommended Table Fabrication



Note: Tub Will Accept a Table Flange Up to 24 7/8" (632 mm)



Note: Tub Will Accept a Table Flange Up to 24 7/8" (632 mm)



Note: Tub Will Accept a Table Flange Up to 24 7/8" (632 mm)



Left Side

Front View

Right Side

SECTION 1: SPECIFICATION INFORMATION

AJ-44 GAS - RIGHT TO LEFT

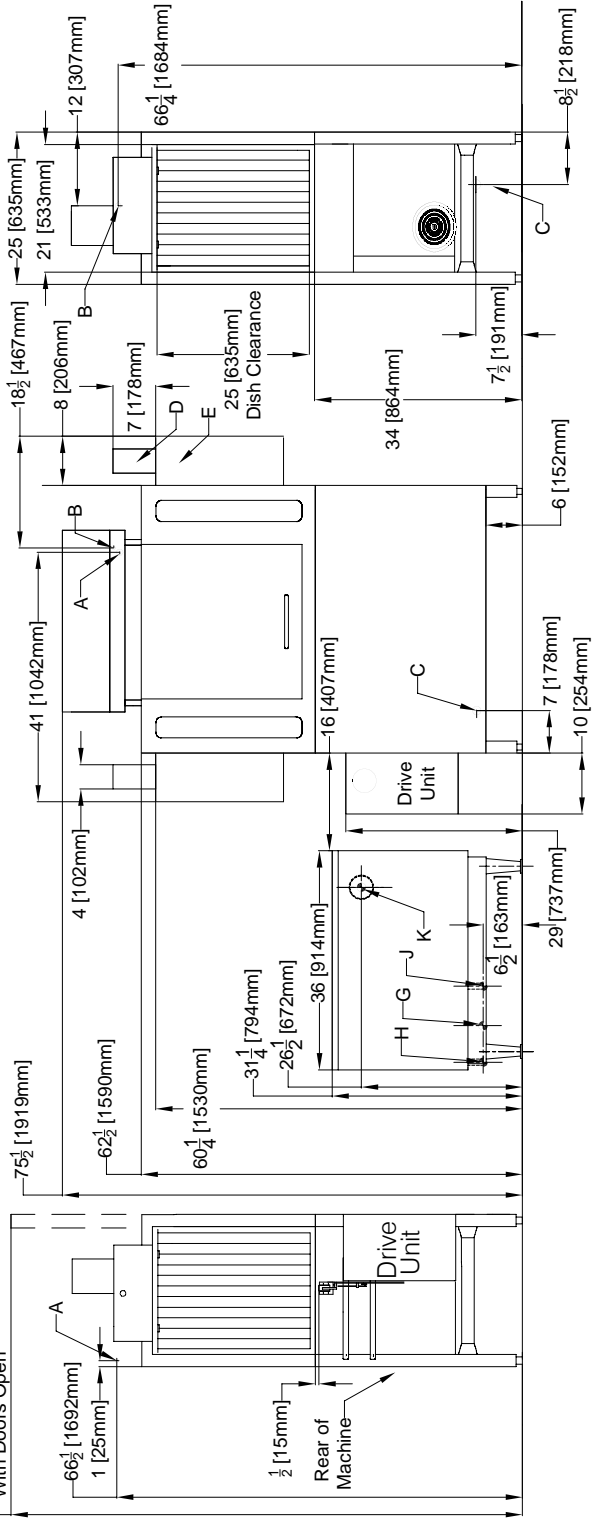
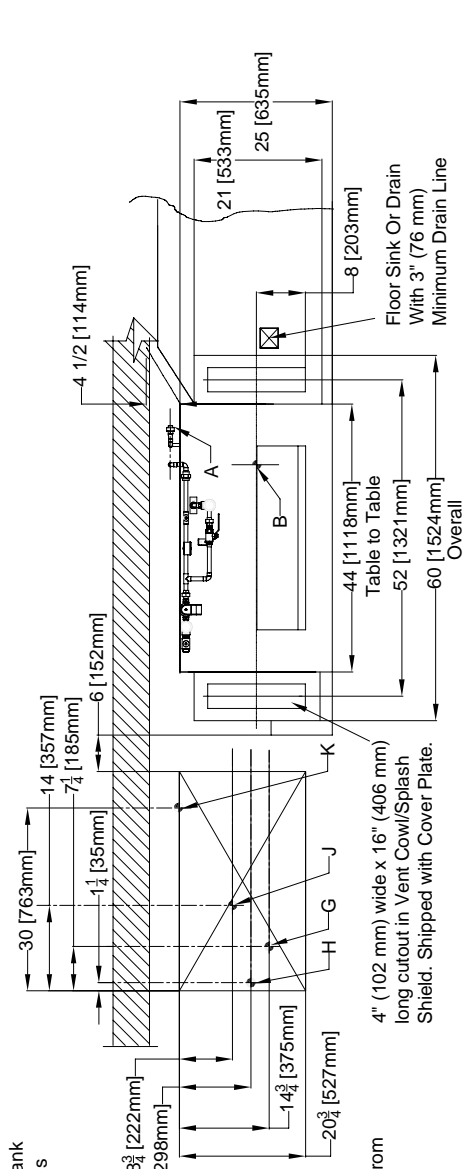
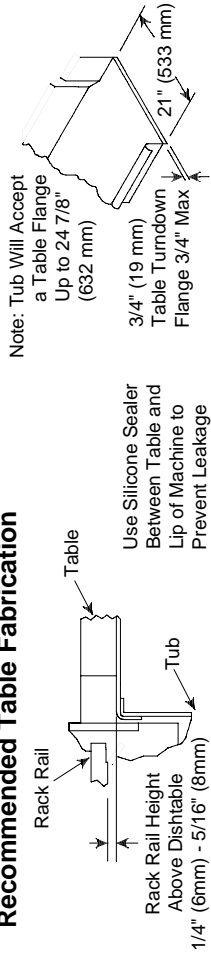
Right to Left

Legend to Drawing

- A - Machine water inlet 3/4" NPT, 180°F Hi-temp, 140°F Low-temp minimum
- B - Electrical connection
- C - Drain connection 1-1/2" NPT
- D - Vent collar - Optional
- E - Vent cowl standard
- F - 3/4" NPT 180°F Water Inlet for wash tank fill, final rinse, & tank heating. From gas booster heater. Interconnecting hose provided by manufacturer.
- G - 3/4" NPT 140°F Water inlet for gas booster heater.
- H - 3/4" NPT 180°F Water Outlet connection to line on dishmachine. Connection hose provided by manufacturer.
- J - 3/4" NPT Gas Connection
- K - 4" OD Vent pipe connection. Flue to be installed to meet local codes by installing contractor.

Note: All vertical dimensions are +/- 1/2" from floor due to adjustable bullet feet.

Recommended Table Fabrication



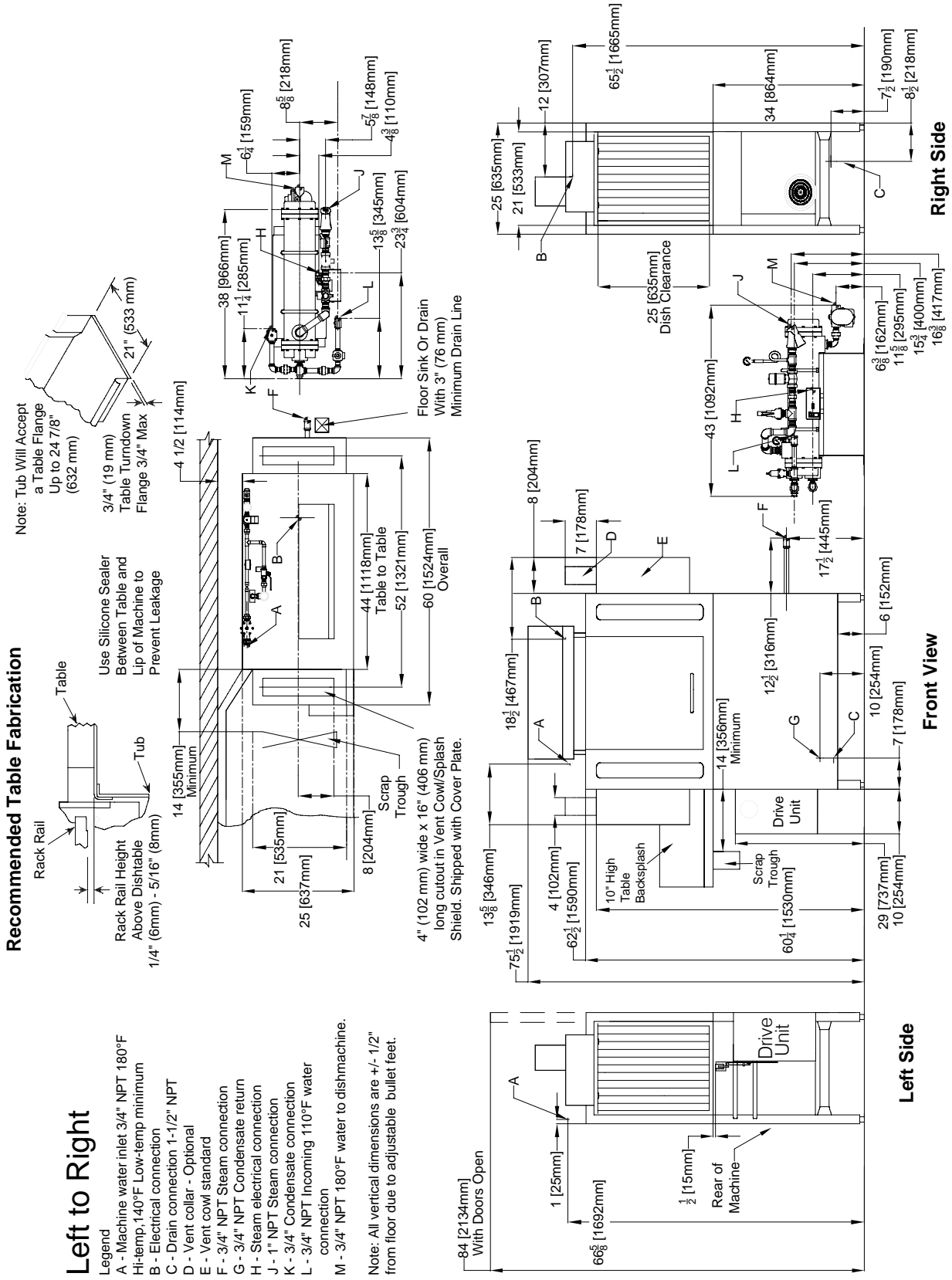
Left Side

Front View

Right Side

SECTION 1: SPECIFICATION INFORMATION

AJ-44 STEAM - LEFT TO RIGHT



SECTION 1: SPECIFICATION INFORMATION

AJ-44 STEAM - RIGHT TO LEFT

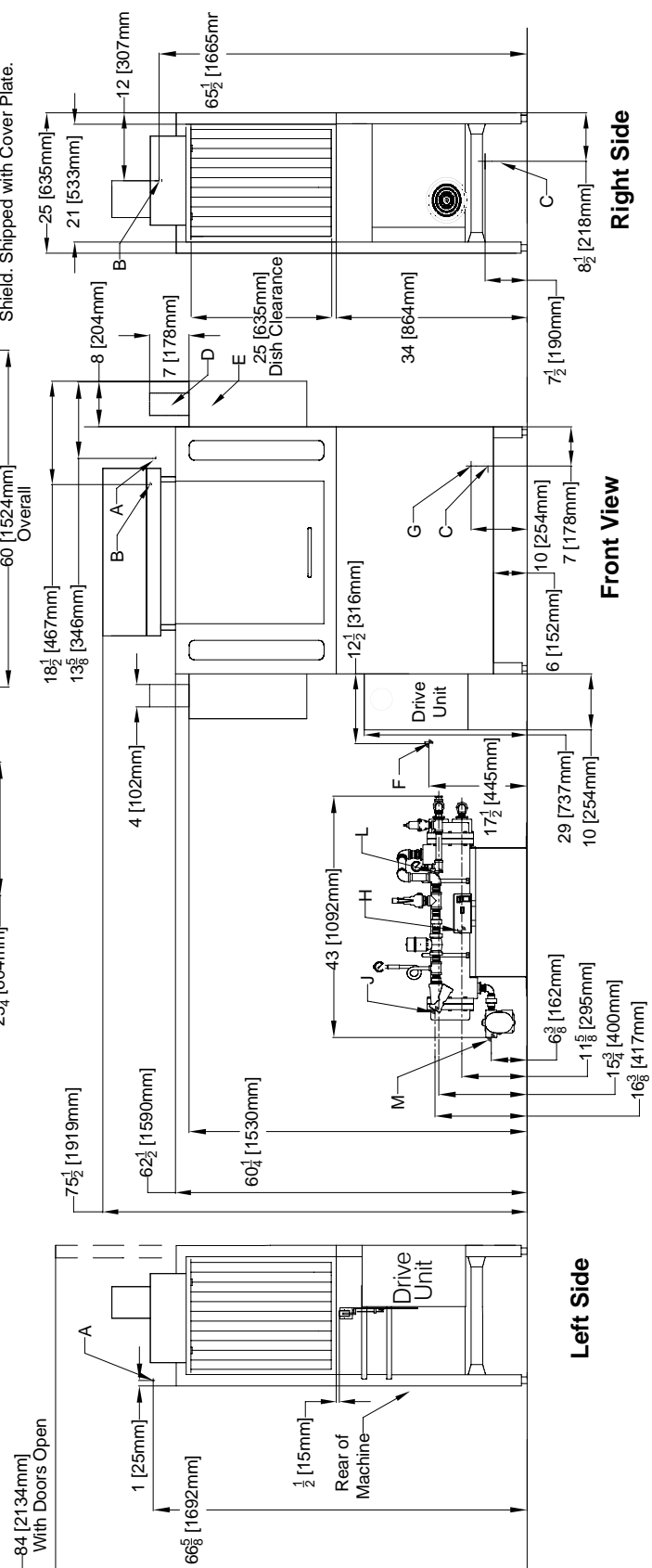
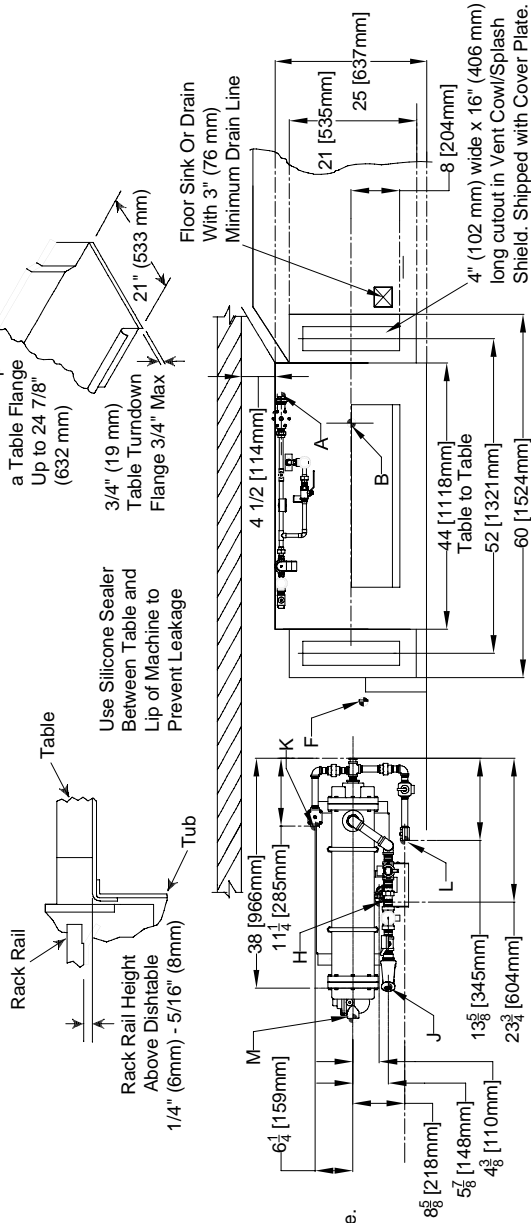
Right to Left

Legend

- A - Machine water inlet 3/4" NPT 180°F Hi-temp, 140°F Low-temp minimum
- B - Electrical connection
- C - Drain connection 1-1/2" NPT
- D - Vent collar - Optional
- E - Vent cowl standard
- F - 3/4" NPT Steam connection
- G - 3/4" NPT Condensate return
- H - Steam electrical connection
- J - 1" NPT Steam connection
- K - 3/4" Condensate connection
- L - 3/4" NPT Incoming 110°F water connection
- M - 3/4" NPT 180°F water to dishmachine.

Note: All vertical dimensions are +/- 1/2" from floor due to adjustable bullet feet.

Recommended Table Fabrication



SECTION 1: SPECIFICATION INFORMATION

AJ-66 ELECTRIC - LEFT TO RIGHT

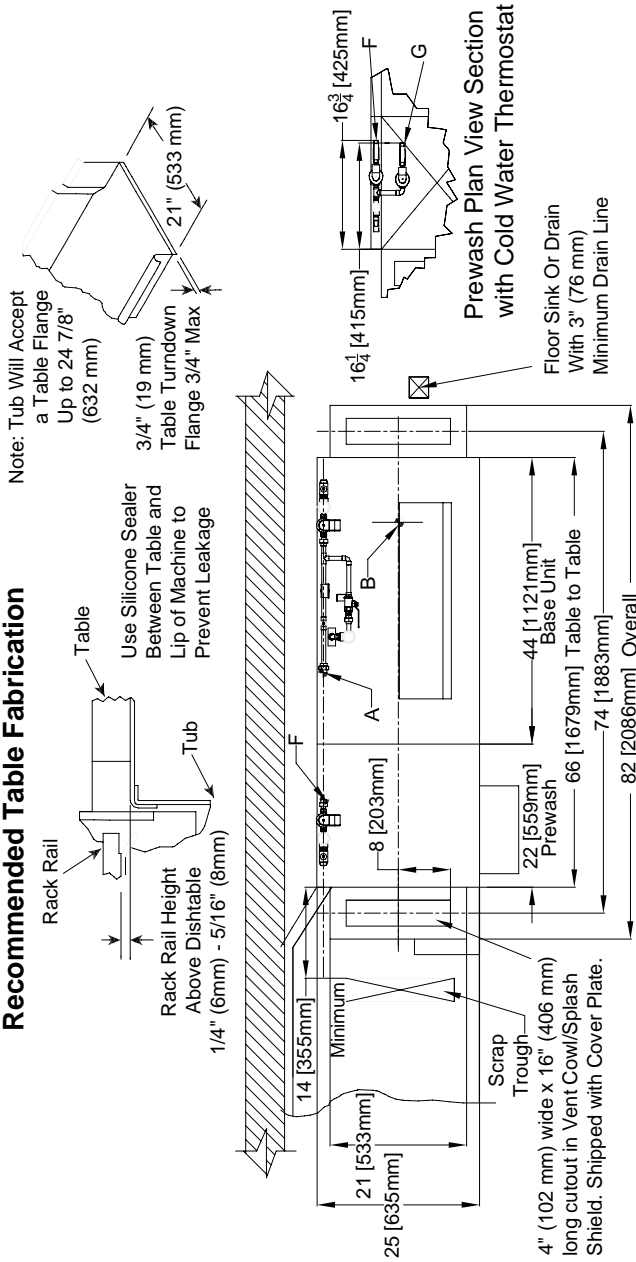
Left to Right

Legend

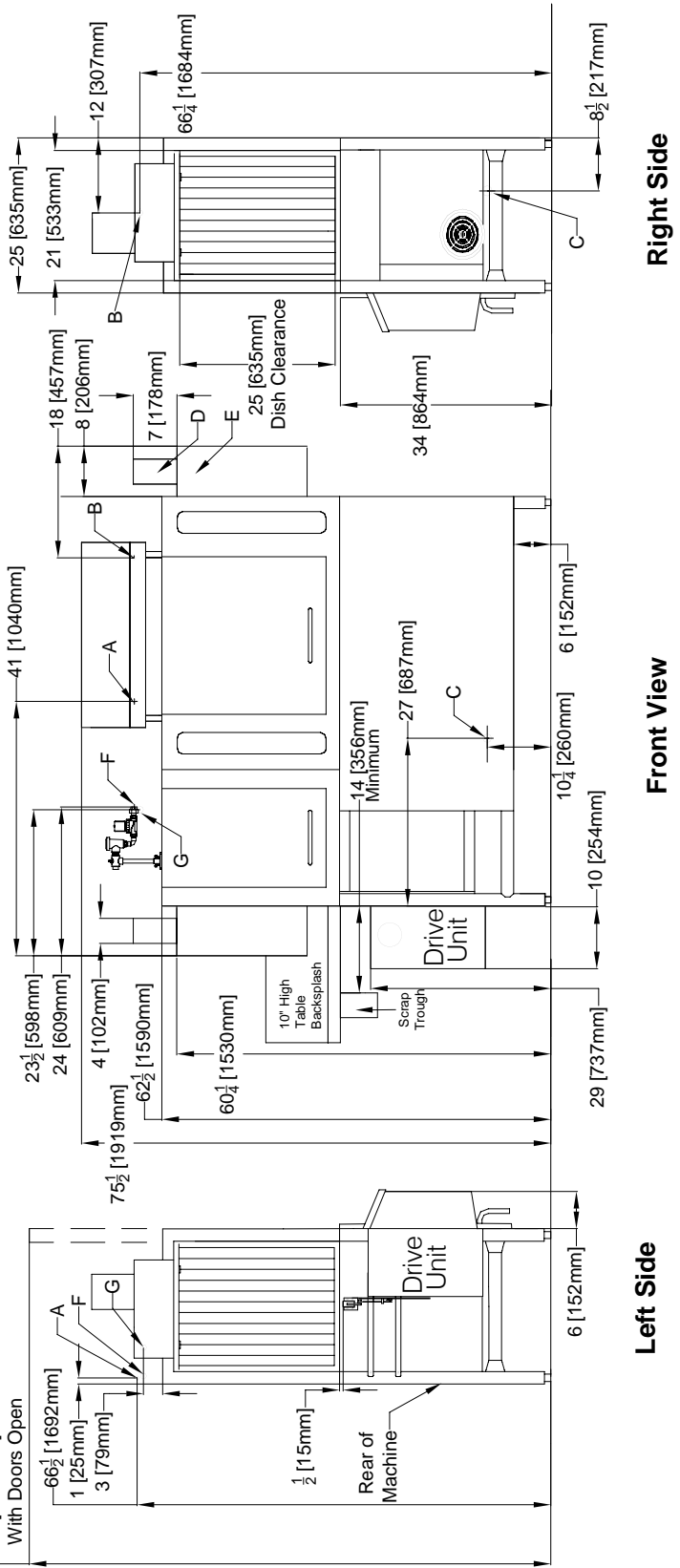
- A - Machine water inlet 3/4" NPT, 180°F Hi-temp, 140°F Low-temp minimum
- B - Electrical connection
- C - Drain connection 1-1/2" NPT
- D - Vent collar - Optional
- E - Vent cowl standard
- F - Prewash water inlet 3/4" NPT 110°F-140°F
- G - Cold water thermostat plumbing connection 3/4" NPT - Optional

Note: All vertical dimensions are +/- 1/2" from floor due to adjustable bullet feet.

Recommended Table Fabrication



Note: Tub Will Accept a Table Flange Up to 24 7/8" (632 mm)



SECTION 1: SPECIFICATION INFORMATION

AJ-66 ELECTRIC - RIGHT TO LEFT

Right to Left

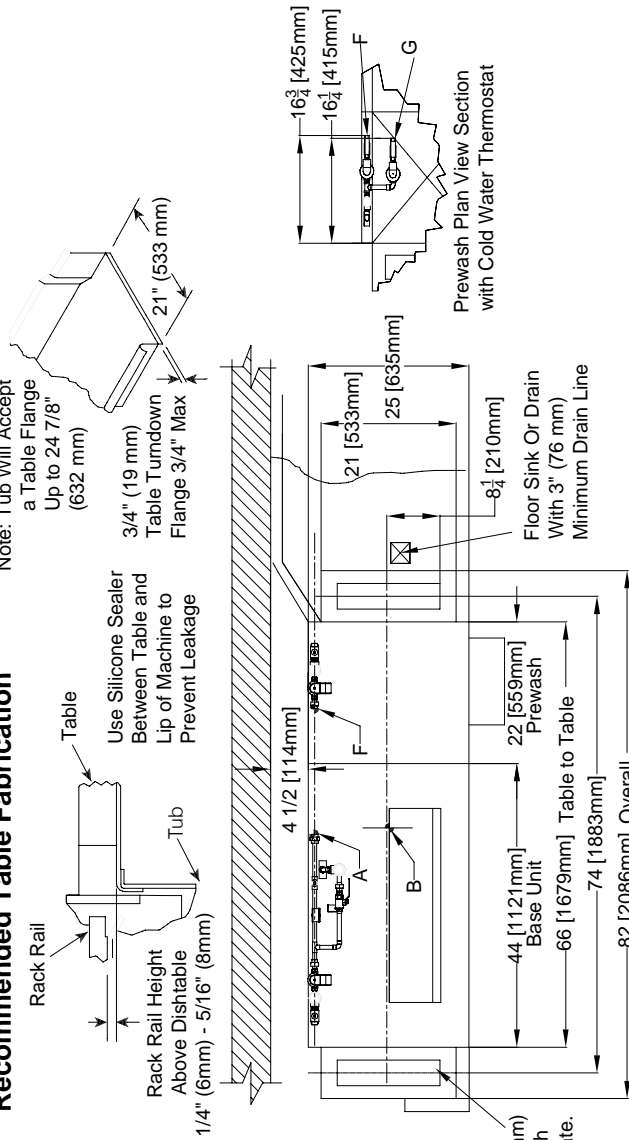
Legend

- A - Machine water inlet 3/4" NPT, 180°F Hi-temp, 140°F Low-temp minimum
- B - Electrical connection
- C - Drain connection 1-1/2" NPT
- D - Vent collar - Optional
- E - Vent cowl standard
- F - Prewash water inlet 3/4" NPT 110°F-140°F
- G - Cold water thermostat plumbing connection 3/4" NPT - Optional

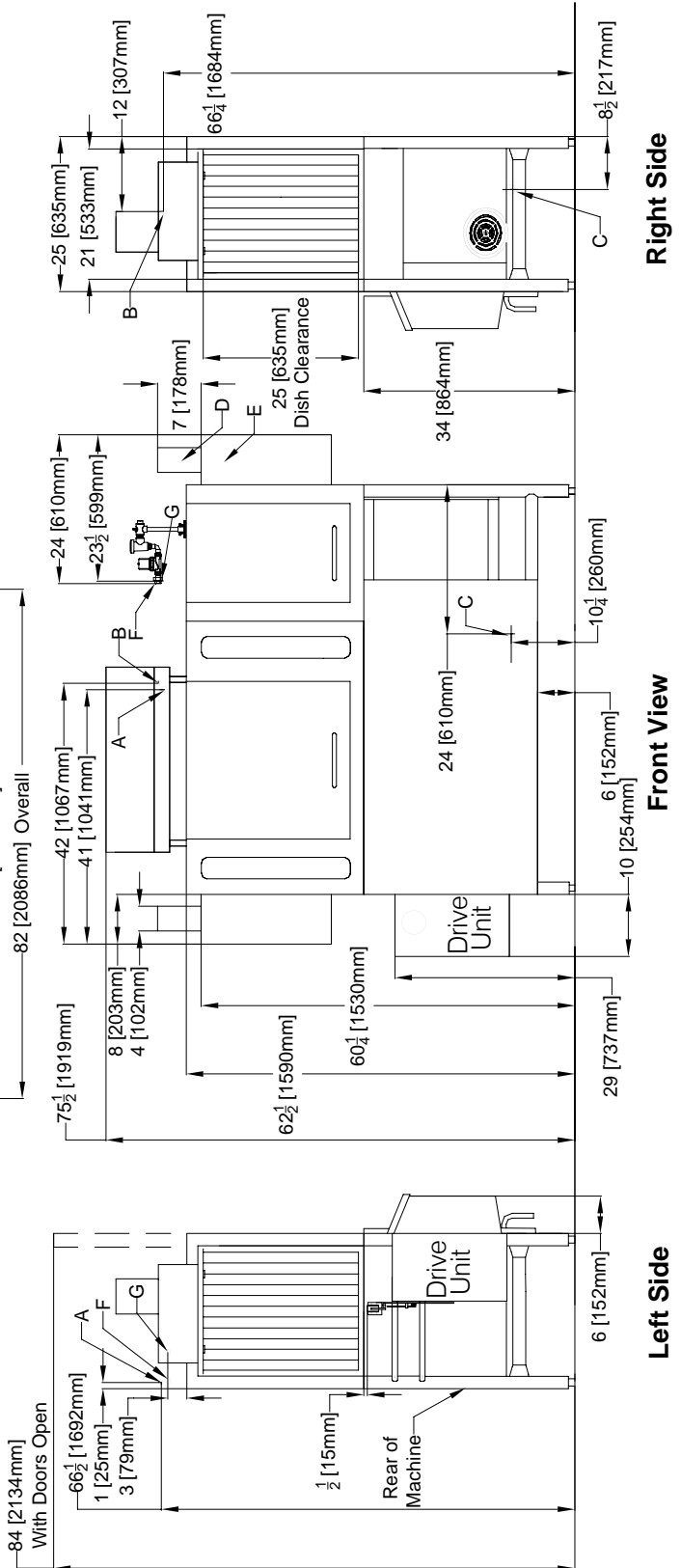
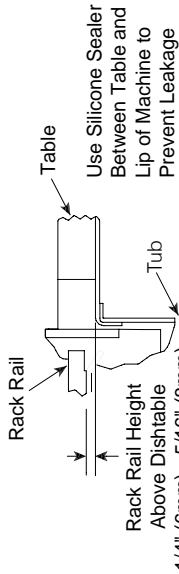
Note: All vertical dimensions are +/- 1/2" from floor due to adjustable bullet feet.

4" (102 mm) wide x 16" (406 mm) long cutout in Vent Cowl/Splash Shield. Shipped with Cover Plate.

Recommended Table Fabrication



Note: Tub Will Accept a Table Flange Up to 24 7/8" (632 mm)



SECTION 1: SPECIFICATION INFORMATION

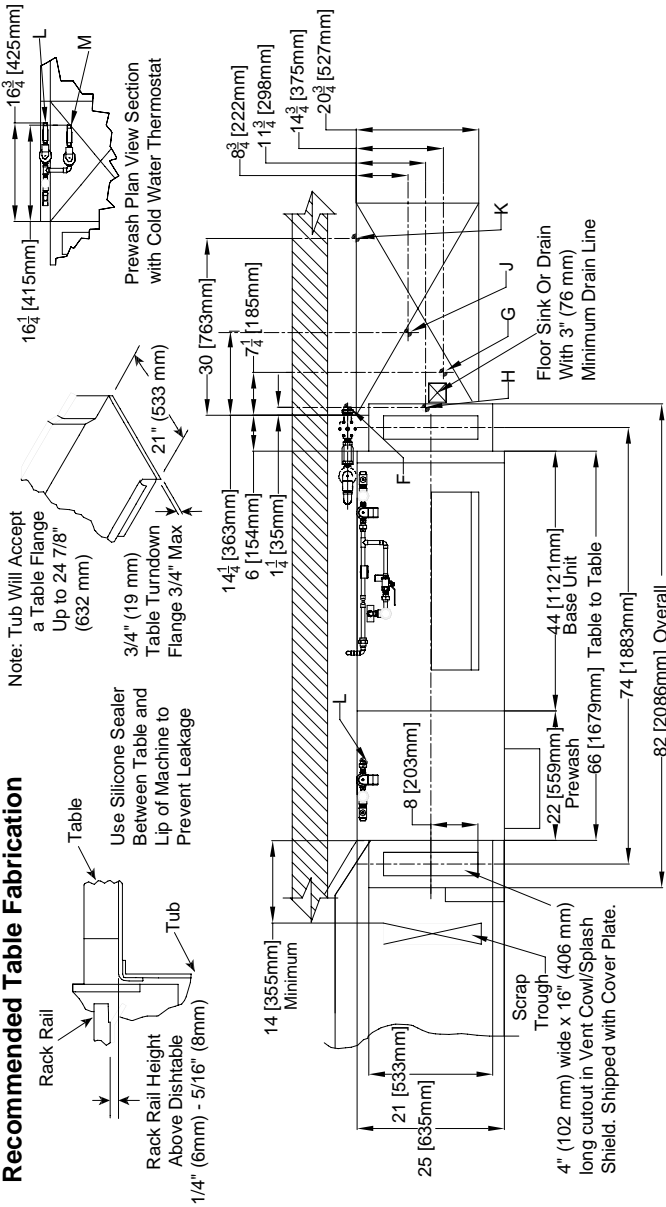
AJ-66 GAS - LEFT TO RIGHT

Left to Right

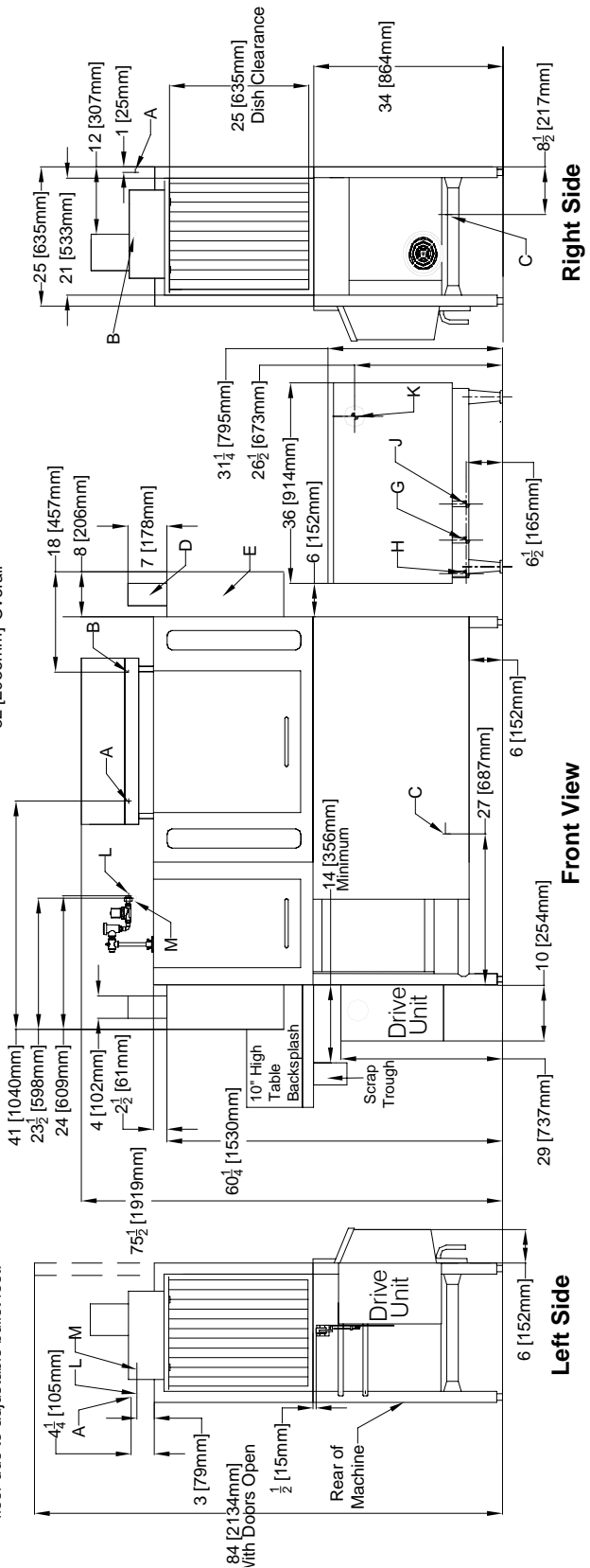
Legend

- A - Machine water inlet 3/4" NPT, 180°F Hi-temp, 140°F Low-temp minimum
- B - Electrical connection
- C - Drain connection 1-1/2" NPT
- D - Vent collar - Optional
- E - Vent cowl standard
- F - 3/4" NPT 180°F Water Inlet for wash tank fill, final rinse, & tank heating. From gas booster heater. Interconnecting hose provided by manufacturer.
- G - 3/4" NPT 140°F Water inlet for gas booster heater.
- H - 3/4" NPT 180°F Water Outlet connection to line on dishmachine. Connection hose provided by manufacturer.
- J - 3/4" NPT Gas Connection
- K - 4" OD Vent pipe connection. Flue to be installed to meet local codes by installing contractor.
- L - Prewash water inlet 3/4" NPT 110°F-140°F
- M - Cold water thermostat plumbing connection 3/4" NPT - Optional

Recommended Table Fabrication



Note: All vertical dimensions are +/- 1/2" from floor due to adjustable bullet feet.



SECTION 1: SPECIFICATION INFORMATION

AJ-66 GAS - RIGHT TO LEFT

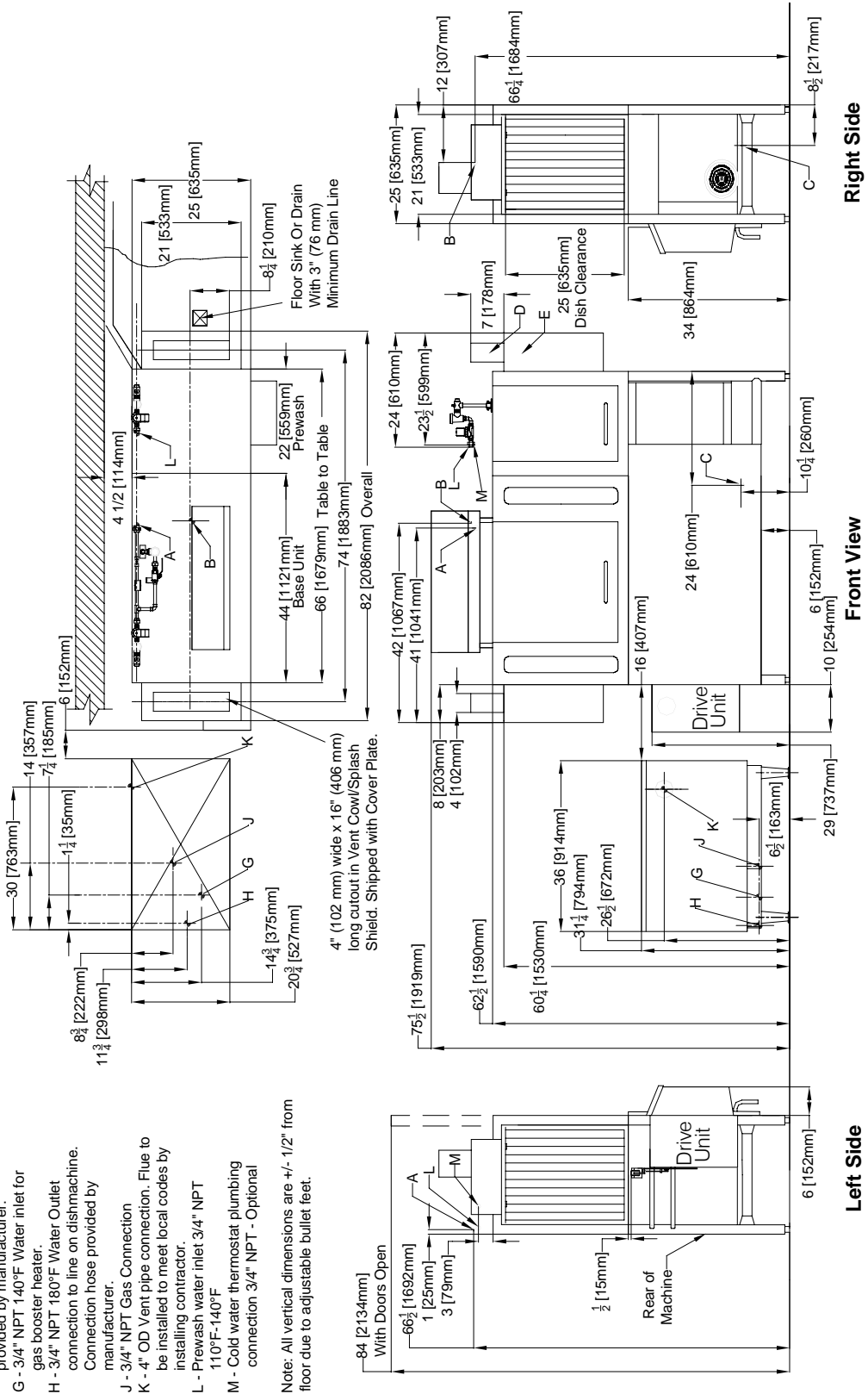
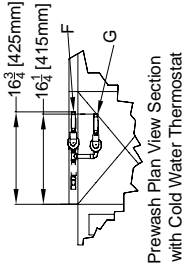
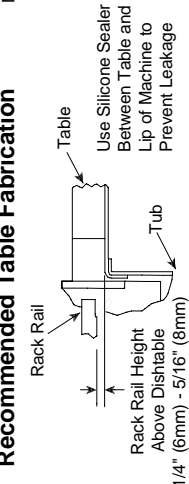
Left to Right

Legend

- A - Machine water inlet 3/4" NPT, 180°F Hi-temp, 140°F Low-temp minimum
- B - Electrical connection
- C - Drain connection 1-1/2" NPT
- D - Vent collar - Optional
- E - Vent cowl standard
- F - 3/4" NPT 180°F Water Inlet for wash tank fill, final rinse, & tank heating. From gas booster heater. Interconnecting hose provided by manufacturer.
- G - 3/4" NPT 140°F Water inlet for gas booster heater.
- H - 3/4" NPT 180°F Water Outlet connection to line on dishmachine. Connection hose provided by manufacturer.
- J - 3/4" NPT Gas Connection
- K - 4" OD Vent pipe connection. Flue to be installed to meet local codes by installing contractor.
- L - Prewash water inlet 3/4" NPT 110°F-140°F
- M - Cold water thermostat plumbing connection 3/4" NPT - Optional

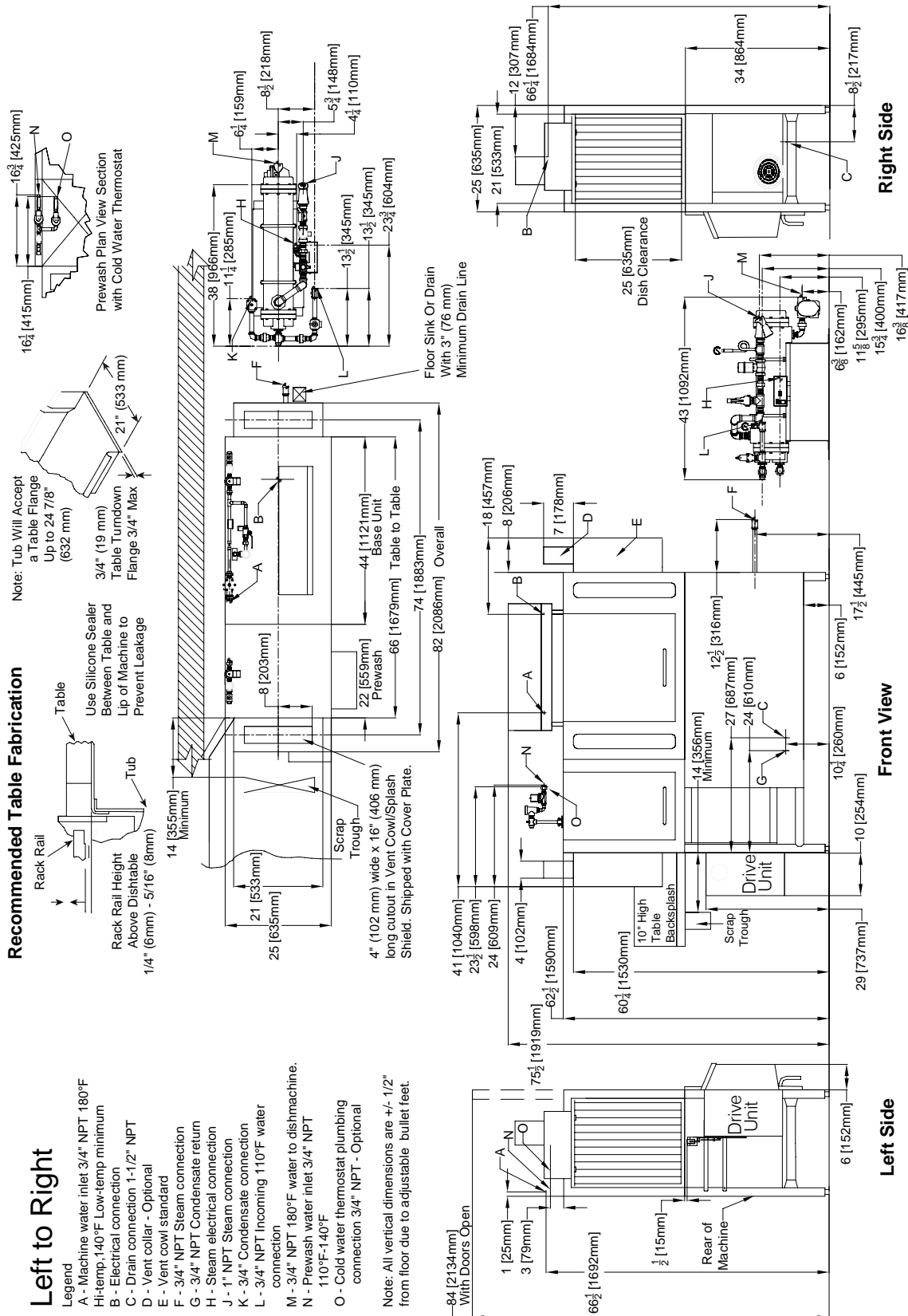
Note: All vertical dimensions are +/- 1/2" from floor due to adjustable bullet feet.

Recommended Table Fabrication



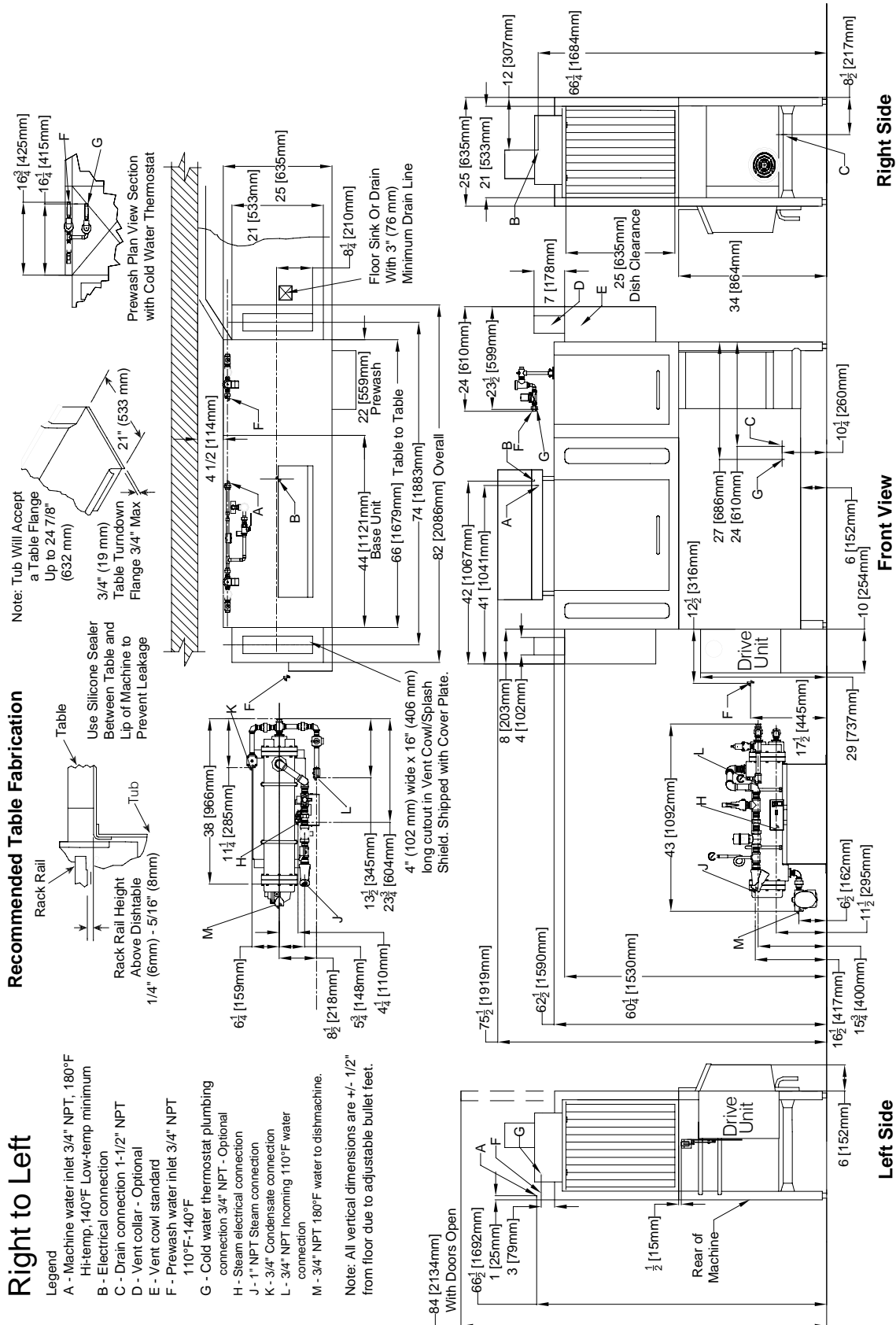
SECTION 1: SPECIFICATION INFORMATION

AJ-66 STEAM - LEFT TO RIGHT



SECTION 1: SPECIFICATION INFORMATION

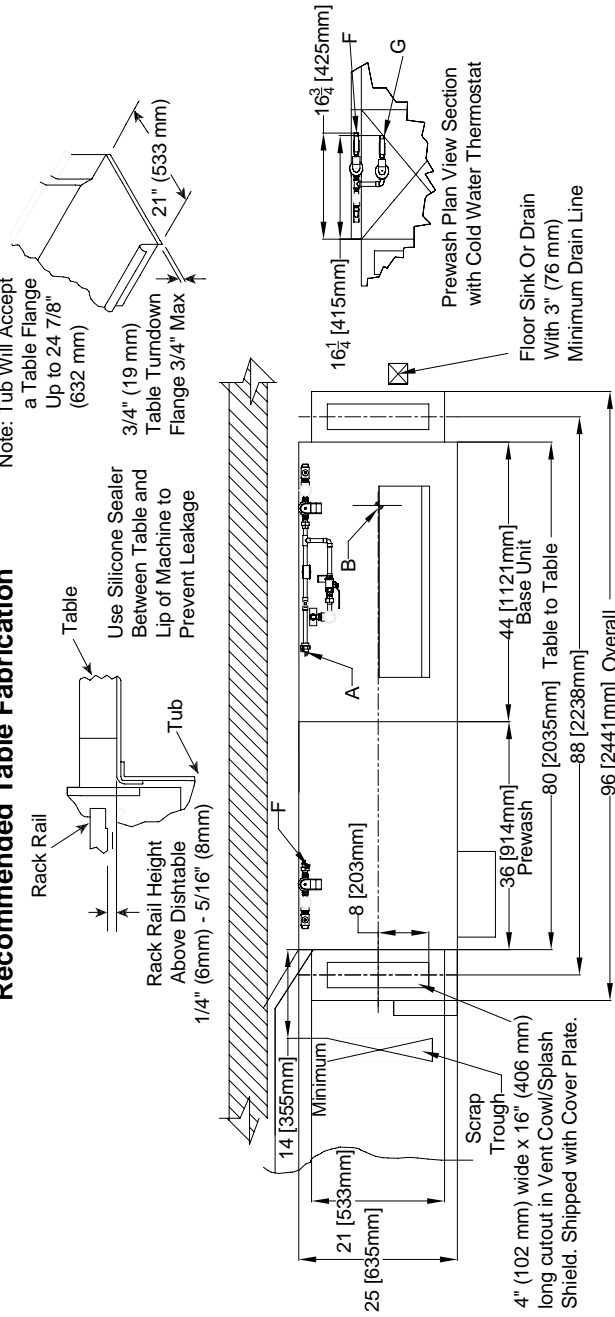
AJ-66 STEAM - RIGHT TO LEFT



SECTION 1: SPECIFICATION INFORMATION

AJ-80 ELECTRIC - LEFT TO RIGHT

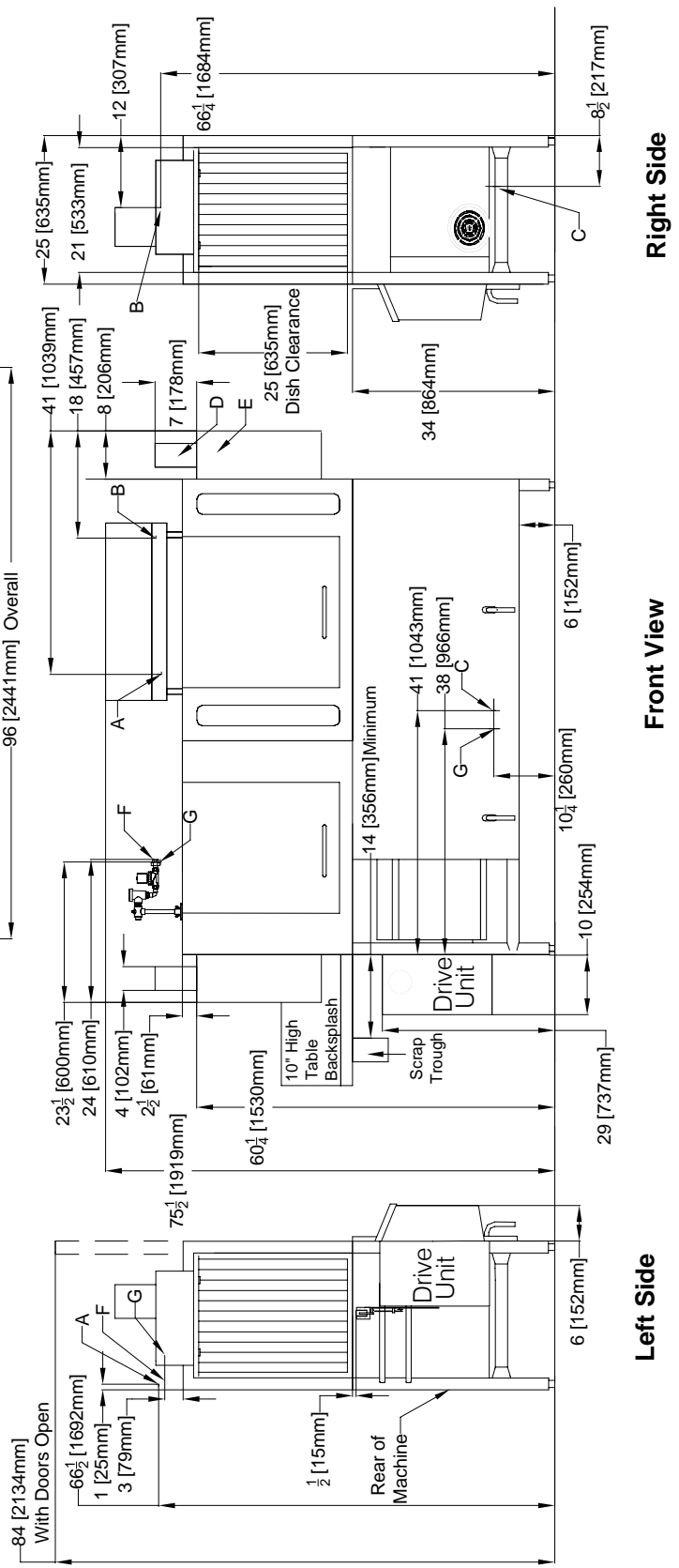
Recommended Table Fabrication



Left to Right

- Legend
- A - Machine water inlet 3/4" NPT, 180°F Hi-temp, 140°F Low-temp minimum
 - B - Electrical connection
 - C - Drain connection 1-1/2" NPT
 - D - Vent collar - Optional
 - E - Vent cowl standard
 - F - Prewash water inlet 3/4" NPT 110°F-140°F
 - G - Cold water thermostat plumbing connection 3/4" NPT - Optional

Note: All vertical dimensions are +/- 1/2" from floor due to adjustable bullet feet.



SECTION 1: SPECIFICATION INFORMATION

AJ-80 ELECTRIC - RIGHT TO LEFT

Right to Left

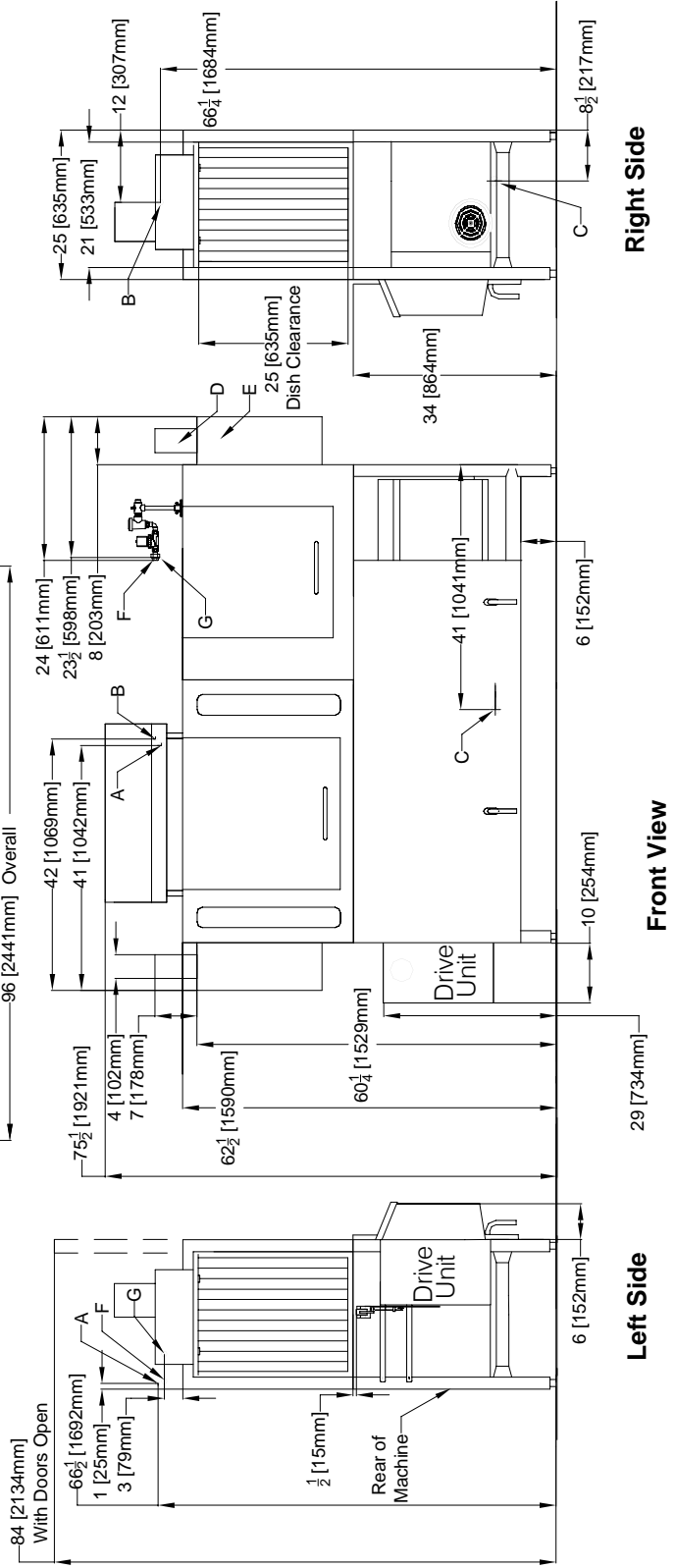
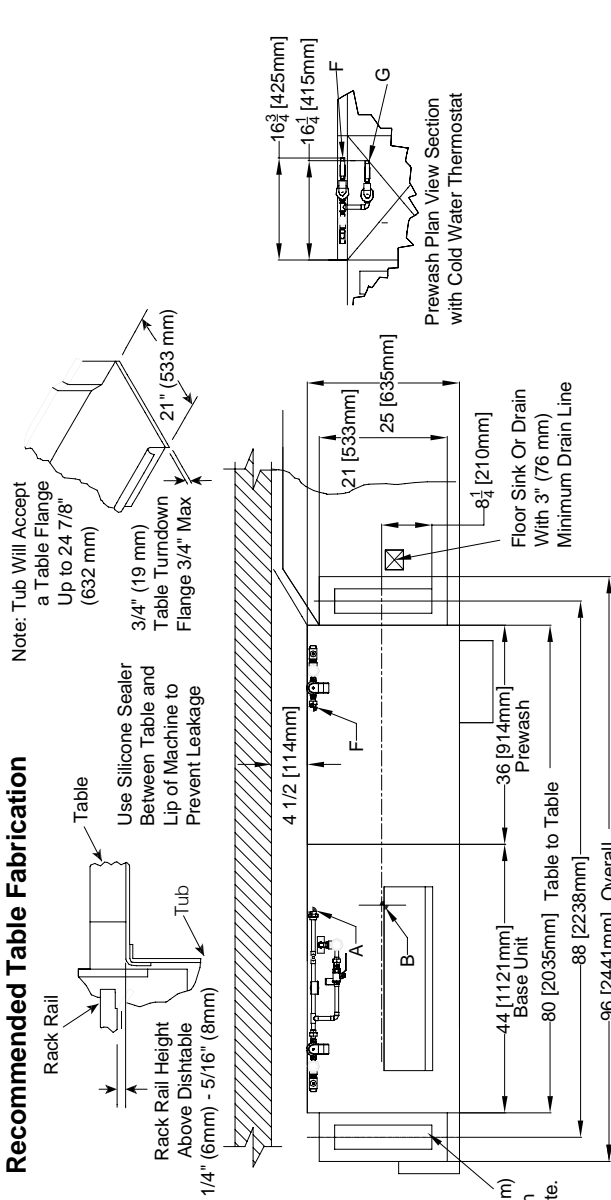
Legend

- A - Machine water inlet 3/4" NPT, 180°F Hi-temp, 140°F Low-temp minimum
- B - Electrical connection
- C - Drain connection 1-1/2" NPT
- D - Vent collar - Optional
- E - Vent cowl standard
- F - Prewash water inlet 3/4" NPT 110°F-140°F
- G - Cold water thermostat plumbing connection 3/4" NPT - Optional

Note: All vertical dimensions are +/- 1/2" from floor due to adjustable bullet feet.

4" (102 mm) wide x 16" (406 mm) long cutout in Vent Cowl/Splash Shield. Shipped with Cover Plate.

Recommended Table Fabrication



SECTION 1: SPECIFICATION INFORMATION

AJ-80 GAS - LEFT TO RIGHT

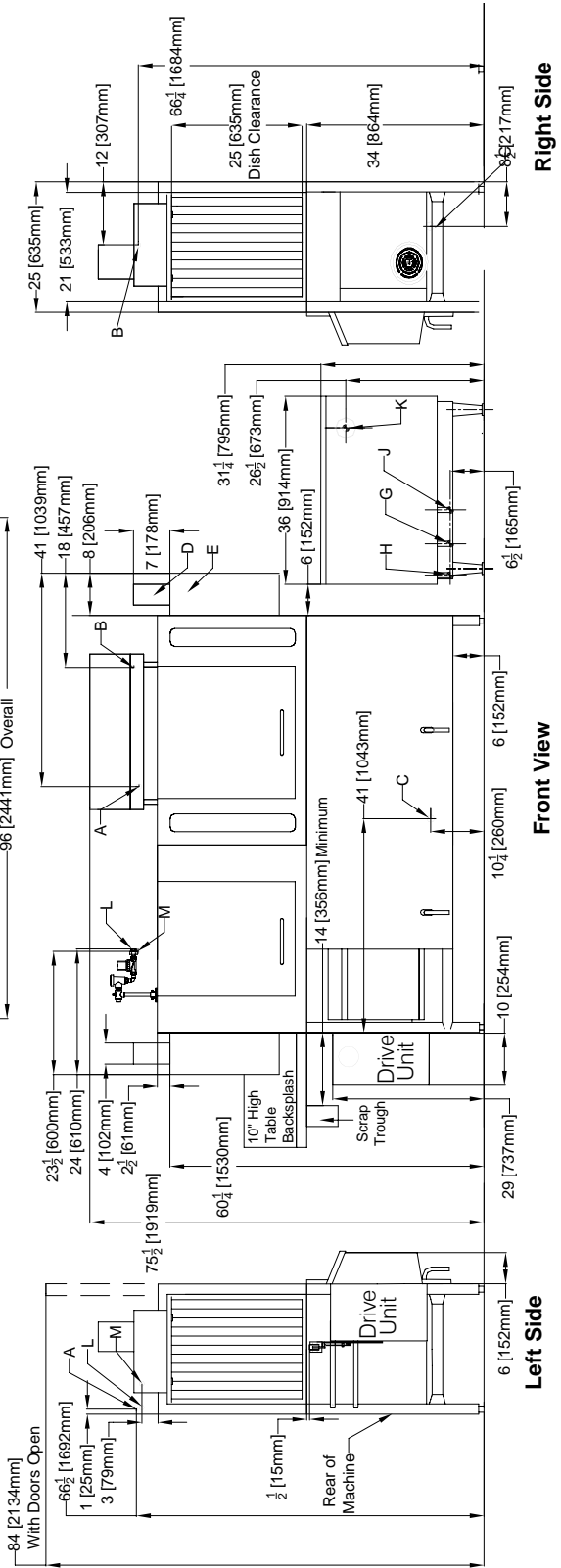
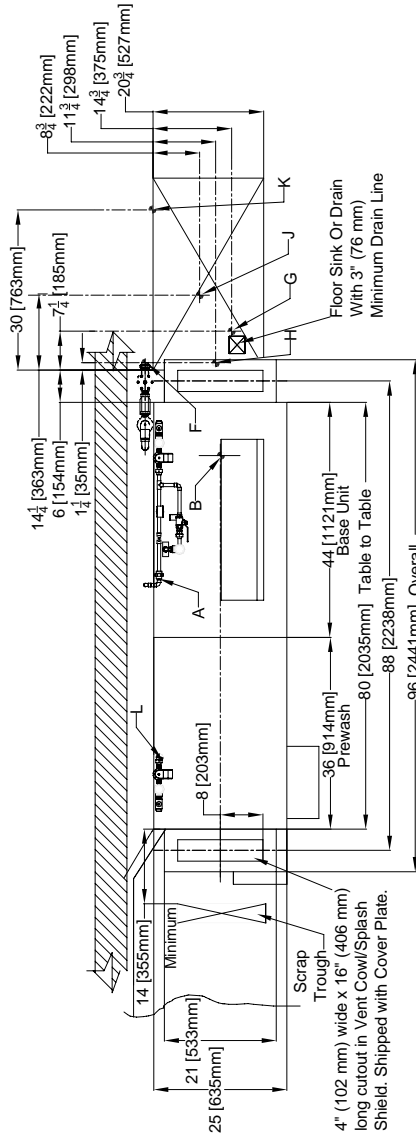
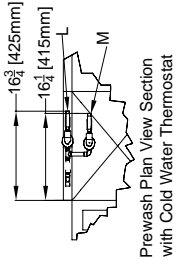
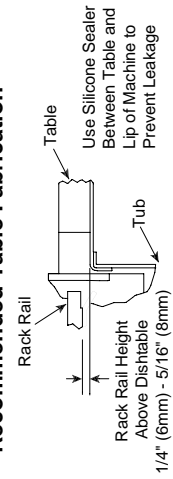
Left to Right

Legend

- A - Machine water inlet, 3/4" NPT, 180°F Hi-temp, 140°F Low-temp minimum
- B - Electrical connection
- C - Drain connection 1-1/2" NPT
- D - Vent collar - Optional
- E - Vent cowi standard
- F - 3/4" NPT 180°F Water Inlet for wash tank fill, final rinse, & tank heating. From gas booster heater. Interconnecting hose provided by manufacturer.
- G - 3/4" NPT 140°F Water Inlet for gas booster heater.
- H - 3/4" NPT 180°F Water Outlet connection to line on dishmachine. Connection hose provided by manufacturer.
- J - 3/4" NPT Gas Connection
- K - 4" OD Vent pipe connection. Flue to be installed to meet local codes by installing contractor.
- L - Prewash water inlet, 3/4" NPT 110°F-140°F
- M - Cold water thermostat plumbing connection, 3/4" NPT - Optional

Note: All vertical dimensions are +/- 1/2" from floor due to adjustable bullet feet.

Recommended Table Fabrication



SECTION 1: SPECIFICATION INFORMATION

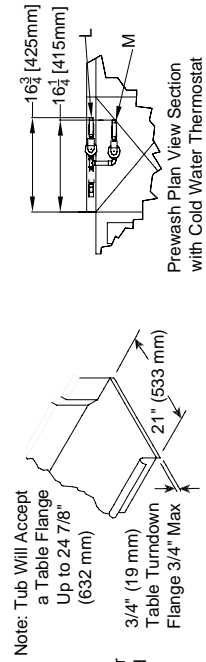
AJ-80 GAS - RIGHT TO LEFT

Right to Left

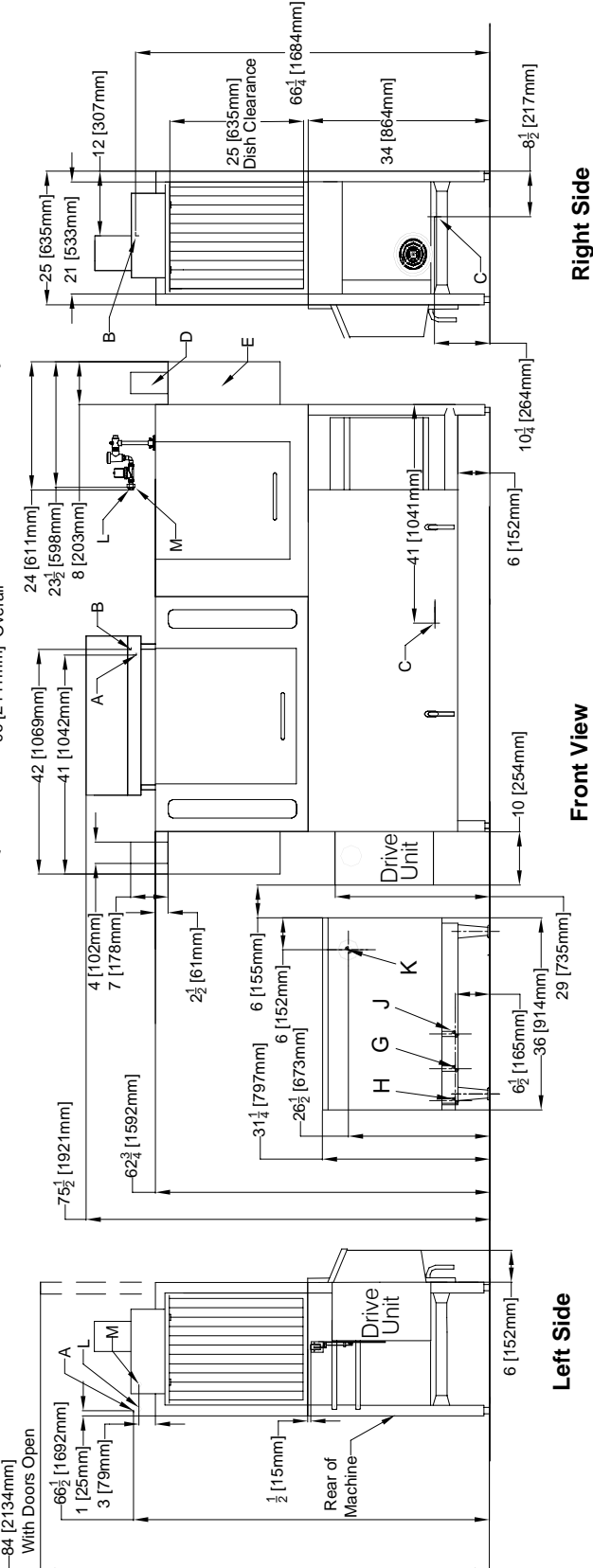
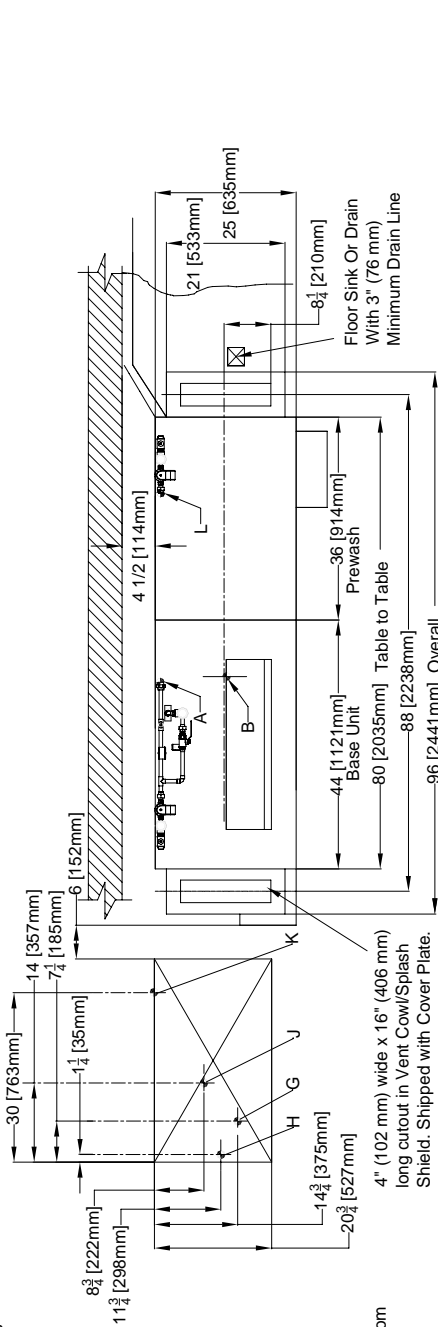
- Legend**
- A - Machine water inlet 3/4" NPT, 180°F Hi-temp, 140°F Low-temp minimum
 - B - Electrical connection
 - C - Drain connection 1-1/2" NPT
 - D - Vent collar - Optional
 - E - Vent cow standard
 - F - 3/4" NPT 180°F Water Inlet for wash tank fill, final rinse, & tank heating. From gas booster heater. Interconnecting hose provided by manufacturer.
 - G - 3/4" NPT 140°F Water inlet for gas booster heater.
 - H - 3/4" NPT 180°F Water Outlet connection to line on dishmachine.
 - I - Connection hose provided by manufacturer.
 - J - 3/4" NPT Gas Connection
 - K - 4" OD Vent pipe connection. Flue to be installed to meet local codes by installing contractor.
 - L - Prewash water inlet 3/4" NPT 110°F-140°F
 - M - Cold water thermostat plumbing connection 3/4" NPT - Optional

Note: All vertical dimensions are +/- 1/2" from floor due to adjustable bullet feet.

Recommended Table Fabrication



Prewash Plan View Section with Cold Water Thermostat



SECTION 1: SPECIFICATION INFORMATION

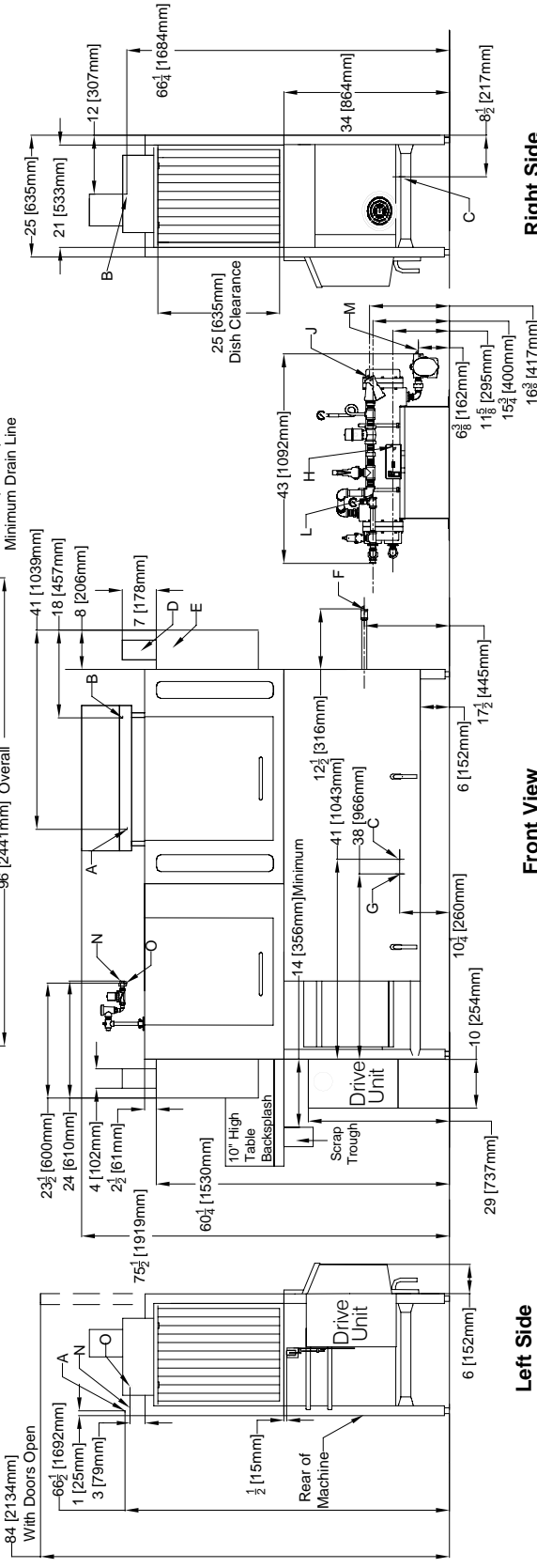
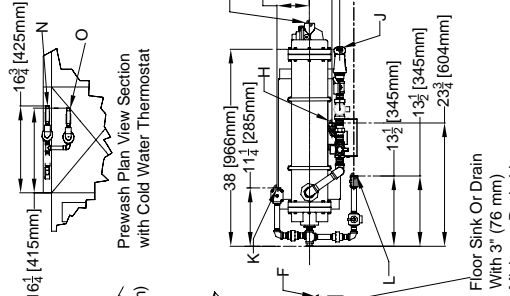
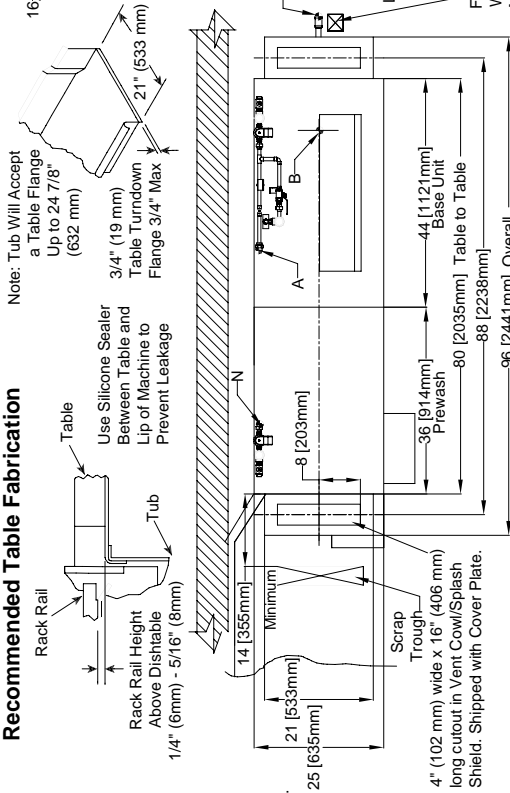
AJ-80 STEAM - LEFT TO RIGHT

Left to Right

- Legend**
- A - Machine water inlet 3/4" NPT 180°F Hi-temp, 140°F Low-temp minimum
 - B - Electrical connection
 - C - Drain connection 1-1/2" NPT
 - D - Vent collar - Optional
 - E - Vent cow standard
 - F - 3/4" NPT Steam connection
 - G - 3/4" NPT Condensate return
 - H - Steam electrical connection
 - J - 1" NPT Steam connection
 - K - 3/4" Condensate connection
 - L - 3/4" NPT Incoming 110°F water connection
 - M - 3/4" NPT 180°F water to dishmachine.
 - N - Prewash water inlet 3/4" NPT 110°F-140°F
 - O - Cold water thermostat plumbing connection 3/4" NPT - Optional

Note: All vertical dimensions are +/- 1/2" from floor due to adjustable bullet feet.

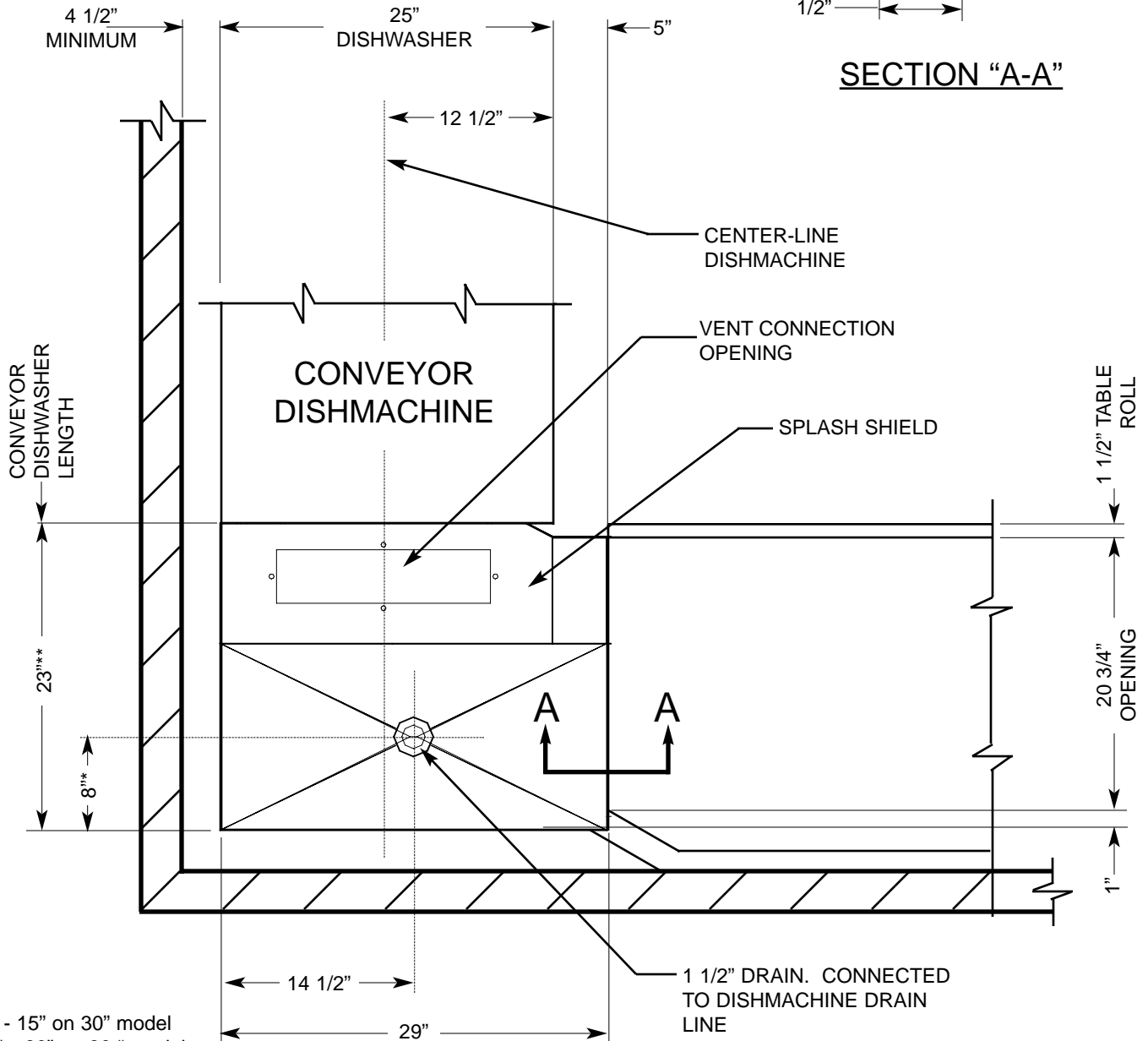
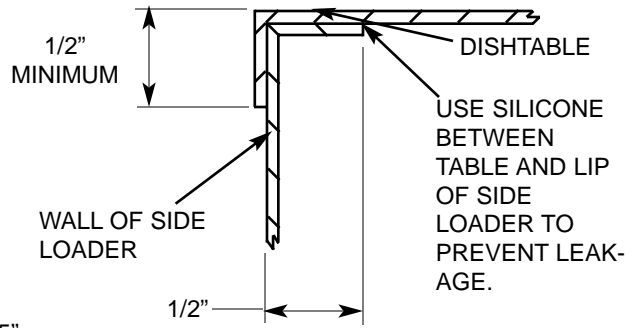
Recommended Table Fabrication



SECTION 1: SPECIFICATION INFORMATION

SIDE LOADER (LEFT TO RIGHT) DIMENSIONS

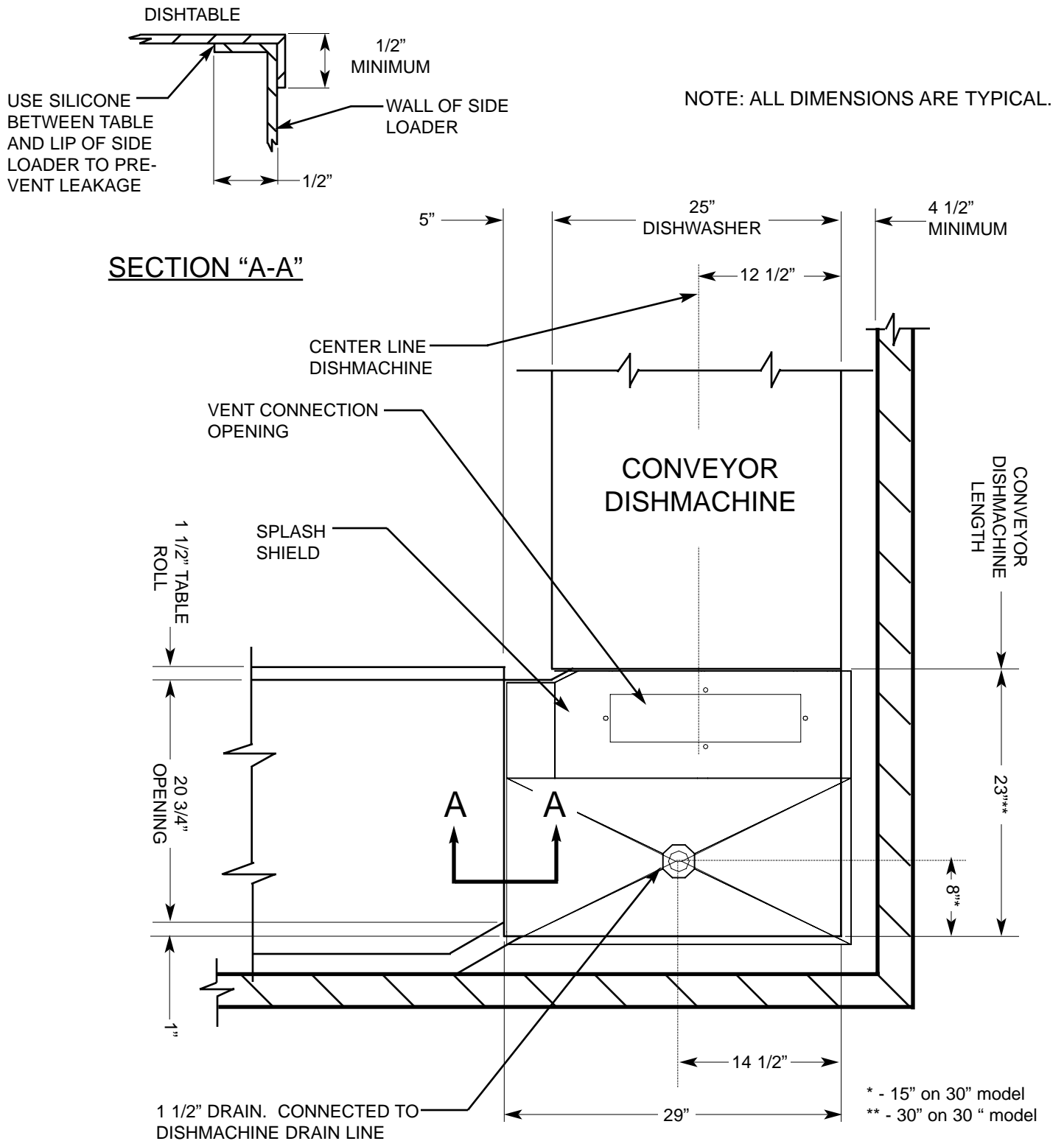
NOTE: ALL DIMENSIONS ARE TYPICAL.



* - 15" on 30" model
 ** - 30" on 30" model

SECTION 1: SPECIFICATION INFORMATION

SIDE LOADER (RIGHT TO LEFT) DIMENSIONS



SECTION 1: SPECIFICATION INFORMATION

SIDE LOADER (INSTALLED) DIMENSIONS

23" SIDE LOADER DIMENSIONS

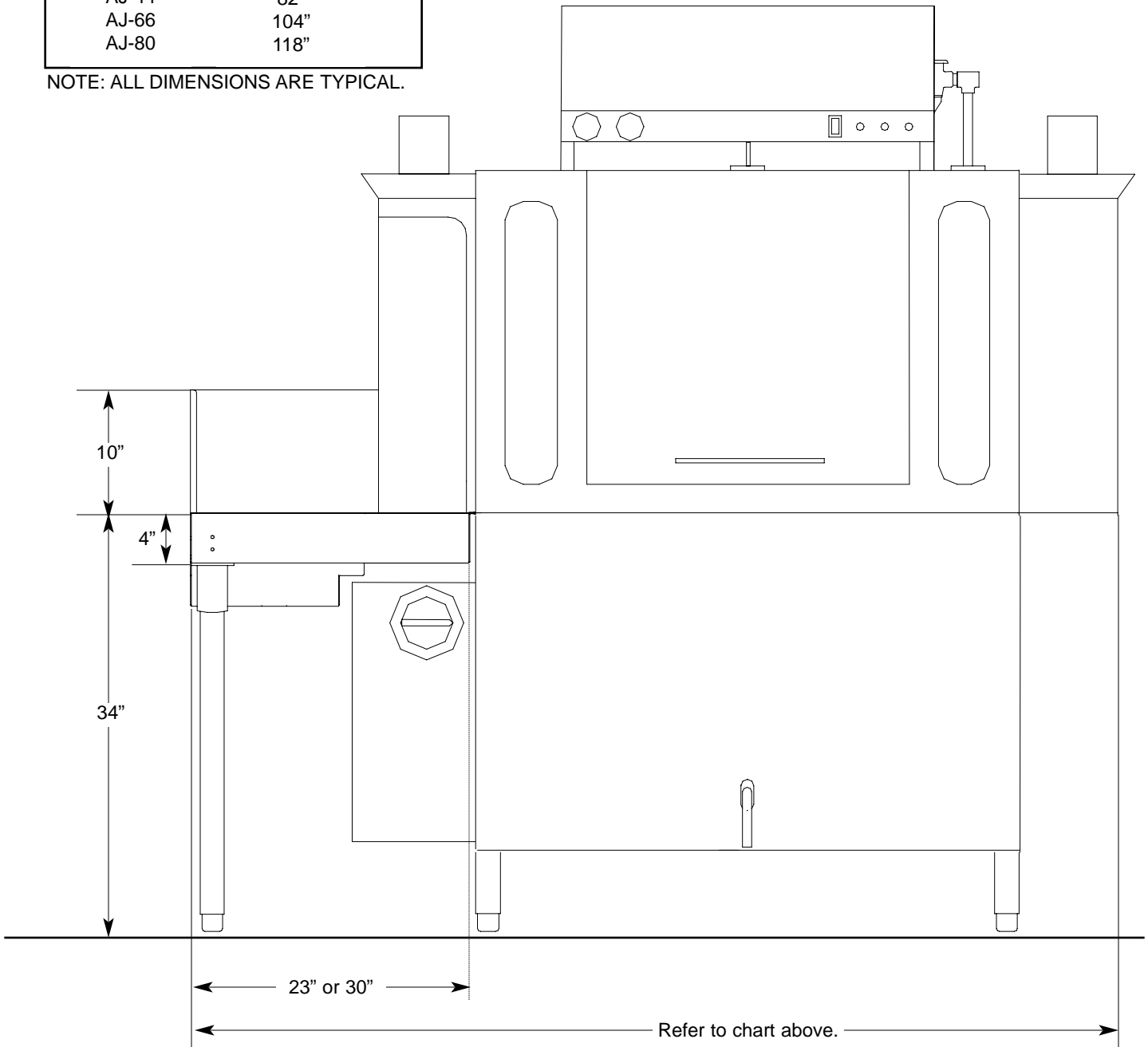
MODEL	DIMENSIONS
AJ-44	75"
AJ-66	97"
AJ-80	111"

30" SIDE LOADER DIMENSIONS

MODEL	DIMENSIONS
AJ-44	82"
AJ-66	104"
AJ-80	118"

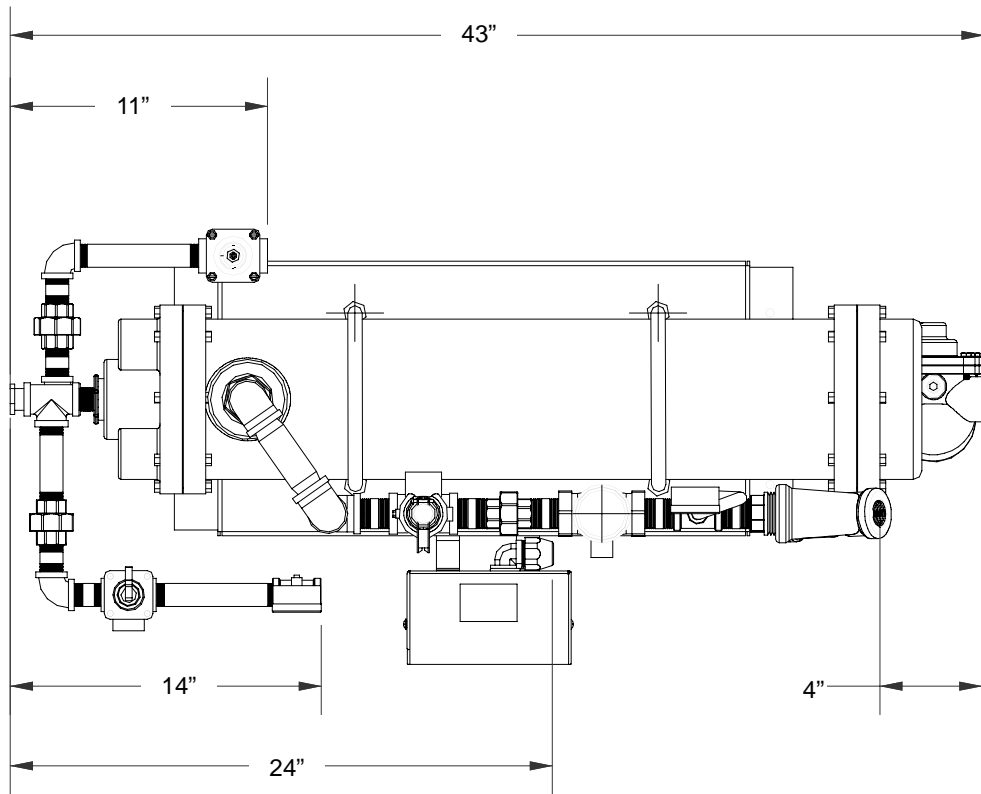
NOTE: ALL DIMENSIONS ARE TYPICAL.

(Left to Right installation shown for reference.)

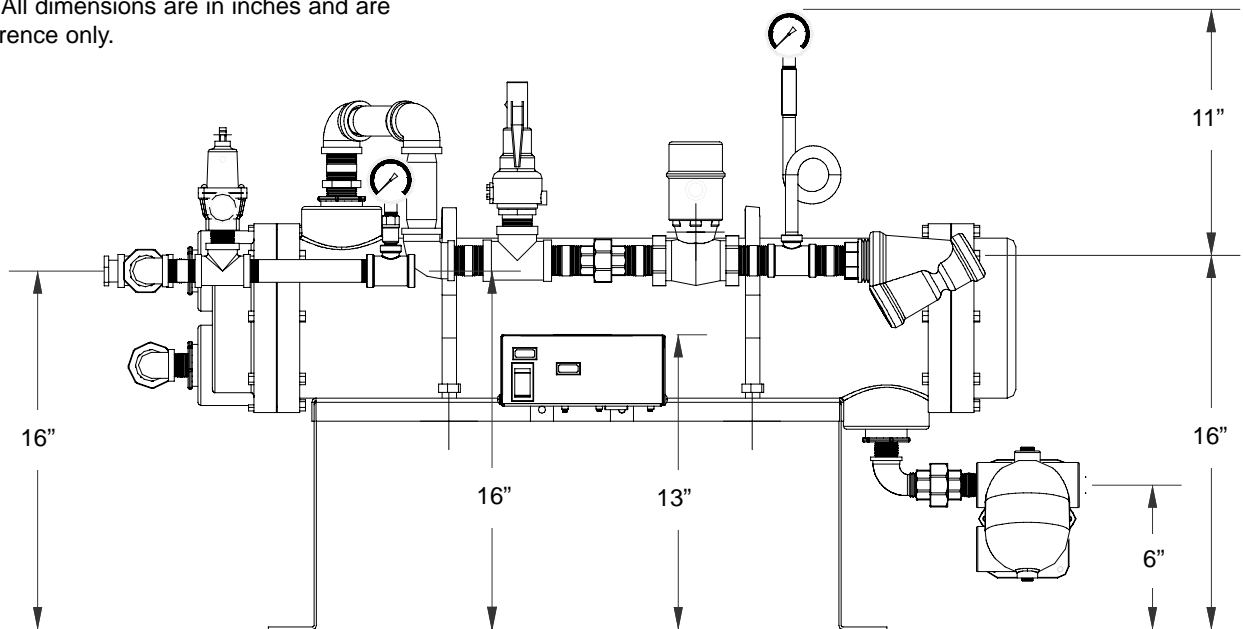


SECTION 1: SPECIFICATION INFORMATION

D226 STEAM BOOSTER DIMENSIONS

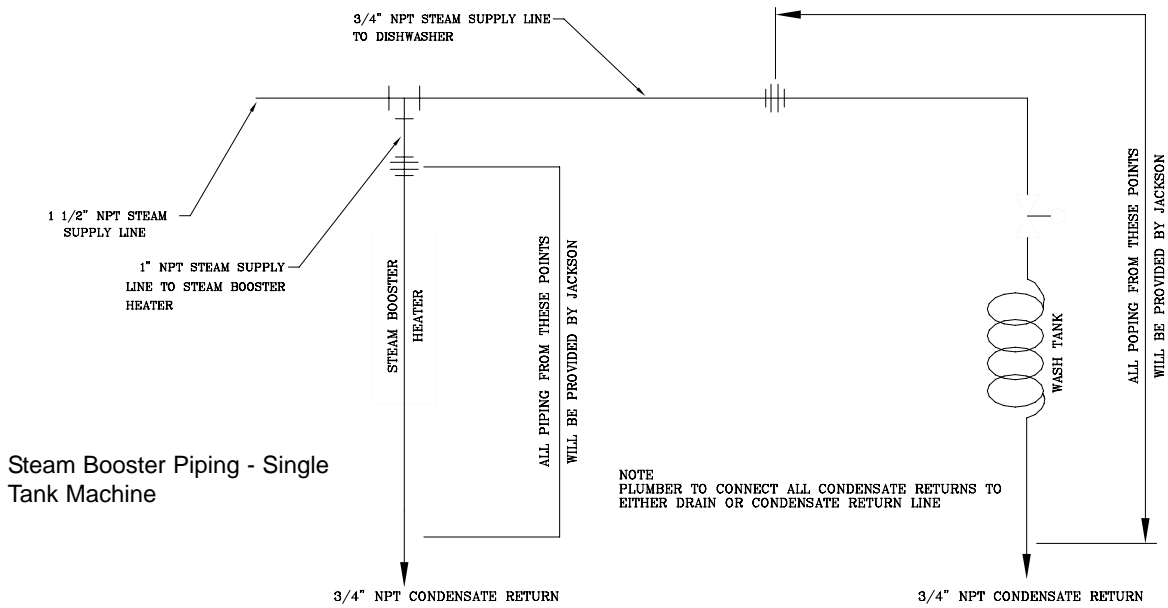


NOTE: All dimensions are in inches and are for reference only.

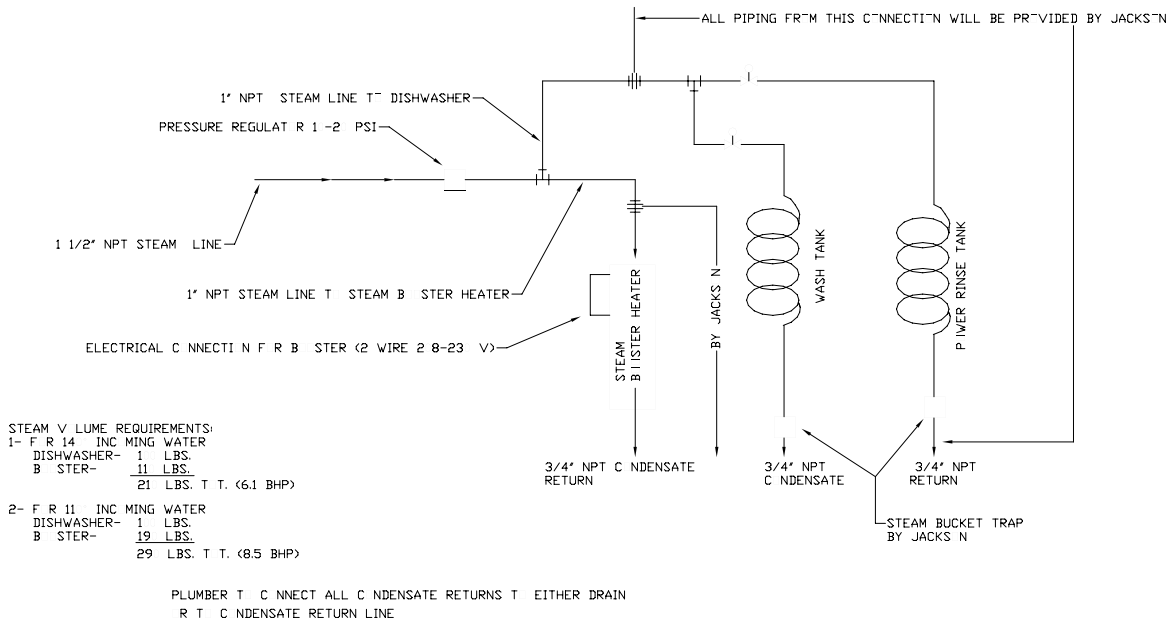


SECTION 1: SPECIFICATION INFORMATION

D226 STEAM BOOSTER PLUMBING LINE DRAWINGS



Steam Booster Piping - Single Tank Machine



STEAM VOLUME REQUIREMENTS:

1- F R 14" INC MING WATER	
DISHWASHER-	1 LBS.
B-STER-	11 LBS.
	21 LBS. T. T. (<6.1 BHP)
2- F R 11" INC MING WATER	
DISHWASHER-	1 LBS.
B-STER-	19 LBS.
	29 LBS. T. T. (<8.5 BHP)

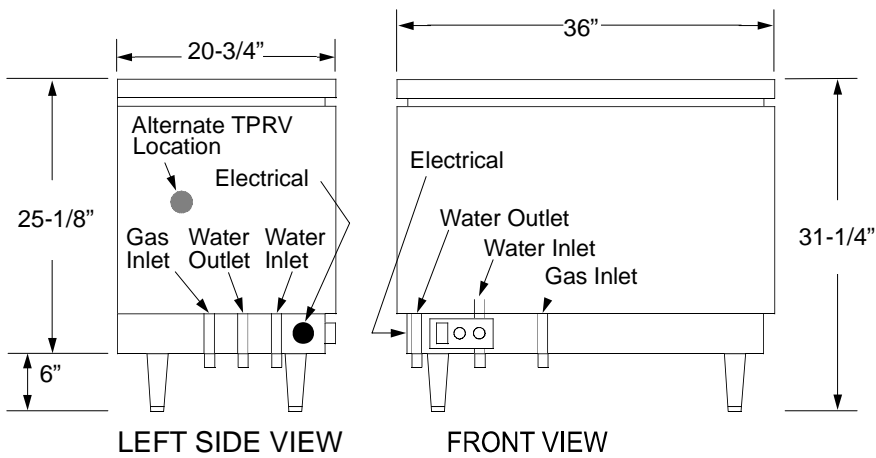
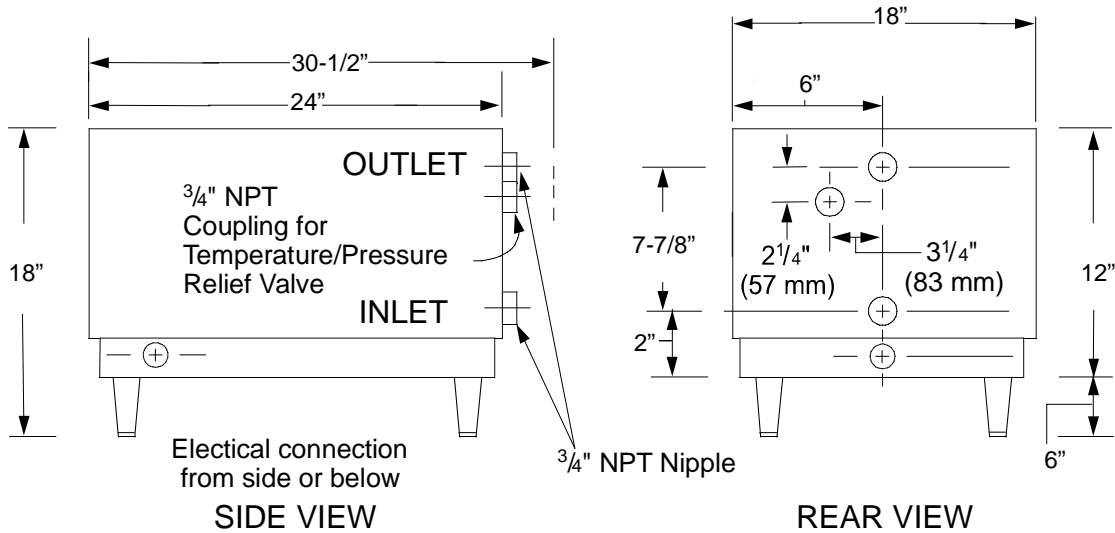
PLUMBER TO CONNECT ALL CONDENSATE RETURNS TO EITHER DRAIN OR TO CONDENSATE RETURN LINE

Steam Booster Piping - Double Tank Machine

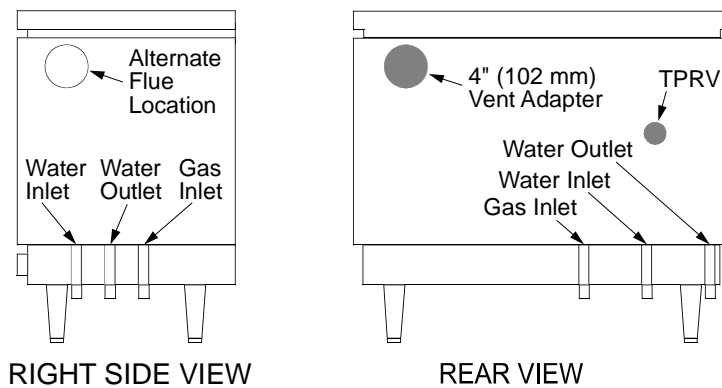
SECTION 1: SPECIFICATION INFORMATION

TYPICAL ELECTRIC AND GAS BOOSTER DIMENSIONS

Electric Booster Dimensions (Typical)



Gas Booster Dimensions (Typical)



**SECTION 2:
INSTALLATION & OPERATION
INSTRUCTIONS**

SECTION 2: INSTALLATION/OPERATION INSTRUCTIONS

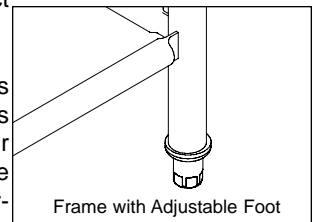
INSTALLATION INSTRUCTIONS

NOTE: THE INSTRUCTIONS PROVIDED HEREIN, UNLESS OTHERWISE SPECIFIED ARE FOR THE DISHMACHINES ONLY. THERE ARE SEPARATE DIRECTIONS FOR THE GAS BOOSTER.

VISUAL INSPECTION: Before installing the unit, check the container and machine for damage. A damaged container is an indicator that there may be some damage to the machine. If there is damage to both the container and machine, do not throw away the container. The dishmachine has been inspected and packed at the factory and is expected to arrive to you in new, undamaged condition. However, rough handling by carriers or others may result in damage to the unit while in transit. If such a situation occurs, do not return the unit to Jackson; instead, contact the carrier and ask them to send a representative to the site to inspect the damage to the unit and to complete an inspection report. You must contact the carrier within 48 hours of receiving the machine. Also, contact the dealer through which you purchased the unit.

UNPACKING THE DISHMACHINE: The machine should be unboxed and removed from shipping pallet prior to being installed. Open the front door and remove all of the packing materials. Once unpacked, ensure that there are no missing parts from the machine. This may not be obvious at first. If it is discovered that an item is missing, contact Jackson immediately.

LEVEL THE DISHMACHINE: The dishmachine is designed to operate while being level. This is important to prevent any damage to the machine during operation and to ensure the best results when washing ware. The unit comes with adjustable bullet feet, which can be turned using a pair of channel locks or by hand if the unit can be raised safely. Ensure that the unit is level from side to side and from front to back before making any connections. You will be able to adjust the overall height of the unit by turning the bullet feet from between 75-1/2" to 76-1/2".

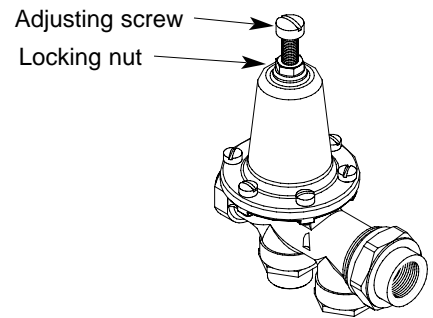


PLUMBING THE DISHMACHINE: All plumbing connections must comply with all applicable local, state, and national plumbing codes. The plumber is responsible for ensuring that the incoming water line is thoroughly flushed prior to connecting it to any component of the dishmachine. It is necessary to remove all foreign debris from the water line that may potentially get trapped in the valves or cause an obstruction. Any valves that are fouled as a result of foreign matter left in the water line, and any expenses resulting from this fouling, are not the responsibility of the manufacturer.

Water hardness should be a maximum of 6 grains per gallon. Harder water should be treated prior to using the machine. Iron in the water supply can cause staining. A filter designed to remove iron from the supply water is highly recommended for supplies in excess of 0.1 ppm (parts per million).

CONNECTING THE DRAIN LINE: The drain for the models covered in this manual are gravity discharge drains. All piping from the machine to the drain must be a minimum 1 1/2" NPT and should not be reduced. There must also be an air gap between the machine drain line and the floor sink or drain. If a grease trap is required by code, it should have a flow capacity of 30 gallons per minute.

WATER SUPPLY CONNECTION: Ensure that you have read the section entitled "PLUMBING THE DISHMACHINE" above before proceeding. The supply water temperature must meet the minimum requirements listed on the machine data plate. Install the water supply line (3/4" pipe size minimum) to the dishmachine line strainer. It is recommended that a water shut-off valve be installed in the water line between the main supply and the machine to allow access for service. The water supply line is to be capable of 25 PSI "flow" pressure at the recommended temperature indicated on the data plate.



Incoming Plumbing Connection

If the water level is too low or too high, check the incoming water pressure. It should be 20 ± 5 PSI. Too high of pressure results in too much water; too low of pressure results in too little water. To adjust the regulator, loosen the nut at the top, this will allow you to screw or unscrew the adjustment. With a screwdriver, turn the adjuster clockwise to increase pressure or counter clockwise to decrease it.

Do not confuse static pressure with flow pressure. Static pressure is the line pressure in a "no flow" condition (all valves and services are closed). Flow pressure is the pressure in the fill line when the fill valve is opened during the cycle.

SECTION 2: INSTALLATION/OPERATION INSTRUCTIONS

INSTALLATION INSTRUCTIONS (CONTINUED)

It is also recommended that a shock absorber (not supplied) be installed in the incoming water line. This prevents line hammer (hydraulic shock), induced by the solenoid valve as it operates, from causing damage to the equipment.

STEAM LINE CONNECTIONS: Some machines covered in this manual are designed to use low pressure steam as a source of heat for wash tank water. The machines come with lines by which outside source steam needs to be connected. Connect all incoming steam lines in accordance with the steam booster manufacturer's instructions. Ensure that all applicable codes and regulations are adhered to. See machine data plate for information concerning steam flow pressure.

GAS CONNECTIONS: Some machines covered in this manual are designed to use gas as an outside source of heat for wash tank water. The machines come with connections by which an outside source needs to be connected. Connect all incoming gas lines in accordance with the gas booster manufacturer's instructions. Ensure that all applicable codes and regulations are adhered to.

PLUMBING CHECK: Slowly turn on the water supply to the machine after the incoming fill line and the drain line have been installed. Check for any leaks and repair as required. All leaks must be repaired prior to placing the machine in operation.

ELECTRICAL POWER CONNECTION: Electrical and grounding connections must comply with the applicable portions of the National Electrical Code ANSI/NFPA 70 (latest edition) and/or other electrical codes.

Disconnect electrical power supply and place a tag at the disconnect switch to indicate that you are working on the circuit.

The dishmachine data plate is located on the right side and to the front of the machine. Refer to the data plate for machine operating requirements, machine voltage, total amperage load and serial number.

To install the incoming power lines, open the control box. Install conduit into the pre-punched holes in the back of the control box. Route power wires and connect to power block and grounding lug. Install the service wires (L1, L2, and L3 (3 phase only)) to the appropriate terminals as they are marked on the terminal block. Install the grounding wire into the lug provided. Tighten the connections. It is recommended that "DE-OX" or another similar anti-oxidation agent be used on all power connections.

VOLTAGE CHECK: Ensure that the power switch is in the OFF position and apply power to the dishmachine. Check the incoming power at the terminal block and ensure it corresponds to the voltage listed on the data plate. If not, contact a qualified service agency to examine the problem. Do not run the dishmachine if the voltage is too high or too low. Shut off the service breaker and mark it as being for the dishmachine. Advise all proper personnel of any problems and of the location of the service breaker. Replace the control box cover and tighten down the screws.

VENTILATION OF DISHMACHINE: The dishmachine should be located with provisions for venting into an adequate exhaust hood or ventilation system. This is essential to permit efficient removal of the condensation exhaust. Ensure that the exhaust system is acceptable in accordance with all applicable codes and standards.

NOTE: Any damage that is caused by steam or moisture due to improper ventilation is NOT covered under the warranty.

This units covered in this manual have the following exhaust requirements:

Load End:	200 CFM
Unload End:	400 CFM



Decal showing
"L1", "L2", & "L3"
(3 phase models
only).

Terminal Block

Incoming Power Connection

SECTION 2: INSTALLATION/OPERATION INSTRUCTIONS

INSTALLATION INSTRUCTIONS (CONTINUED)

The exhaust system must be sized to handle this volume for the dishmachine to operate as it was designed to.

ELECTRIC HEAT: The thermostats for the machines covered in this manual are factory set. They should not be adjusted except by an authorized service agent.

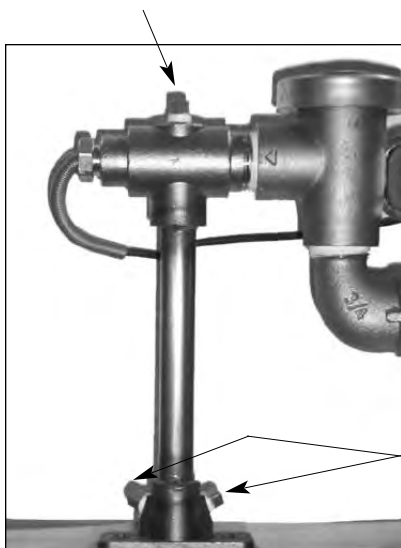
CHEMICAL FEEDER EQUIPMENT: The AJ-44CEL/CSL, AJ-66CEL/CSL, and AJ-80CEL/CSL are designed to operate with a third party chemical injection system. Jackson does not endorse any particular chemical injection system. The system selected must be able to provide detergent and sanitizer in the required concentrations. The minimum chlorine concentration for proper sanitization is 50 PPM. Furthermore, the selected feeder needs to be able to operate against a head of 25 PSI and deliver 7.38 ml of a 10% chlorine sanitizer per minute.

Detergent may be introduced into the unit through the removal of the bulkhead plug in the rear of the tub and replacing it with the third party detergent injection fitting. Remove the bulkhead plug in the side of the tub to install the detergent concentration probe.

For more information concerning detergent concerns, please refer to

the page entitled "Detergent Control".

Brass Plug

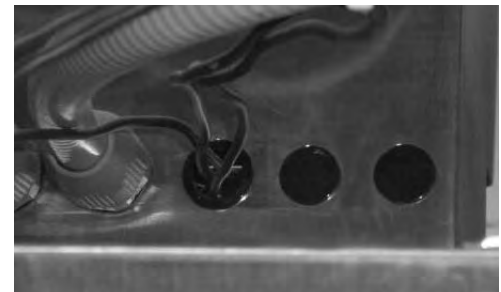


The 1/8" brass plugs on the incoming plumbing rinse injector may be removed to install sanitizer and rinse aid injection fittings.

Brass Plugs

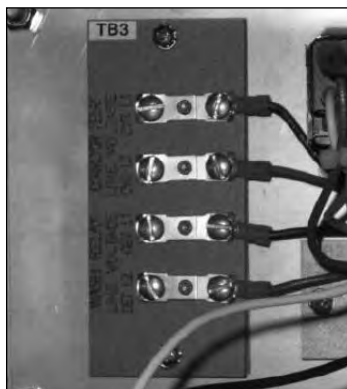


Detergent Connection Point
(Machine rear view)



Back of Control Box

All wires for the chemical injectors should be routed through one of the extra openings in the back of the control box.



Aid Connection Points

Terminals in the control box marked "CVS" provide a constant voltage signal whenever the drive motor is operating.

Terminals in the control box marked "DET" provide a voltage signal whenever the wash motor is operating.

SECTION 2: INSTALLATION/OPERATION INSTRUCTIONS

DELIMING OPERATIONS

DELIMING OPERATIONS: In order to maintain the dishmachine at its optimum performance level, it will be required to remove lime and corrosion deposits on a frequent basis. A deliming solution should be available from your detergent supplier. Read and follow all instructions on the label of the deliming solution.

To proceed with the deliming operation, fill the dishmachine and add the correct amount of deliming solution as recommended by the deliming solution manufacturer. The water capacity of the various tanks of the dishmachine can be verified on the specification sheet(s) of this manual.

Perform the following operations to delime the dishmachine:

1. Turn the AUTOMATIC/DELIME switch on the back of the control box to the DELIME position.
2. Disconnect or turn off all chemical feeder pumps.
3. Close all doors (after adding the deliming solution).
4. Run the machine for the recommended period of time.
5. Turn the unit off and open the doors.
6. Wait five minutes, then inspect the inside of the machine. If the machine is not delimed, run another time cycle as per the deliming solution's instructions.
7. When clean, drain and re-fill the machine.
8. Run in MANUAL for 10 minutes to remove residual deliming solution.
9. Drain and re-fill the machine.



Delime Switch

This equipment is not recommend for use with deionized water or other aggressive fluids. Use of deionized water or other aggressive fluids will result in corrosion and failure of materials and components. Use of deionized water or other aggressive fluids will void the manufacturer's warranty.

SECTION 2: INSTALLATION/OPERATION INSTRUCTIONS

CHANGING THE AJ-44CE/CS DIRECTION OF TRAVEL

The AJ-44 dishmachine has the ability to have its direction of travel changed from left to right, or from right to left. Direction of travel is determined by which end the rack of ware is put into the machine and which end the rack comes out.

There may come times when it is necessary to change the direction of travel after the unit is installed. The instructions provided here are for maintenance personnel only. Unauthorized persons should not attempt any of the steps contained in these instructions.

Warning: many of the instructions and steps within this document require the use of tools and may also require that personnel change the wiring of the machine. Only authorized personnel should ever perform any maintenance evolution on the dishmachine!

PREPARATION

1. Power must be secured to the unit at the service breaker. Tag or lock out the service breaker to prevent accidental or unauthorized energizing of the machine.
2. Disconnect incoming water at the water pressure regulator or Y-strainer.
3. Disconnect the service drain line from the drain plumbing of the dishmachine itself. Ensure that the unit is completely drained before doing this.
4. Remove the locking screw from the control box.
5. Remove the front dress panel.

TOOLS REQUIRED

The following tools will be needed to perform this maintenance evolution:

1. 5/16" nutdriver
2. 7/16" nutdriver
3. 7/16" combination wrench
4. 7/16" socket with drive ratchet and 4" extension
5. 12" pipe wrench
6. 10" adjustable wrench
7. Wire cutters
8. Phillipshead screwdriver

TIME REQUIRED

It is estimated that it will take (1) person three hours to perform this task, not including all of the items indicated in the section entitled "PREPARATION".

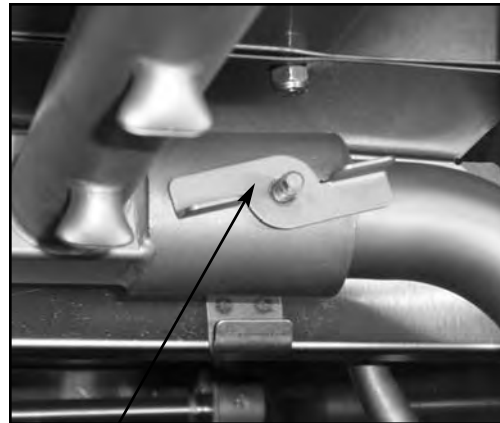
IMPORTANT NOTES

1. Do not lose hardware! Place hardware in a safe spot away from the machine, ensuring that it does not fall loose into the machine tub. Hardware that is drawing into the suction of the wash pump will damage the equipment. If you do need more hardware, contact your JACKSON representative to purchase new items.

2. Read these instructions thoroughly before attempting this maintenance evolution. Become familiar with the parts and what actions need to be taken. This will save time in the long run!

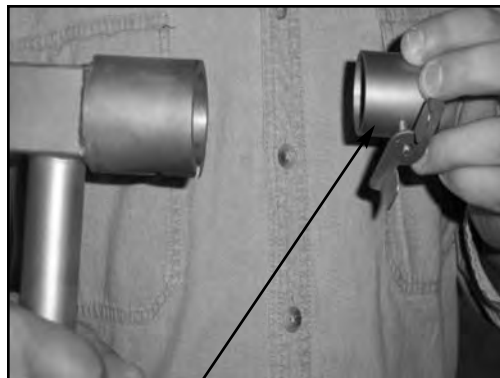
STEPS

1. Remove the upper wash arm assembly by loosening the spin nut. The spin nut has a stop so it will not come off. Once it is loosened, the wash arm assembly should slide off.



Spin nut

2. Remove the end cap from the wash arm assembly and place in the opposite end, securing it snugly.



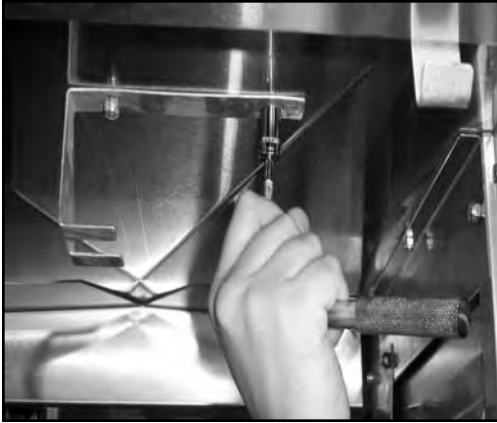
End cap

3. With the end cap securely in the opposite end of the wash arm assembly, set the assembly gently to the side. Go back inside the unit to where the upper wash arm assembly secured in the unit and turn the spin nut so that it is all the way down. This needs to be done because in a further step, if the spin nut is out, it will get in the way. Do not over-tighten the spin nut as it only needs to be out of the way, not secured.

SECTION 2: INSTALLATION/OPERATION INSTRUCTIONS

CHANGING THE AJ-44CE/CS DIRECTION OF TRAVEL (CONTINUED)

4. Remove the upper wash arm assembly bracket. This step may require that you have help as the bolts for securing the bracket to the top of the inner hood are the same bolts that hold the control box to the hood top. Do not remove the bolts once the nuts are taken off. Once the bracket is removed, place the nuts immediately back on the bolts. To hold the bolts (to keep them from spinning), a 7/16" combination wrench or 7/16" nutdriver will be required in order to hold the bolt head inside the control box.



Removing bracket (bottom view)



Removing bracket (control box view)

Remove the locknuts from the opposite bolts used to hold down the control box (do not remove the bolts) and secure the bracket to underside of the hood. The folded part of the bracket should be facing the rear of the machine. Immediately tighten down the locknuts.

5. Remove the splash shield, which is bolted to the underside of the hood next to the wash manifold and turn it 180°.



Removing and turning splash shield

6. Remove the pawl bar and set to the side.



Remove the pawl bar by grasping firmly and lifting up.

7. Remove the lower wash arm assembly by turning the locking screw to unlatch it. The entire assembly should then lift out.

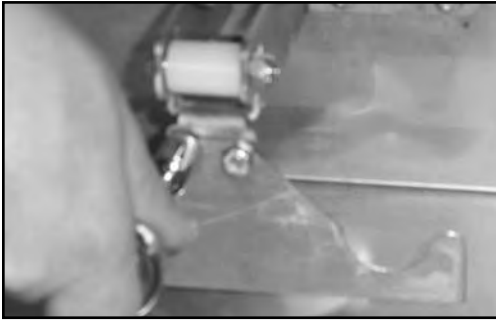


Locking screw

8. Remove the lower wash arm support bracket. Place it to the side with its locknuts.

SECTION 2: INSTALLATION/OPERATION INSTRUCTIONS

CHANGING THE AJ-44CE/CS DIRECTION OF TRAVEL (CONTINUED)



Removing the locknuts for the lower wash arm support bracket.



Removing the bracket nut

9. Remove the lower rinse arm support bracket, which is mounted directly opposite of the lower wash arm support bracket.



Removing the lower rinse arm support bracket

10. Remove the lower and upper rinse arms by unscrewing them and then gently pulling them out.



Unscrewing and removing the lower rinse arm

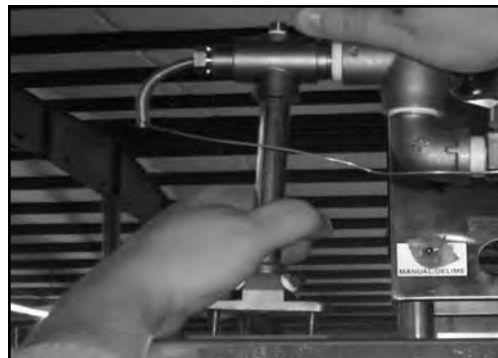
11. Behind the rinse manifold, remove the nut on the bracket.

12. Remove the nuts from the rinse manifold mounting bracket located on the underside of the hood. These nuts are mounted directly to the rinse injector weldment on the hood top.



Removing the locknuts from the rinse manifold mounting bracket

13. The rinse manifold must be removed. This may prove difficult while the rinse injector is still mounted. With great care, it is possible to gently lift the rinse injector off of the hood to allow the rinse manifold to be removed from the unit. Ensure that the gasket in the underside of the hood stays with the rinse manifold as it must be replaced when re-installing the manifold. If the gasket becomes lost or torn, order a new one immediately.



Lifting the rinse injector to make room

14. Remove the entire rinse tray assembly, including the pan

SECTION 2: INSTALLATION/OPERATION INSTRUCTIONS

CHANGING THE AJ-44CE/CS DIRECTION OF TRAVEL (CONTINUED)

and the strainer within in. The assembly should lift right out. (See next page for photograph detailing this step)

15. Remove the front and rear rinse pan locator brackets. **Note: the brackets are mounted to the bolts that secure the tub weldment to the frame.** Once the locknuts are removed, pull the locator brackets off and immediately replace the locknuts back onto the bolts. Failure to do so at a minimum may cause excessive leaking of the tub once the unit is placed back in operation.



Lifting out the rinse tray assembly



Removing a rinse tray guide bracket

16. On the drain plumbing, the rinse drain tube needs to be removed from the plumbing, as well as the wash drain tube. Both of these tubes are secured with hose clamps. Loosen the hose clamps and pull the tubes off.



Loosening the rinse drain hose from the rinse drain nipple

17. The tee that the rinse drain nipple is in must be turned 180° so that it is facing the opposite direction. This may require dis-

mantling the plumbing by removing the tee with the wash drain barb in it. Put the plumbing back together, after ensuring that the rinse drain tee has been rotated. Use thread tape to protect the threads while putting the plumbing back together. Ensure that the wash drain barb is in the exact same position it was prior to this step.

18. On the underside of the tub, remove the rinse drain weldment and the rinse drain plug. Switch their locations so that the rinse drain weldment is in the spot that the rinse drain plug was in.



Removing the rinse drain weldment



Removing the rinse drain plug

19. Reconnect the rinse drain hose and the wash drain hose to the drain plumbing.

20. On the opposite end from where they were removed, install the front and rear rinse pan assembly locating brackets. **Note: the brackets are mounted to the bolts that secure the tub weldment to the frame.** Install the brackets one at a time and ensure that they are firmly tightened down once installed.

21. Remove the hole cover weldment from the top of the hood. The cover is located on the end of the hood opposite of the rinse injector weldment. Once removed, set to the side along with its gasket.

SECTION 2: INSTALLATION/OPERATION INSTRUCTIONS

CHANGING THE AJ-44CE/CS DIRECTION OF TRAVEL (CONTINUED)



Removing the hole cover weldment

22. Separate the rinse plumbing from the rest of the incoming plumbing by loosening the union. Ensure that the gasket on the bottom of the rinse injector stays with the assembly as you remove it.



Loosening the union on the incoming plumbing

23. Remove the remaining half of the union from the incoming plumbing.

24. Remove the incoming water pressure regulator from the incoming plumbing and replace with the union half that was removed in step 23. Place the water pressure regulator on the end that the union half was removed from.

25. Place the removed rinse plumbing assembly (with the gasket) in the hole left open from when you removed the hole cover weldment in step 21. Tighten the two halves of the union together.

26. Place the hole cover weldment (with its gasket) over the hole from where the rinse plumbing assembly was originally installed. Tighten down with the locknuts.

27. Re-install the rinse manifold (with its gasket) by connecting it to the rinse injector weldment at its new location. Remove the locknut from the stud for the bracket down near the rack rails and then secure the bracket to the machine using the same lock nut.

28. Re-install the lower wash arm support bracket to the pawl bar support on the end of the tub opposite from where it was removed.

29. Re-install the upper and lower rinse arms. Reinstall the lower rinse arm support bracket.

30. Re-install the lower wash arm assembly, turning it 180° and locking it in place with the locking screw.

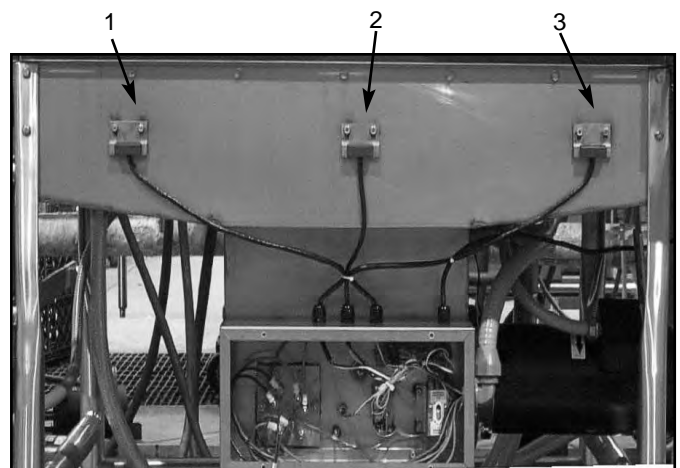
31. Re-install the pawl bar. Ensure that the pawl bar is placed so that when racks are placed in the unit, the pawl bar dogs fold down.

32. Re-install the upper wash arm assembly. If you performed all of the actions outlined in step 2, when you install it, it will be directly over the lower wash arm assembly.

33. Remove the heater box cover by unscrewing the four screws holding it on.



Removing the heater box cover



Front of rack conveyor showing the conveyor switches

SECTION 2: INSTALLATION/OPERATION INSTRUCTIONS

CHANGING THE AJ-44CE/CS DIRECTION OF TRAVEL (CONTINUED)

Conveyor Switch Chart:

Unit Direction	Switch #1	Switch #2	Switch #3
Left to Right	Wash Switch #1	Wash Switch #2	Rinse Switch
Right to Left	Rinse Switch	Wash Switch #2	Wash Switch #1

The chart above lists the conveyor switches and their functions, depending on the direction of travel for the machine. As you can see, when you change the direction of the conveyor, you must also alter the way the conveyor switches operate.

There is no need to remove the switches, only to change the wiring inside the heater box.



Terminal board inside the heater box

34. **Note:** Before beginning any part of this maintenance evolution that deals with the wiring of the machine, ensure that it is performed by qualified technicians only. Always refer to the machine schematic, located inside the control box, for any questions.

Wash Switch #1 and the Rinse Switch need to have their wire positions changed on the terminal board pictured above. Locate the **gray/yellow** wire for Wash Switch #1 (do not confuse it with the gray/yellow wire for Wash Switch #2) and the **orange/yellow** wire for the Rinse Switch. Exchange their positions on the terminal board.

35. Verify that the plumbing has been reassembled correctly and that the hole cover weldment has been replaced and none of the gaskets are torn or pinched as this could lead to leaking when the machine operates.

35. Re-install the heater box cover.

SPECIAL PARTS

Gasket, Rinse Injector:
Mfg. No.: [05330-111-42-81](tel:05330-111-42-81)



Incoming plumbing assembly for a Left to Right machine (note hole cover weldment in lower right corner)



Incoming plumbing assembly for a Right to Left machine (note hole cover weldment in upper left corner)

AFTER MAINTENANCE ACTIONS

1. Reconnect the incoming water and drain lines and then restore power to the unit. Run the unit for at least 1/2 hour to ensure there are no leaks. Test the unit with an empty rack to ensure that it pulls the rack all of the way through the unit. If any problems arise you can contact your Jackson representative.

2. Replace the front dress panel once the unit is ready for service again.

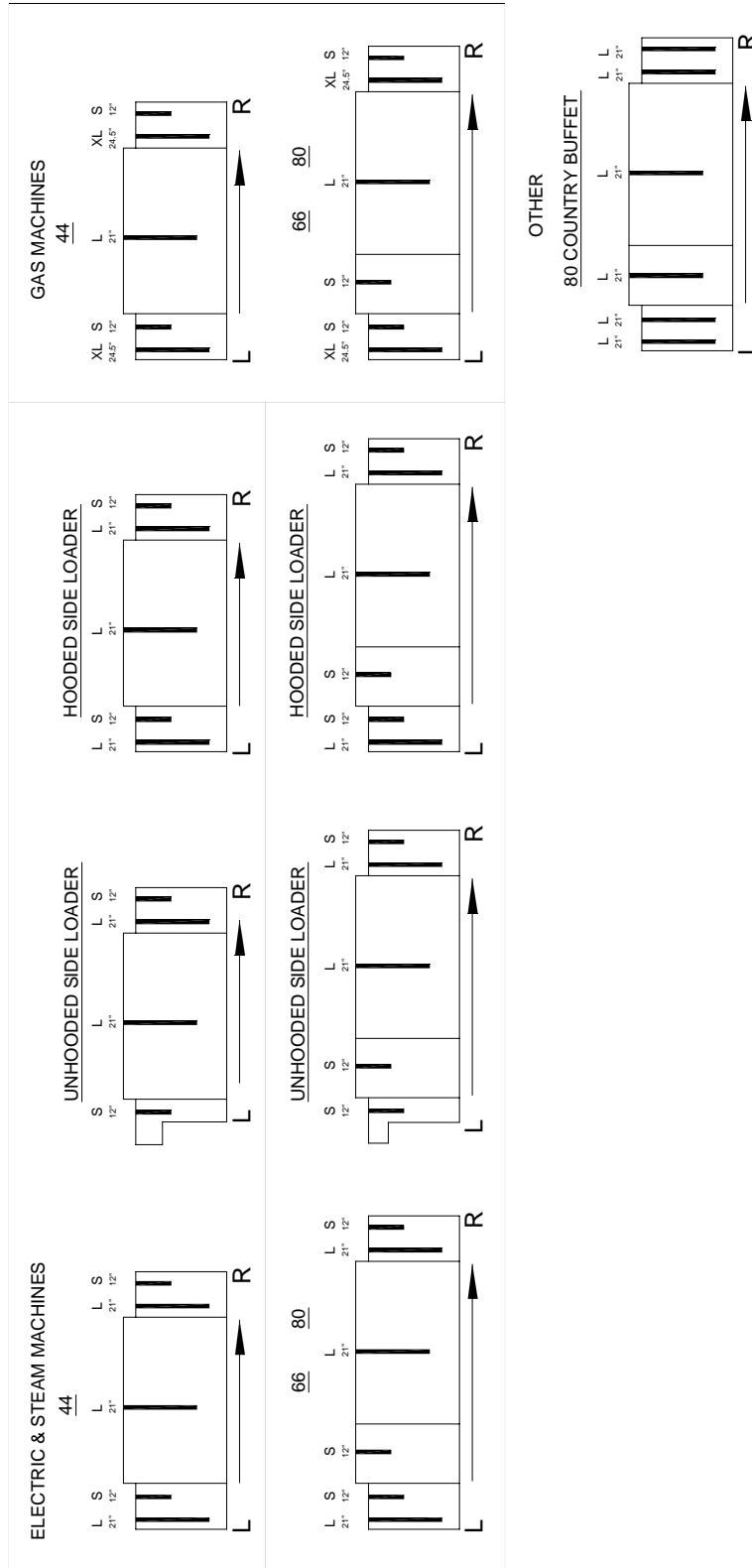
SPECIAL NOTES

1. There is a possibility that you may be required to shorten or lengthen the conduit and wire lengths for the inlet solenoid on the rinse plumbing once it is moved. This work should be performed by qualified technicians who will do the work according to applicable local, state and national codes. Questions concerning this should be directed to your Jackson representative.

SECTION 2: INSTALLATION/OPERATION INSTRUCTIONS

CURTAIN INSTALLATION DIAGRAMS

Please refer to the chart for placement of the curtains.



SECTION 2: INSTALLATION/OPERATION INSTRUCTIONS

SIDE LOADER INSTALLATION & OPERATION INSTRUCTIONS

This accessory assists in the delivery of a full dish rack from the break down (scrapping) table to the dishmachine. It will convert the direction of travel 90°. Since the Side Loader is shipped mounted on the conveyor dishwasher there is no additional installation required for this option. As it is operated mechanically by the dishwasher it does not require any plumbing or electrical connections.

This Side Loader does not require or add any additional electrical or mechanical devices to the unit which could create operational or maintenance problems. As designed the drive mechanism is powered by the conveyor drive motor on the dishmachine. An extension on the pawl bar provides the drive to push the racks into the unit.

PREPARATION: Before proceeding with the start-up of the unit, verify that the Side Loader pan strainer is installed.

WARE PREPARATION: Proper preparation of ware will help ensure good results and less re-washes. If not done properly, ware may not come out clean and the efficiency of the dishmachine will be reduced. It is important to remember that a dishmachine is not a garbage disposal and that simply throwing unscrapped dishes into the machine simply defeats the purpose altogether of washing the ware. Scraps should be removed from ware prior to being loaded into a rack. Pre-rinsing and pre-soaking are good ideas, especially for silverware and casserole dishes. Place cups and glasses upside down in racks so that they do not hold water during the cycle. The dishmachine is meant not only to clean, but to sanitize as well, to destroy all of the bacteria that could be harmful to human beings. In order to do this, ware must be properly prepared prior to being placed in the machine.

WASHING A RACK OF WARE: Once a rack is fully loaded it should be positioned against the front of the dish table. The rack should then be moved into the Side Loader until it activates the actuator switch. Once the machine is started, it should pull the rack through the machine and push it out the unload end. Once a rack has started through, you may put another rack in.

OPERATIONAL INSPECTION: Based upon usage, the pan strainer may become clogged with soil and debris as the workday progresses. Operators should regularly inspect the pan strainer to ensure it has not become clogged. If the strainer does become clogged, it will reduce the washing capability of the machine. Instruct operators to clean out the pan strainer at regular intervals or as required by work load.

SHUTDOWN AND CLEANING: At the end of the workday, remove the pan strainer and clean as required. Wipe out the inside of the Side Loader and then reinsert the strainer.

SECTION 2: INSTALLATION/OPERATION INSTRUCTIONS

D226 STEAM BOOSTER INSTALLATION & OPERATION INSTRUCTIONS

CONCEALED DAMAGE OR MISSING PARTS:



IMPORTANT: FOR YOUR PROTECTION, PLEASE READ AND OBSERVE THE FOLLOWING:

This steam booster has been thoroughly inspected and carefully packed before leaving our warehouse.

Concealed loss or damage means loss or damage which does not become apparent until the booster has been unpacked. The contents may be damaged in transit due to rough handling even though the carton may not show external damage.

If it is found that the shipment has concealed damage, PLEASE DO NOT RETURN IT TO JACKSON, but notify the carrier (within 48 hours) asking them to send their agent to fill out an inspection report. Save the cartons so he may inspect them and be sure to note in the report any black marks, creases, tears, crushed corners or any other marks indicating rough handling. Also, notify your JACKSON dealer immediately.

If it is discovered that there are missing parts, please notify your JACKSON dealer immediately.

EQUIPMENT MOUNTING:

Your booster should come pre-assembled and will require that it be permanently mounted in place. The platform has pre-punched holes to allow for mounting to the installation floor. **NOTE:** The D226 Booster must be properly mounted and level before being used. Once the platform is secure to the floor, attach the water and steam lines in accordance with local and national codes.

PLUMBING:

NOTE: ALL CONNECTIONS MUST COMPLY WITH ALL APPLICABLE LOCAL, STATE AND NATIONAL PLUMBING CODES.

The plumber is responsible for ensuring that the water line is **THOROUGHLY FLUSHED BEFORE** connecting it to any manual or solenoid valve. It is necessary to remove all foreign matter such as chips (resulting from cutting or threading pipes), pipe joint compound or, if soldered fittings are used, bits of solder or cuttings from the lines. This debris, if not removed, may lodge in the valves and render them inoperative.

The D226 Booster is designed to take incoming water from a minimum temperature of 110°F to approximately 180°F for use in the final rinse of your Jackson dishmachine. In order to do this, water is supplied to the booster and is heated by tubes carrying 15-25 PSIG flow steam. Heat is transferred from the steam into the water, raising the temperature.

Install condensate drains in accordance with applicable codes.

The D226 Booster is designed to operate at a water flow rate of 20 ± 5 PSI. The assembly comes with a water pressure regulator, which is preset at the factory. However, adjustment may be required so ensure that you verify the the flow pressure before beginning operations. See the instructions regarding adjustment and maintenance of the water pressure regulator for more information.



WARNING: The D226 Booster is designed to heat water to a minimum of 180°F and is extremely hot during operations. Advise personnel of the dangers associated with touching booster components as burns or severe injury can occur.



This equipment is not recommend for use with deionized water or other aggressive fluids. Use of deionized water or other aggressive fluids will result in corrosion and failure of materials and components. Use of deionized water or other aggressive fluids will void the manufacturer's warranty.

SECTION 2: INSTALLATION/OPERATION INSTRUCTIONS

D226 STEAM BOOSTER INSTALLATION & OPERATION INSTRUCTIONS (CONTINUED)

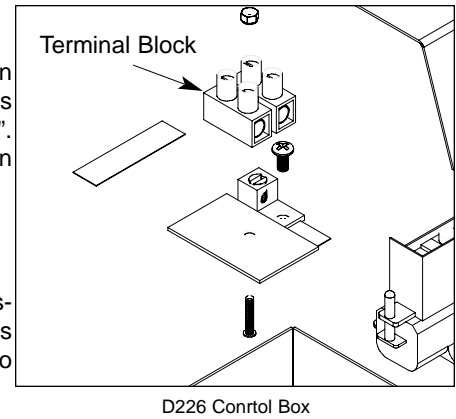
ELECTRICAL:

! WARNING: Electrical and grounding connections must comply with applicable portions of the National Electrical Code ANSI / NFPA 70 (latest edition) and/or other electrical codes. Disconnect electrical power supply and place a tag or lock at the disconnect switch to indicate that you are working on the circuit.

To connect the incoming power, run the conduit for power wires through the open hole in the back of the control box. Connect the power wires to the terminal block as it is labeled (L1 and L2). Run the ground wire to the grounding lug marked "GND". Tight connections and conduit nuts and close the control box by putting the cover on and securing with the 10-32 screws.

OPERATION:

! WARNING: The heat exchanger used in the D226 Booster system is a pressure vessel with very precise operating parameters. Safety equipment such as relief valves should never be tampered with or disabled. These devices are meant to protect the equipment and the operator from harm, damage and death.



1. Ensure that water, steam and any condensate drains are connected to the booster.
2. Start the water flow first, open the condensate drains and then begin steam flow.
3. On the control box, press the power switch and put it in the ON position. The power light should illuminate.

The unit should run normally now.

! WARNING: Do not shock the system by applying the steam before the water. This can cause damage to the booster.

The following explanation describes the operation of the D226 Booster.

NOTE: This explanation assumes that water and steam have been connected to the machine.

1. When the power switch (S1) is placed in the ON position, power is provided to both the power light (E1) and the thermostat (TS1).
2. The thermostat (TS1) will close when the water falls below the minimum setpoint, energizing the steam solenoid light (E2) and the steam solenoid (FS1).
3. The steam solenoid (FS1) will remain open, allowing steam into the booster, until the water temperature reaches the desired temperature. At that point, the thermostat (TS1) will open, de-energizing the steam solenoid (FS1) and the steam solenoid light (E2).

! IMPORTANT: Please remember that all of the components in the control box are under line voltage (208-240 volts). Under no circumstance is the control box cover to be removed or opened during normal operations!

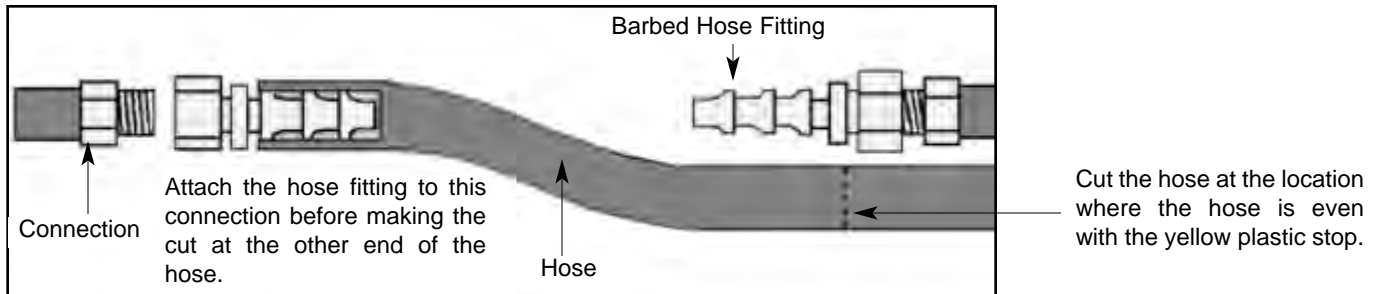
SHUTDOWN (FOR SERVICE ONLY):

! WARNING: The D226 Booster is designed to heat water to a minimum of 180°F and is extremely hot during operations. Advise personnel of the dangers associated with touching booster components as burns or severe injury can occur.

1. Turn the power switch to the OFF position. The power light should extinguish.
2. Secure steam flow to the unit.
3. Secure water flow.
4. Close the condensate drains as required by procedure and/or code.
5. Do not attempt to clean, wipe down or perform any maintenance on the booster until it has been given a generous amount of time to cool down.

SECTION 2: INSTALLATION/OPERATION INSTRUCTIONS

GAS CONVEYOR HOSE INSTALLATION



Due to the fact that each customer may have different requirements for the orientation of the gas booster heater relative to the main dishmachine, the hose lengths that connect the two units must be customized during each installation. The appropriate 3/4" hosing, fittings and gaskets have been provided.

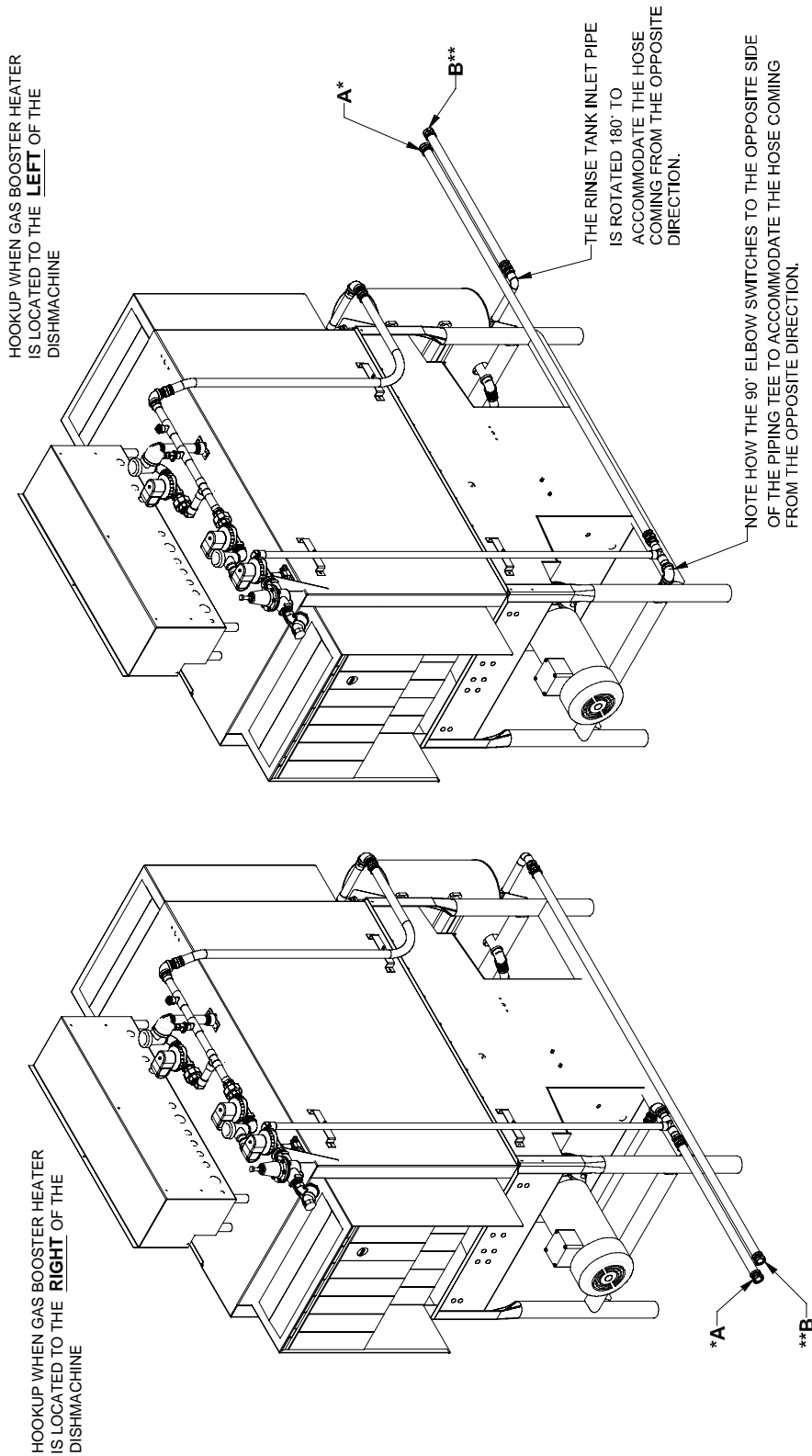
To prevent incorrect measurements of the hose, it is recommended to place one barbed hose fitting into the end of the uncut length of hose coil and attach that fitting to an appropriate connection. Run the hose to the corresponding connection on the other unit before cutting the hose. Use a barbed hose fitting that is screwed into the second connection on the other unit before cutting the hose. Use a barbed hose fitting that is screwed onto the second connection to gauge the correct distance. Ensure a smooth "flow" of hose without any sharp turns or kinks.

To aid in pushing the barbed hose fitting into the hose, place the fitting on a hard surface (i.e. the floor) with the barbed end of the fitting pointing upward and push the hose down onto the fitting. A small amount of lubricant (i.e. petroleum jelly) may aid in this process.

SECTION 2: INSTALLATION/OPERATION INSTRUCTIONS

GAS CONVEYOR HOSE INSTALLATION (CONTINUED)

TYPICAL RECIRCULATING WATER HOOK-UP FOR ALL GAS HEATED CONVEYORS



CONNECTION HOSES ARE CUT TO LENGTH DURING INSTALLATION.

(ENOUGH HOSE IS PROVIDED TO LOCATE THE GAS BOOSTER HEATER APPROXIMATELY 9 FEET AWAY FROM THE DISHMACHINE. ADDITIONAL HOSE MUST BE ORDERED IF A GREATER DISTANCE IS REQUIRED. DISTANCES GREATER THAN 20 FEET AWAY CAN AFFECT THE HEATING PERFORMANCE OF THE UNIT)

* HOSES MARKED **A** IN THE ABOVE ILLUSTRATIONS CONNECT TO THE **INLET** WATER CONNECTION OF THE GAS BOOSTER HEATER

** HOSES MARKED **B** IN THE ABOVE ILLUSTRATIONS CONNECT TO THE **OUTLET** WATER CONNECTION OF THE GAS BOOSTER HEATER

SECTION 2: INSTALLATION/OPERATION INSTRUCTIONS

DISHMACHINE OPERATING INSTRUCTIONS

PREPARATION: Before proceeding with the start-up of the unit, verify the following:

1. Close door(s) on dishmachine.
2. Close the drain valve(s).

POWER UP (ELECTRICALLY-HEATED MODELS): To energize the unit, turn on the power at the service breaker. The voltage should have been previously verified as being correct. If not, the voltage will have to be verified.

POWER UP (STEAM-HEATED MODELS): To energize the unit, turn on the power at the service breaker. The voltage should have been previously verified as being correct. If not, the voltage will have to be verified. Ensure that the steam service is connected and that steam is flowing to the machine. Without steam, the water will not reach the required minimum temperatures that the machine is designed to operate at.

POWER UP (GAS-HEATED MODELS): To energize the unit, turn on the power at the service breaker. The voltage should have been previously verified as being correct. If not, the voltage will have to be verified. Ensure that the gas service is connected and that gas is flowing to the machine. Without gas, the water will not reach the required minimum temperatures that the machine is designed to operate at.

FILLING THE WASH TUB: Ensure that the delime switch is in the NORMAL position, and place the power switch into the ON position. The machine should fill automatically and shut off when the appropriate level is reached (just below the pan strainer). The wash tub must be completely filled before operating the wash pump to prevent damage to the component. Once the wash tub is filled, the unit is ready for operation.



Machines equipped with prewash sections should not be run without water in those sections. This can cause damage to components.

WARE PREPARATION: Proper preparation of ware will help ensure good results and less re-washes. If not done properly, ware may not come out clean and the efficiency of the dishmachine will be reduced. It is important to remember that a dishmachine is not a garbage disposal and that simply throwing unscrapped dishes into the machine simply defeats the purpose altogether of washing the ware. Scraps should be removed from ware prior to being loaded into a rack. Pre-rinsing and pre-soaking are good ideas, especially for silverware and casserole dishes. Place cups and glasses upside down in racks so that they do not hold water during the cycle. The dishmachine is meant not only to clean, but to sanitize as well, to destroy all of the bacteria that could be harmful to human beings. In order to do this, ware must be properly prepared prior to being placed in the machine.

DAILY MACHINE PREPARATION: Refer to the section entitled "PREPARATION" at the top of this page and follow the instructions there. Afterwards, check that all of the chemical levels are correct and/or that there is plenty of detergent available for the expected workload.

WASHING A RACK OF WARE: To wash a rack, simply slide a rack of soiled ware into the load end of the machine. Once the machine is started, it should pull the rack through the machine and push it out the unload end. Once a rack has started through, you may put another rack in.

OPERATIONAL INSPECTION: Based upon usage, the pan strainers may become clogged with soil and debris as the workday progresses. Operators should regularly inspect the pan strainers to ensure they have not become clogged. If the strainers do, they will reduce the washing capability of the machine. Instruct operators to clean out the pan strainers at regular intervals or as required by work load.

NOTE: On units equipped with prewash sections (AJ-66 and AJ-80), operators should also take the time to inspect the prewash section strainers and clean them as required by workload.

SHUTDOWN AND CLEANING (ELECTRICALLY-HEATED MODELS): At the end of the workday, place the power switch in the OFF position and open the door(s). Open the drain valves and allow the machine to drain completely. Remove the pawl bar assembly (clean as required). Remove the pan strainers and, if equipped, the prewash strainers, run off sheets and scrap basket strainer. Remove the wash and, if equipped, the prewash arms and verify that the nozzles and arms are free from obstructions. Flush the arms with fresh water. Remove the pump suction strainers and clean out as required. Remove the rinse tray assembly and clean. Remove the curtains and scrub with a mild detergent and warm water. Wipe out the inside of the unit and then reassemble with the components previously removed.

SECTION 2: INSTALLATION/OPERATION INSTRUCTIONS

DISHMACHINE OPERATION INSTRUCTIONS (CONTINUED)

SHUTDOWN AND CLEANING (STEAM-HEATED MODELS): At the end of the workday, place the power switch in the OFF position, secure the flow of steam to the machine and open the door(s). Open the drain valves and allow the machine to drain completely. Remove the pawl bar assembly (clean as required). Remove the pan strainers and, if equipped, the prewash strainers, run off sheets and scrap basket strainer. Remove the wash and, if equipped, the prewash arms and verify that the nozzles and arms are free from obstructions. Flush the arms with fresh water. Remove the pump suction strainers and clean out as required. Remove the rinse tray assembly and clean. Remove the curtains and scrub with a mild detergent and warm water. Wipe out the inside of the unit and then reassemble with the components previously removed.

SHUTDOWN AND CLEANING (GAS-HEATED MODELS): At the end of the work day, shut down the gas booster in accordance with manufacturer's instructions. Place the power switch in the OFF position, secure the flow to the machine and open the door(s). Open the drain valves and allow the machine to drain completely. Remove the pawl bar assembly (clean as required). Remove the pan strainers and, if equipped, the prewash strainers, run off sheets and scrap basket strainer. Remove the wash and, if equipped, the prewash arms and verify that the nozzles and arms are free from obstructions. Flush the arms with fresh water. Remove the pump suction strainers and clean out as required. Remove the rinse tray assembly and clean. Remove the curtains and scrub with a mild detergent and warm water. Wipe out the inside of the unit and then reassemble with the components previously removed.

SECTION 2: INSTALLATION/OPERATION INSTRUCTIONS




CHANGING DUAL SANITIZATION MODE

If the machine has a dataplate like the one shown, which indicates both Hot Water Sanitizing and Chemical Sanitizing operation parameters (the area within dashed box), it is possible to change the sanitizing mode after the machine has left the original manufacturer's facility. This change can only be performed by an authorized Jackson service technician. If the machine does not have a dataplate like the one shown, the sanitization mode **CAN NOT** be changed.

Follow the instructions below to change the mode of sanitization. Failure to follow these instructions can result in a violation of applicable regulatory codes.

DRIVE MECHANISM MAXIMUM SPEED ADJUSTMENT:
 Note: This adjustment is only required when changing from hot water sanitizing to chemical sanitizing mode.

Locate the maximum speed adjustment mechanism at the top of the conveyor drive mechanism (Figure 1). Figure 2 shows an enlarged view of the maximum speed adjustment mechanism. Loosen the Bottom Jam Nut approximately one turn counterclockwise. Move the Top Jam Nut down on the threaded shaft by turning it approximately 1/2 turn counterclockwise. Tighten the Adjustment Nut by turning it clockwise. Retighten the Bottom Jam Nut against the Top Jam Nut.

MODEL: XXXXXXXXX		SERIAL #		XXX XXXX X
60 HZ 3 PHASE 3 WIRE				
		208 V	230 V	460 V
WASH MOTOR	2.0 HP	5.6 A	5.6 A	2.8 A
DRIVE MOTOR	1/4 HP	1.1 A	1.1 A	0.6 A
WASH HEATER LOAD	15 KW	41.7 A	37.7 A	18.8 A
TOTAL AMP LOAD		48.4 A	44.4 A	22.2 A
HOT WATER SANITIZING		CONVEYOR SPEED		CHEMICAL SANITIZING
6.9 FPM				6.5 FPM
160° F MIN.		WASH TANK TEMPERATURE		140° F MIN.
180° F MIN.		FINAL RINSE TEMPERATURE		140° F MIN.
20 ± 5 PSI		FLOW PRESSURE		20 ± 5 PSI
NOTE: SEE INSTRUCTION IN MANUAL FOR MODIFYING MODE OF SANITIZATION.				
 C UL US LISTED Commercial Dishwasher 597G		 NSF		US Patent Number(s): 6,012,567 Canadian Patent Number(s): 2,205,331
 C SA US		Made in the USA Jackson MSC Inc. P. O. Box 1060 Barbourville, KY. 40906 (606) 523-9795 09905-021-70-81 E		

Please note the parameters for both modes of sanitization. If your data plate has this information, it is convertible from one mode to another.



Figure 1: Drive Mechanism

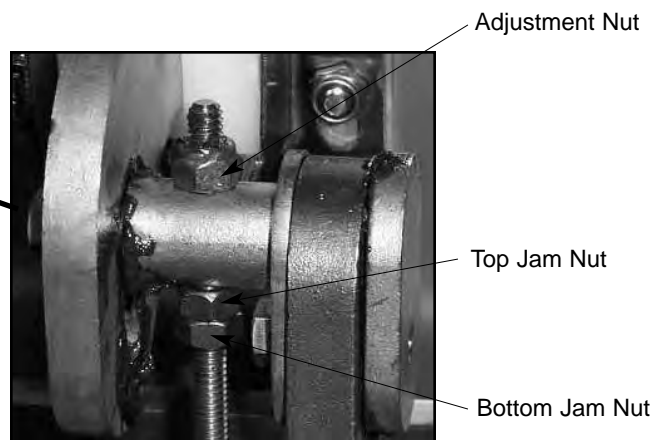


Figure 2

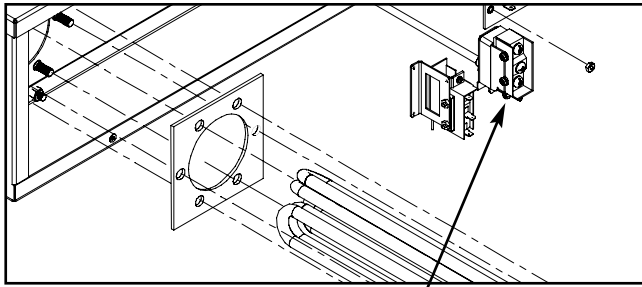
SECTION 2: INSTALLATION/OPERATION INSTRUCTIONS

CHANGING DUAL SANITIZATION MODE (CONTINUED)

THERMOSTAT ADJUSTMENT: Remove the front dress panel from the machine to expose the heater/thermostat box. Remove the cover from the heater/thermostat box. Locate the wash tank regulating thermostat (see diagram).



Front Dress Panel



Wash Thermostat

The wash tank regulating thermostat will maintain the correct wash water temperature. NSF requirements specify that the wash water during operation be 140°F minimum in the chemical sanitizing mode and 160°F minimum in the hot water sanitizing mode. Adjust the thermostat to achieve the required minimum temperatures during operation. Turn the adjustment screw clockwise to increase the temperature set point, counterclockwise to decrease the temperature set point.

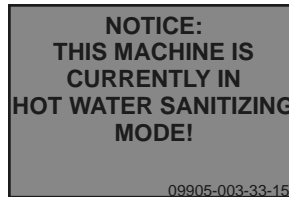
Replace heater/thermostat box cover and front dress panel.



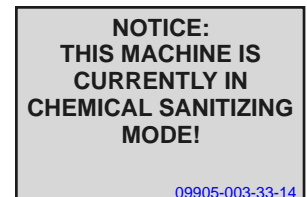
Control Box Gauge Location

IDENTIFICATION OF SANITIZING MODE: Apply the correct temperature gauge label to the face of the temperature gauges. In the chemical sanitizing mode, the temperature gauge labels must specify 140°F minimum wash temperature and 140°F minimum rinse temperature. In the hot water sanitizing mode, the temperature gauge labels must specify 160°F minimum wash temperature and 180°F minimum rinse temperature.

Apply the correct sanitizing mode label in a visible location on the side of the control box.



Orange background



Yellow background

INSTALL SANITIZER DISPENSER: For machines in the chemical sanitizing mode, a NSF Standard 29 approved chemical dispenser must be installed to dispense sanitizer into the final rinse line. Follow instructions included with the chemical dispenser. The system selected must be able to provide detergent and sanitizer in the required concentrations.

The minimum chlorine concentration for proper sanitization is 50 PPM. Furthermore, the selected feeder needs to be able to operate against a head of 25 PSI and deliver 7.38 ml of a 10% chlorine sanitizer per minute.

FINAL CHECK: Verify that the incoming water matches the flow pressure and temperature requirements listed on the machine data plate. Verify that minimum wash and rinse temperatures are maintained during operation.

SECTION 2: INSTALLATION/OPERATION INSTRUCTIONS

DETERGENT CONTROL

Detergent usage and water hardness are two factors that contribute greatly to how efficiently your dishmachine will operate. Using detergent in the proper amount can become, in time, a source of substantial savings. A qualified water treatment specialist can tell you what is needed for maximum efficiency from your detergent, but you should still know some basics so you'll understand what they are talking about.

First, you must understand that hard water greatly effects the performance of the dishmachine. Water hardness is the amount of dissolved calcium and magnesium in the water supply. The more dissolved solids in the water, the greater the water hardness. Hard water works against detergent, thereby causing the amount of detergent required for washing to increase. As you use more detergent, your costs for operating the dishmachine will increase and the results will decrease. The solids in hard water also may build-up as a scale on wash and rinse heaters, decreasing their ability to heat water. Water temperature is important in removing soil and sanitizing dishes. If the water cannot get hot enough, your results may not be satisfactory. This is why Jackson recommends that if you have installed the machine in an area with hard water, that you also install some type of water treatment equipment to help remove the dissolved solids from the water before it gets to the dishmachine.

Second, hard water may have you adding drying agents to your operating cycle to prevent spotting, when the real problem is deposited solids on your ware. As the water evaporates off of the ware, the solids will be left behind to form the spotting and no amount of drying agent will prevent this. Again, using treated water will undoubtedly reduce the occurrences of this problem.

Third, treated water may not be suitable for use in other areas of your operation. For instance, coffee made with soft water may have an acid or bitter flavor. It may only be feasible to install a small treatment unit for the water going into the dishmachine itself. Discuss this option with your qualified water treatment specialist.

Even after the water hardness problems have been solved, there still must be proper training of dishmachine operators in how much detergent is to be used per cycle. Talk with your water treatment specialist and detergent vendor and come up with a complete training program for operators. Using too much detergent has as detrimental effects as using too little. The proper amount of detergent must be used for job. It is important to remember that certain menu items may require extra detergent by their nature and personnel need to be made aware of this. Experience in using the dishmachine under a variety of conditions, along with good training in the operation of the machine, can go a long way in ensuring your dishmachine operates as efficiently as possible.

Certain dishmachine models require that chemicals be provided for proper operation and sanitization. Some models even require the installation of third-party chemical feeders to introduce those chemicals to the machine. Jackson does not recommend or endorse any brand name of chemicals or chemical dispensing equipment. Contact your local chemical distributor for questions concerning these subjects.

Some dishmachines come equipped with integral solid detergent dispensers. These dispensers are designed to accommodate detergents in a certain sized container. If you have such a unit, remember to explain this to your chemical distributor upon first contacting them.

As explained before, water temperature is an important factor in ensuring that your dishmachine functions properly. The data plate located on each unit details what the minimum temperatures must be for either the incoming water supply, the wash tank and the rinse tank, depending on what model of dishmachine you have installed. These temperatures may also be followed by temperatures that Jackson recommends to ensure the highest performance from you dishmachine. However, if the minimum requirements are not met, the chances are your dishes will not be clean or sanitized. Remember, a dish can look clean, but it may not be sanitized. Instruct your dishmachine operators to observe the required temperatures and to report when they fall below the minimum allowed. A loss of temperature can indicate a much larger problem such as a failed heater or it could also indicate that the hot water heater for your operation is not up to capacity and a larger one may need to be installed.

There are several factors to consider when installing your dishmachine to ensure that you get the best possible results from it and that it operates at peak efficiency for many years. Discuss your concerns with your local chemical distributor and water treatment specialist before there is a problem.

SECTION 2: INSTALLATION/OPERATION INSTRUCTIONS

STRIKER PLATE LIMIT SWITCH INSTALLATION INSTRUCTIONS

Installation Instructions:

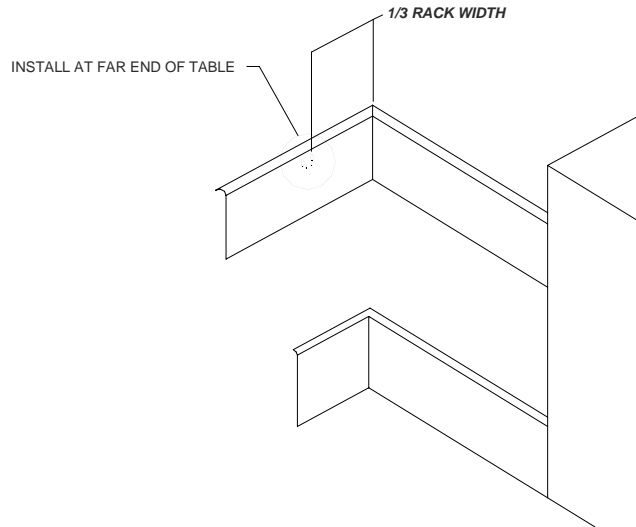
1. Wiring: The switch is wired common and normally open because of the hinge design. By interrupting the line in series with the door switches, the dishmachine ceases to operate. Refer to the machine schematic for details on how to wire the switch.

2. Parts of the table switch are mounted in the dishtable, at the end of the table and under the table. See the drawing(s) for the relationship of the switch to the table.

3. Move the limit switch as far down on the two slots as possible and see that the limit switch is straight on the base plate. This might require adjustment of the nut on the connector for the limit switch.

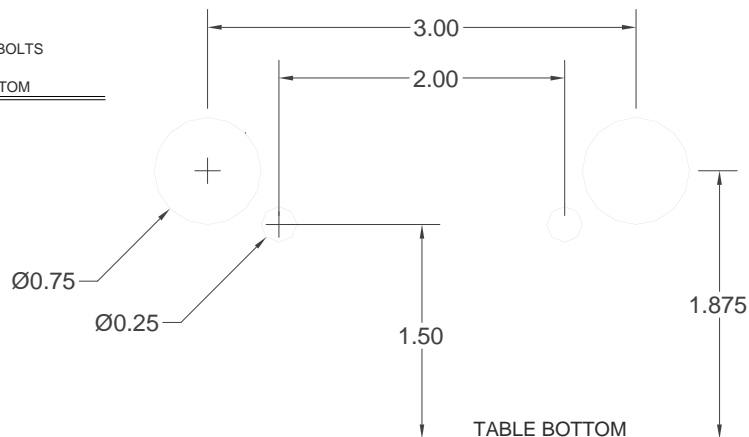
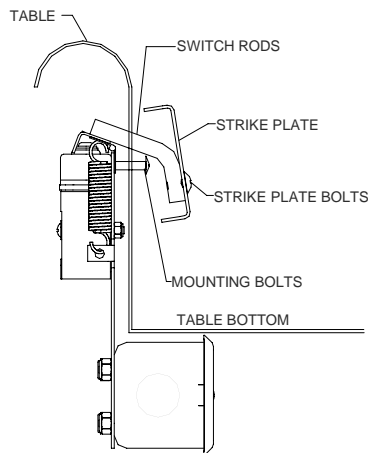
4. Then adjust the inside and the outside connector nuts for the connector box so that it lines up even with the limit switch and the base plate.

5. Tighten down the nuts for the seal so that they are tight.



6. If you have any difficulty you might have to adjust the connectors to the seal, screwing in or screwing out until the installation is straight on the table and the limit switch is actuated correctly by the rack.

TABLE LIMIT SWITCH THROUGH ROD HOLES



Unless noted, all dimensions are in inches.

SECTION 3: PREVENTATIVE MAINTENANCE

SECTION 3: PREVENTATIVE MAINTENANCE

PREVENTATIVE MAINTENANCE

The dishmachines covered in this manual are designed to operate with a minimum of interaction with the operator. However, this does not mean that some items will not wear out in time. Jackson highly recommends that any maintenance and repairs not specifically discussed in this manual should be performed by **QUALIFIED SERVICE PERSONNEL ONLY**. Performing maintenance on your dishmachine may void your warranty if it is still in effect, so if you have a question or concern, do not hesitate to contact Jackson.

There are many things that operators can do to prevent catastrophic damage to the dishmachine. One of the major causes of component failure has to do with prescraping procedures. A dishmachine is not a garbage disposal; any large pieces of material that are put into the machine shall remain in the machine until they are either broken up (after spreading out on your ware!) or physically removed. Strainers are installed to help catch debris, but they do no good if they are clogged. Have operators regularly inspect the pan strainers to ensure (1) that they are free of soil and debris and (2) they are laying flat in the tub.

When cleaning out strainers, do **NOT** beat them on waste cans. The strainers are made of metal and can be forgiving; but once severe damage is done, it is next to impossible for the strainer to work in the way it was designed to. Wipe out strainers with a rag and rinse under a faucet if necessary. For stubborn debris, a toothpick should be able to dislodge any obstructions from the perforations. Always ensure that strainers are placed back in the machine before operation and that they lay flat in the tub.

You may wish to also refer to the page entitled "Detergent Control" in order to learn more about how your water hardness will effect the performance of your machine. Hard water makes dishmachines work harder and decreases efficiency.

Again, it is important to remind operators that trying to perform corrective maintenance on the dishmachine could lead to larger problems or even cause harm to the operator. If a problem is discovered; secure the dishmachine using proper shut down procedures as listed in this manual and contact Jackson.

Some problems, however, may have nothing to do with the machine itself and no amount of preventative maintenance is going to help. A common problem has to do with temperatures being too low. Verify that the water temperatures coming to your dishmachine match the requirements listed on the machine data plate. There can be a variety of reasons why your water temperature could be too low and you should discuss it with Jackson to determine what can be done.

By following the operating and cleaning instructions in this manual, you should get the most efficient results from your machine. As a reminder, here are some steps to take to ensure that you are using the dishmachine the way it was designed to work:

1. Ensure that the water temperatures match those listed on the machine data plate.
2. Ensure that all strainers are in place before operating the machine.
3. Ensure that all wash and/or rinse arms are secure in the machine before operating.
4. Ensure that drains are closed/sealed before operating.
5. Remove as much soil from dishes by hand as possible before loading into racks.
6. Do not overfill racks.
7. Ensure that glasses are placed upside down in the rack.
8. Ensure that all chemicals being injected to machine have been verified as being at the correct concentrations.
9. Clean out the machine at the end of every workday as per the instructions in the manual.
10. Always contact Jackson whenever a serious problem arises.
11. Follow all safety procedures, whether listed in this manual or put forth by local, state or national codes/regulations.

SECTION 3: PREVENTATIVE MAINTENANCE

D226 MAINTENANCE



WARNING: Maintenance should only be performed by authorized service personnel in order to ensure safe and effective workmanship, while minimizing danger to operating personnel. The D226 Steam Booster is designed to operate at temperatures capable of causing burns to personnel. Always allow the unit to cool down to an acceptable temperature prior to performing any maintenance.

Very little maintenance is required to be performed on the D226 Booster. So long as the steam and water used with the unit have the proper filtration and are operated at the correct temperature and pressures, then you should expect many years of reliable service out of your system.

MAINTENANCE OF THE WATER PRESSURE REGULATOR:

Incoming water pressure can be regulated by adjusting the water pressure regulator on the system. In order to adjust pressure, loosen the top nut on the regulator. This will allow you to turn the adjusting screw. Turn the adjusting screw clockwise to increase pressure and counter-clockwise to decrease. Pressure can be read on the pressure gauge located on the water outlet side of the heat exchanger. Once the desired pressure is achieved, tighten the top nut to ensure that the adjustment cannot be accidentally changed.

The water pressure regulator has an internal strainer that can be removed through the bottom hexagonal plug. This may need to be periodically checked depending on the water quality. It is important that the water supply to the water pressure regulator be secured prior to trying to clean the strainer.

MAINTENANCE OF THE RELIEF VALVES, SAFETY VALVES AND THERMOSTAT:

These components are shipped from the factory preset and should not be tampered with. None of these components are considered adjustable and no attempt should be made to do so. If a component does not appear to be working properly, then it should be replaced immediately by an authorized service representative.

SECTION 3: PREVENTATIVE MAINTENANCE

LUBRICATION CHART FOR DRIVE GEAR

Note: The maintenance procedures detailed here are manufacturer's instructions for the WINSMITH brand of gear reducer that is installed on the rack conveyors covered in this manual.

Ambient Temperature	-30 - 15°F	16 - 50°F	51 - 95°F	51 - 95°F	96 - 131°F	96 - 131°F
Final Stage Worm Speed ¹	up to 2000 FPM	up to 2000 FPM	up to 450 FPM	above 450 FPM	up to 450 FPM	above 450 FPM
ISO Viscosity Grade	220	460	680	460	680	460 ¹
AGMA Lubricant No.	5S	#7 Compounded	#8 Compounded	#7 Compounded	8S	7S
Mobil	SHC 630	600W Super Cylinder	Extra Hecla Super	600W Super Cylinder	SHC 636	SHC 634
American Lubricants	SHC-90W	AGMA #7 Gear Oil	AGMA #8 Gear Oil	AGMA #7 Gear Oil	N/A	N/A
Castrol	Tribol 800/220	Tribol 1105-7C	Tribol 1105-8C	Tribol 1105-7C	Tribol 800/680	Tribol 800/460
Chevron	Tegra 220	Cylinder Oil W460	Cylinder Oil W680	Cylinder Oil W460	Tegra 680	Tegra 460
Conoco	Syncon R & O 220	Inca Oil 460	Inca Oil 680	Inca Oil 460	N/A	Syncon R & O 460
Exxon (Esso)	Teresstic SHP220	Spartan EP 460	Spartan EP 680	Spartan EP 460	Teresstic SHP 680	Teresstic SHP 460
Fiske Brothers	SPO-MG	SPO-277	SPO-288	SPO-277	N/A	N/A
Shell	Omala RL 220	Valvata J 460	Valvata J 680	Valvata J 460	Omala RL 680	Omala RL 460
Texaco	Pinnacle 220	Vanguard 460	Vanguard 680	Vanguard 460	Pinnacle 680	Pinnacle 460

(1) The sliding velocity in feet per minute (FPM) for standard ratios is determined by multiplying the speed of the worm in RPM by the factor from the table below. For selecting proper lubricant, use the speed of the worm in the final stage (input RPM divided by the first stage ratio).

SECTION 3: PREVENTATIVE MAINTENANCE

DRIVE MOTOR GEAR REDUCER PREVENTATIVE MAINTENANCE

Note: The maintenance procedures detailed here are manufacturer's instructions for the WINSMITH brand of gear reducer that is installed on the rack conveyors covered in this manual.

Lubrication & Maintenance:

Factory filling - WINSMITH speed reducers are oil filled at the factory to the proper level for the standard mounting position that you will find it in on the unit. The oil level should be checked and adjusted (if necessary) prior to operation, using the oil level plug provided and while the unit is oriented in its operating position.

Ambient temperature - If the operating ambient temperature is other than 51 - 95°F, then refer to the lubrication chart and refill the unit with the correct grade based on actual ambient temperature and operating speed. See "Oil changing" below for additional information.

Oil changing - When changing the oil for any reason, it should be remembered that oils of various types may not be compatible. Therefore, when changing to a different oil, it is recommended that the housing be completely drained and thoroughly flushed with a light flushing oil prior to refilling with the appropriate lubricant. The oil level should be rechecked after a short period of operation and adjusted, if necessary. When changing double reduction models, each housing should be drained and filled independently, even though there may be a common level.

Initial oil change: The new oil in a speed reducer should be changed at the end of 250 hours of operation. This is equivalent to 30 days of operation for 8 hours per day; 15 days of operation for 16 hours per day, or 10 days of operation for 24 hours per day.

Subsequent oil changes: Under normal conditions, after the initial oil change, the oil should be changed after every 2500 hours of operation, or every 6 months, whichever occurs first. Under severe conditions (rapid temperature changes, moist, dirty or corrosive environment) it may be necessary to change oil at intervals of one to three months. Periodic examination of oil samples taken from the unit will help establish the appropriate interval.

Synthetic oils: Synthetic lubricants can be advantageous over mineral oils in that they generally are more stable, have a much longer life, and operate over a wider temperature range. These oils are appropriate for any application but are especially useful when units are subjected to low start-up temperatures or high operating temperatures. However, continuous operation above 225°F may cause damage to seals or other components. It is recommended that the initial oil be changed or filtered after the first 1500 hours of operation to remove metal particles that accumulate during break-in. Subsequent oil changes should be made after 5000 hours operation if units are operating in a clean environment. This can be extended to 10,000 hours if using new reformulated Mobil SHC lubricants (orange in color) and the lubricant remains free of contamination over this period. See comments under "Subsequent oil changes" for discussion of severe ambient conditions.

Long term storage or infrequent operation: If a speed reducer is to stand idle for an extended period of time, either prior to installation or during use, it is recommended that the unit be filled completely with oil to protect interior parts from rust and corrosion due to internal condensation. Be sure to drain the oil to the proper level before placing the speed reducer in service.

Grease fittings: Some units are equipped with grease fittings to lubricate bearings not adequately lubricated by the oil splash. These fittings must be lubricated every 3 - 6 months depending on operating conditions. bearing greases must be compatible with the type of gear lubricant being used (i.e. mineral, synthetic, food grade, etc.). For mineral oils, use a high quality lithium base NLGOI #2 bearing grease. For synthetic oils, use a synthetic bearing grease such as Mobil Synthetic Universal grease, Mobilith SHC 100 or a suitable equivalent. For food grade lubricants, use Chevron FM grease, NGLI 2, or equivalent.

Low input speeds (under 1600 RPM): When input speeds are less than 1600 RPM, grease fittings will be required to lubricate any bearings not partially covered by the normal oil level.

Oil temperature: Speed reducers in normal operation can generate temperatures up to 200°F depending on the type of reducer and the severity of the application (loading, duration of service, ambient temperatures). Excessive oil temperatures may be the result of several factors including overloading, overfilling, underfilling or inadequate cooling.

Size	Nominal Ratio											
	5	7.5	10	15	20	25	30	40	50	60	80	100
920	0.347	0.263	0.225	0.216	0.202	0.191	0.215	0.200	0.188	0.182	0.164	0.161

Lubricant selections are provided by the lubricant manufacturer based on AGMA recommended viscosity grades. Viscosity grades are based on Lubrication Standard ANSI/AGMA 9005-D94.

SECTION 4: TROUBLESHOOTING SECTION

SECTION 4: TROUBLESHOOTING

COMMON PROBLEMS



WARNING: Inspection, testing and repair of electrical equipment should be performed only by qualified service personnel. Certain procedures in this section require electrical tests or measurements while power is applied to the machine. **Exercise extreme caution at all times.** If test points are not easily accessible, disconnect power, attach test equipment and reapply power to test. When replacing electrical parts, disconnect power at source circuit breaker

Problem: Nothing on dishmachine operates. The power switch is ON and the power indicator light is OFF.

1. Machine is not wired correctly to incoming power source. Have an electrician verify wiring.
2. Machine circuit breaker is tripped. Reset the circuit breaker. If it trips again, contact an electrician to verify the machine amp draw.
3. Service breaker is tripped. Reset the service breaker. If it trips again, contact an electrician to verify the machine amp draw.

Problem: Machine will not fill. The power switch is ON and the power indicator light is ON.

1. No water supply to machine. Verify that water lines have been connected to the machine.
2. Dishmachine doors are not closed. Close doors completely.
3. Incoming water solenoid valve damaged/faulty. Verify that the valve is operating. If not, replace.
4. Tank floats faulty. Verify the wiring of the floats. Verify that no debris is jamming the floats. Replace if necessary.

Problem: Machine fills, but fill is weak.

1. Low incoming water pressure. Verify that incoming water pressure during fill is 20 ± 5 PSI.
2. Incoming water solenoid is clogged. Verify that debris is not entrapped in valve. If so, remove debris.

Problem: Low wash tank temperature.

1. Low incoming water temperature. Verify that the incoming water temperature matches what is indicated on the machine data plate.
2. Heater not energizing. Verify that the wash tank heater is operating. If not, replace.
3. Low incoming voltage. Have an electrician verify that the power coming to the machine is the same as indicated on the data plate.

Problem: Low wash arm pressure, poor spray pattern.

1. Clogged wash arm nozzles. Verify that nozzles are not clogged with debris. If so, remove debris.
2. Clogged wash tank or wash pump strainers. Clean out strainers if necessary.
3. Worn wash pump impeller. Verify status of impeller, replace if necessary.

Problem: Low prewash arm pressure, poor spray pattern.

1. Clogged prewash arm nozzles. Verify that nozzles are not clogged with debris. If so, remove debris.
2. Clogged prewash tank or prewash pump strainers. Clean out strainers if necessary.
3. Worn prewash pump impeller. Verify status of impeller, replace if necessary.

Problem: Inadequate rinse.

1. Low incoming water pressure. Verify that incoming water pressure during fill is 20 ± 5 PSI.
2. Incoming water solenoid is clogged. Verify that debris is not entrapped in valve. If so, remove debris.

Problem: Pawl bar moves with no load, but does not move when loaded.

1. Clutch on drive assembly is out of adjustment. Adjust as required.

SECTION 4: TROUBLESHOOTING

COMMON PROBLEMS

Problem: Pawl bar does not move.

1. Failed or broken overload spring. Replace spring if necessary.
2. No power to the drive motor/failed drive motor. Verify power and wiring connections to the motor. If necessary, replace the motor.
3. Pawl bar not properly installed. Verify that the pawl bar is installed correctly.

Problem: Racks go through the machine, but results are poor.

1. Verify that detergent is being dispensed into the machine at the appropriate quantities for the water volume. If not, get detergent to appropriate level and review results of washing ware.
2. Clogged strainers/scrap basket. Clean out strainers and scrap basket and replace.
3. Ware not being properly prescrapped. Review paragraph entitled "Ware Preparation" in Operating Instructions.
4. Wash or rinse arms missing end plugs or caps. Verify and replace as required.
5. Low tank heat.
6. Inadequate rinse.
7. Incorrect voltage coming to the machine. Verify that the voltage matches that on the machine data plate.
8. Wash pump cavitation due to low water level. Verify that the drains are shut and that the water level is correct.

Problem: Spotting of silverware, glasses and dishes.

1. Incorrect final rinse temperature. Verify that the rinse water temperature matches that which is listed on the machine data plate.
2. Clogged wash and/or rinse nozzles and arms. Remove the arms and verify that they and their nozzles are free from debris.
3. Excessively hard water. Install a water softener to reduce hardness.
4. Loss of water pressure due to clogged/obstructed wash pump. Turn the power off to the machine at the source. Drain the wash tank of water and verify that the pump intake is free from debris.
5. Improper scrapping procedures. Review the paragraph entitled "Ware Preparation" in Operating Instructions.
6. incorrect detergent/chemical concentrations. Verify that the detergent/chemical concentrations are correct for the associated water volume.

TORQUE SETTINGS

When replacing components either in the control box or the heater box area, the manufacturer has suggestions on how much to torque the screws and nuts used in securing items to the machine. Refer to the table below for the torque specifications:

<u>ITEMS</u>	<u>TORQUE SPEC</u>
Relays	16 In/lbs
Heater Contactor	35 In/lbs
Heater Nuts	16 In/lbs
Terminal Block	50 In/lbs

SECTION 4: TROUBLESHOOTING

D226 COMMON PROBLEMS



WARNING: Inspection, testing and repair of electrical equipment should be performed only by qualified service personnel. Certain procedures in this section require electrical tests or measurements while power is applied to the machine. **Exercise extreme caution at all times.** If test points are not easily accessible, disconnect power, attach test equipment and reapply power to test. When replacing electrical parts, disconnect power at source circuit breaker

Problem: Power light does not illuminate.

1. Power not connected to the unit through the control box. Open the control box cover and verify that incoming power lines are connected and light.
2. Service breaker tripped or open. Verify that the breaker is closed.
3. Power switch connections could be loose. Ensure that the connections are of sound quality.
4. Power switch is faulty. Replace the power switch.
5. Power light is faulty. Replace the light.

Problem: Water pressure is too low.

1. Water pressure regulator is out of adjustment. Follow the instructions provided in the maintenance section and adjust so that the flow pressure is 20 ± 5 PSI.
2. Water pressure regulator internal strainer is clogged. Clean in accordance with the instructions provided in the maintenance section.
3. Water pressure regulator is faulty. Replace the regulator.
4. Water pressure gauge is faulty or the cut off from the system. Verify that the test cock valve under the gauge is open to allow for the sensing of line pressure. Replace gauge if necessary.
5. Heat exchanger is clogged. Replace the heat exchanger.

Problem: Solenoid valve is not opening/shutting.

1. Power not connected to the unit through the control box. Open the control box cover and verify that incoming power lines are connected and light.
2. Service breaker tripped or open. Verify that the breaker is closed.
3. Power switch connections could be loose. Ensure that the connections are of sound quality.
4. Power switch is faulty. Replace the power switch.
5. Thermostat is faulty. Replace the thermostat.
6. Solenoid wires are loose or broken. Verify that the electrical connections are of sound quality.
7. Faulty solenoid coil. Replace the solenoid.

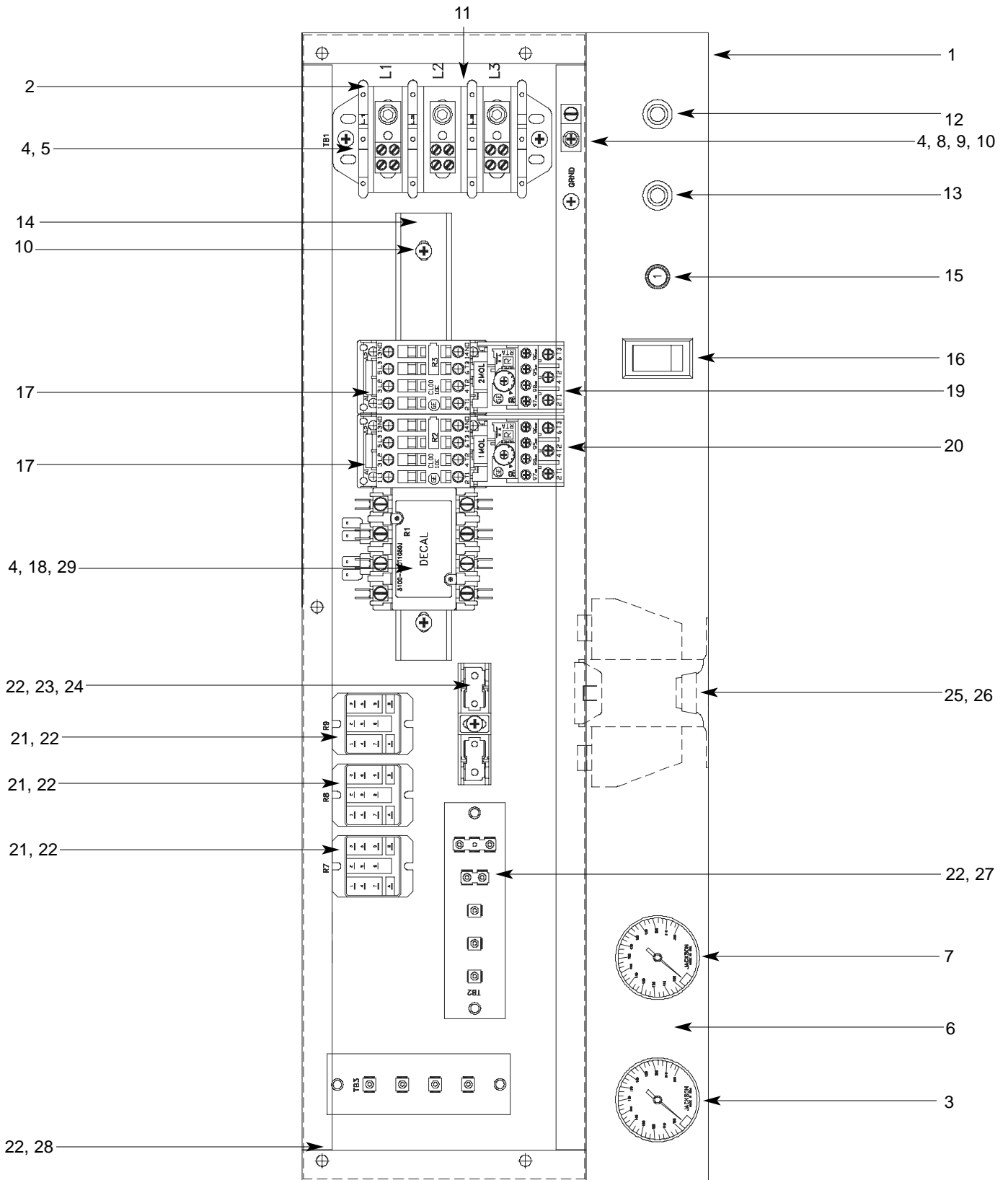
Problem: Outlet water temperature too low.

1. Power not connected to the unit through the control box. Open the control box cover and verify that incoming power lines are connected and light.
2. Service breaker tripped or open. Verify that the breaker is closed.
3. Power switch connections could be loose. Ensure that the connections are of sound quality.
4. Power switch is faulty. Replace the power switch.
5. Thermostat is faulty. Replace the thermostat.
6. Solenoid wires are loose or broken. Verify that the electrical connections are of sound quality.
7. Faulty solenoid coil. Replace the solenoid.
8. Steam flow pressure is too low for the unit. Verify that the steam flow is 15-25 PSIG.
9. Water flow pressure is too high. Follow the instructions provided in the maintenance section and adjust so that the flow pressure is 20 ± 5 PSI.
10. Heat exchanger is clogged. Replace the heat exchanger.
11. Insufficient volume of steam to unit. Check the line size and flow pressure.

SECTION 5: PARTS SECTION

SECTION 5: PARTS SECTION

AJ-44 CONTROL BOX ASSEMBLY



SECTION 5: PARTS SECTION
AJ-44 CONTROL BOX ASSEMBLY (CONTINUED)

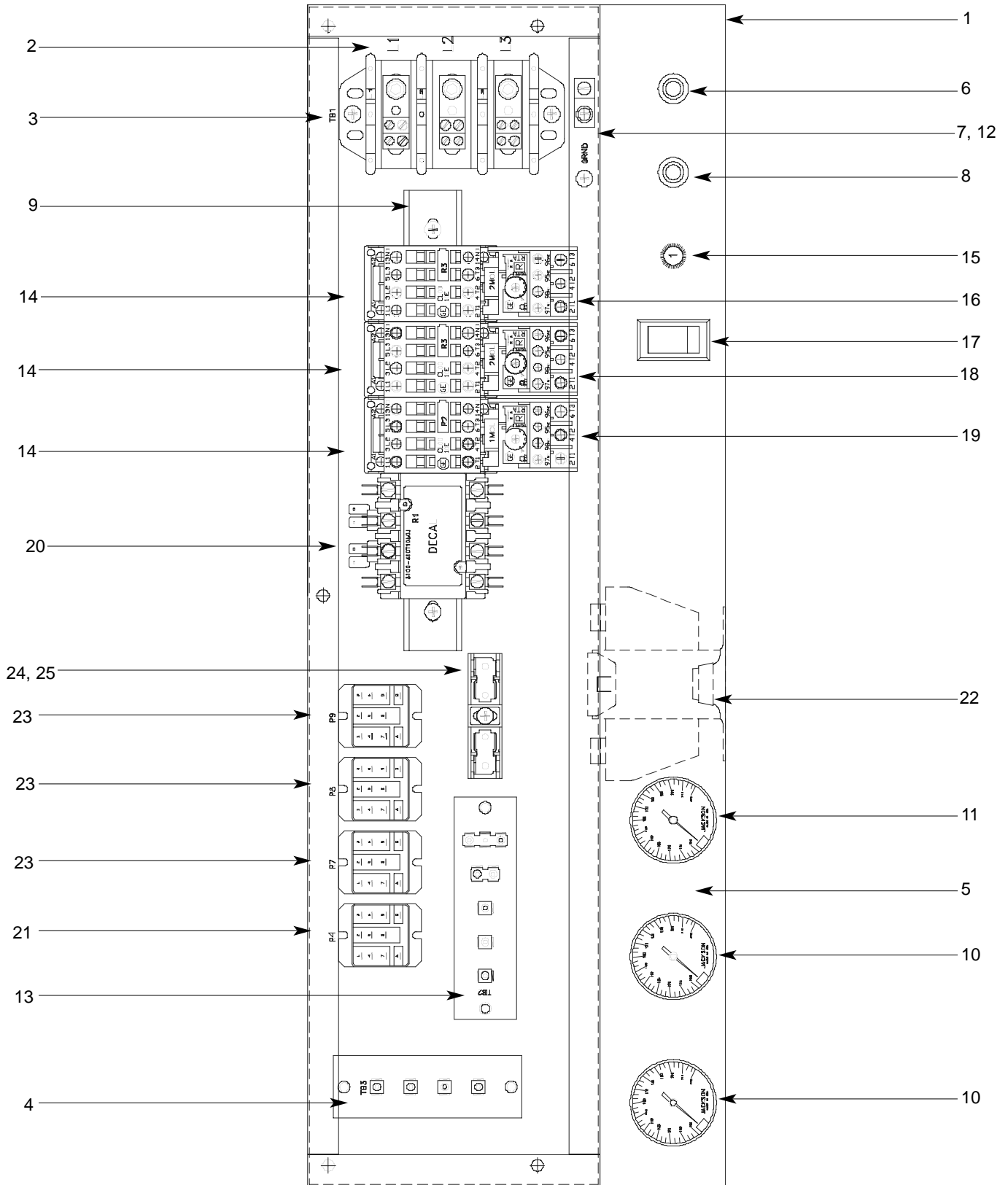
ITEM	QTY	DESCRIPTION	Mfg. No.
1	1	Electrical Box Weldment	05700-041-88-43
2	1	Terminal Block, 3 Pole	05940-011-48-27
3	1	Thermometer, 96" Lead	06685-111-68-49
4	6	Star Washer, External Tooth, 10-24	05311-273-02-00
5	6	Screw, 10-32 x 3/4" Long Phillips Trusshead	05305-011-62-17
6	1	Decal, Gauge	09905-021-72-29
7	1	Thermometer, 48" Lead	06685-111-68-48
8	1	Wire Lug, 2 AWG to 14 AWG	05940-200-76-00
9	1	Decal, Ground	09905-011-86-86
10	1	Screw, 10-32 x 1/2" Long Phillips Trusshead	05305-011-39-36
11	1	Decal, L1-L2-L3	09905-101-12-66
12	1	Light, Amber	05945-111-44-44
13	1	Light, Red	05945-111-44-45
14	1	Din Rail	05700-021-72-75
15	1	Circuit Breaker (200-380 Volt, 60 Hz Models Only)	5925-011-68-34
15	1	Circuit Breaker (CGP Models Only)	5925-111-64-18
16	1	Switch, ON/FILL - OFF/DRAIN	05930-301-46-00
17	2	Motor Contactor	05945-111-68-38
18	1	Heater Contactor	05700-011-71-44
19	1	Overload	See Chart
20	1	Overload	See Chart
21	3	Control Relay	05945-111-35-19
22	12	Screw, 6-32 x 3/8" Long Round Phillipshead	05305-171-02-00
23	1	Fuse (380 Volt-460 Volt, (all 60 Hz) Models Only)	5920-011-72-88
	1	Fuse, 600 Volt Models Only	5920-002-75-95
24	1	Fuse Holder for (23) Above	5920-011-72-89
25	1	Transformer	
		200 Volt Model	05950-002-41-47
		208-220-230-460 Volt Models	05950-011-68-35
		208-220-230-460 Volt CGP Models	05950-002-46-10
		380-415 Volt Models	05950-011-75-59
		600 Volt Model	05950-002-23-77
26	4	Locknut, 10-24 with Nylon Insert	05310-373-01-00
27	1	Terminal Board	05940-002-78-97
28	1	Terminal Board	05940-021-89-41
29	3	Screw, 10-32 x 3/8" Long Phillips Trusshead	05305-173-12-00
30	2	Control Relay (CGP Models Only (Not Shown))	05945-111-72-51

MISCELLANEOUS PARTS NOT SHOWN:

Grommet, 1/2" OD x 3/8" ID	05325-011-46-73
Bushing, Heyco SB100	05975-210-09-00
Plug, Heyco 2700 G-875	05975-011-47-81
Control Box Cover	05700-031-66-88
Control Box Cover Hinge Weldment	05700-021-68-57
Control Hinge Rod	05700-011-68-58
Washer, Flat, S/S, 1/4" ID	05311-174-01-00
Cotter Pin	05315-011-68-56
MANUAL/DELIME Switch (located on rear of control box)	05930-301-22-18
MANUAL/DELIME Switch Decal (located on rear of control box)	09905-011-74-61
Copper Conductors Only Decal	09905-011-47-35
Control Box Leg	05700-011-71-47
Bolt, 1/4"-20 x 2-1/2" Long Hex Head	05306-011-83-52
Locknut, 1/4"-20 with Nylon Insert	05310-374-01-00
Component Mounting Plate (located inside the control box)	05700-031-67-03
Conduit Bracket	05700-021-70-88

SECTION 5: PARTS SECTION

AJ-66 & AJ-80 CONTROL BOX ASSEMBLY



SECTION 5: PARTS SECTION

AJ-66 & AJ-80 CONTROL BOX ASSEMBLY (CONTINUED)

ITEM	QTY	DESCRIPTION	Mfg. No.
1	1	Electrical Box Weldment	05700-041-88-50
2	1	Decal, L1-L2-L3	09905-101-12-66
3	1	Terminal Block	05940-011-48-27
4	1	Terminal Board	05940-021-89-41
5	1	Decal, Gauge	09905-021-72-30
6	1	Light, Amber	05945-111-44-44
7	1	Wire Lug, 2 AWG to 14 AWG	05940-200-76-00
8	1	Light, Red	05945-111-44-45
9	1	Din Rail	05700-021-72-75
10	2	Thermometer, 96" Lead	06685-111-68-49
11	1	Thermometer, 48" Lead	06685-111-68-48
12	1	Decal, Ground	09905-011-86-86
13	1	Terminal Board	05940-002-78-97
14	3	Motor Contactor	05945-111-68-38
15	1	Circuit Breaker (200/208/230/360 Volt, 60 Hz Models Only)	5925-011-68-34
15	1	Circuit Breaker (CGP Models Only)	5925-111-64-18
16	1	Overload	See Chart
17	1	Switch, ON/FILL & OFF/DRAIN	05930-301-46-00
18	1	Overload	See Chart
19	1	Overload	See Chart
20	1	Heater Contactor (for non-steam units)	05945-002-24-70
21	1	Relay	05945-111-72-51
22	1	Transformer (200 Volt Models Only)	05950-002-41-47
		Transformer (208/220/230/460 Models Only)	05950-011-68-35
		208-220-230-460 Volt CGP Models	05950-002-66-10
		Transformer (380/415 Volt Models Only)	05950-011-75-59
		Transformer (600 Volt Models Only)	05950-002-23-77
23	3	Control Relay	05945-111-35-19
24	1	Fuse Holder (380 (60 Hz)/460/600 Volt Models Only)	5920-011-72-89
25	1	Fuse (380 (60 Hz)/460 Volt Models Only)	5920-011-72-88
	1	Fuse (600 Volt Models Only)	5920-002-75-95
26	2	Control Relay (CGP Models (Not Shown))	05945-111-72-51

MISCELLANEOUS PARTS NOT SHOWN:

Manual/Delime Switch	05930-301-22-18
Manual/Delime Switch Decal	09905-011-74-61
Decal, High Limit Warning Light	09905-002-49-48
Transformer, 150V, 60 Cycle	05950-011-68-35
Control Box Cover	05700-031-66-88
Control Box Leg	05700-011-71-47
Conduit Bracket	05700-021-70-88

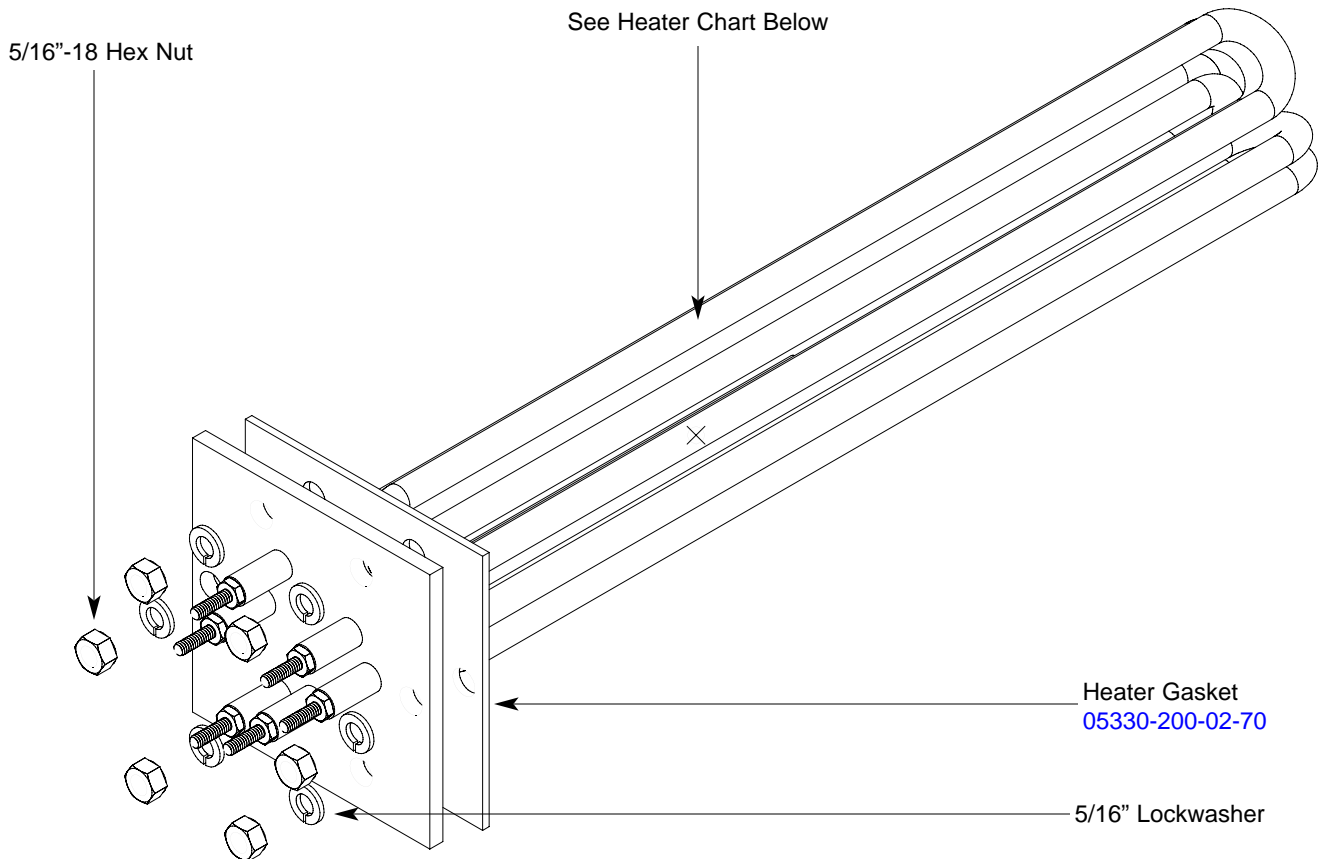
SECTION 5: PARTS SECTION

MOTOR OVERLOAD CHART

<u>Model</u>	<u>Volts</u>	<u>Hz</u>	<u>Phase</u>	<u>Drive Motor</u>	<u>Prewash Motor</u>	<u>Wash Motor</u>	
AJ-44'S	208	50	3	05945-011-84-59	N/A	05945-111-68-40	
	220	50	3	05945-011-84-59	N/A	05945-111-68-40	
	230	50	3	05945-011-84-59	N/A	05945-111-68-40	
	380	50	3	05945-002-71-09	N/A	05945-111-68-40	
	415	50	3	05945-111-69-12	N/A	05945-111-81-33	
	440	50	3	05945-111-69-12	N/A	05945-111-81-33	
	208	60	1	N/A	N/A	N/A	
	230	60	1	N/A	N/A	N/A	
	200	60	3	05945-002-66-00	N/A	05945-002-65-99	
	208	60	3	05945-111-68-39	N/A	05945-111-68-40	
	230	60	3	05945-111-68-39	N/A	05945-111-68-40	
	380	60	3	05945-111-69-12	N/A	05945-111-81-33	
	460	60	3	05945-111-68-39	N/A	05945-111-68-40	
	600	60	3	05945-111-69-12	N/A	05945-111-81-33	
	AJ-66'S	200	50	3	05945-011-84-59	05945-002-65-98	05945-111-68-40
		208	50	3	05945-011-84-59	05945-002-24-70	05945-111-68-40
		220	50	3	05945-011-84-59	05945-002-24-70	05945-111-68-40
		230	50	3	05945-011-84-59	05945-002-24-70	05945-111-68-40
		380	50	3	05945-002-71-09	05945-002-24-70	05945-111-68-40
		415	50	3	05945-111-69-12	05945-002-24-70	05945-111-81-33
440		50	3	05945-111-69-12	05945-002-24-70	05945-111-81-33	
208		60	1	N/A	N/A	N/A	
230		60	1	N/A	N/A	N/A	
200		60	3	05945-002-66-00	05945-002-66-02	05945-002-65-99	
208		60	3	05945-111-68-39	05945-111-68-41	05945-111-68-40	
230		60	3	05945-111-68-39	05945-111-68-41	05945-111-68-40	
380		60	3	05945-111-69-12	05945-002-24-70	05945-111-81-33	
460		60	3	05945-111-68-39	05945-111-68-41	05945-111-68-40	
600		60	3	05945-111-69-12	05945-111-81-33	05945-111-81-33	
AJ-80'S		200	50	3	05945-011-84-59	05945-111-68-40	05945-111-68-40
		208	50	3	05945-011-84-59	05945-111-68-40	05945-111-68-40
		220	50	3	05945-011-84-59	05945-111-68-40	05945-111-68-40
		230	50	3	05945-011-84-59	05945-111-68-40	05945-111-68-40
		380	50	3	05945-002-71-09	05945-111-68-40	05945-111-68-40
	415	50	3	05945-111-69-12	05945-111-81-33	05945-111-81-33	
	440	50	3	05945-111-69-12	05945-111-81-33	05945-111-81-33	
	208	60	1	N/A	N/A	N/A	
	230	60	1	N/A	N/A	N/A	
	200	60	3	05945-002-66-00	05945-002-65-99	05945-002-65-99	
	208	60	3	05945-111-68-39	05945-111-68-40	05945-111-68-40	
	230	60	3	05945-111-68-39	05945-111-68-40	05945-111-68-40	
	380	60	3	05945-111-69-12	05945-111-81-33	05945-111-81-33	
	460	60	3	05945-111-68-39	05945-111-68-40	05945-111-68-40	
	600	60	3	05945-111-69-12	05945-111-81-33	05945-111-81-33	

SECTION 5: PARTS SECTION

HEATER ASSEMBLY



Heater Replacement Kit Chart

<u>Model</u>	<u>Volts</u>	<u>Phase</u>	<u>KW</u>	<u>Part Number</u>
All*	208	1	15	06401-003-10-21
	230	1	15	06401-003-10-22
	200	3	15	06401-003-10-21
	208	3	15	06401-003-10-21
	220	3	15	06401-003-10-22
	230	3	15	06401-003-10-22
	380	3	15	06401-003-10-28
	415	3	15	06401-003-10-28
	440	3	15	06401-003-10-29
	460	3	15	06401-003-10-31
	600	3	15	06401-003-10-33

Replacement Kit Note:

All heater kits come with the heater, the gasket, lockwashers and locknuts.

* - AJ-44CGP, AJ-44CS, AJ-44CSL, AJ-66CGP, AJ-66CS, AJ-66CSL, AJ-80CS and AJ-80CSL models do not use electric heaters in the wash tank.

SERVICE NOTE:

When replacing the tub heaters, it is HIGHLY recommended that you also change out the gasket as well. Once installed, gaskets become compressed and are subjected to extreme temperature changes. Replacing the gasket with a new one when replacing the heater may prevent future leaks.

SERVICE NOTE:

The nuts used to secure the heater to the tub should be torqued to 154 in-lbs. After tightening, the unit should be allowed to heat up and operate normally for approximately 30 minutes. Secure power to the machine and check the nuts once more to ensure that they are torqued to 154 in-lbs.

SECTION 5: PARTS SECTION

HEATER ASSEMBLY (CONTINUED)

The wash tank heater system is electrically connected in the circuit so that they are dependent upon the dishwasher being properly filled with and maintaining a safe water level, two thermostats (mounted in the heater box behind the dress panel), float switch (mounted in the wash tank), and the heater relay (mounted in control box) with the heater being activated by the thermostats.

Once the dishwasher has been filled to the correct level, the heater should operate automatically. Should the tank heat be too high, too low or no indication of temperatures at all, the following checkout should be made.

Note: The following checkout should be made by either a qualified service person or electrician.

A- Checkout of the heater system

- 1- If the temperature is too high, adjust thermostat using instructions on the page entitled "Thermostats".
- 2- If temperature is too low, adjust thermostat as above, then:
 - a - Turn off power to machine by placing customer's circuit breaker in the "OFF" position. Turn off machine circuit breaker located on right side of control box.
 - b - Remove cover from control box on top of dishwasher.
 - c - Make sure water temperature is below 140° F.(preferably about 130°F.).
 - d - Turn on both circuit breakers. Observe heater relay (R1) while the power switch is turned "ON" and "OFF". If relay contacts move in and out, the heater relay is operating correctly: if not proceed to "C".

B- If heater relay (R1) closes:

- 1 - Check power supply at incoming terminal board L1, L2 & L3 (3 phase only). It should be the same voltage as indicated on the machine data plate.
- 2 - Check power at connections on heater relay (R1). The voltage should agree with the voltage on the machine data plate. If not, check wires for breaks or bad connections.
- 3 - Check power at terminals of heater which should agree with the data plate. If not check wires for breaks or bad connections.
- 4 - Temperatures should rise as explained in "C-1", and amperage may be checked according to those instructions. Replace any defective elements.

C - If heater relay (R1) does not close.

- 1 - There is an insulated movable insulated movable bar on relay across the top. With an insulated probe, depress this bar and observe the thermometer: the temperature should rise noticeably in a minute or two. If it moves slowly, it would indicate that the element is faulty. If it moves constantly higher at a good rate, elements should be good.

Note: A check with an amp probe at heater relay (R1) terminals should be made to verify the amp draw on each leg. This should be appropriate for the voltage and phase indicated on the data plate

HEATER PROTECTION & AUTOMATIC FILL

This control is activated when the power switch is turned "ON". The primary function is to automatically energize the wash tank heat circuit. It will also cutoff the wash tank heat circuit should the water be accidently drained from the machine with the power switch still "ON". The power switch should always be turned-off before draining the unit.

This water level control consists of two (2) floats that operate when the power switch is turned on and works in conjunction with the thermostats and heater relays.

When the power switch is turned "ON" water starts to enter the dishmachine. When it reaches the proper level the normally open contacts in the water level float switch close activating the heating circuit for tank heat.

If the water level below the correct level while power is still on, the float switch will sense the lack of water and de-activate the heater.

SECTION 5: PARTS SECTION
HEATER ASSEMBLY (CONTINUED)/THERMOSTATS/DRESS PANELS

THERMOSTATS

The thermostat range is from 140°F to 240°F with a maximum bulb exposure temperature of 300°F.

Calibration:

Wash Thermostat:

Set Point: 165°F (Adjustable range)

Hi-Limit Thermostat:

Fixed set point: 210°F (Non-adjustable)

The hi-limit thermostat is used to protect the heater element in the event of a run away regulating thermostat or a dry fire situation. It is set for 210°F +0°F or -10°F with a fixed set point. **This part is not adjustable.**

The wash tank regulating thermostat will maintain the correct wash water temperature to meet NSF requirements. These specify that the wash be no lower than 140°F on chemical sanitizing models and no lower than 160°F on hot water sanitizing machines.

To order the thermostats and corresponding decals:

Kit, Thermostat Wash Regulating (CE/CEL Models)

[06401-003-18-20](#)

Kit, Thermostat Wash Regulating (CS/CSL Models)

[06401-003-18-21](#)

Thermostat, High Limit Control

[05930-011-49-43](#)

HEATER BOX COMPONENTS

Heater Box Weldment

[05700-031-66-81](#)

Heater Box Cover

[05700-031-66-82](#)

Terminal Board

[05940-002-78-97](#)

FRONT DRESS PANELS

Model

Left to Right Part Number

Right to Left Part Number

AJ-44's

[05700-031-72-22](#)

[05700-031-72-22](#)

AJ-44CGP

[05700-002-52-77](#)

[05700-002-52-77](#)

AJ-66's

[05700-031-71-85](#)

[05700-031-72-42](#)

AJ-66CGP

[05700-002-51-22](#)

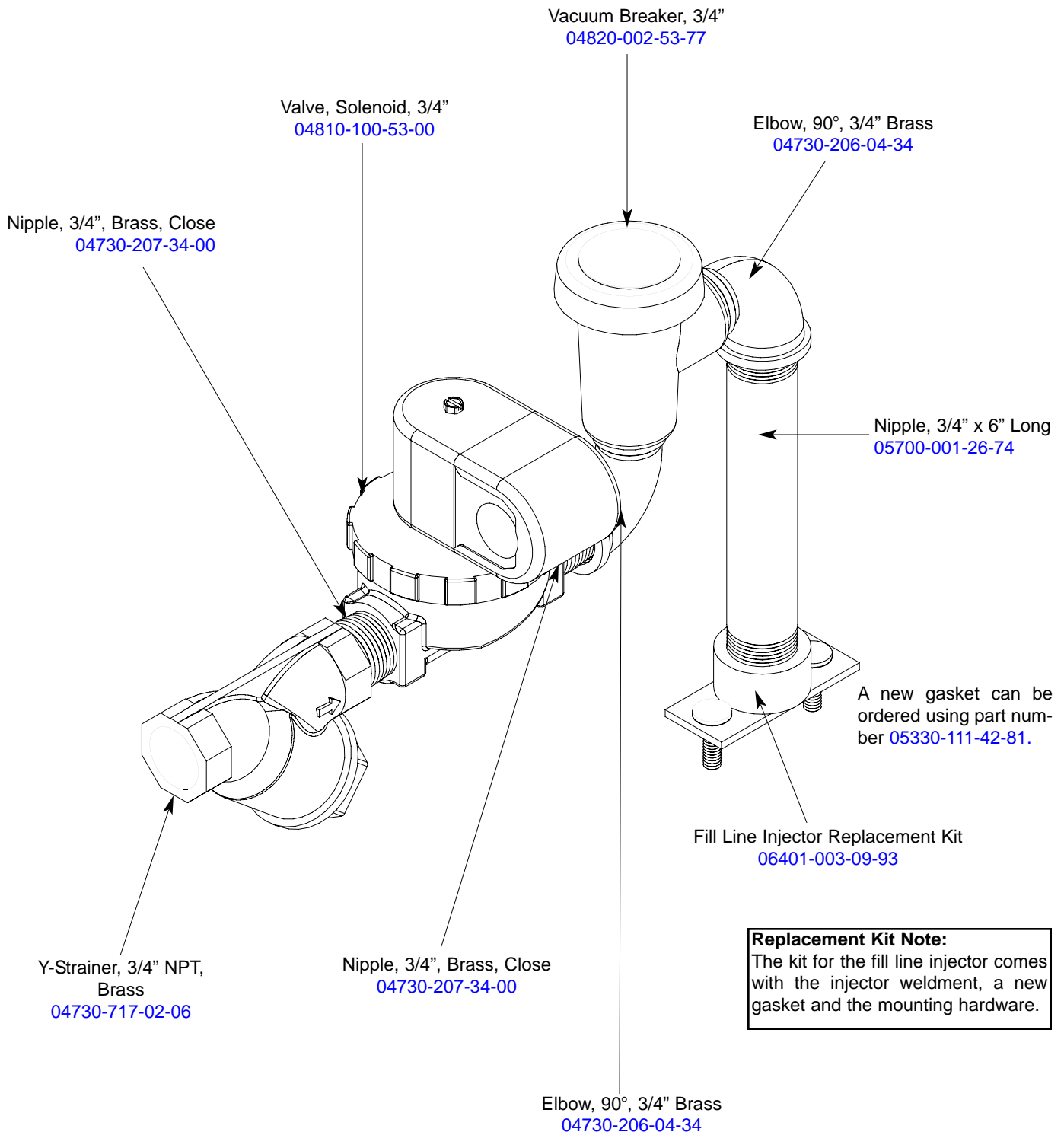
[05700-002-57-84](#)

AJ-80's

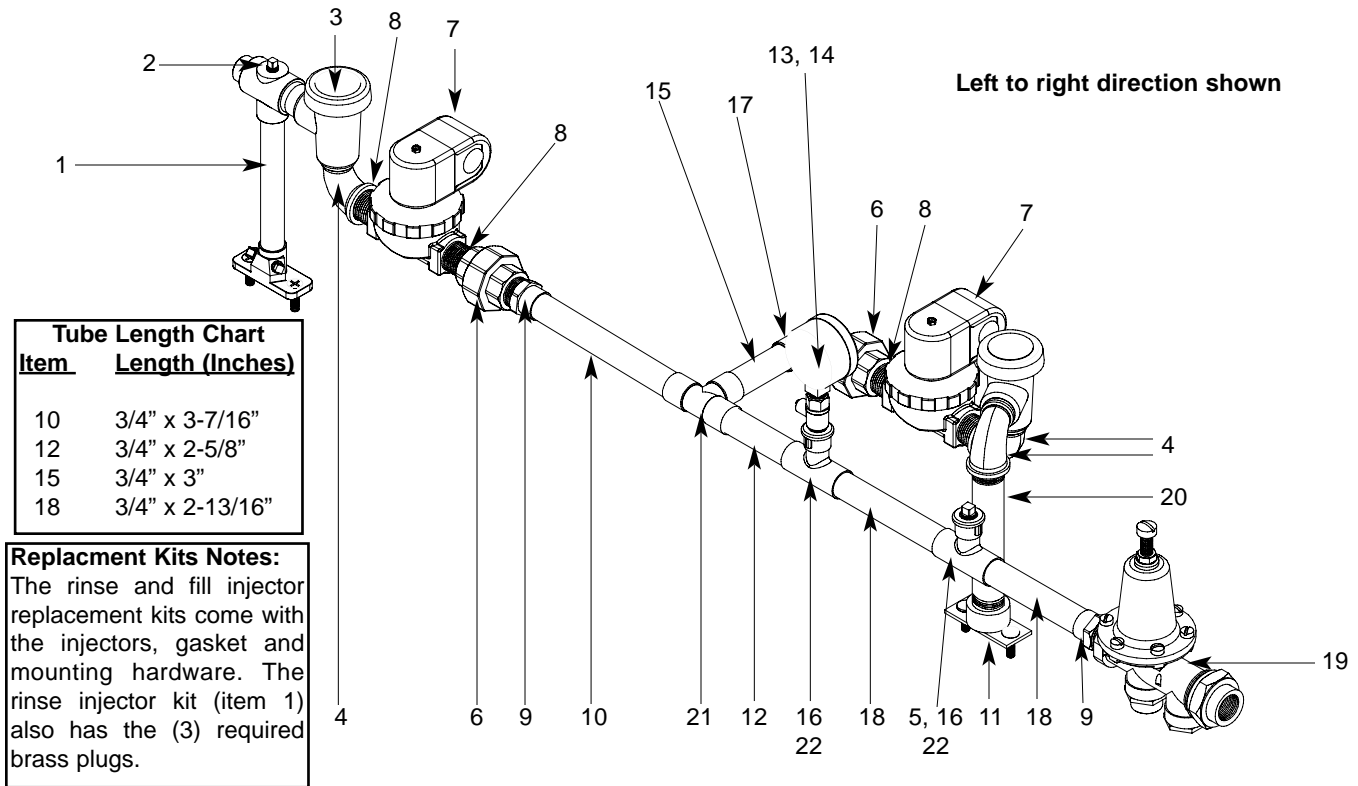
[05700-031-74-06](#)

[05700-031-77-10](#)

SECTION 5: PARTS SECTION
PREWASH PLUMBING ASSEMBLY



SECTION 5: PARTS SECTION
WASH SECTION INCOMING PLUMBING ASSEMBLY

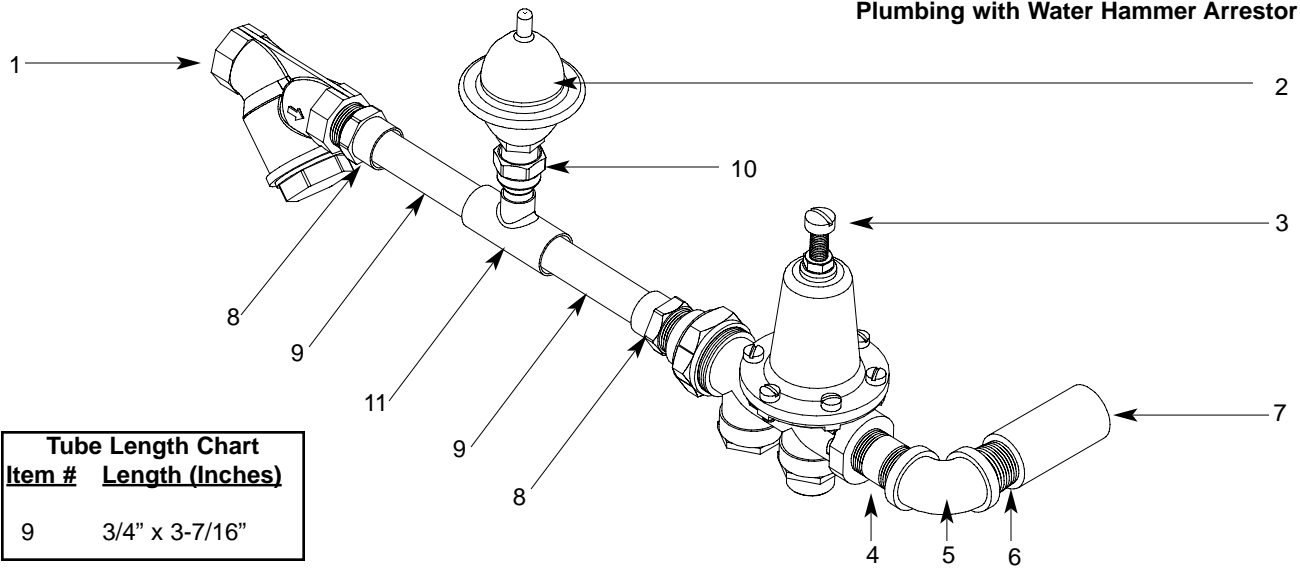


ITEM	QTY	DESCRIPTION	Mfg. No.
1	1	Rinse Injector Replacement Kit	06401-003-11-88
	1	Gasket	05330-111-42-81
2	3	Plug, Brass, 1/8" NPT	04730-209-07-37
3	2	Vacuum Breaker, 3/4" NPT	04820-002-53-77
4	3	Elbow, Street, 3/4" NPT	04730-206-04-34
5	1	Plug	04730-209-01-00
6	2	Union, Brass, 3/4"	04730-212-05-00
7	2	Solenoid Valve, 3/4"	04810-100-53-00
8	4	Nipple, Close, Brass, 3/4" NPT	04730-207-34-00
9	2	Fitting, 3/4" Male to Slip Copper	04730-401-11-01
10	1	Tube, Copper	See Chart
11	1	Fill Injector Replacement Kit	06401-003-09-93
	1	Gasket	05330-111-42-81
12	1	Tube, Copper	See Chart
13	1	Gauge, Pressure, 0-100 PSI	06685-111-88-34
14	1	Valve, Ball, Test Cock, 1/4" NPT	04810-011-72-67
15	1	Tube, Copper	See Chart
16	2	Tee, 3/4" x 3/4" x 1/2"	04730-411-03-01
17	1	Elbow, Brass, 90°, 3/4" Copper	04730-406-42-01
18	2	Tube, Copper	See Chart
19	1	Regulator, Pressure, 3/4" NPT, Brass	06685-011-58-22
20	1	Nipple, Brass, 6" Long	05700-001-26-74
21	1	Tee, 3/4", CU x CU x CU	04730-411-46-01
22	2	Fitting, Adapter, 1/2" to 1/4"	04730-401-41-01

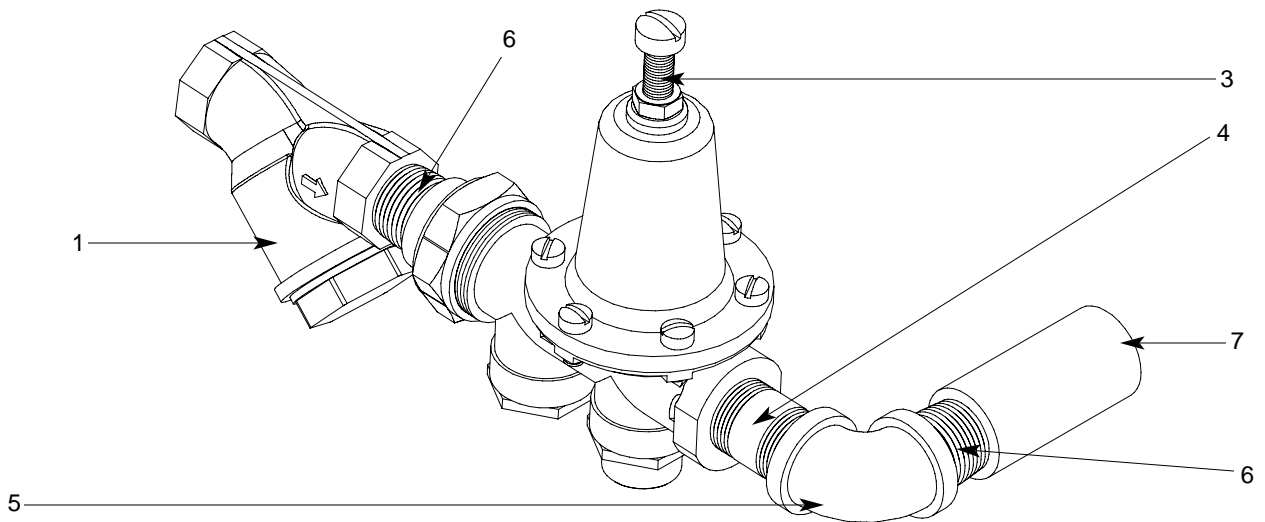
SECTION 5: PARTS SECTION

EXTERNAL ELECTRIC BOOSTER INCOMING PLUMBING ASSEMBLIES

Plumbing with Water Hammer Arrestor

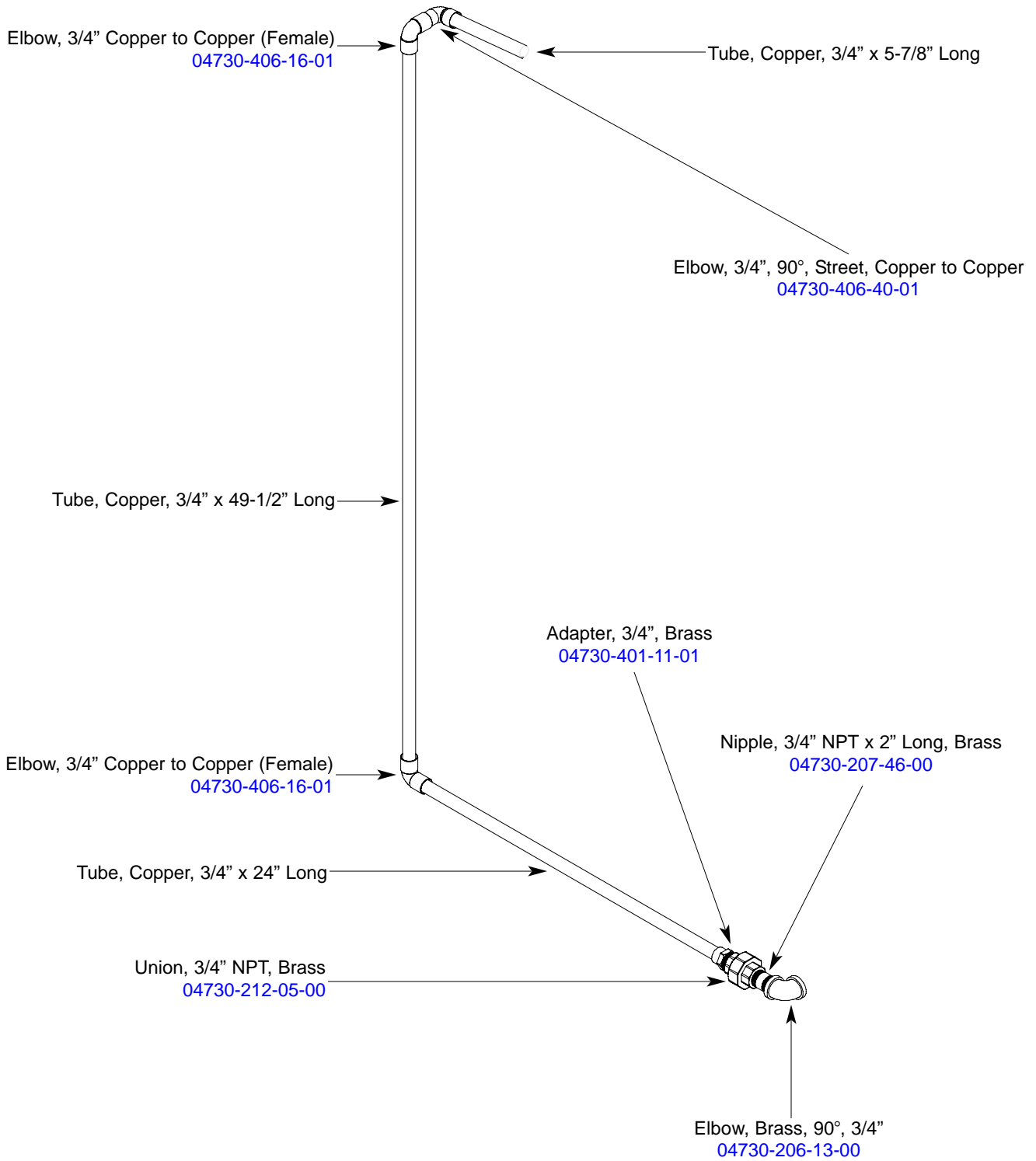


Plumbing without Water Hammer Arrestor



ITEM	QTY	DESCRIPTION	Mfg. No.
1	-	Y-Strainer, 3/4" NPT, Brass	04730-717-02-06
2	-	Arrestor, Water Hammer, 1/2" NPT	06685-100-05-00
3	-	Regulator, Pressure, 3/4" NPT, Brass	06685-011-58-22
4	-	Nipple, 3/4" NPT x 2" Long, Brass	04730-207-46-00
5	-	Elbow, Brass, 90°, 3/4"	04730-206-13-00
6	-	Nipple, 3/4" NPT, Close, Brass	04730-207-34-00
7	-	Coupling, 3/4" FNPT x 3/4" FNPT, Brass	04730-011-87-95
8	-	Adapter, 3/4" Male	04730-401-11-01
9	-	Tube, Copper	See Chart
10	-	Adapter, 1/2" NPT x Male	04730-401-07-01
11	-	Tee, Copper, 3/4" x 3/4" x 1/2"	04730-411-03-01

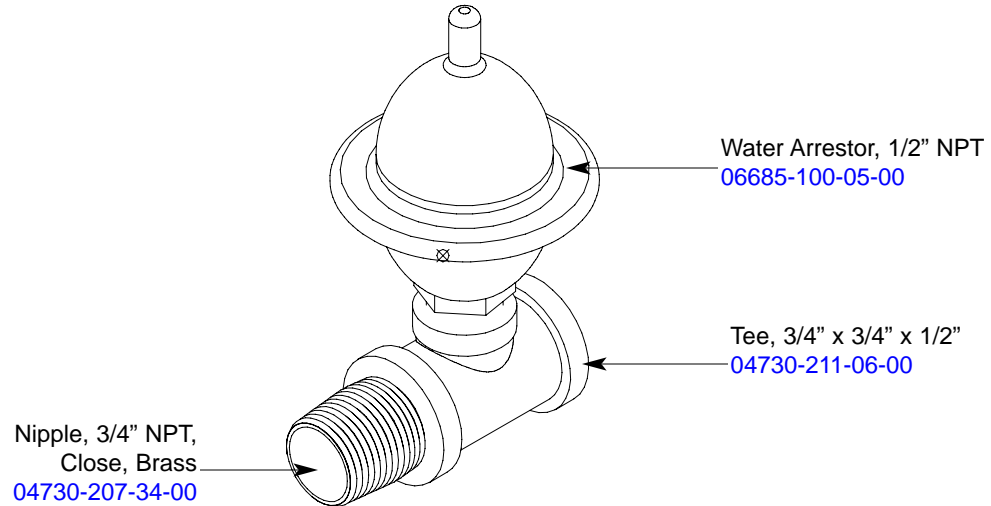
SECTION 5: PARTS SECTION
EXTERNAL ELECTRIC BOOSTER OPTION OUTLET PLUMBING



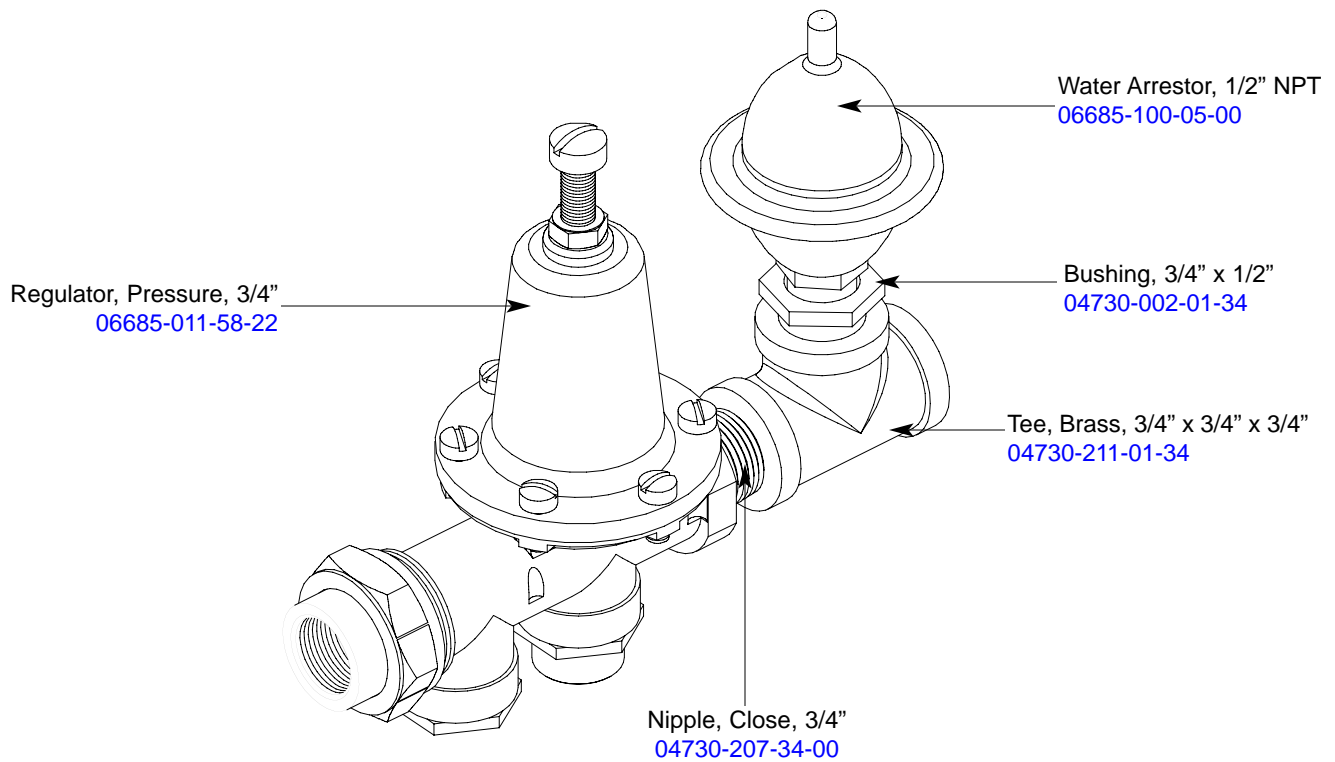
SECTION 5: PARTS SECTION

WATER HAMMER ARRESTOR OPTION/WATER PRESSURE REGULATOR KIT OPTION

WATER HAMMER ARRESTOR OPTION

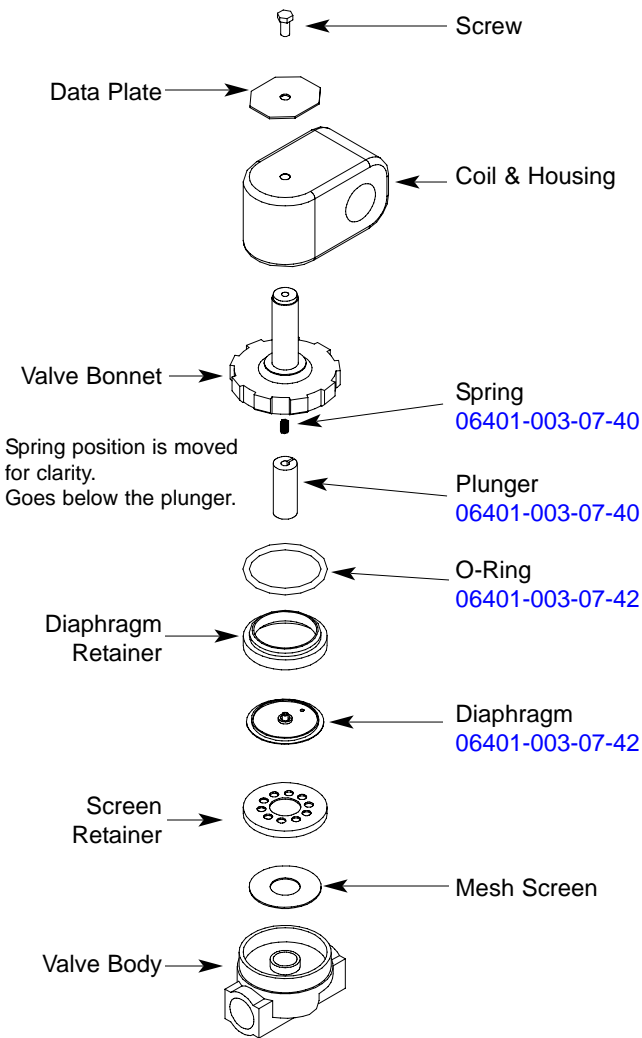


WATER PRESSURE REGULATOR WITH ARRESTOR KIT OPTION



SECTION 5: PARTS SECTION

RINSE SOLENOID VALVE & VACUUM BREAKER REPAIR PARTS KITS

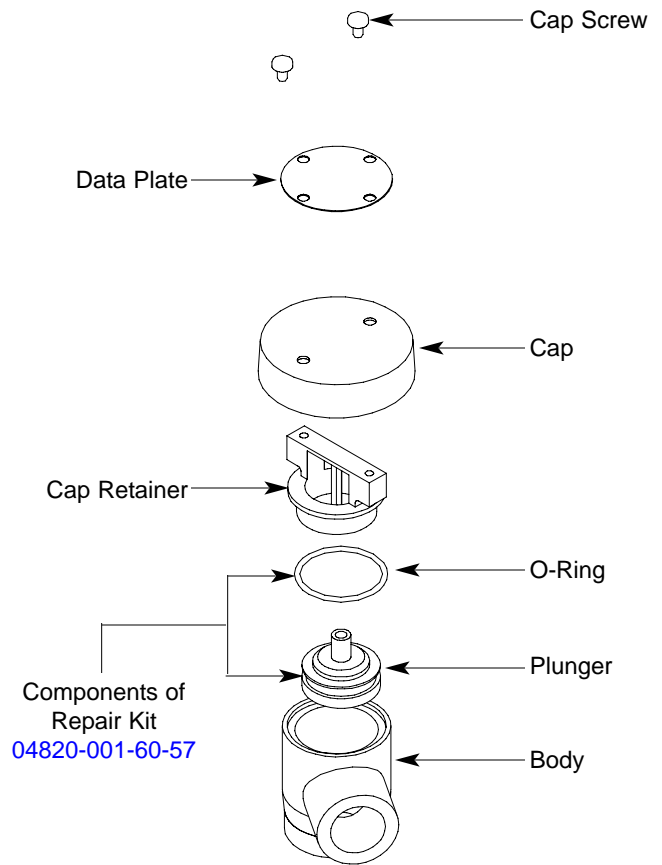
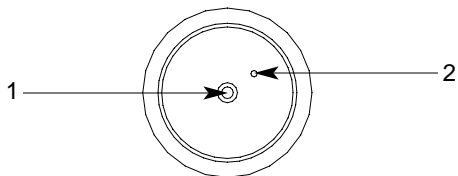


Complete 110 Volt Solenoid Valve Assembly, 3/4"
04810-100-53-00

Coil & Housing only, 3/4"
06401-003-07-43

Possible Problems:

1. Pilot port extension #1 clogged. Clean hole.
2. Hole #2 Clogged. Pass heated straight pin through hole.

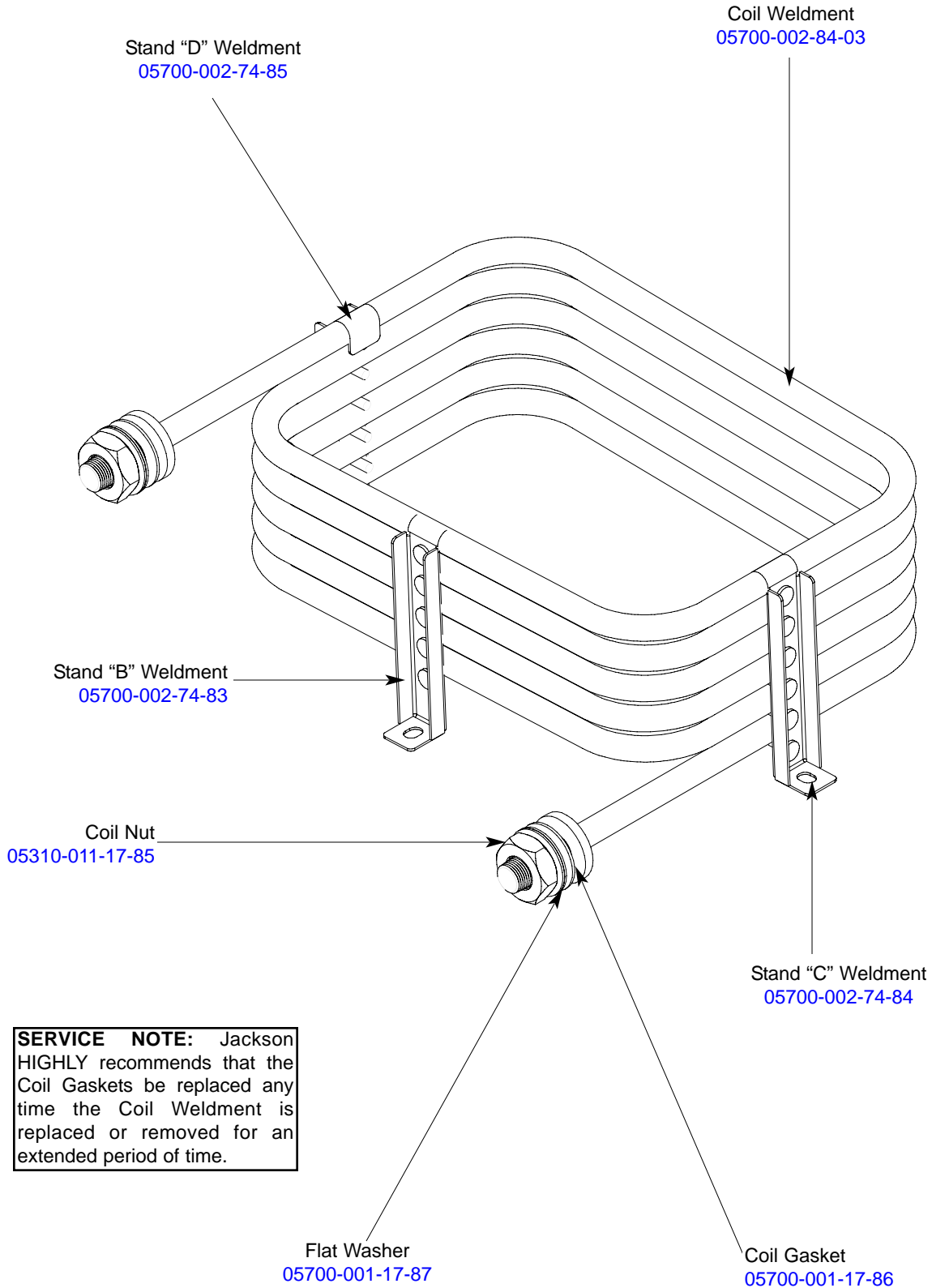


Complete Vacuum Breaker Assembly, 3/4" NPT
04820-002-53-77

DISASSEMBLY - These valves may be taken apart by unscrewing the bonnet and the enclosing tube assembly from the valve body assembly. After unscrewing, carefully lift off the bonnet and enclosing tube assembly. Don't drop the plunger. The o-ring seal and diaphragm cartridge can now be lifted out. Be careful not to damage the machined faces while the valve is apart.

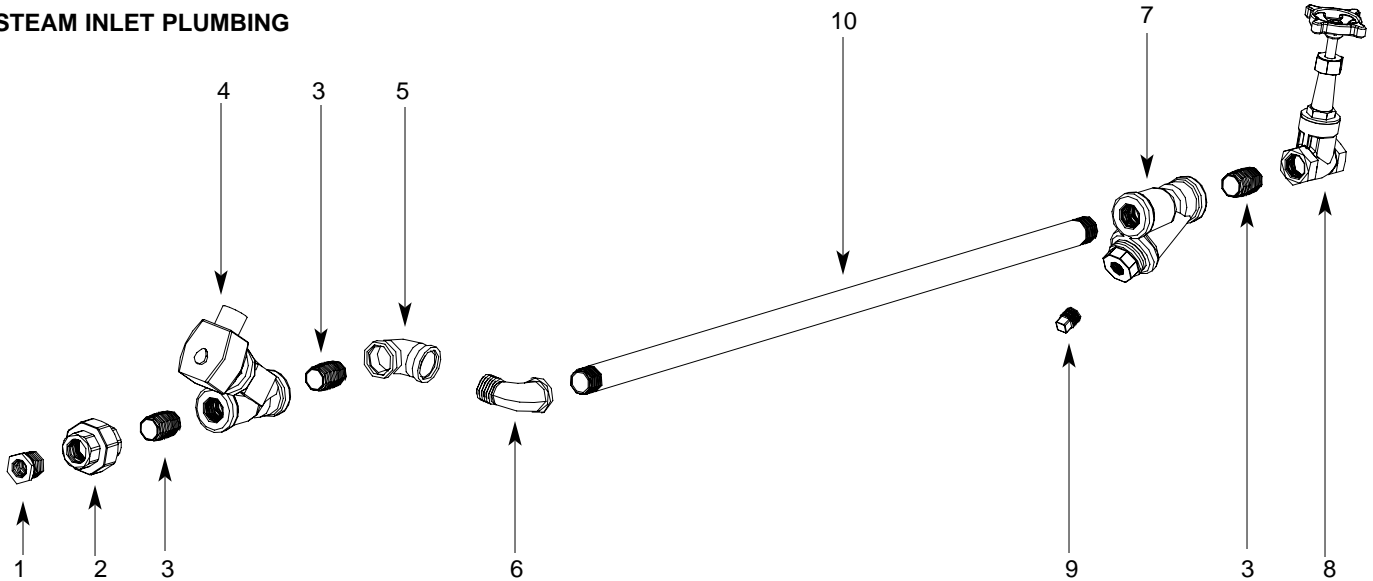
TO REASSEMBLE - Place the diaphragm cartridge in the body with the pilot port extension UP. Hold the plunger with the synthetic seat against the pilot port. Make sure the o-ring is in place, then lower the bonnet and enclosing tube assembly over the plunger. Screw the bonnet assembly snugly down on the body assembly.

SECTION 5: PARTS SECTION
STEAM UNIT WASH TANK COIL ASSEMBLY



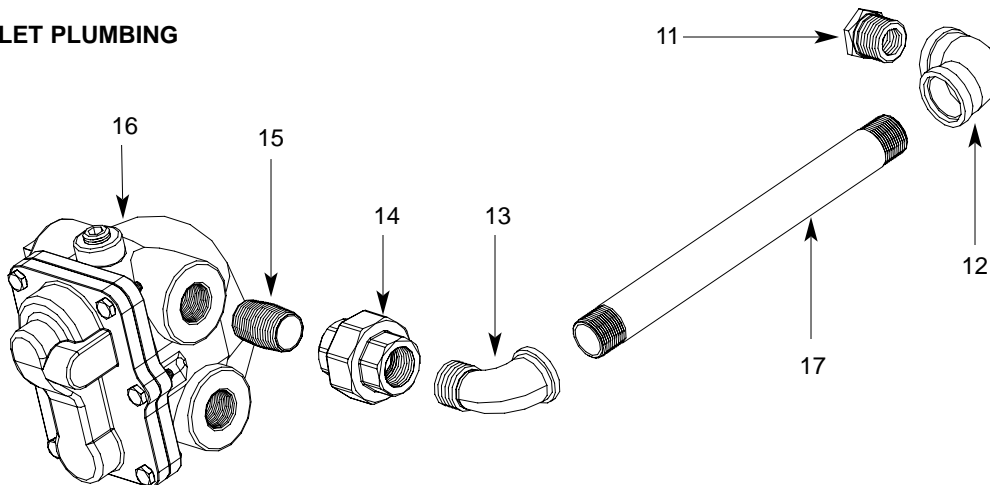
SECTION 5: PARTS SECTION
STEAM PLUMBING (LEFT TO RIGHT)

STEAM INLET PLUMBING



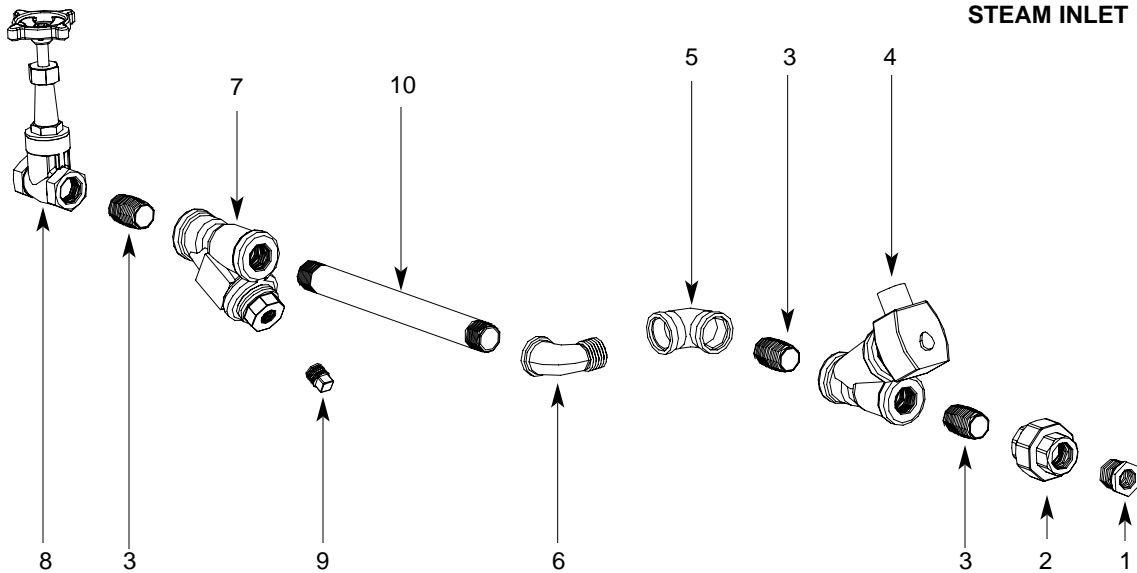
ITEM	QTY	DESCRIPTION	Mfg. No.
1	1	Reducer, 3/4" NPT to 1/2" NPT, Black Iron	04730-911-02-34
2	1	Union, 3/4" NPT, Black Iron	04730-912-01-00
3	3	Nipple, Close, 3/4" NPT, Black Iron	04730-907-01-00
4	1	Valve, Steam Solenoid, 3/4" NPT, 120V	04820-011-87-39
5	1	Elbow, 90°, 3/4" FNPT, Black Iron	04730-906-10-34
6	1	Elbow, Street, 90°, 3/4" NPT, Black Iron	04730-011-87-37
7	1	Y-Strainer, 3/4" NPT, Black Iron	04730-217-01-32
8	1	Valve, Gate, Steam, 3/4" NPT	04820-100-19-00
9	1	Plug, 3/8" NPT, Black Iron	04730-909-02-34
10	1	Nipple, 3/4" NPT x 32" Long	04730-002-21-27
11	1	Reducer, 3/4" NPT to 1/2" NPT, Black Iron	04730-911-02-34
12	1	Elbow, 90°, 3/4" FNPT, Black Iron	04730-906-10-34
13	1	Elbow, Street, 3/4" NPT, Black Iron	04730-011-87-37
14	1	Union, 3/4" NPT, Black Iron	04730-912-01-00
15	1	Nipple, Close, 3/4" NPT, Black Iron	04730-907-01-00
16	1	Steam Trap, 3/4" NPT	06680-500-02-77
17	1	Pipe, 3/4" NPT x 10" Long, Black Iron	04730-907-06-34

STEAM OUTLET PLUMBING



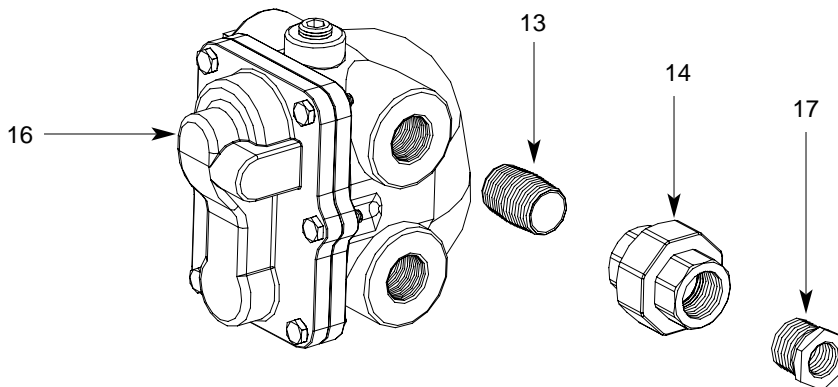
SECTION 5: PARTS SECTION
STEAM PLUMBING (RIGHT TO LEFT)

STEAM INLET PLUMBING

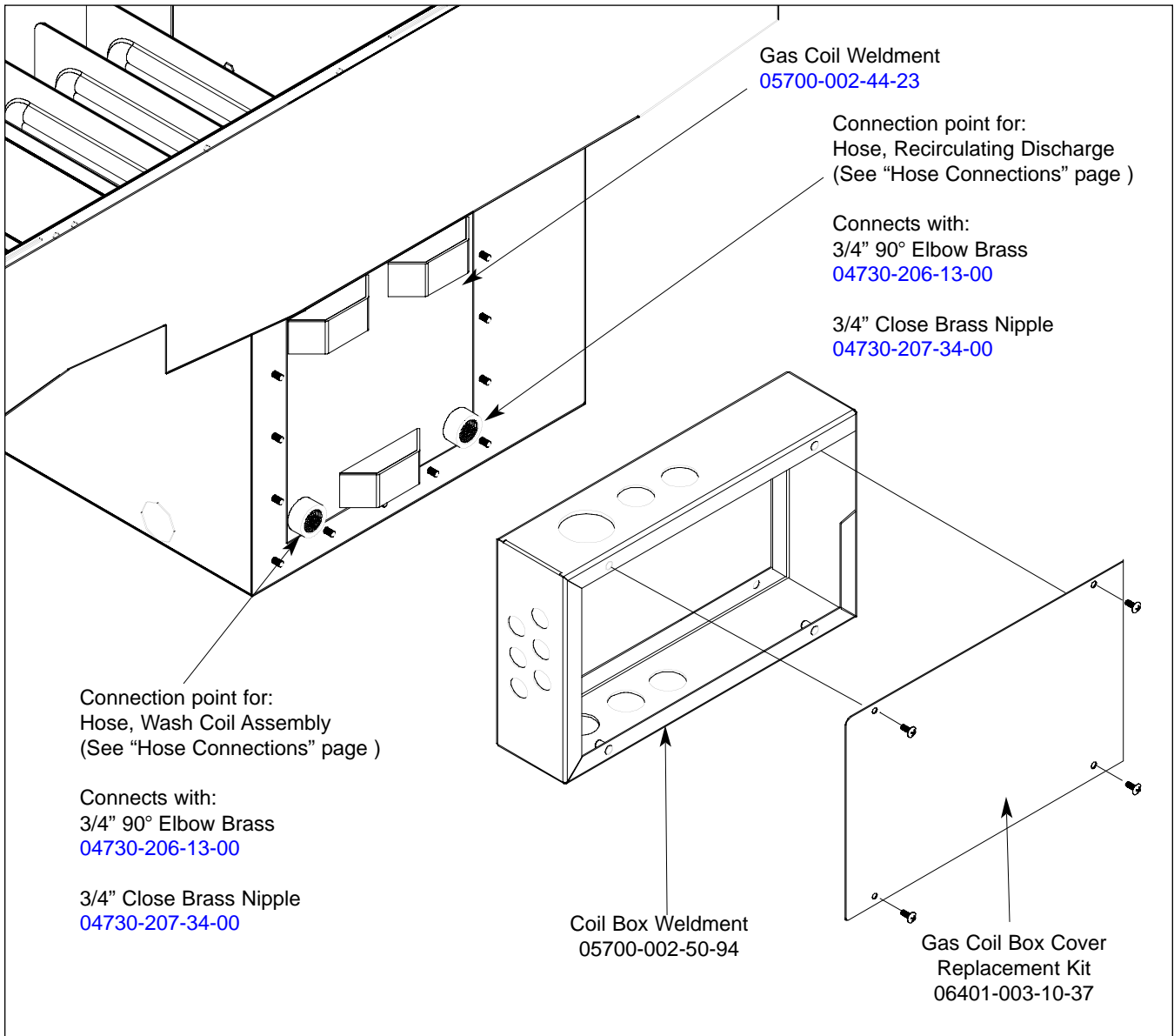


ITEM	QTY	DESCRIPTION	Mfg. No.
1	1	Reducer, 3/4" NPT to 1/2" NPT, Black Iron	04730-911-02-34
2	1	Union, 3/4" NPT, Black Iron	04730-912-01-00
3	3	Nipple, Close, 3/4" NPT, Black Iron	04730-907-01-00
4	1	Valve, Steam Solenoid, 3/4" NPT, 120V	04820-011-87-39
5	1	Elbow, 90°, 3/4" FNPT, Black Iron	04730-906-10-34
6	1	Elbow, Street, 90°, 3/4" NPT, Black Iron	04730-011-87-37
7	1	Y-Strainer, 3/4" NPT, Black Iron	04730-217-01-32
8	1	Valve, Gate, Steam, 3/4" NPT	04820-100-19-00
9	1	Plug, 3/8" NPT, Black Iron	04730-909-02-34
10	1	Nipple, 3/4" NPT x 10" Long	04730-907-06-34
11	1	Reducer, 3/4" NPT to 1/2" NPT, Black Iron	04730-911-02-34
12	1	Elbow, 90°, 3/4" FNPT, Black Iron	04730-906-10-34
13	1	Elbow, Street, 3/4" NPT, Black Iron	04730-011-87-37
14	1	Union, 3/4" NPT, Black Iron	04730-912-01-00
15	1	Nipple, Close, 3/4" NPT, Black Iron	04730-907-01-00
16	1	Steam Trap, 3/4" NPT	06680-500-02-77
17	1	Pipe, 3/4" NPT x 10" Long, Black Iron	04730-907-06-34

STEAM OUTLET PLUMBING



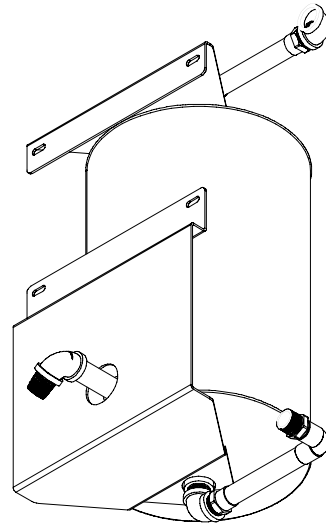
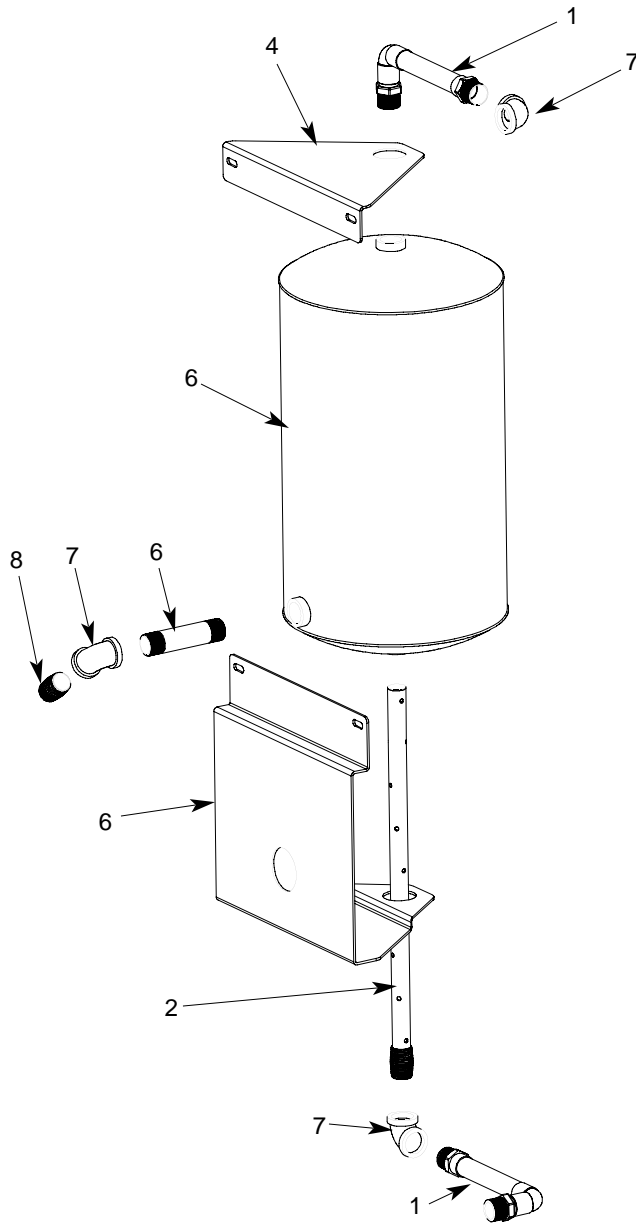
SECTION 5: PARTS SECTION
GAS COIL ASSEMBLY (CGP MODELS)



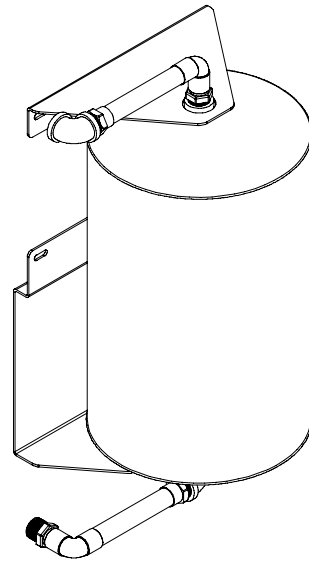
Other items used but not shown.

ITEM	QTY	DESCRIPTION	Mfg. No.
1	1	Thermostat, High Limit	05930-011-49-43
2	1	Terminal Board	05940-002-78-97
3	1	Thermostat Bracket	05700-011-81-64
4	1	Decal, Thermostat Regulating	09905-011-84-31
5	1	Thermostat, Wash Regulating	06401-140-00-32
6	2	Fitting, 1/4", Imperial Brass	05310-924-02-05

SECTION 5: PARTS SECTION
TANK, RINSE BOOSTER (CGP MODELS ONLY)



BOTTOM ANGLED VIEW



TOP ANGLED VIEW

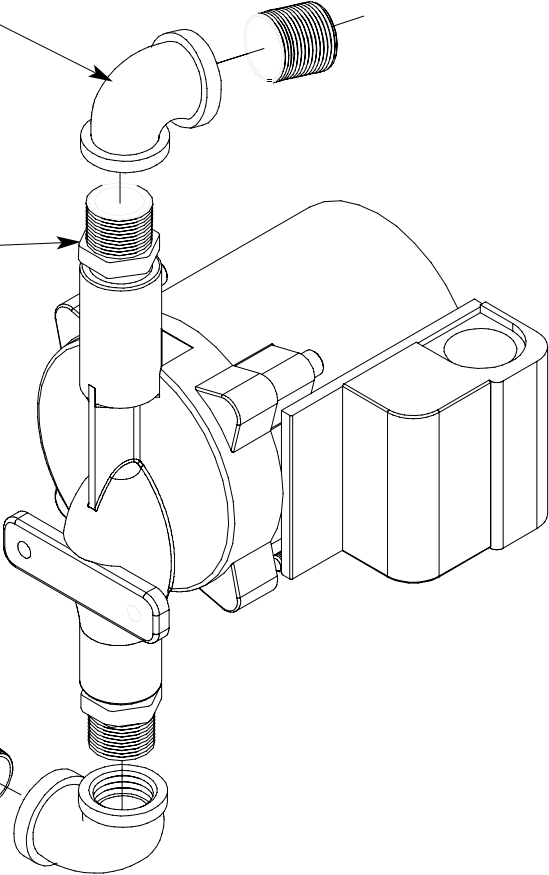
ITEM	QTY	DESCRIPTION	Mfg. No.
1	2	Plumbing Assembly, Inlet/Discharge, Rinse Tank	05700-002-51-24
2	1	Tube, Dispersion Weldment	05700-002-46-16
3	1	Tank, GP Rinse	05700-002-45-05
4	1	Bracket, Upper Rinse Tank	05700-002-67-13
5	1	Bracket, Lower Rinse Tank	05700-002-67-14
6	1	Nipple, 3/4" NPT x 4" Long	04730-207-05-00
7	3	Elbow, 3/4" NPT, 90° Brass	04730-206-13-00
8	1	Nipple, 3/4" NPT x Closed Brass	04730-207-34-00

SECTION 5: PARTS SECTION
RECIRCULATING PUMP ASSEMBLY (CGP MODELS ONLY)

Elbow, 3/4" 90° Brass
2 per
04730-206-13-00

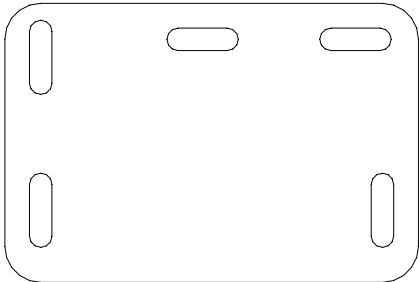
Pump, Recirculating with Adapters
05700-002-51-28

Nipple, 3/4" Close Brass
2 per
04730-207-34-00

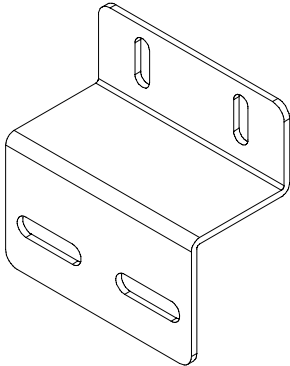


Used on AJ-44CGP, AJ-66CGP, AJ-80CGP units right to left units and the AJ-44CGP left to right unit.

Used only on AJ-66CGP/AJ-80CGP left to right units.

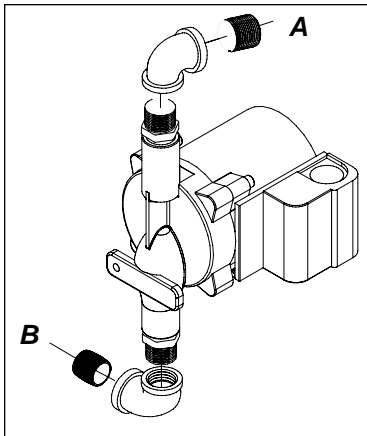


Mounting Bracket
05700-002-25-74

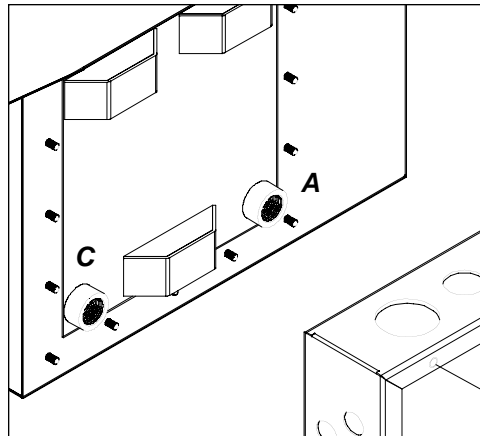


Mounting Bracket
05700-002-23-61

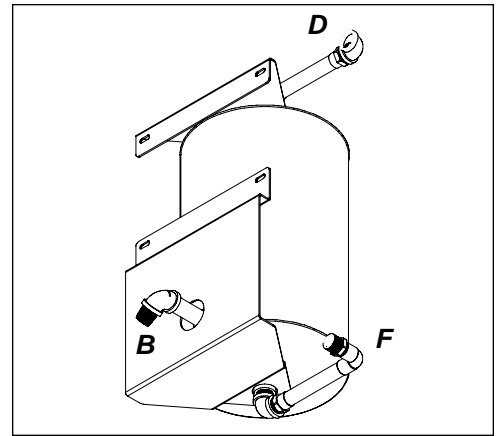
SECTION 5: PARTS SECTION
HOSE CONNECTIONS (CGP MODELS ONLY)



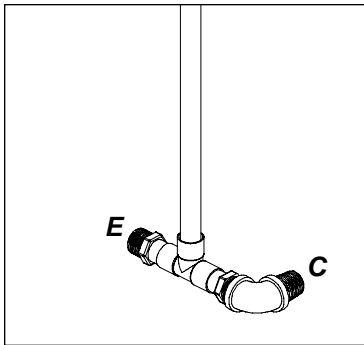
Recirculating Pump Assembly



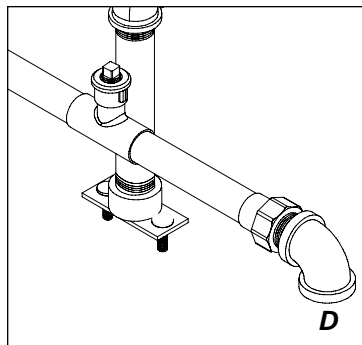
Gas Coil Weldment



Rinse Booster Tank



Rinse Header Plumbing Assembly



Wash/Fill Plumbing Assembly

HOSE ASSEMBLIES

AJ-44CGP (L-R & R-L)

AJ-66CGP (L-R)

AJ-66CGP (R-L)

*Each hose assembly includes 2, 3/4" Pushlock Fittings (part number [04730-011-94-00](#)).

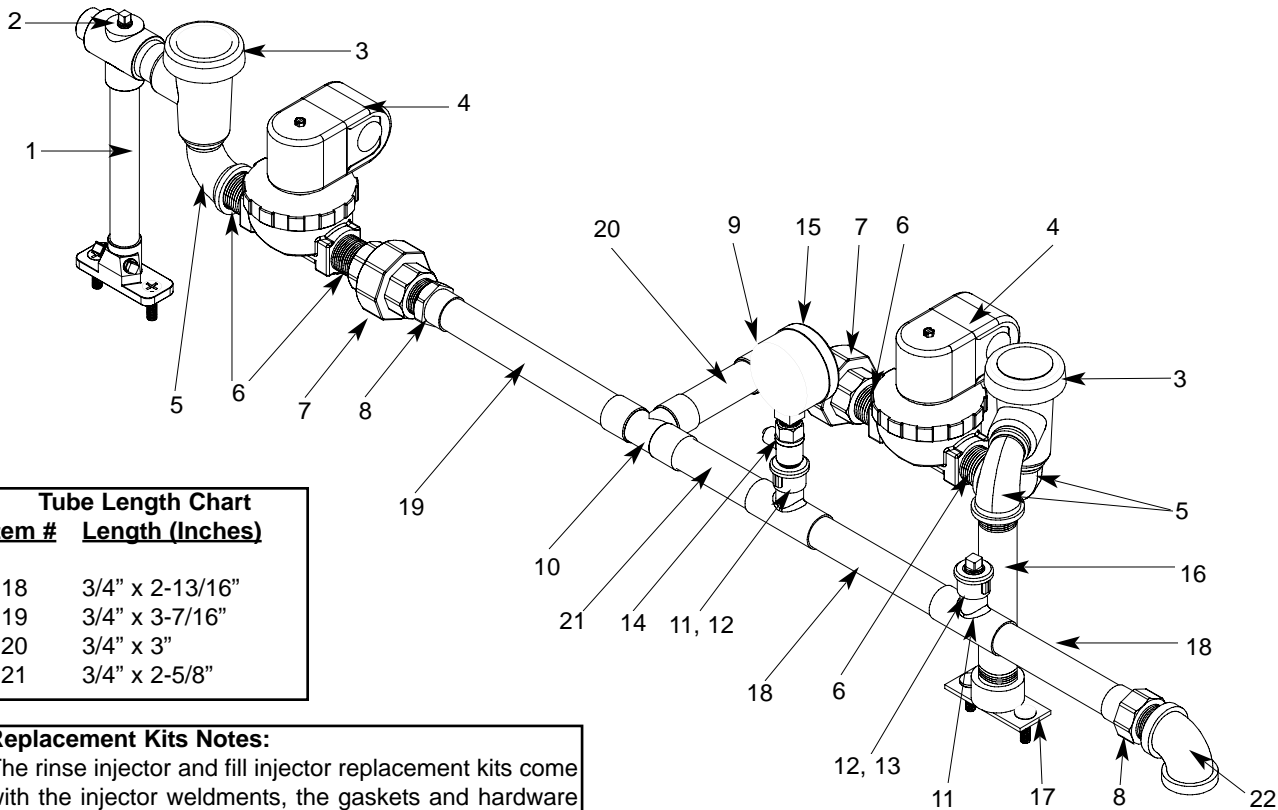
A - Hose, Recirculating Discharge	(8 1/2") 05700-002-52-74	(18") 05700-002-51-38	(8 1/2") 05700-002-52-74
B - Hose, Recirculating Pump Suction	(18 1/2") 05700-002-52-75	(26") 05700-002-51-37	(18 1/2") 05700-002-52-75
C - Hose, Wash Coil Assembly	(34") 05700-002-52-76	(36") 05700-002-51-39	(50") 05700-002-57-58
D - Hose, Recirculating Discharge	(L-R 48") 05700-003-03-95 (R-L 60") 05700-003-03-97	(60") 05700-003-03-97	(60") 05700-003-03-97

E - Hose connection to existing gas booster outlet fitting.

F - Hose connection to existing gas booster inlet fitting.

Gas Booster Connection Kit [05700-002-51-73](#) includes:
 18 Feet of 3/4" Hose
 4 - 3/4" Push Lock Fittings

SECTION 5: PARTS SECTION
WASH/FILL PLUMBING ASSEMBLY (CGP MODELS)

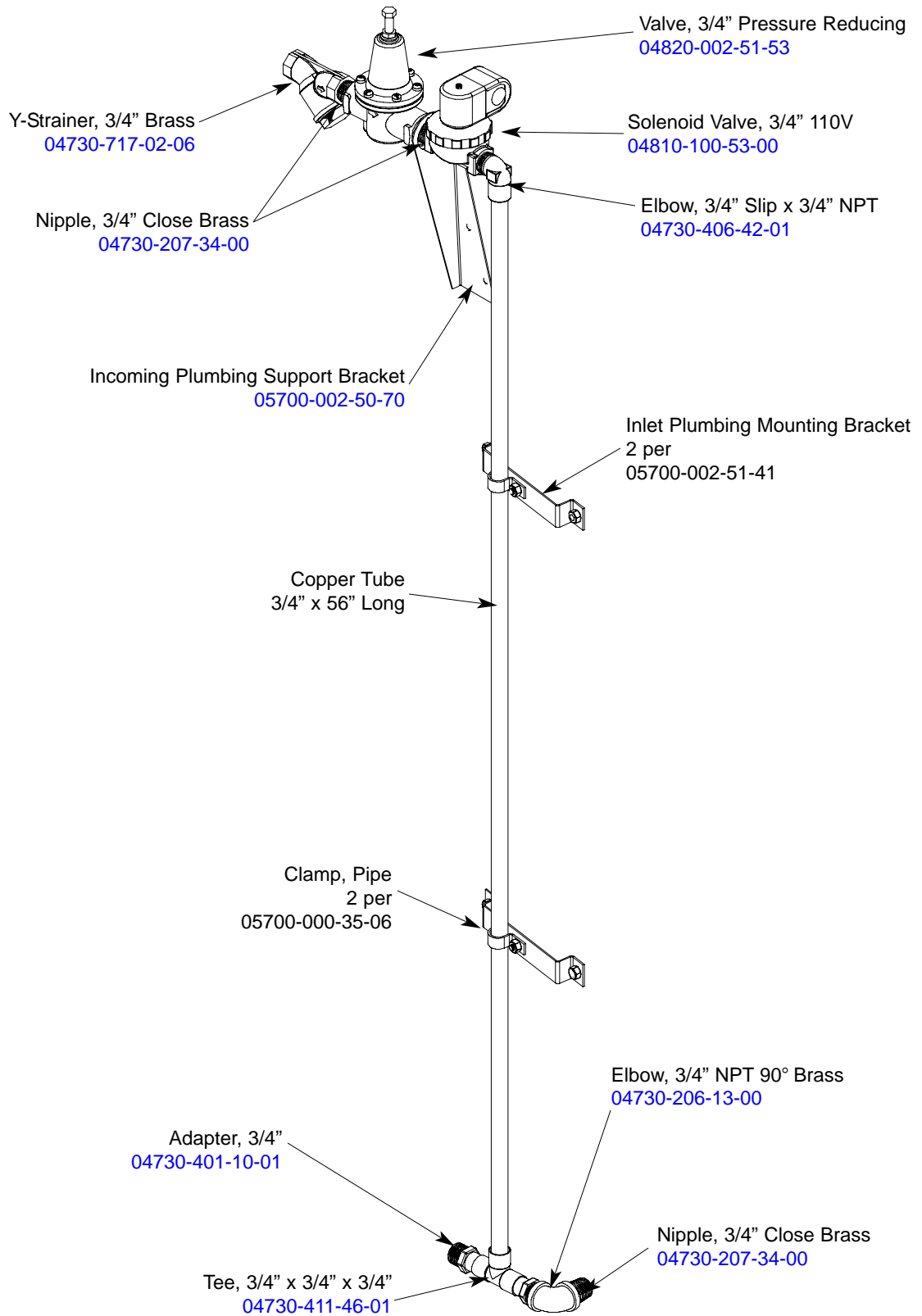


Tube Length Chart	
Item #	Length (Inches)
18	3/4" x 2-13/16"
19	3/4" x 3-7/16"
20	3/4" x 3"
21	3/4" x 2-5/8"

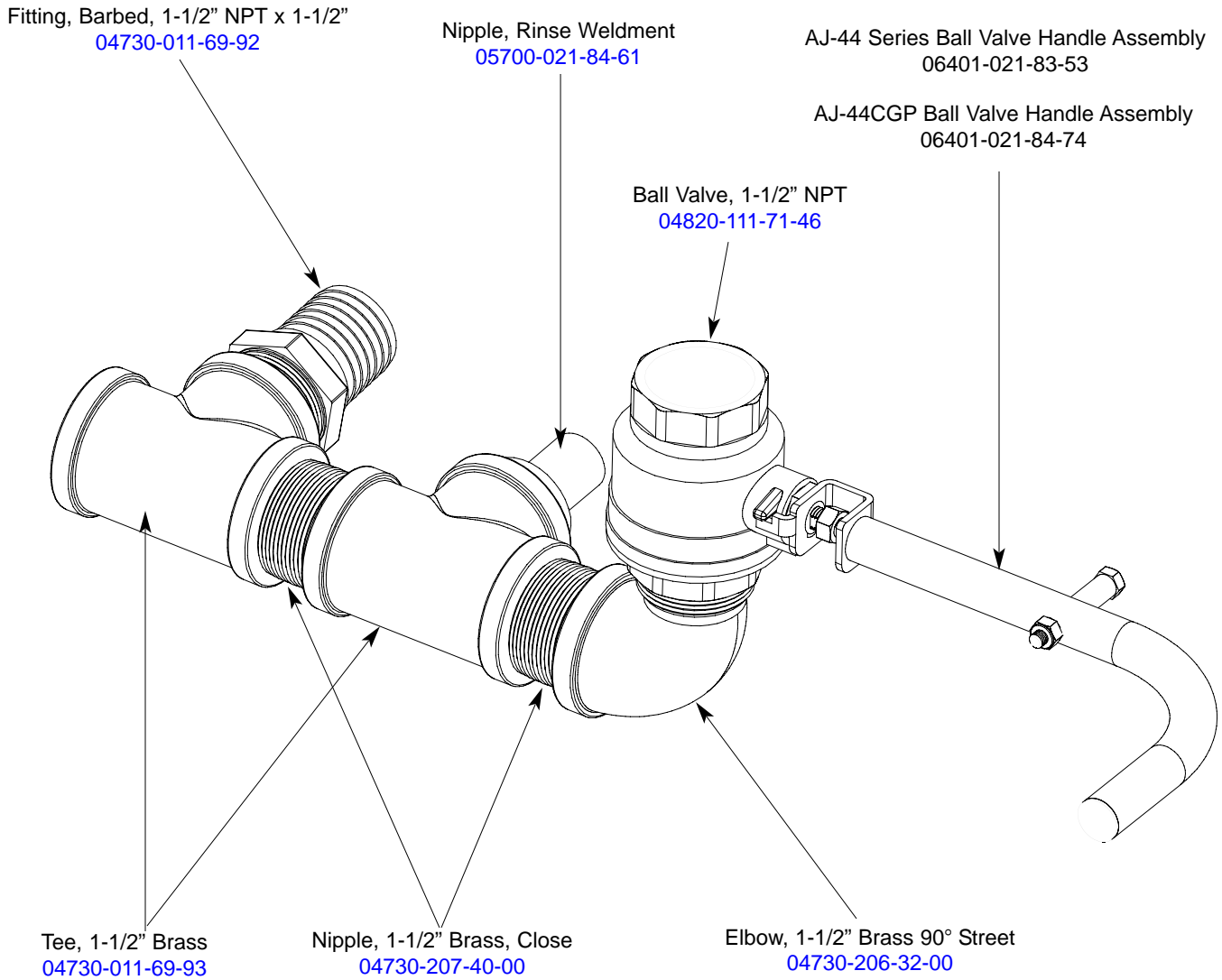
Replacement Kits Notes:
 The rinse injector and fill injector replacement kits come with the injector weldments, the gaskets and hardware for mounting. In the case of Item (1) below, it also comes with the required (3) brass plugs.

ITEM	QTY	DESCRIPTION	Mfg. No.
1	1	Rinse Injector Weldment Replacement Kit	06401-003-11-84
	1	Gasket	05330-111-42-81
2	3	Plug, 1/8" NPT, Brass	04730-209-07-37
3	2	Vacuum Breaker, 3/4" NPT	04820-002-53-77
4	2	Valve, Solenoid, 3/4" NPT, 110 Volt	04810-100-53-00
5	3	Elbow, 3/4" Street Brass	04730-206-04-34
6	4	Nipple, Close, Brass, 3/4" NPT	04730-207-34-00
7	4	Union, 3/4", Copper to Copper	04730-212-05-00
8	2	Adapter, 3/4" Fitting x Male	04730-401-11-01
9	1	Elbow, 90° 3/4" Copper to MSPS	04730-406-42-01
10	1	Tee, 3/4", CU x CU x CU	04730-411-46-01
11	2	Tee, 3/4" x 3/4" x 1/2"	04730-411-03-01
12	2	Fitting, Adapter, 1/2" to 1/4"	04730-401-41-01
13	1	Plug, 1/4" NPT, Brass	04730-209-01-00
14	1	Test Cock, Valve, Ball, 1/4" NPT	04810-011-72-67
15	1	Gauge, Pressure, 0-100 PSI	06685-111-88-34
16	1	Nipple, Brass, 6" Long	05700-001-26-74
17	1	Fill Injector Replacement Kit	06401-003-09-93
	1	Gasket	05330-111-42-81
18	1	Tube, Copper	See Chart
19	1	Tube, Copper	See Chart
20	1	Tube, Copper	See Chart
21	1	Tube, Copper	See Chart
22	1	Elbow, 3/4" NPT, 90° Brass	04730-206-13-00

SECTION 5: PARTS SECTION
RINSE HEADER PLUMBING ASSEMBLY (CGP MODELS)



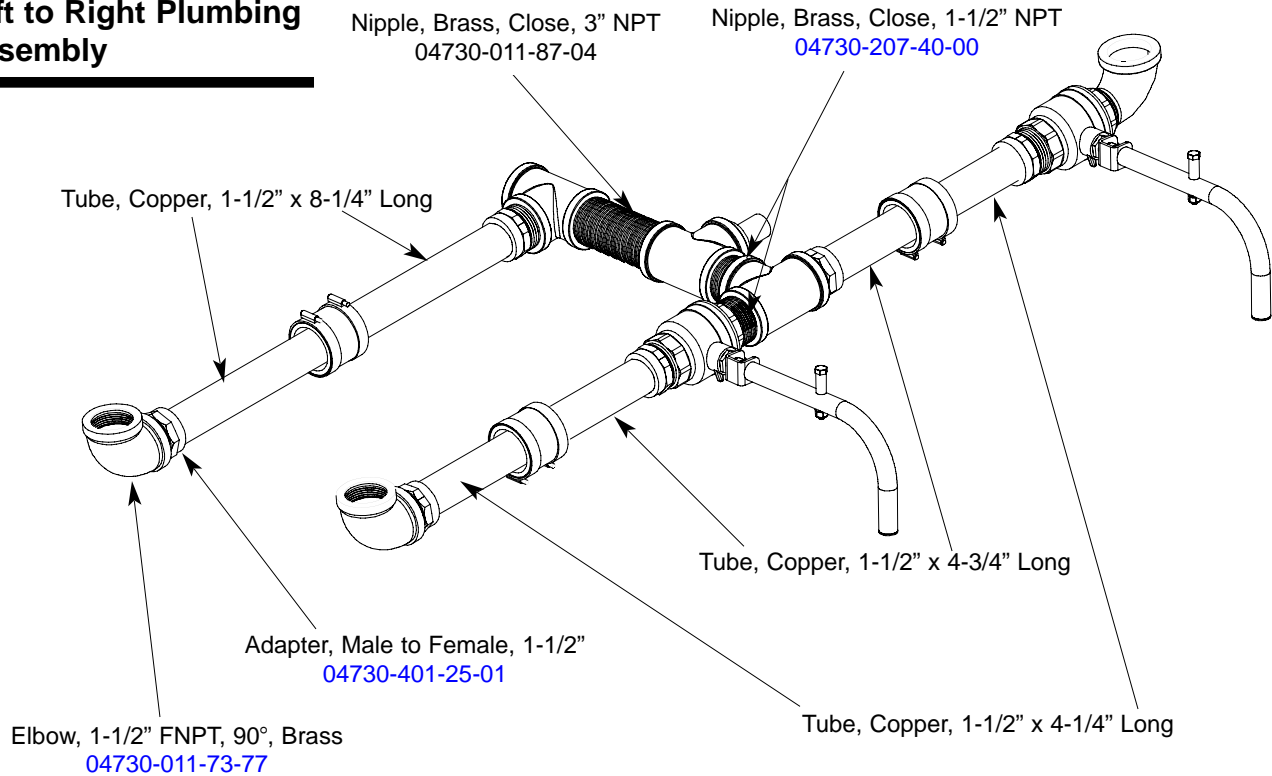
SECTION 5: PARTS SECTION
AJ-44 SERIES DRAIN PLUMBING ASSEMBLIES



SECTION 5: PARTS SECTION

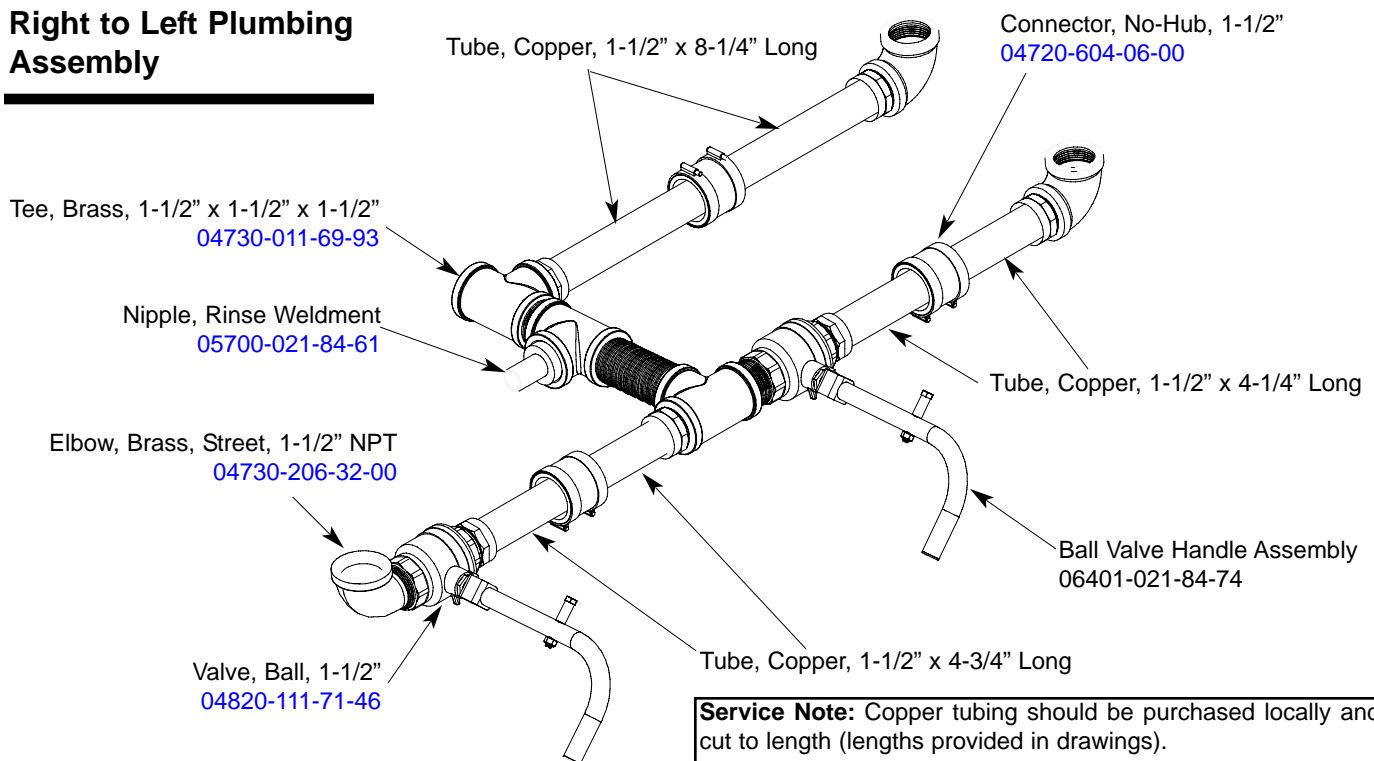
AJ-66 DRAIN PLUMBING ASSEMBLIES

Left to Right Plumbing Assembly



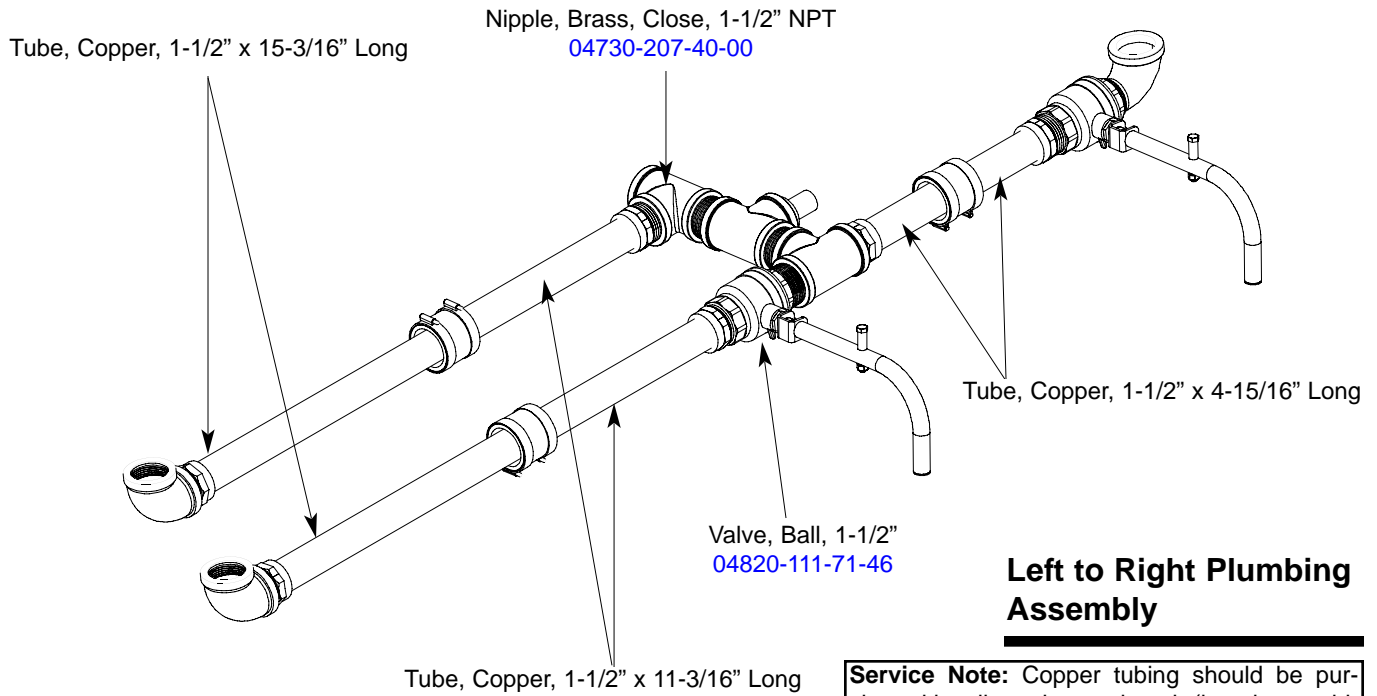
All parts are common to both assemblies.

Right to Left Plumbing Assembly



SECTION 5: PARTS SECTION

AJ-80 DRAIN PLUMBING ASSEMBLIES

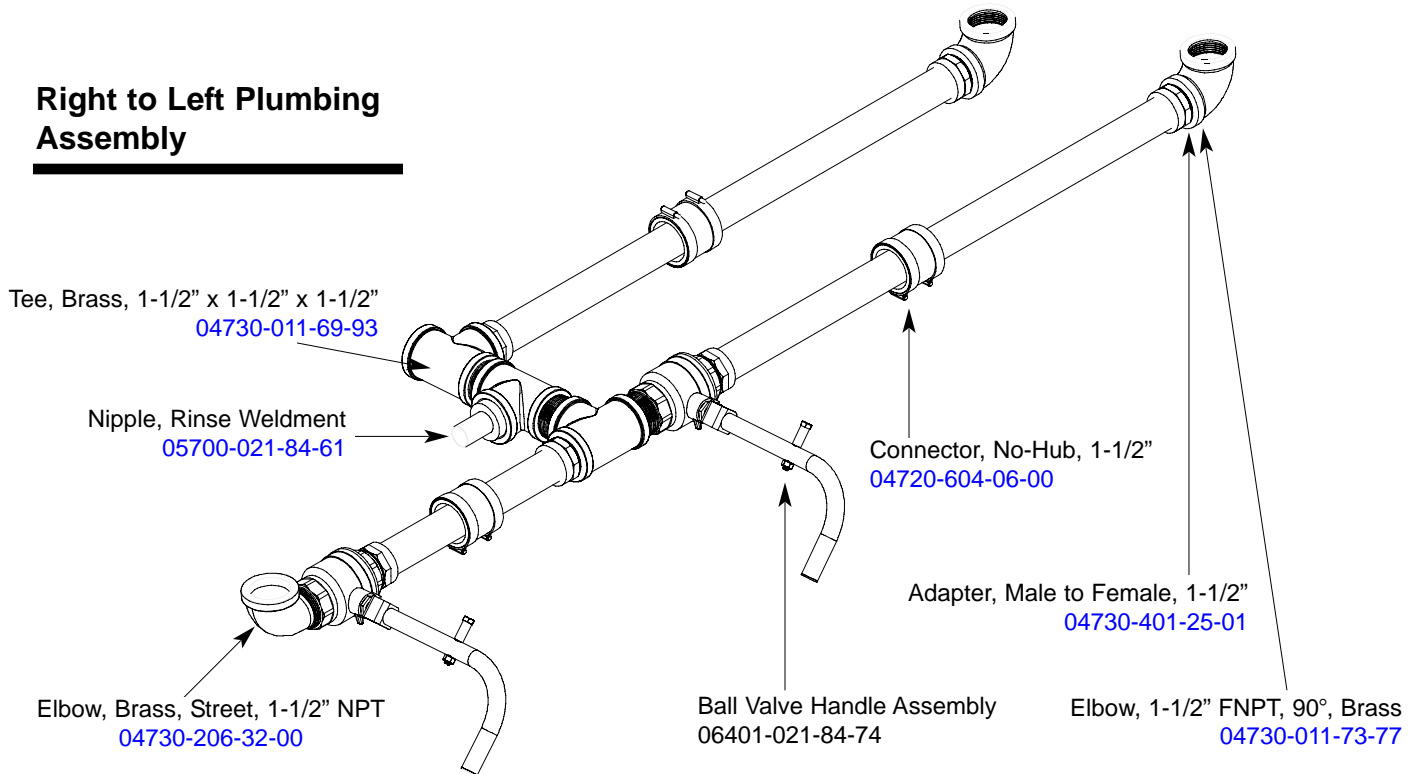


Left to Right Plumbing Assembly

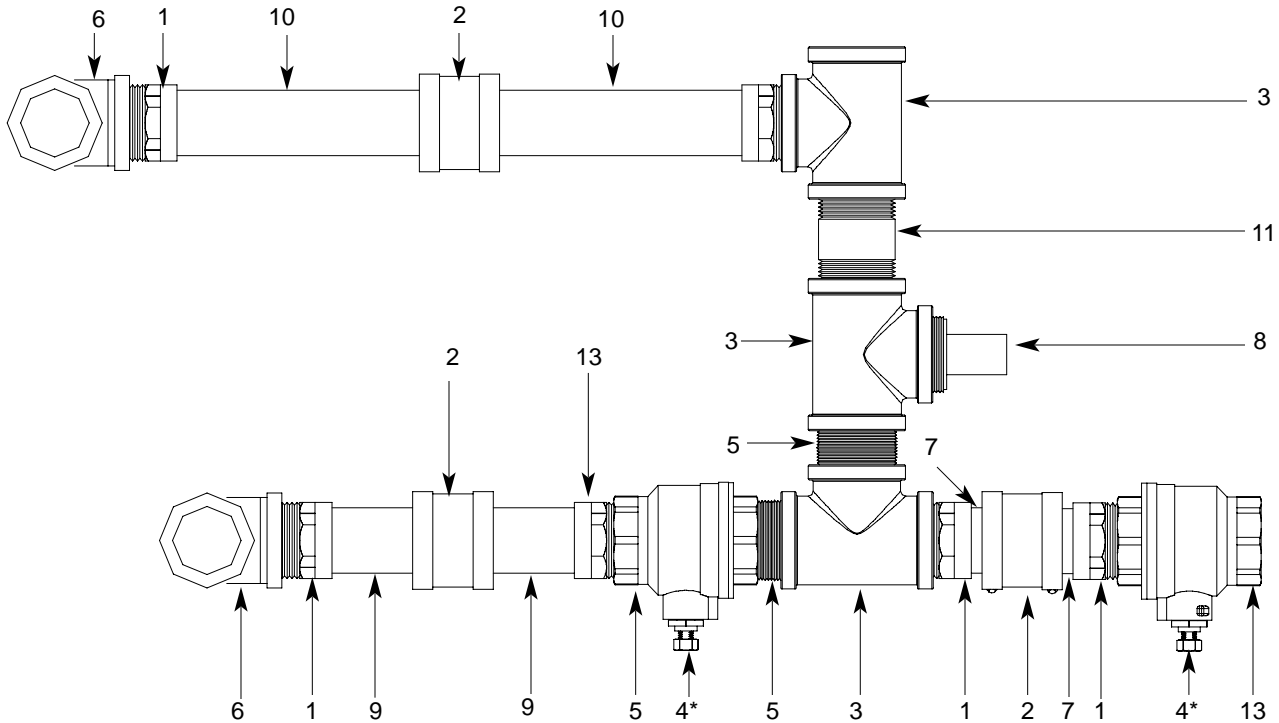
Service Note: Copper tubing should be purchased locally and cut to length (lengths provided in drawings).

Assemblies are mirrored and all parts are common to both assemblies.

Right to Left Plumbing Assembly



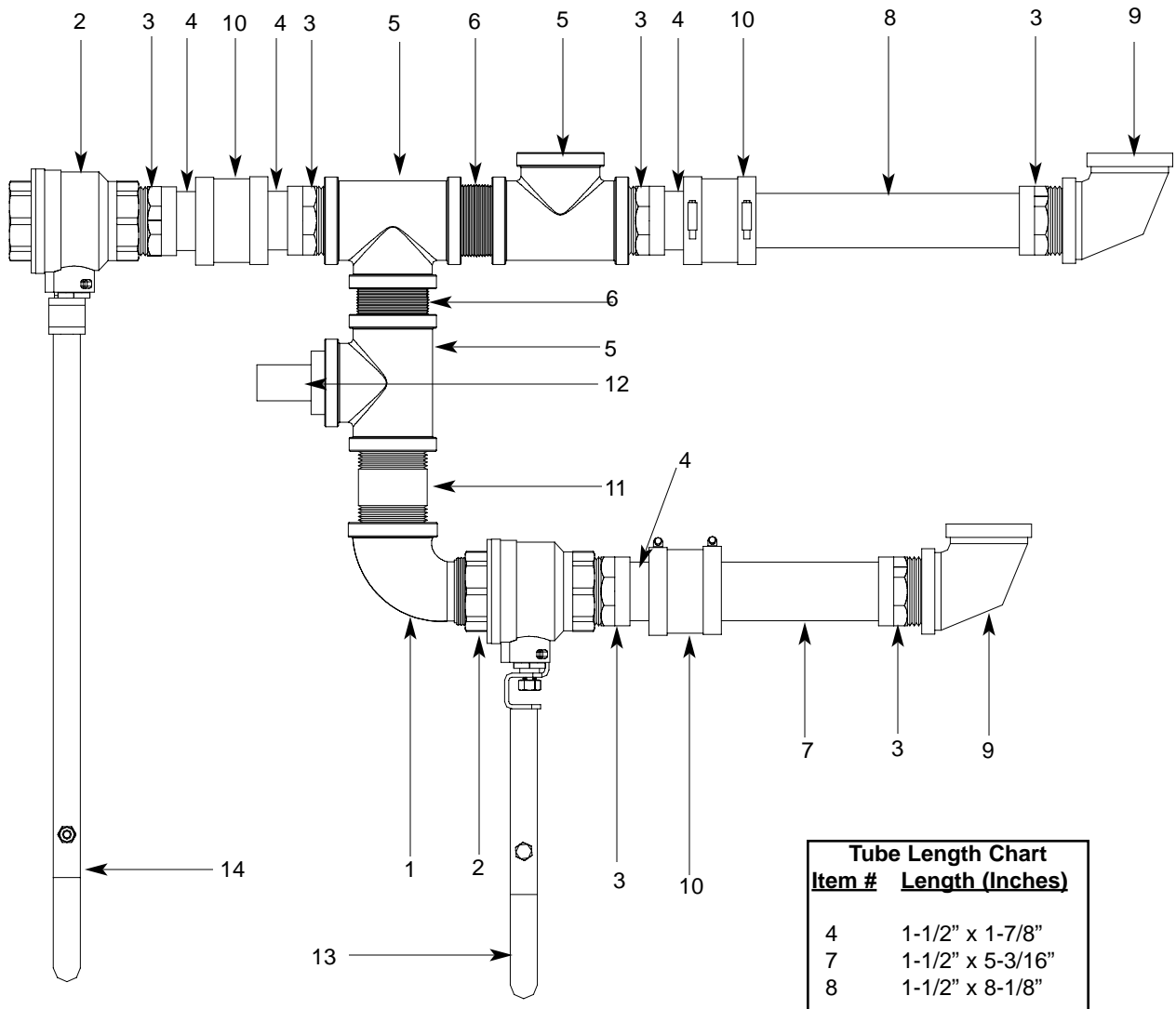
SECTION 5: PARTS SECTION
AJ-66CGP (LEFT TO RIGHT) DRAIN PLUMBING ASSEMBLY



ITEM	QTY	DESCRIPTION	Mfg. No.
1	6	Adapter, Male to Female, 1-1/2"	04730-401-25-01
2	3	No-Hub Connector	04720-604-06-00
3	3	Tee, Brass, 1-1/2" FNPT	04730-011-69-93
4	2	Ball Valve, 1-1/2" FNPT	04820-011-71-46
*	2	Valve Handle Weldment Assembly (Not Shown)	06401-021-84-74
5	2	Nipple, Brass, Close, 1-1/2" NPT	04730-207-40-00
6	2	Elbow, Brass, 90°, 1-1/2" FNPT	04730-011-73-77
7	2	Tube, Copper, 1-1/2" x 1-3/4" Long	See Service Note
8	1	Rinse Nipple Weldment	05700-021-84-61
9	2	Tube, Copper, 1-1/2" x 3-1/2" Long	See Service Note
10	2	Tube, Copper, 1-1/2" x 7-1/2" Long	See Service Note
11	1	Nipple, Brass, 1-1/2" NPT x 3" Long	04730-011-87-04

Service Note: Copper tubing should be purchased locally and cut to length (lengths provided in parts list above).

SECTION 5: PARTS SECTION
AJ-66CGP (RIGHT TO LEFT) DRAIN PLUMBING ASSEMBLY



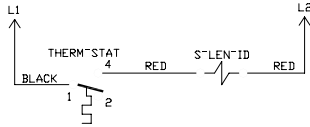
Tube Length Chart	
Item #	Length (Inches)
4	1-1/2" x 1-7/8"
7	1-1/2" x 5-3/16"
8	1-1/2" x 8-1/8"

ITEM	QTY	DESCRIPTION	Mfg. No.
1	1	Elbow, 1-1/2" NPT, Brass, Street	04730-206-32-00
2	2	Valve, Ball, 1-1/2" FNPT	04820-011-71-46
3	6	Adapter, Male to Female, 1-1/2"	04730-401-25-01
4	4	Tube, Copper	See Chart
5	3	Tee, Brass, 1-1/2" FNPT	04730-011-69-93
6	2	Nipple, Brass, 1-1/2" NPT, Close	04730-207-40-00
7	2	Tube, Copper	See Chart
8	2	Tube, Copper	See Chart
9	2	Elbow, Brass, 90°, 1-1/2" FNPT	04730-011-73-77
10	3	No-Hub Connector	04720-604-06-00
11	1	Nipple, Brass, 1-1/2" NPT x 3" Long	04730-011-87-04
12	1	Rinse Nipple Weldment	05700-021-84-61
13	1	Valve Handle Weldment Assembly	06401-021-84-74
14	1	Valve Handle Weldment Assembly	06401-002-57-83

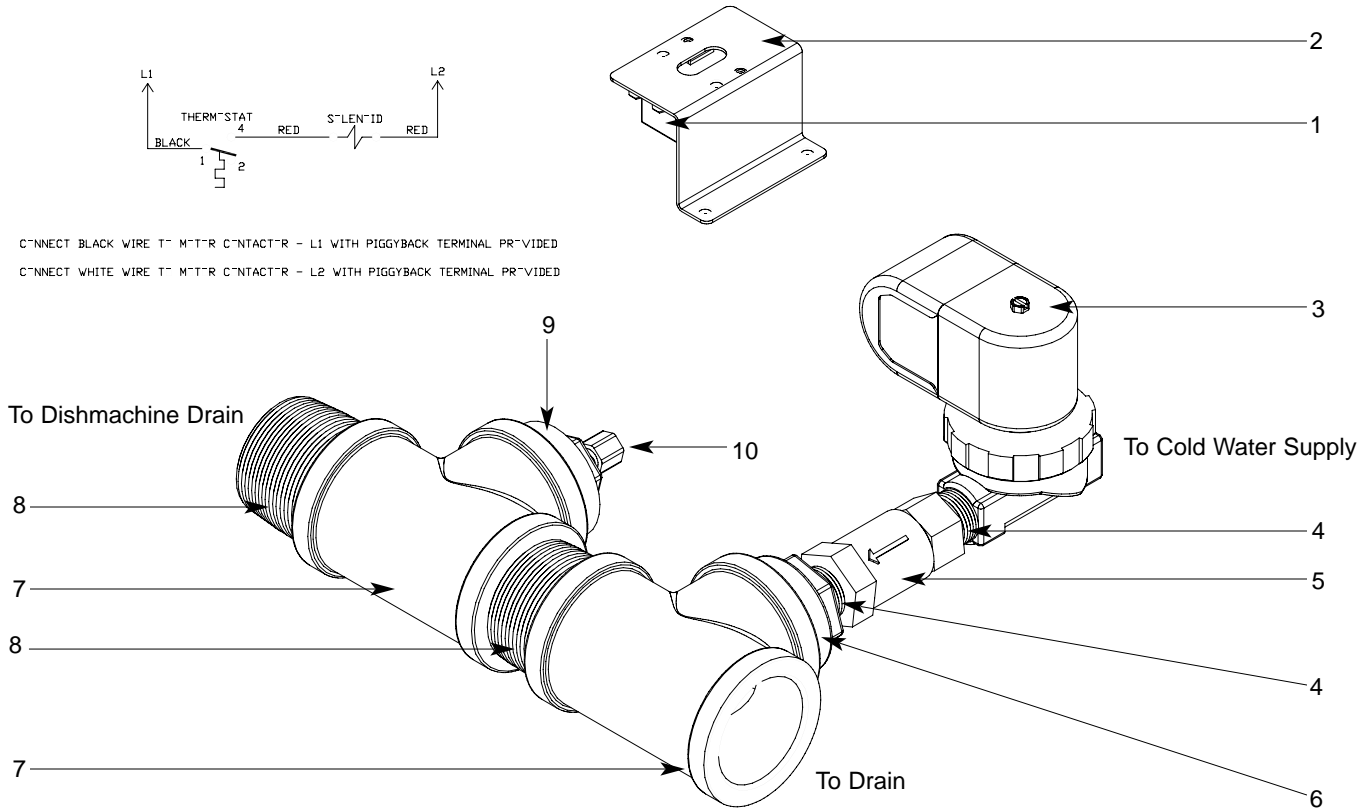
SECTION 5: PARTS SECTION

DRAIN QUENCH SYSTEM

Schematic



CONNECT BLACK WIRE TO MOTOR CONTACTOR - L1 WITH PIGGYBACK TERMINAL PROVIDED
 CONNECT WHITE WIRE TO MOTOR CONTACTOR - L2 WITH PIGGYBACK TERMINAL PROVIDED



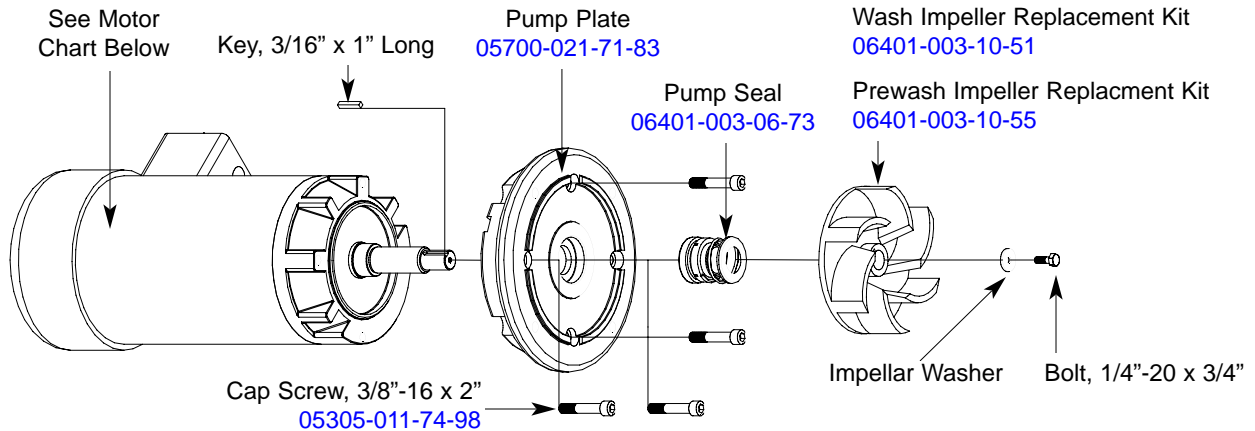
From the existing drain, attach the two additional Tees (Item 7) using the 1-1/2" NPT Close Nipples (Item 8). Tighten the Reducers (Items 6 & 9) into the Tees as shown above. Attach the Modified Compression Fitting (Item 10) into the 1-1/2" to 1/4" Reducer (Item 9). Position the bulb of the thermostat (Item 1) so that it rests approximately 1/4" from the bottom of the Tee (Item 7). Tighten the Modified Compression Fitting (Item 10) as required.

Mount the Thermostat (Item 1) to the tub using the Thermostat Bracket (Item 2) and set it for 120°F - 140°F. Install the Solenoid Valve (Item 3) to the second Tee (Item 7) and then attach to the incoming cold water line. Use pipe dope or thread tape as required to prevent any leaks.

ITEM	QTY	DESCRIPTION	Mfg. No.
1	1	Thermostat	05930-121-67-72
2	1	Thermostat Bracket	05700-022-73-72
3	1	Solenoid Valve	04810-100-09-18
4	2	Nipple, Close, 1/2" NPT, Brass	04730-207-15-00
5	1	Valve, Check, 1/2"	04820-002-55-77
6	1	Reducer, 1-1/2" to 1/2"	04730-002-55-75
7	2	Tee, 1-1/2" x 1-1/2" x 1-1/2"	04730-011-69-93
8	2	Nipple, 1-1/2", Close, Brass	04730-207-40-00
9	1	Reducer, 1-1/2" to 1/4"	04730-002-55-76
10	1	Modified Compression Fitting	05700-001-16-52
	1	Complete Kit	06401-002-44-07

SECTION 5: PARTS SECTION

MOTOR ASSEMBLIES



Replacement Kit Notes:
 The impeller replacement kits come with the impeller, washer, key and bolt. The motor kits come with everything detailed above as well as two new mounting gaskets.

Kit, Motor Brkt Replace
 06401-021-73-42

WASH MOTOR CHART

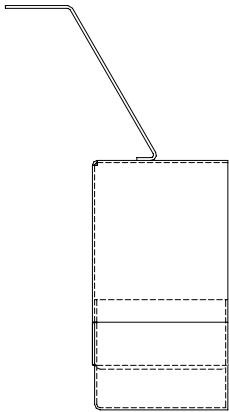
Volts	Phase	Hz	Motor Part Number	Kit Part Number
200 - 440	3	50	06105-121-81-34	06401-003-09-96
208 - 230	1	60	06105-021-70-57	06401-003-09-97
200 - 230	3	60	06105-121-70-58	06401-003-09-98
380	3	60	06105-121-81-34	06401-003-09-96
460	3	60	06105-121-70-58	06401-003-09-98
600	3	60	06105-002-48-31	06401-003-09-99

PREWASH MOTOR CHART

Model(s)	Volts	Phase	Hz	Part Number	Kit Part Number
AJ-66's	208	3	50	06105-121-70-56	06401-003-10-38
	220	3	50	06105-121-70-56	06401-003-10-38
	230	3	50	06105-121-70-56	06401-003-10-38
	380	3	50	06105-121-81-34	06401-003-10-39
	415	3	50	06105-121-81-34	06401-003-10-39
	440	3	50	06105-121-70-56	06401-003-10-38
	208	1	60	06105-121-70-55	06401-003-10-40
	230	1	60	06105-121-70-55	06401-003-10-40
	200	3	60	06105-121-70-56	06401-003-10-38
	220	3	60	06105-121-70-56	06401-003-10-38
	230	3	60	06105-121-70-56	06401-003-10-38
	380	3	60	06105-121-70-56	06401-003-10-38
	460	3	60	06105-121-70-56	06401-003-10-38
AJ-80's	208	3	50	06105-121-81-34	06401-003-10-39
	220	3	50	06105-121-81-34	06401-003-10-39
	230	3	50	06105-121-81-34	06401-003-10-39
	380	3	50	06105-121-81-34	06401-003-10-39
	415	3	50	06105-121-81-34	06401-003-10-39
	440	3	50	06105-121-81-34	06401-003-10-39
	208	1	60	06105-121-70-57	06401-003-10-42
	230	1	60	06105-121-70-57	06401-003-10-42
	200	3	60	06105-121-70-58	06401-003-10-43
	220	3	60	06105-121-70-58	06401-003-10-43
	230	3	60	06105-121-70-58	06401-003-10-43
	380	3	60	06105-121-81-34	06401-003-10-39
	460	3	60	06105-121-70-58	06401-003-10-43
600	3	60	06105-002-48-31	06401-003-10-41	

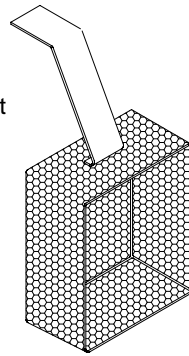
Motor Mounting Gasket
 06401-003-06-75

SECTION 5: PARTS SECTION
PREWASH & WASH PUMP WELDMENTS

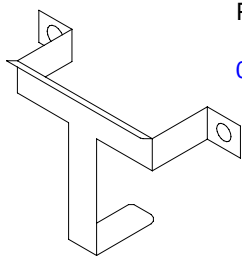
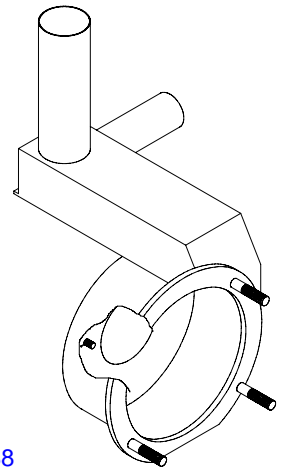


Intake Suction Scoop Weldment
 05700-021-87-60

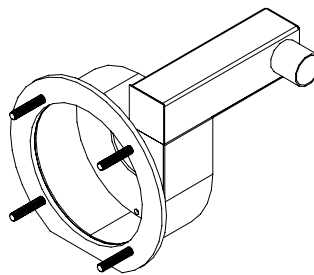
Prewash Intake
 Strainer Weldment
 05700-021-74-96



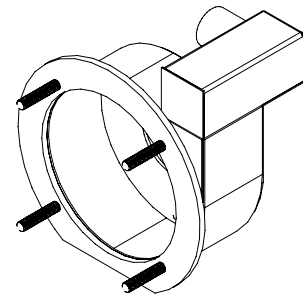
Wash Pump
 Weldment
 05700-041-68-88



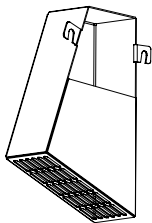
Prewash Strainer
 Bracket
 05700-021-74-94



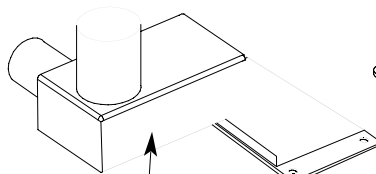
Prewash Pump Weldment
 AJ-66/AJ-80 Left to Right models:
 05700-002-10-62



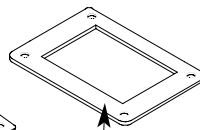
Prewash Pump Weldment
 AJ-66/AJ-80 Right to Left models:
 05700-002-11-96



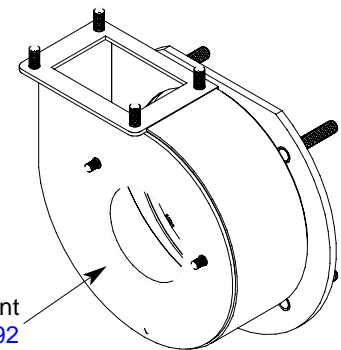
Scoop, Intake Suction Wash
 Weldment
 05700-002-51-20



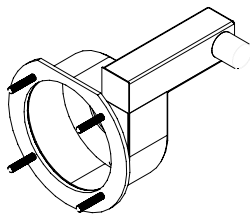
Pump Discharge
 Weldment
 05700-002-50-90



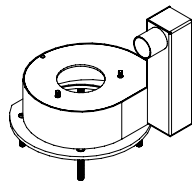
Gasket
 05330-002-54-55



Wash Pump Weldment
 05700-002-50-92



Prewash Pump Weldment
 AJ-66CGP Left to Right model
 05700-002-43-56



Prewash Pump Weldment
 AJ-66CGP Right to Left model
 05700-002-42-69

SECTION 5: PARTS SECTION

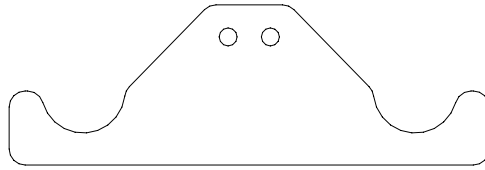
LOWER WASH ARM ASSEMBLY

Lower Wash Arm Support Bracket

05700-011-71-20

Secured with Locknut, 1/4"-20 with Nylon Insert

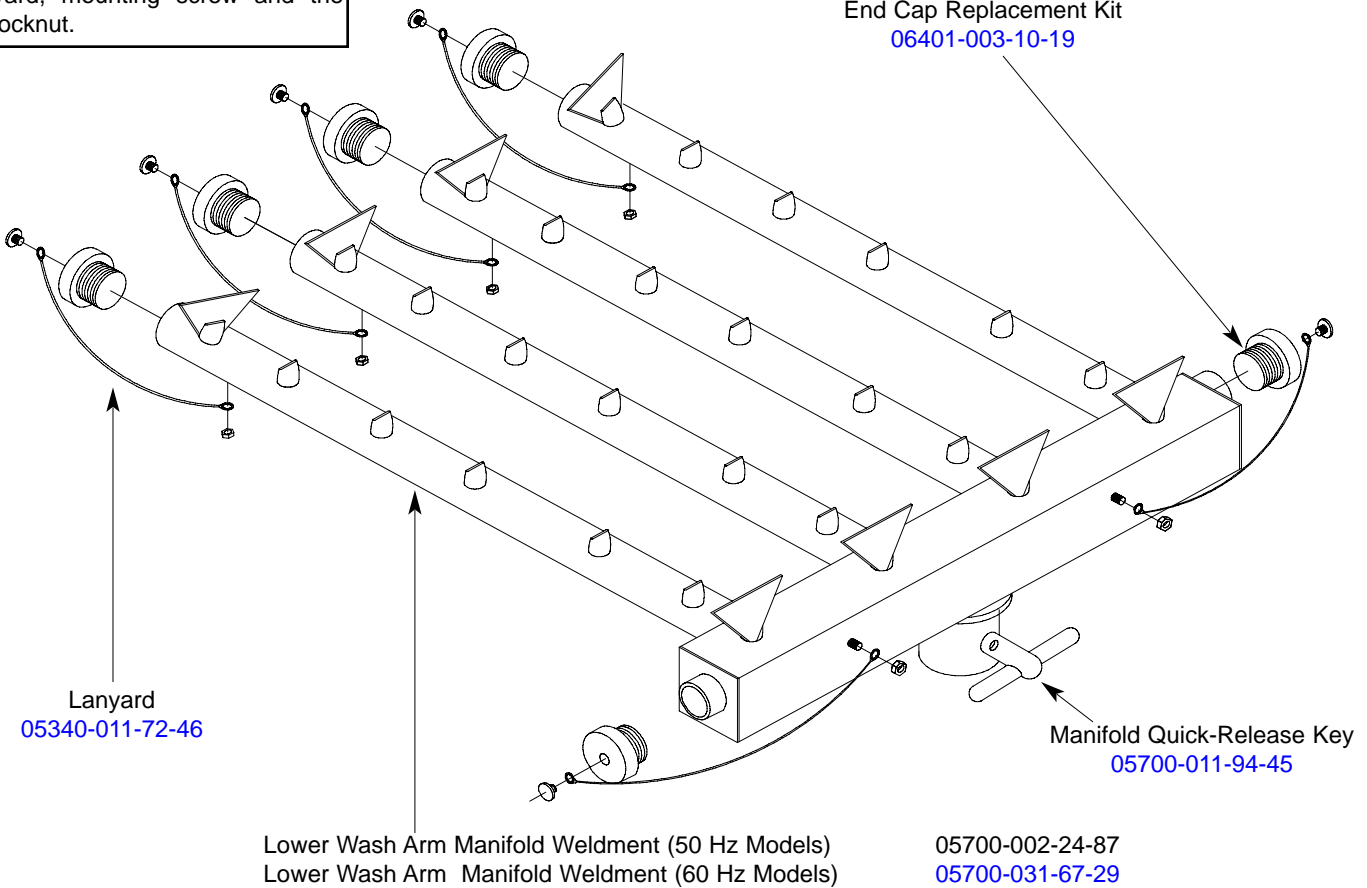
05310-374-01-00



Replacement Kit Note:
The replacement kit for the end cap includes the endcap, lanyard, mounting screw and the locknut.

End Cap Replacement Kit

06401-003-10-19



Lanyard

05340-011-72-46

Lower Wash Arm Manifold Weldment (50 Hz Models)

05700-002-24-87

Lower Wash Arm Manifold Weldment (60 Hz Models)

05700-031-67-29

Manifold Quick-Release Key

05700-011-94-45

Complete Lower Wash Arm Assembly (50 Hz)

05700-002-24-86

Complete Lower Wash Arm Assembly (60 Hz)

05700-031-74-66

Service Note:

When replacing the 10-32 screws in the End Caps, it is recommended that a thread locking fluid be used to ensure that the screws do not back out during normal operation.

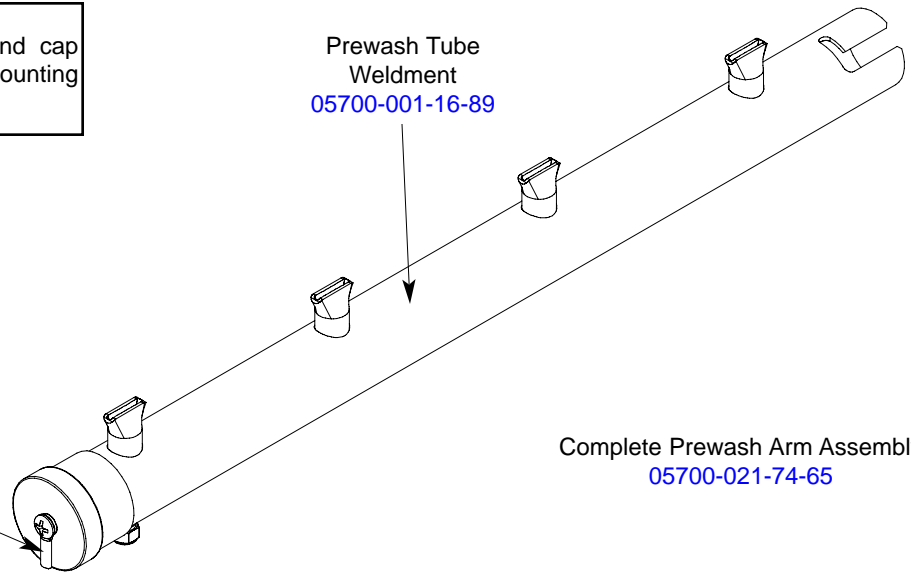
SECTION 5: PARTS SECTION
PREWASH ARM/UPPER WASH ARM ASSEMBLY

Replacement Kit Note:
 The replacement kit for the end cap includes the endcap, lanyard, mounting screw and the locknut.

End Cap Replacement Kit
 06401-003-10-19

Prewash Tube Weldment
 05700-001-16-89

Complete Prewash Arm Assembly
 05700-021-74-65



Upper Wash Manifold Support Bracket
 05700-021-73-97

Lanyard
 05340-011-72-46

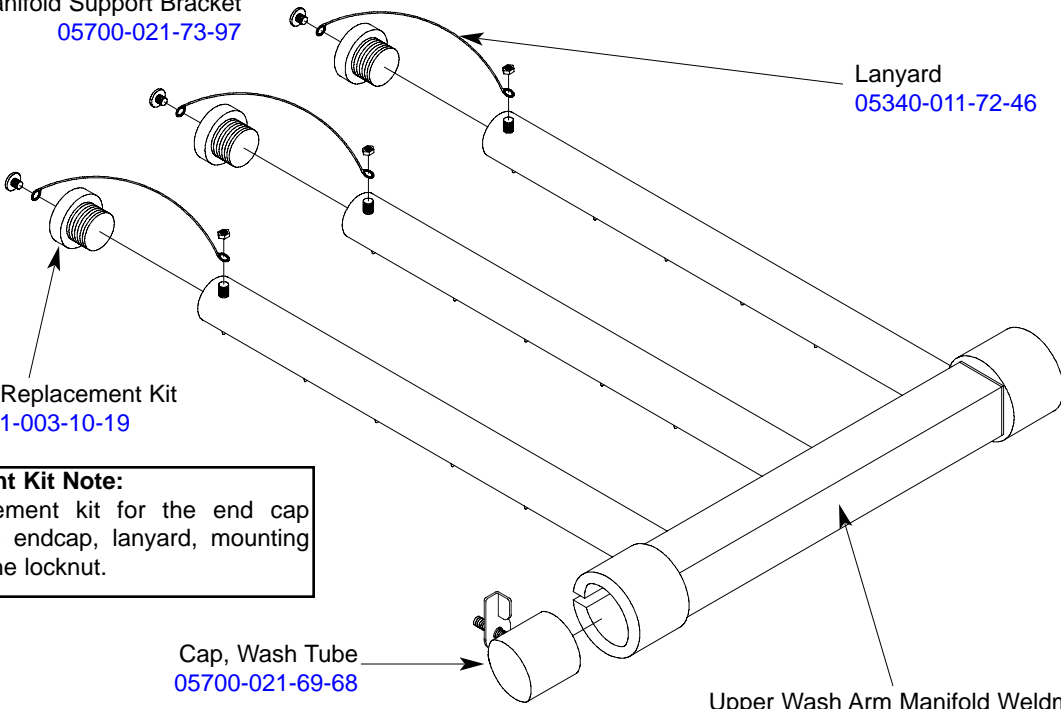
End Cap Replacement Kit
 06401-003-10-19

Replacement Kit Note:
 The replacement kit for the end cap includes the endcap, lanyard, mounting screw and the locknut.

Cap, Wash Tube
 05700-021-69-68

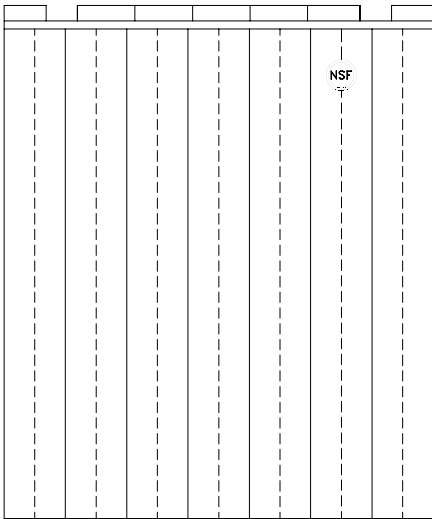
Upper Wash Arm Manifold Weldment
 05700-031-67-34

Complete Upper Arm Assembly
 05700-031-74-99

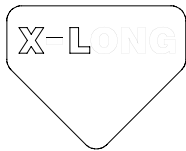


Service Note:
 When replacing the 10-32 screws in the End Caps, it is recommended that a thread locking fluid be used to ensure that the screws do not back out during normal operation.

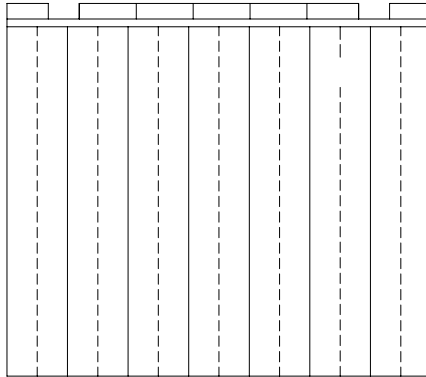
SECTION 5: PARTS SECTION
CURTAINS/TUB MAGNETS



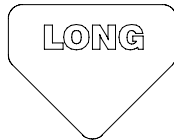
Curtain, 24 1/2" Long x 20-1/2" Wide
CGP MODELS ONLY
08415-002-47-37



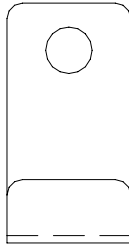
Extra Long Curtain Decal
CGP MODELS ONLY
09905-002-52-69



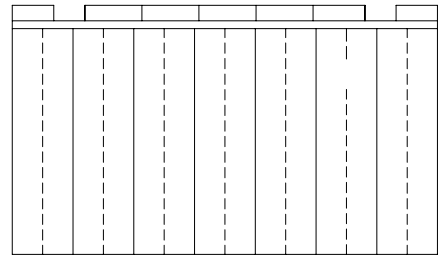
Curtain, 21" Long x 20-1/2" Wide
08415-131-73-45



Long Curtain Decal
09905-011-73-84



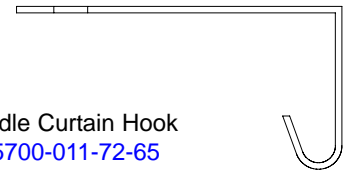
Curtain Hook
05700-011-83-54



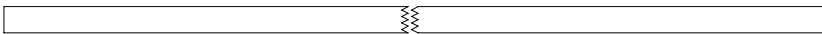
Curtain, 12" Long x 20-1/2" Wide
08415-131-73-44



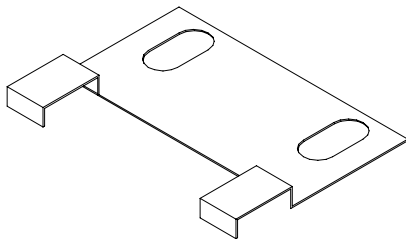
Short Curtain Decal
09905-011-73-82



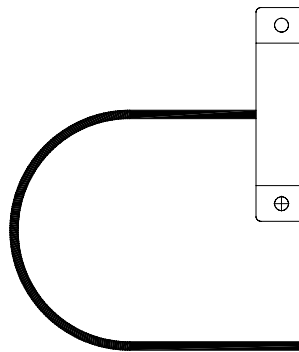
Middle Curtain Hook
05700-011-72-65



Curtain Rod
05700-021-73-43



Limit Switch Bracket
05700-021-71-18



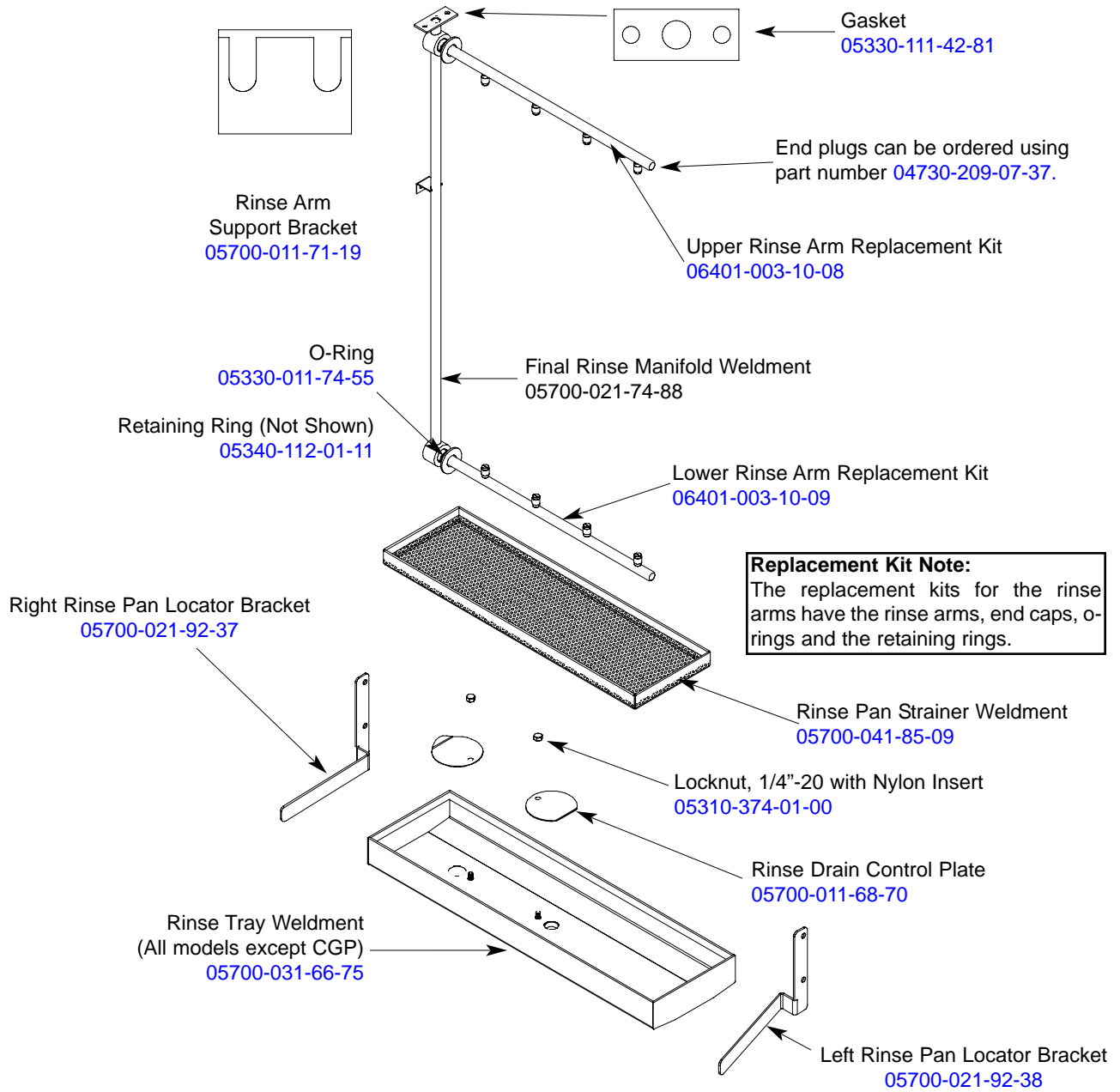
Conveyor Switch Replacement Kit
06401-003-11-79

Replacement Kit Note:
The conveyor switch replacement kit comes with the switch, a terminal and a wire nut.

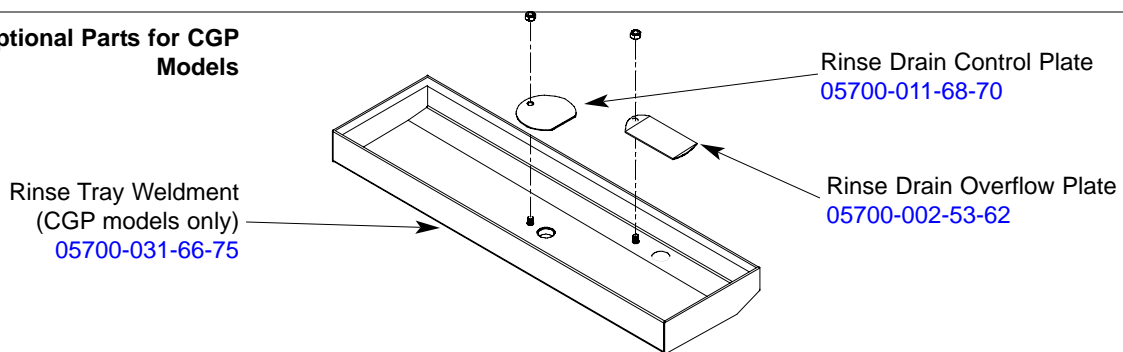
Service Note:
The cord for the conveyor switch needs to be cut to length in the field and have the pink terminal applied there.

SECTION 5: PARTS SECTION

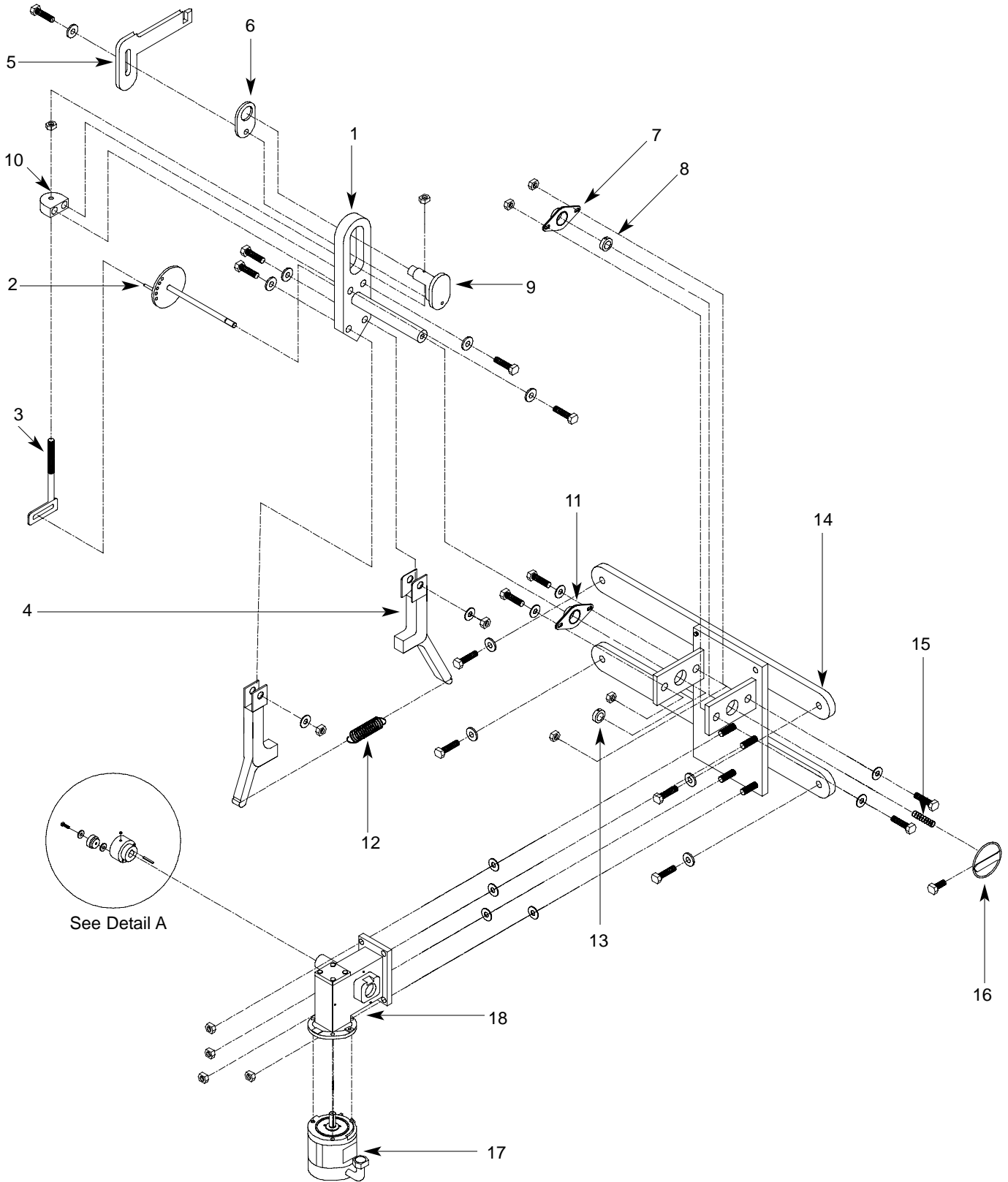
FINAL RINSE ASSEMBLY



Optional Parts for CGP Models



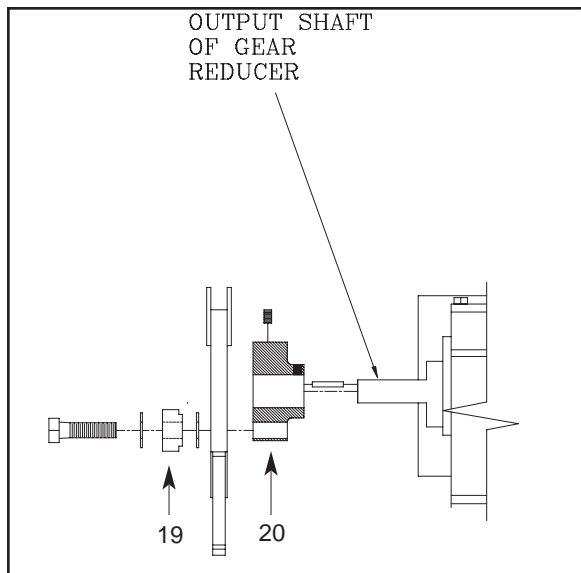
SECTION 5: PARTS SECTION
DRIVE ASSEMBLY



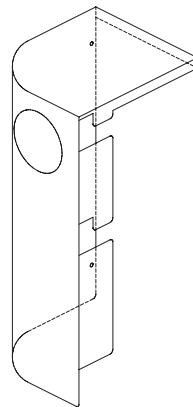
SECTION 5: PARTS SECTION

DRIVE ASSEMBLY (CONTINUED)

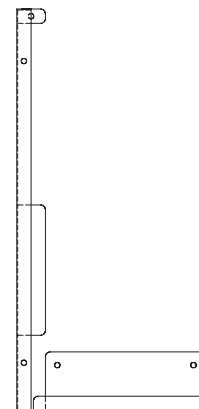
ITEM	QTY	DESCRIPTION	Mfg. No.
1	1	Drive Plate and Rod Weldment Replacement Kit with Expansion Legs Replacement Kit with Expansion Legs/Adjuster Crank	05700-021-67-44 06401-021-86-80 06401-011-94-54
2	1	Adjuster Crank Assembly	05700-021-69-95
3	1	Scotch Yoke Weldment Replacement Kit	06401-003-08-48
4	2	Coupling & Expansion Leg Weldment	09515-003-58-12
5	1	Pawl Bar Drive Linkage Casting	09515-021-87-73
6	1	Spacer Plate	05700-011-67-58
7	2	Pillow Block Replacment Kit	06401-003-08-50
8	2	Shaft Collar	05700-011-89-18
9	1	Drive Socket	05700-021-67-39
10	1	Drive Plate	05700-021-67-42
11	2	Pillow Block	03120-021-71-87
12	1	Drive Spring	05315-011-83-51
13	2	Shaft Collar	05700-011-89-18
14	1	Drive Motor Mounting Bracket	05700-031-73-56
15	1	Adjuster Spring	05315-011-71-90
16	1	Adjusting Handle Weldment	05700-021-72-28
17	1	Drive Motor Replacement Kits Drive Motor (50 Hz Models)	06401-003-08-41
	1	Drive Motor (208-230 Volt, 60 Hz, Single Phase Models)	06401-003-08-42
		Drive Motor (208-230 Volt, 60 Hz, Three Phase Models)	06401-003-08-40
		Drive Motor (600 Volt, 60 Hz, Three Phase Models)	06401-003-08-43
18	1	Gear Drive	06105-011-71-88
19	1	Roller Bearing	03120-011-71-81
20	1	Drive Hub	05700-011-67-97



Detail A



Front Drive Motor Cover
Replacement Kit
06401-003-11-64

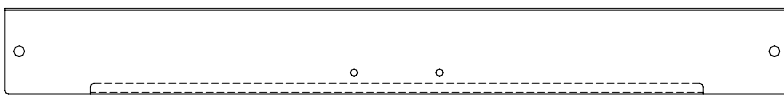
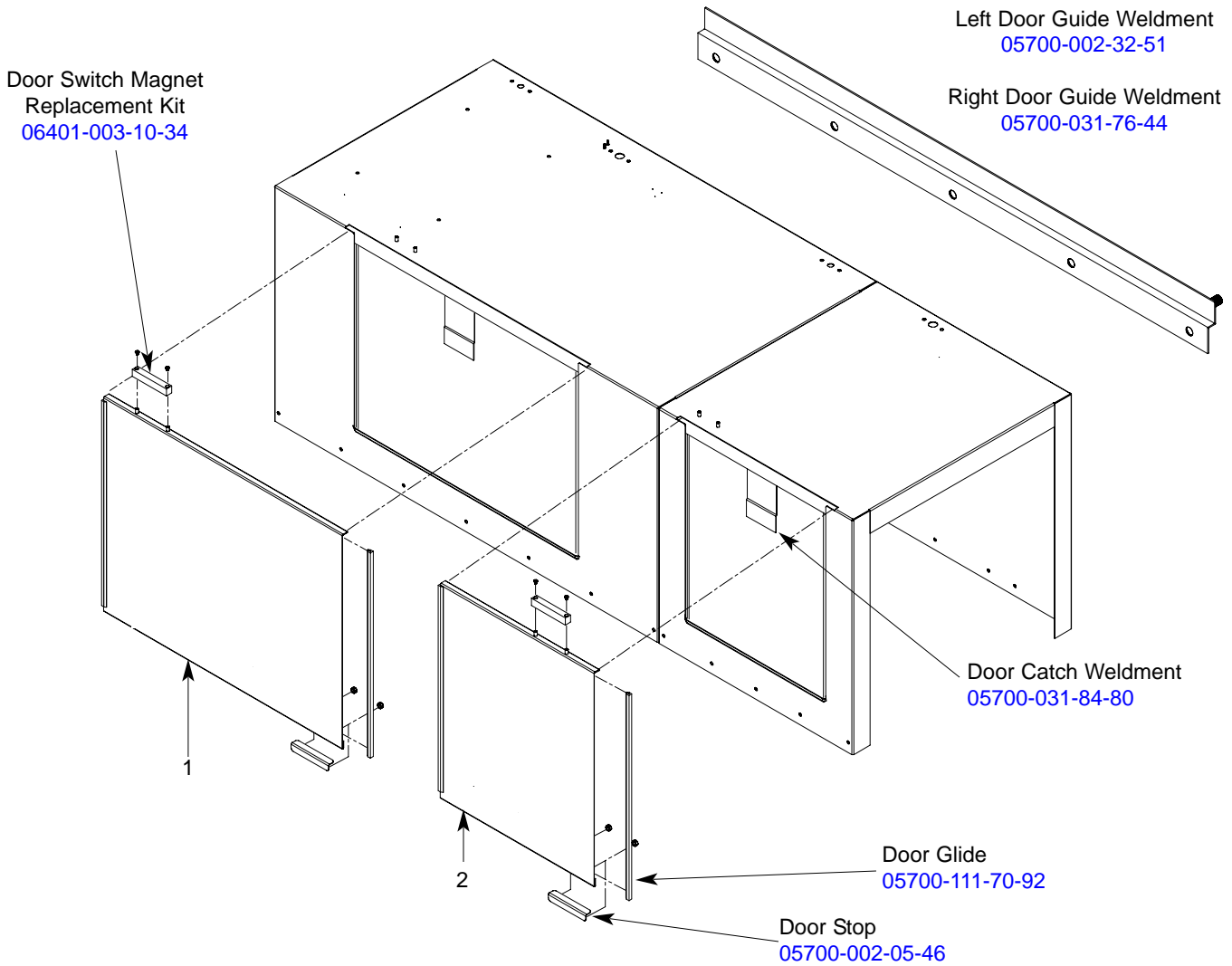


Rear Drive Motor Cover
Replacment Kit
06401-003-10-18

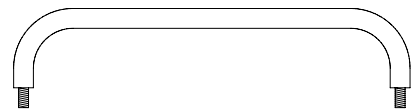
Replacement Kits Notes:

The replacement kits for the drive motor covers come with the weldments and the mounting hardware.

SECTION 5: PARTS SECTION
DOOR ASSEMBLIES



Wash Door Hood Support: 05700-031-84-13
Prewash Door Hood Support: 05700-031-84-14

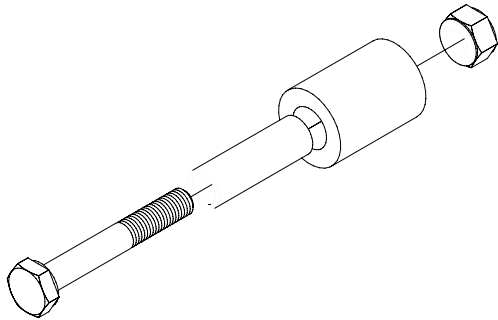


Wash Door Handle Weldment
05700-011-82-63

Prewash Door Handle Weldment
05700-011-80-45

ITEM	QTY	DESCRIPTION	Mfg. No.
1	1	Wash Door Assembly	05700-002-43-29
2	1	Prewash Door Weldment (Left to Right Model)	05700-002-52-50
2	1	Prewash Door Weldment (Right to Left Model)	05700-002-49-60
		Door Stiffener (Not Shown)	05700-031-83-43

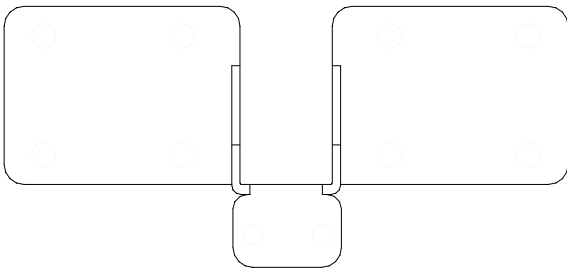
SECTION 5: PARTS SECTION
PAWL BAR MISCELLANEOUS COMPONENTS



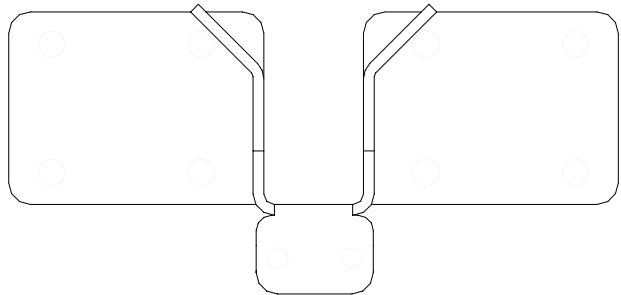
Pawl Bar Roller Replacement Kit
[06401-003-11-80](#)

Replacement Kit Notes:

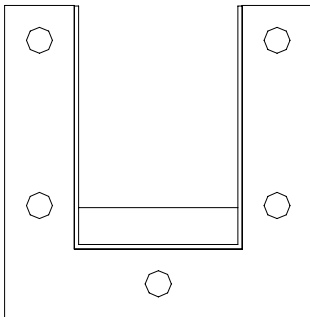
The replacement kit for the pawl bar roller comes with the roller, roller shaft, hardware and locknut as shown.



Pawl Bar Bracket (without tabs) Weldment
[05700-031-92-36](#)



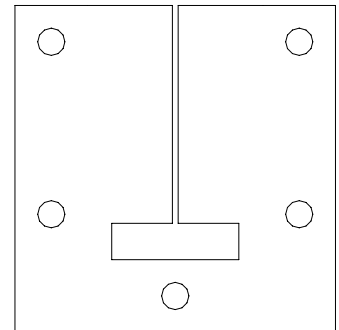
Pawl Bar Bracket (with studs) Weldment
[05700-031-84-68](#)



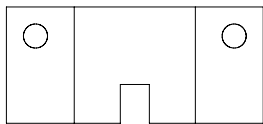
Pawl Bar Gutter Weldment Replacement Kit
[06401-003-09-95](#)

Replacement Kits Notes:

The pawl bar gutter weldment replacement kit contains the weldment, a gasket and the mounting hardware. The guide block kit contains both blocks and a gasket.



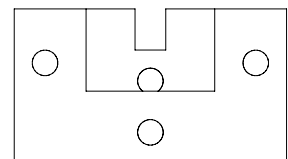
Pawl Bar Gutter Gasket
[05330-011-68-55](#)



Top Guide Block

Guide Block Replacment Kit
[06401-003-10-15](#)

Bottom Guide Block

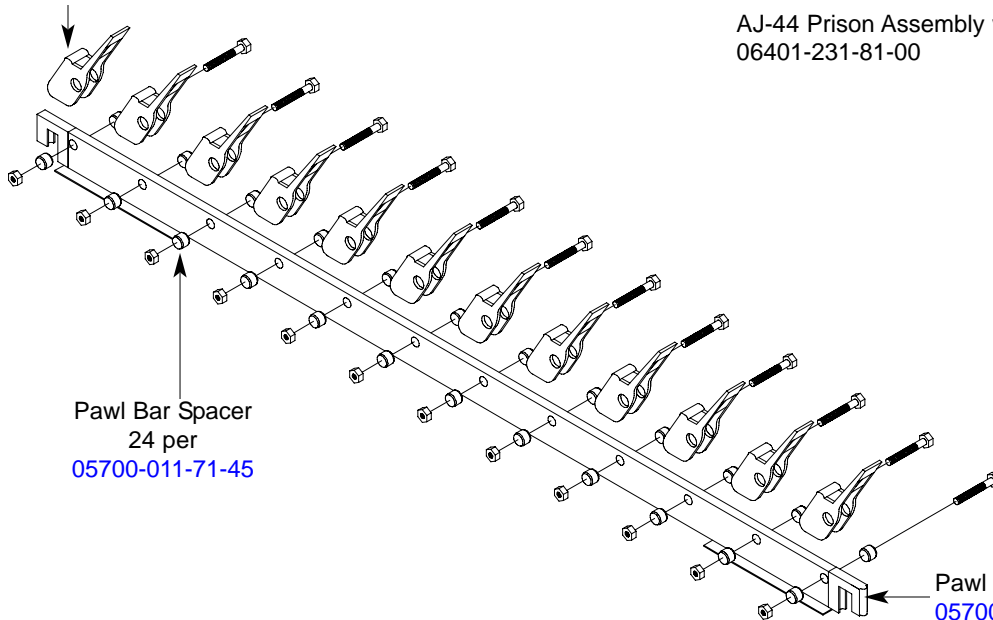


Service Note: It is highly recommended that when changing out one guide block, that the other be changed out as well, along with the gasket.

SECTION 5: PARTS SECTION

AJ-44 & AJ-66 PAWL BAR ASSEMBLIES

Pawl Bar Dog Casting
12 per
05700-021-69-00

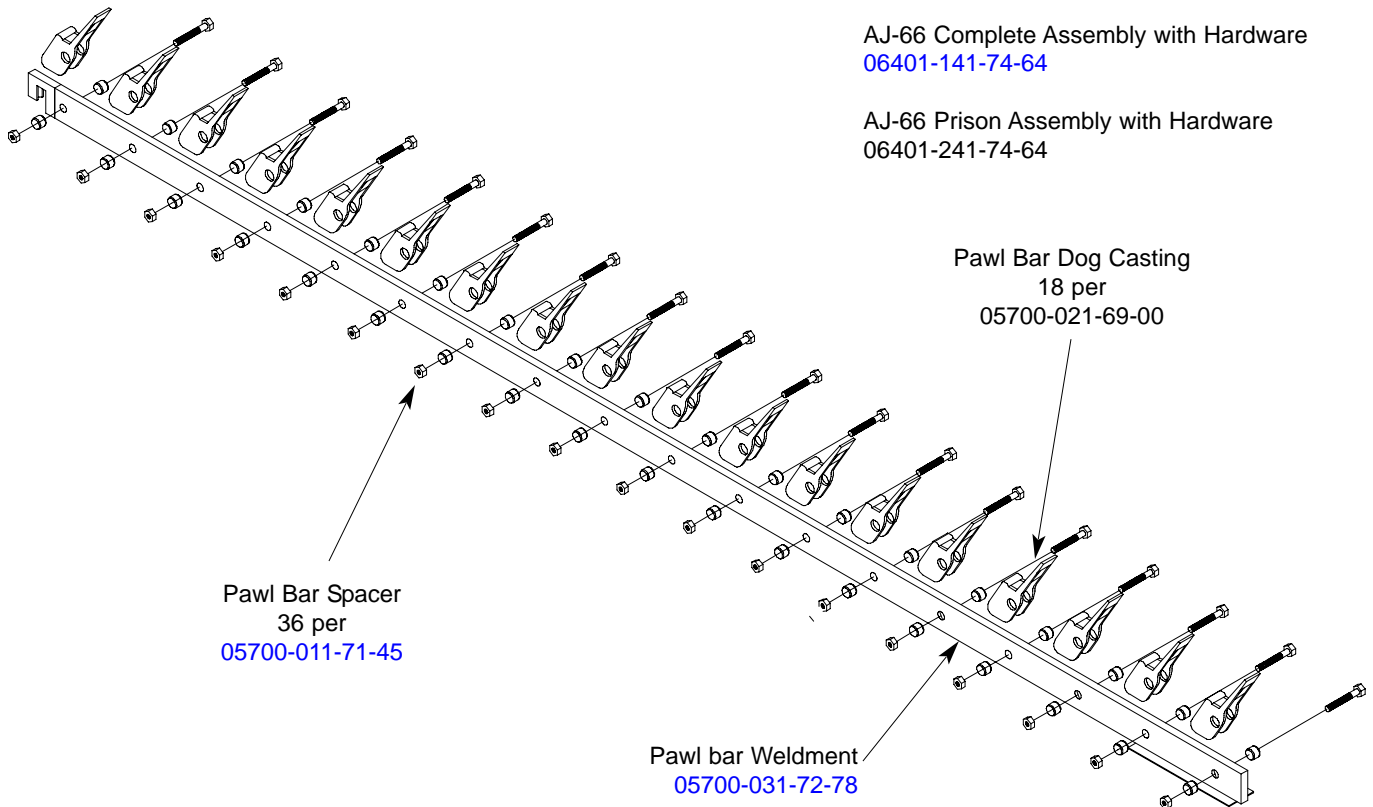


Pawl Bar Spacer
24 per
05700-011-71-45

Pawl Bar Weldment
05700-031-72-77

AJ-44 Complete Assembly with Hardware
06401-131-81-00

AJ-44 Prison Assembly with Hardware
06401-231-81-00



Pawl Bar Spacer
36 per
05700-011-71-45

Pawl Bar Dog Casting
18 per
05700-021-69-00

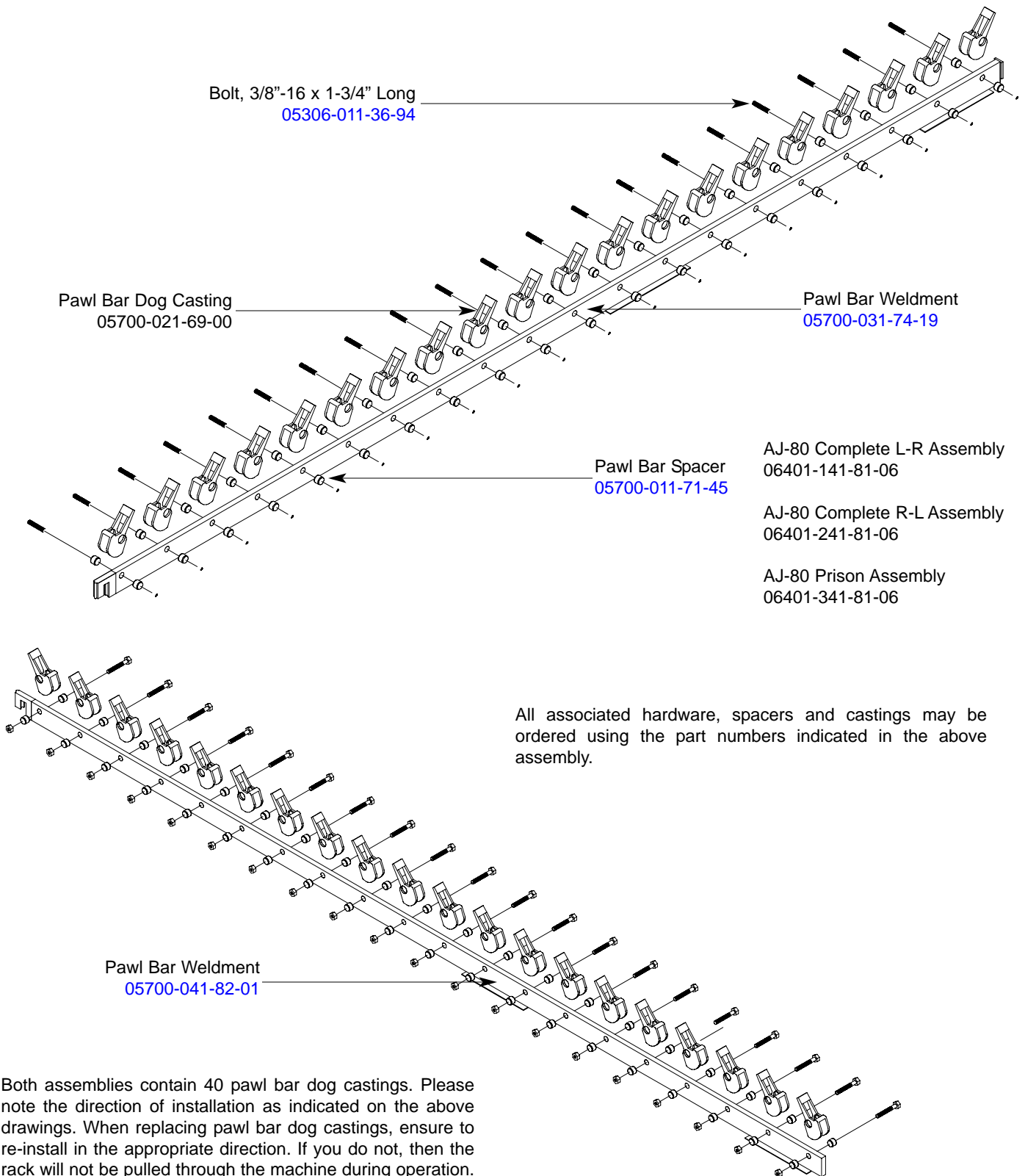
Pawl bar Weldment
05700-031-72-78

AJ-66 Complete Assembly with Hardware
06401-141-74-64

AJ-66 Prison Assembly with Hardware
06401-241-74-64

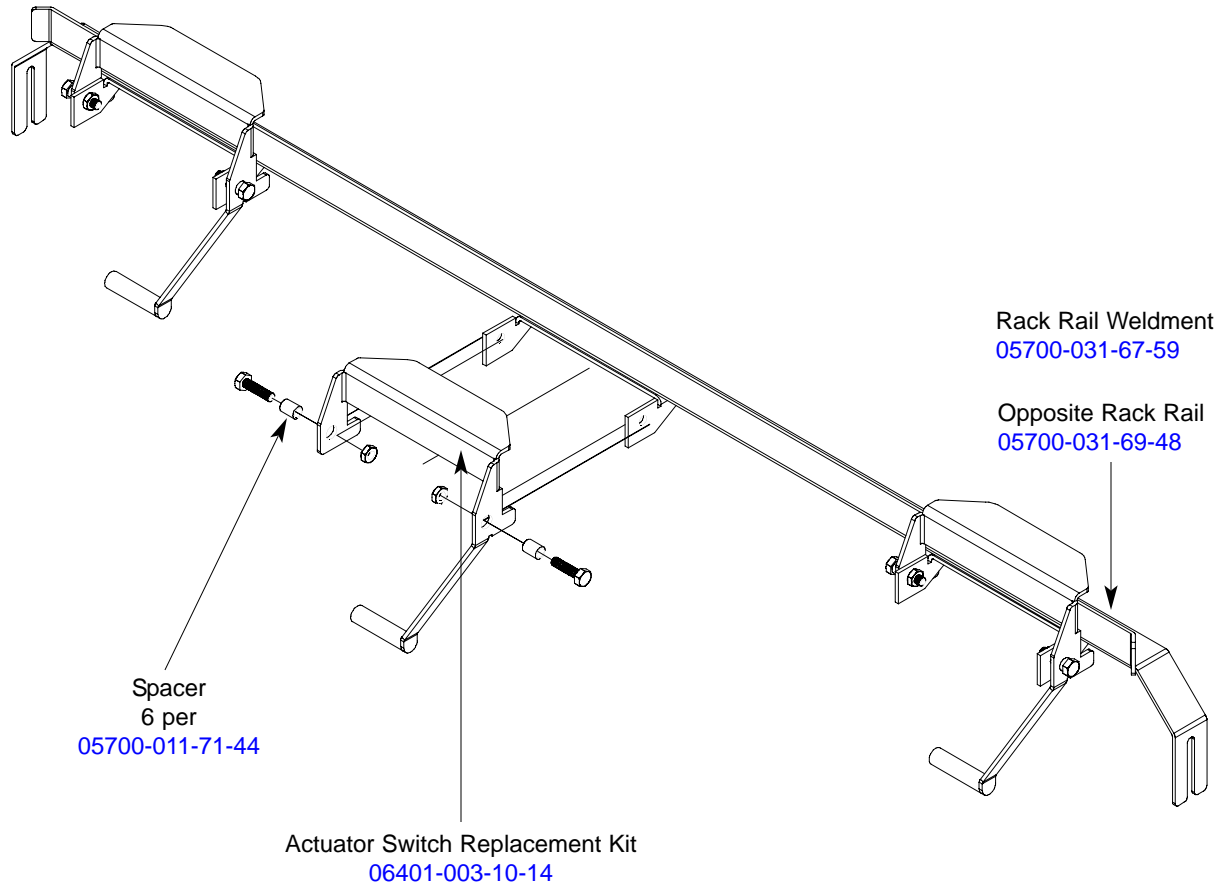
SECTION 5: PARTS SECTION

AJ-80 PAWL BAR ASSEMBLIES



SECTION 5: PARTS SECTION

AJ-44 RACK RAIL ASSEMBLY



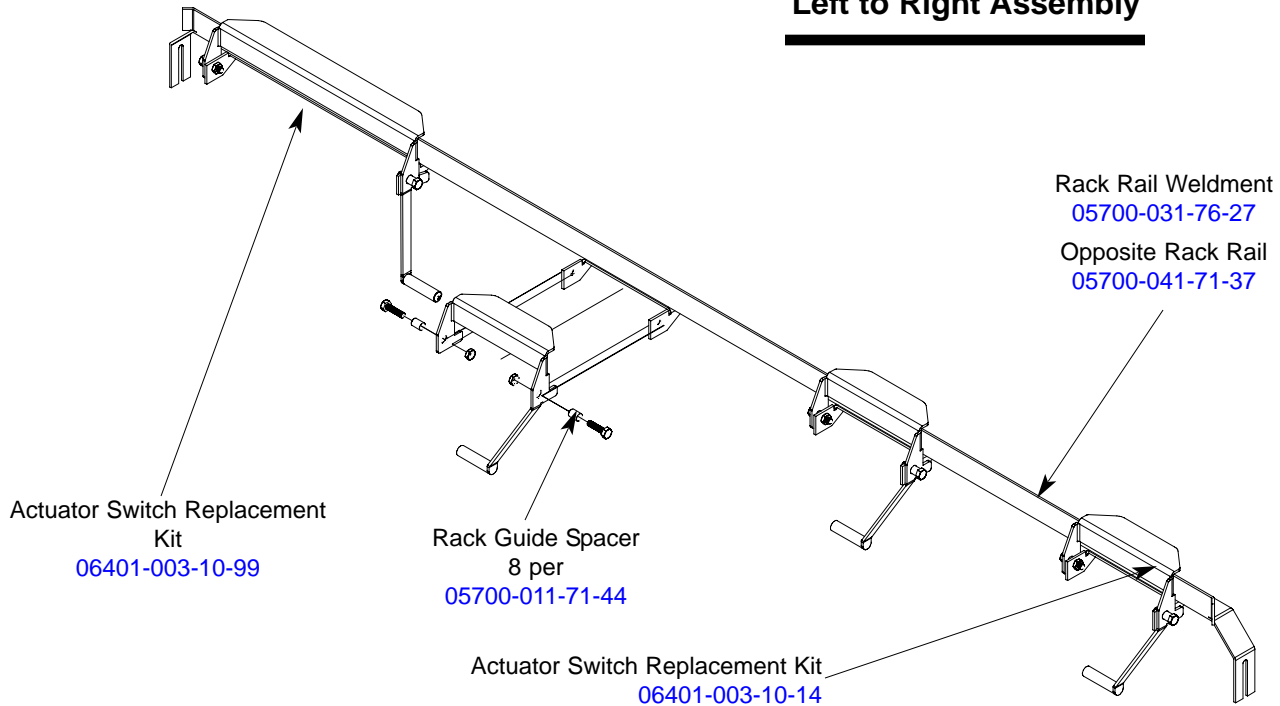
Replacement Kit Note:

The replacement kit for the actuator switch comes with the switch, two spacers and the mounting hardware.

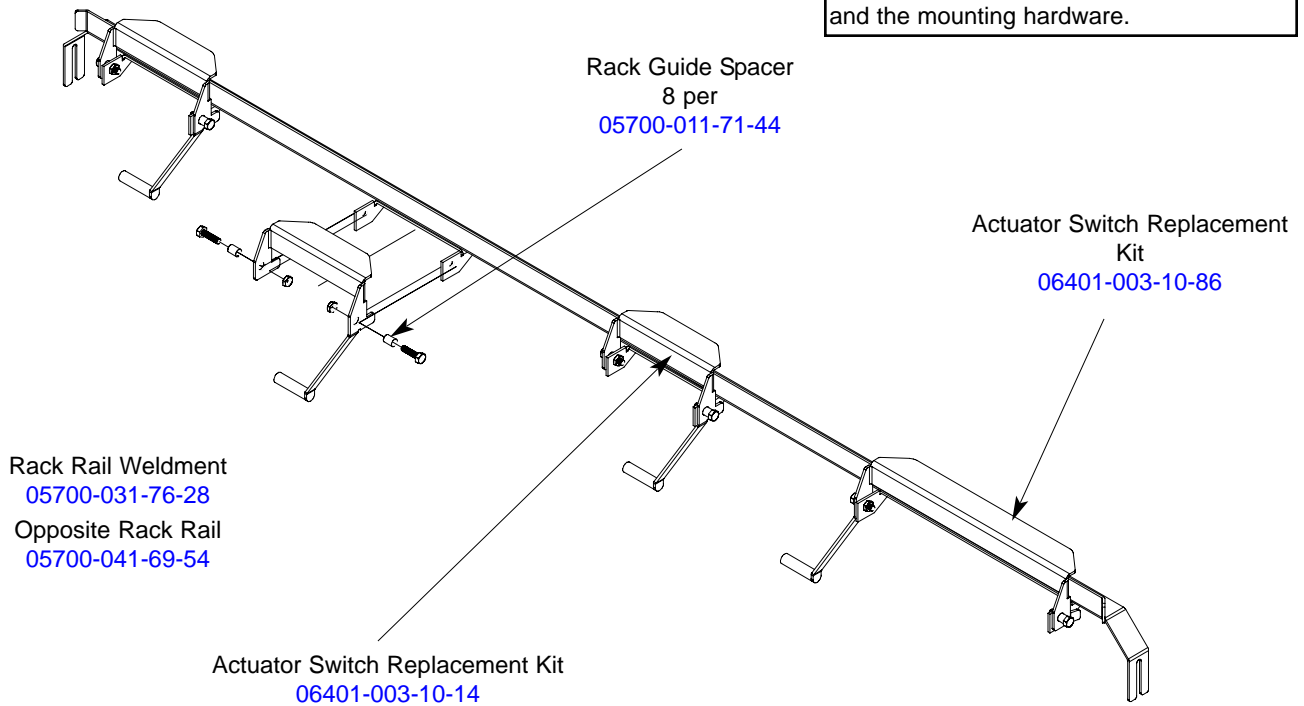
SECTION 5: PARTS SECTION

AJ-66 RACK RAIL ASSEMBLIES

Left to Right Assembly



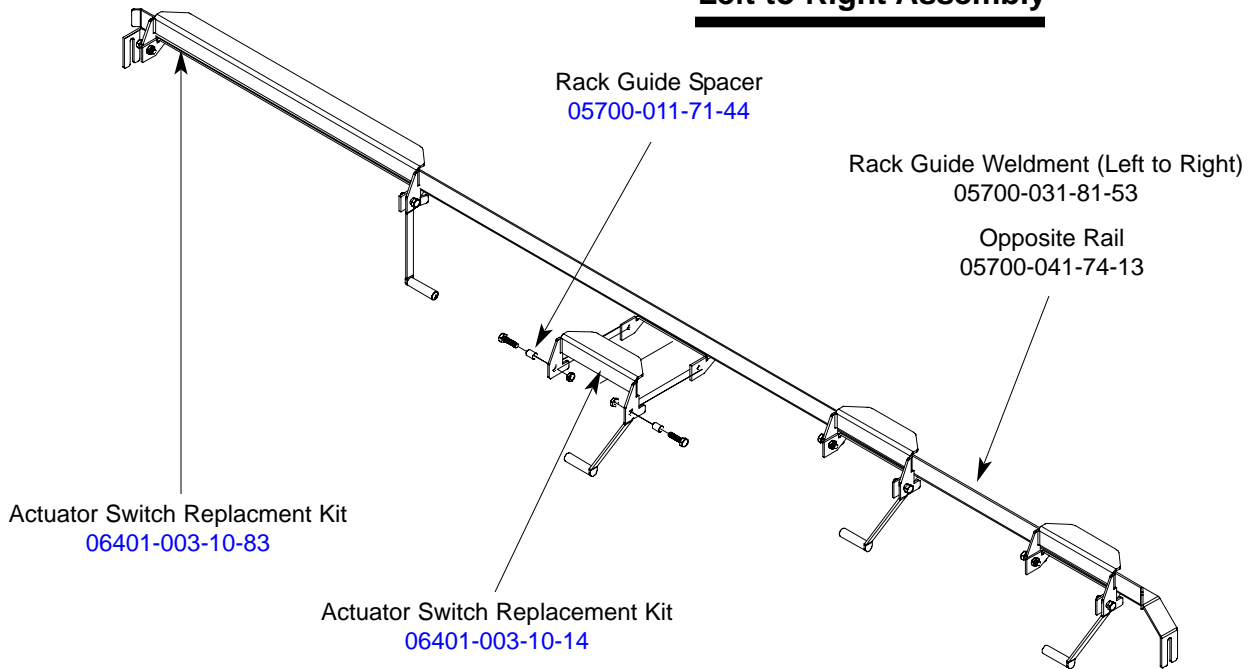
Right to Left Assembly



SECTION 5: PARTS SECTION

AJ-80 RACK RAIL ASSEMBLIES

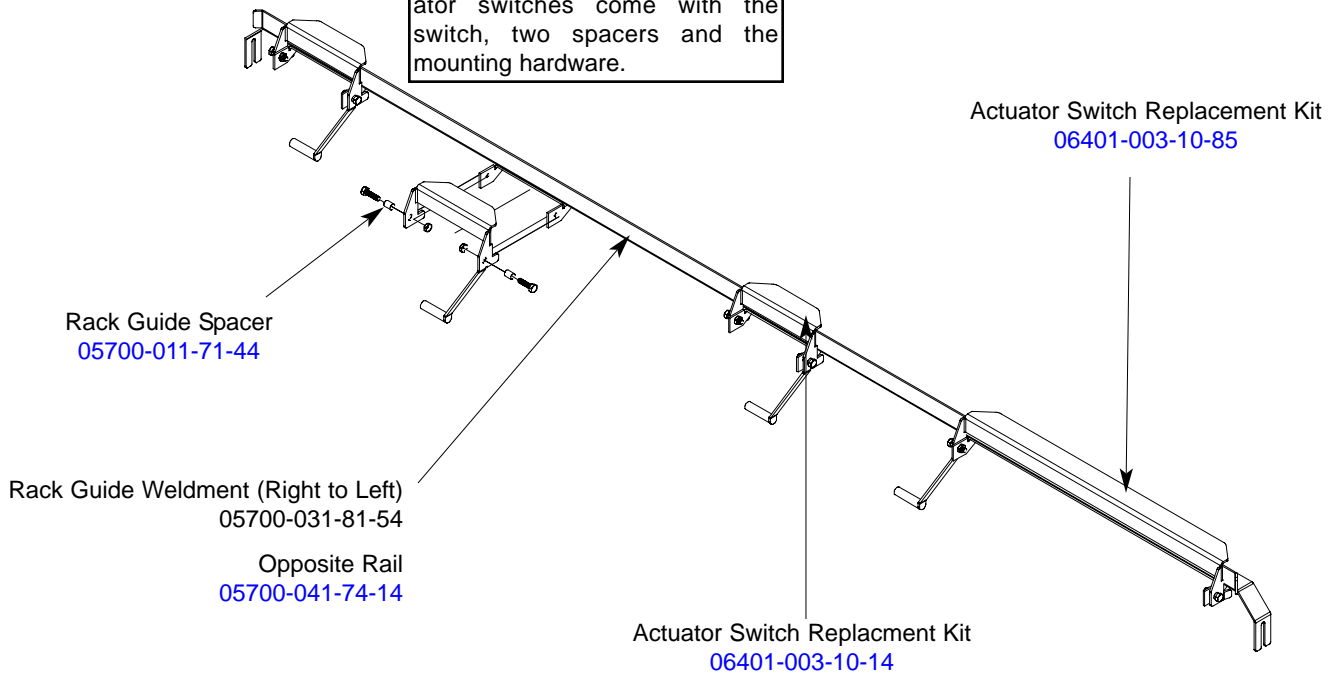
Left to Right Assembly



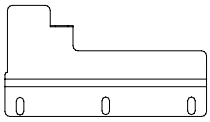
Right to Left Assembly

Replacement Kit Notes:

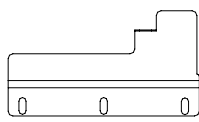
The replacement kits for the actuator switches come with the switch, two spacers and the mounting hardware.



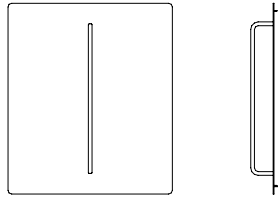
SECTION 5: PARTS SECTION
MISCELLANEOUS PARTS AND WELDMENTS



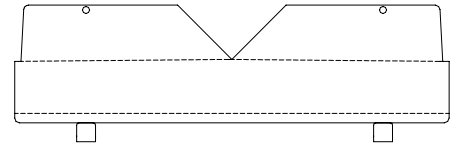
Plate, Left Water Directional
 05700-021-79-27



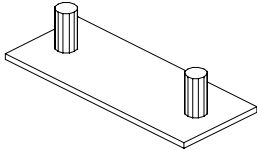
Plate, Right Water Directional
 05700-021-79-23



Run Off Sheet Weldment
 05700-021-71-39

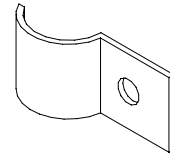


Splash Shield Weldment
 05700-031-85-16

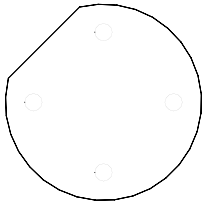


Hole Direction Plate Replacement Kit
 06401-003-10-00

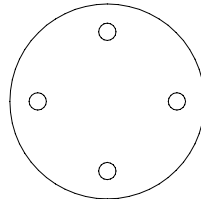
Replacement Kit Note:
 The kit for the hole direction plate comes with the plate, a new gasket and the mounting hardware.



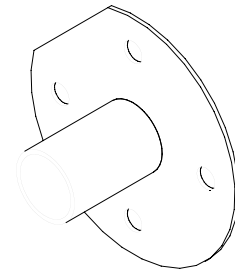
Pipe Clamp
 05700-000-35-05



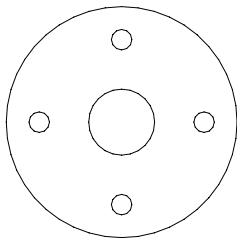
Rinse Drain Plate Replacement Kit
 (CGP Models Only)
 06401-003-10-07



Rinse Drain Plug Replacement Kit
 06401-003-10-06



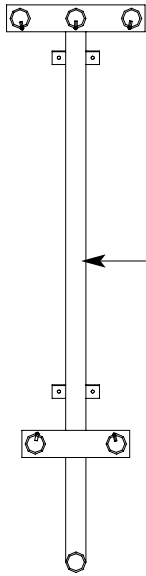
Rinse Drain Weldment Replacement Kit
 06401-003-10-05



Rinse Drain Plate Gasket
 05330-011-72-27

Replacement Kits Notes:
 The kits for the drain weldments and drain plugs come with the weldments/parts, a new gasket and the mounting hardware.

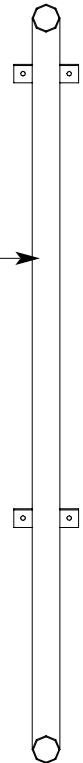
SECTION 5: PARTS SECTION
MANIFOLDS/STRAINER SUPPORT WELDMENTS



Prewash Manifold Weldment
 AJ-66 Models Only
[05700-031-69-70](#)

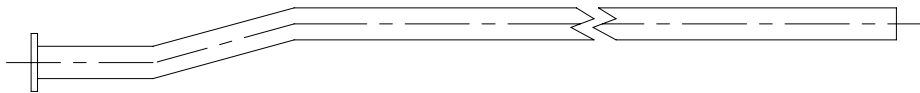
Prewash Manifold Weldment
 AJ-80 Models Only
 05700-002-24-94

Prewash Manifold Weldment
 (CGP Models Only)
 05700-002-59-51



Wash Manifold Weldment
[05700-031-71-13](#)

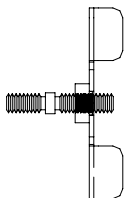
Wash Manifold Weldment
 (CGP Models Only)
 05700-002-51-14



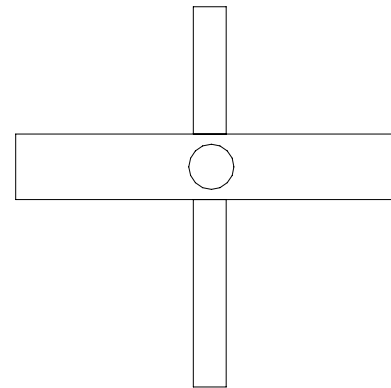
Wash Fill Tube Weldment
[05700-021-71-21](#)

Vellumoid Gasket
[05330-111-42-81](#)

Prewash Fill Tube Weldment
 (AJ-66 & AJ-80 Models Only)
[05700-021-74-76](#)

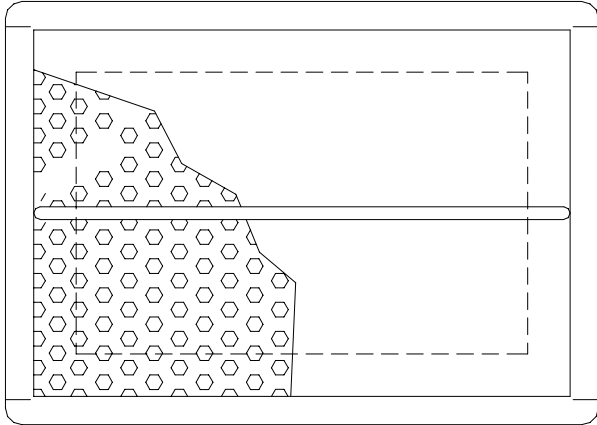


Shoulder Bolt Wingnut Weldment
[05700-002-46-02](#)

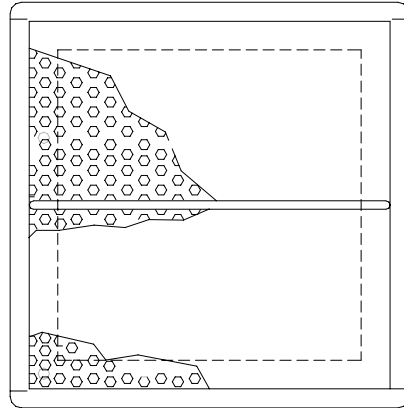


Wash Strainer Separator Weldment
 05700-031-84-38

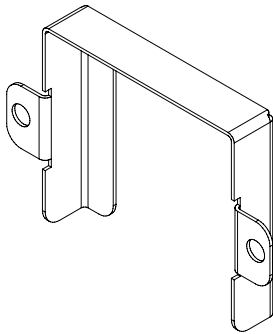
SECTION 5: PARTS SECTION
STRAINERS



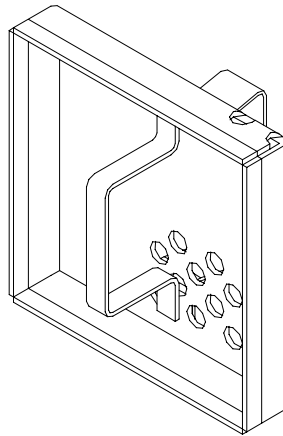
Front Strainer Weldment
05700-021-85-10



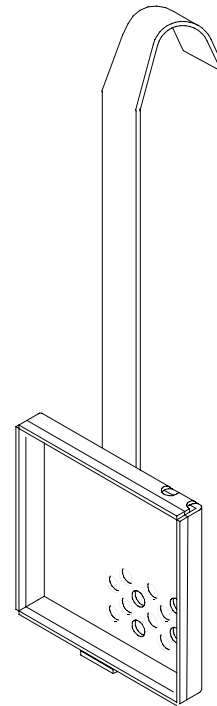
Back Strainer Weldment
05700-021-85-11



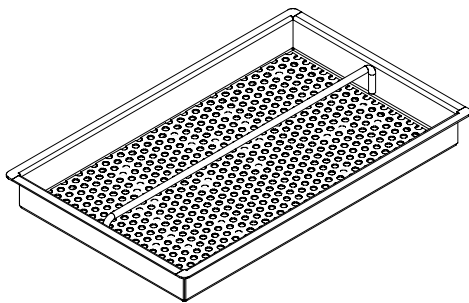
Overflow Strainer Support
05700-001-96-48



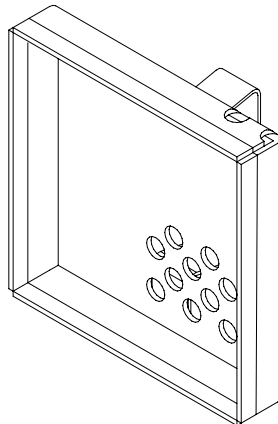
Drain Guard
Strainer Weldment
05700-002-09-15



Wash Intake Strainer Weldment (CGP Models)
05700-002-51-52

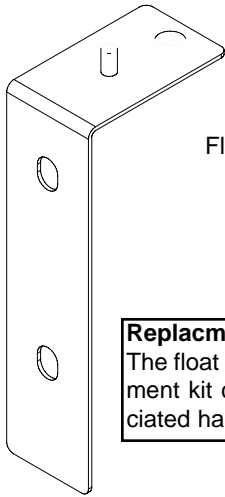


Tub Strainer Weldment (CGP Models)
05700-002-03-21



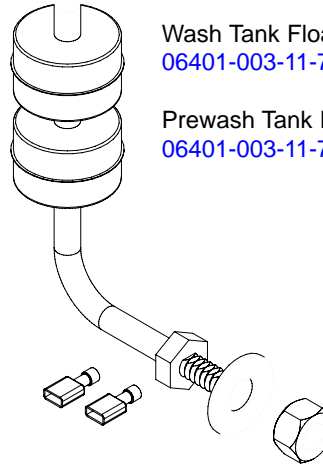
Screen Strainer
with Handle Weldment
05700-002-09-04

SECTION 5: PARTS SECTION
FLOAT SWITCH COMPONENTS/SCRAP BASKETS



Float Switch Support Bracket
 Replacement Kit
 06401-003-11-77

Replacement Kit Note:
 The float switch support bracket replacement kit contains the bracket and associated hardware for mounting.

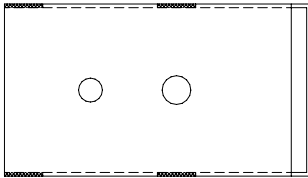


Wash Tank Float Switch Replacement Kit
 06401-003-11-75

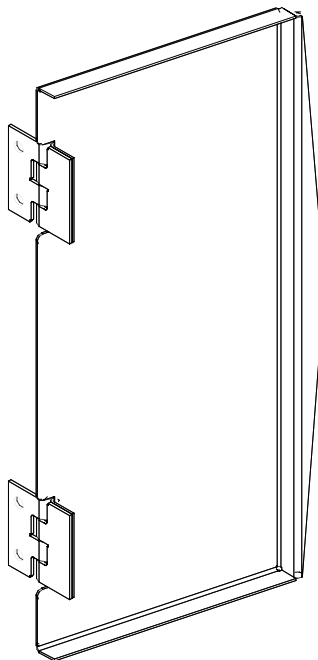
Prewash Tank Float Switch Replacement Kit
 06401-003-11-76

Replacement Kit Note:
 The float switch replacement kits contain the float switch with associated terminals, the flat washer and the nut.

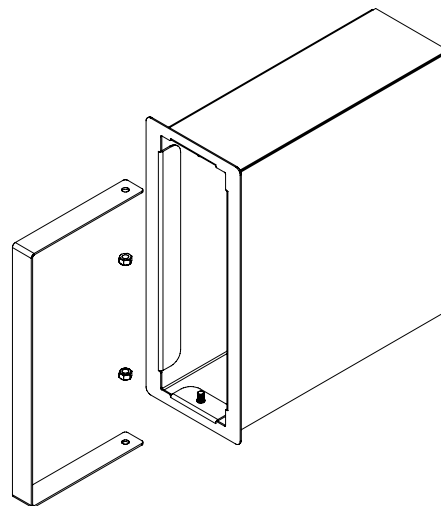
Service Agent Note:
 Remember than when reinstalling the float switch that the flat washer goes inside against the tub wall while the nut is on the outside of the tub.



Float Switch Cover
 05700-021-75-71

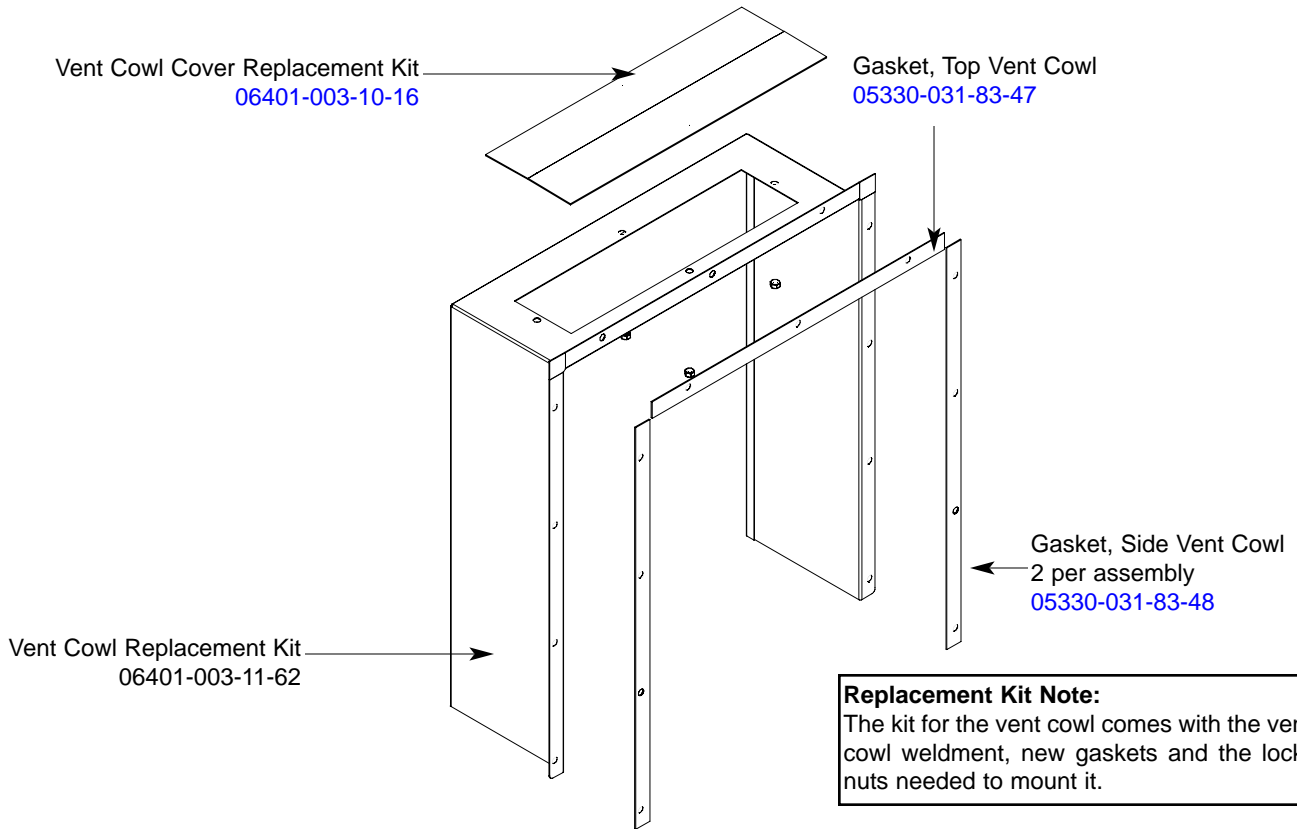


Scrap Basket Lid
 Weldment
 05700-002-56-55

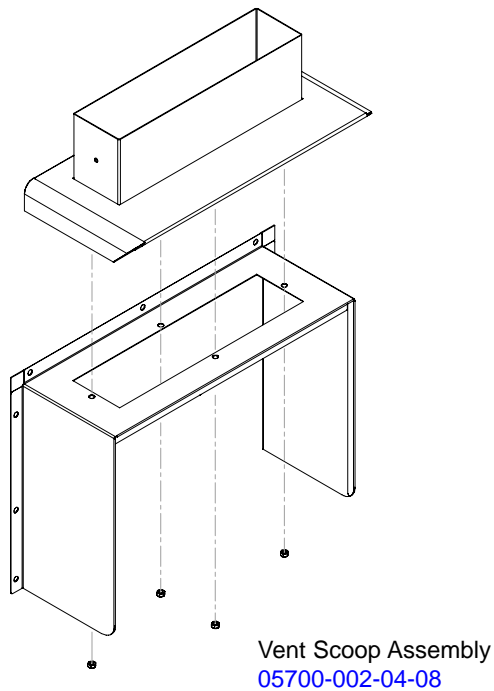


Scrap Basket Assembly
 06401-011-87-78

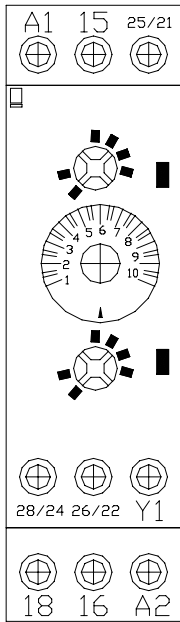
SECTION 5: PARTS SECTION
VENT COWL ASSEMBLY/VENT SCOOP OPTION



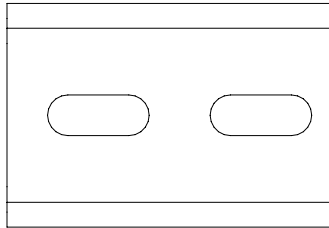
VENT SCOOP OPTION



SECTION 5: PARTS SECTION
EXHAUST FAN CONTROL/TABLE LIMIT SWITCH



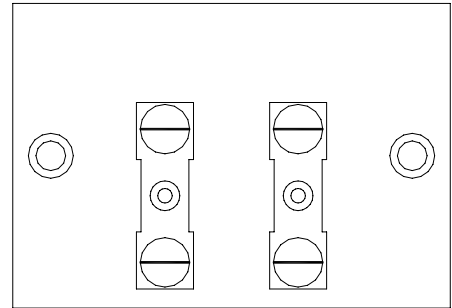
Delay Timer
[05945-011-65-44](#)



2" Din Rail
[05700-002-36-09](#)

**FAN LOAD ON TIMER OUTPUT
 5A, 1/4HP, 240 V AC MAX**

Decal, Fan Load
[09905-003-32-20](#)

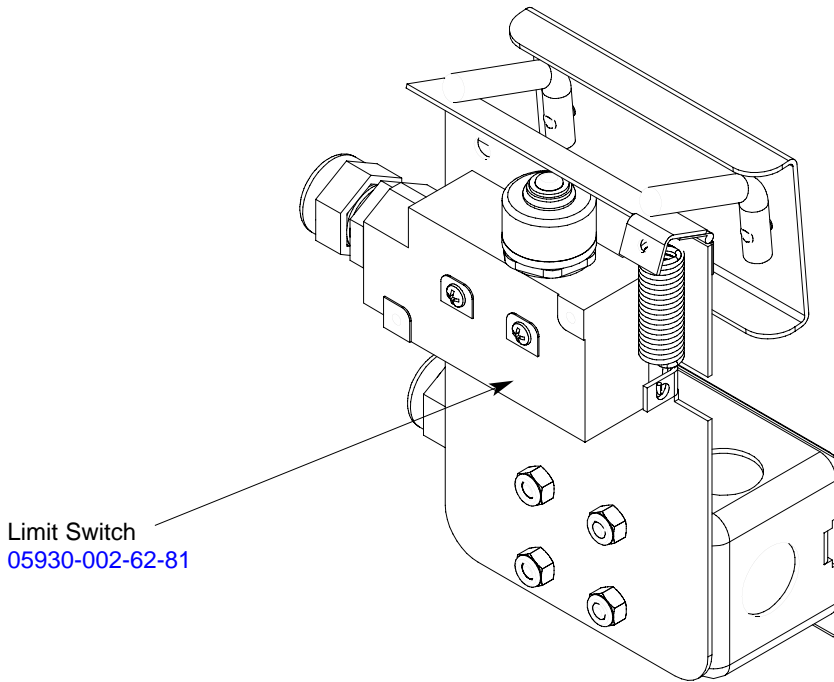


Terminal Board
[05940-011-84-41](#)

Kit, Exhaust Fan - Electric & Steam Models
[05700-031-90-53](#)

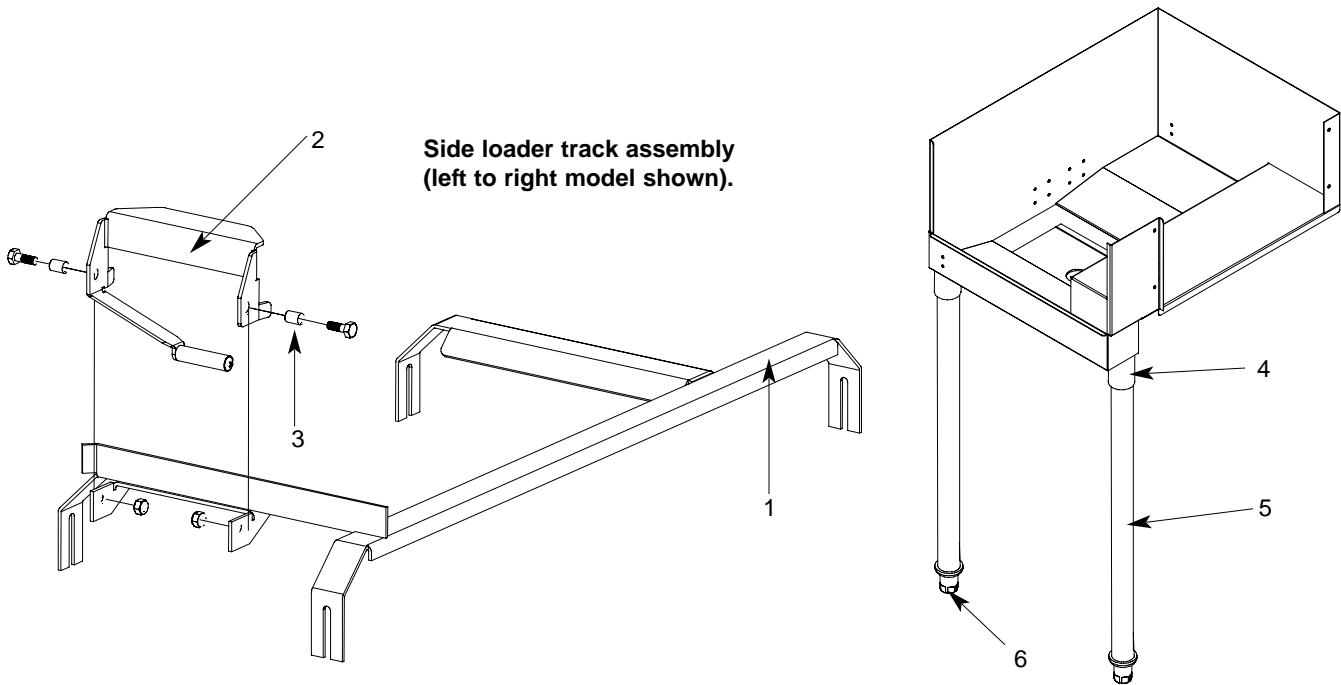
Kit, Exhaust Fan - Gas Models
[05700-003-14-59](#)

Striker Plate Limit Switch Assembly
[05700-002-62-94](#)



Limit Switch
[05930-002-62-81](#)

SECTION 5: PARTS SECTION
SIDE LOADER TRACK ASSEMBLY/LEG REPLACEMENTS/STRAINER



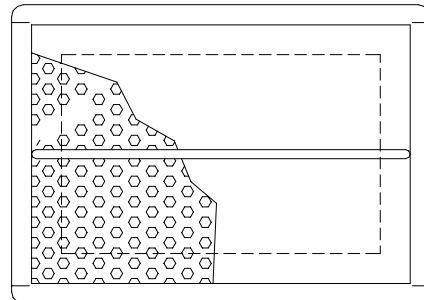
ITEM	QTY	DESCRIPTION	Mfg. No.
1	1	Track Weldment (Left to Right) 24"	05700-031-78-98
	1	Track Weldment (Right to Left) 24"	05700-031-95-20
	1	Track Weldment (Left to Right) 30"	05700-003-04-57
	1	Track Weldment (Right to Left) 30"	05700-003-04-58
2	1	Actuator Switch Replacement Kit	06401-003-10-64
3	2	Spacer	05700-011-71-44
4	1	Leg Socket Replacement Kit	06401-003-09-79
5	1	Leg Support Replacement Kit	06401-003-09-80
6	1	Bullet Foot	05340-108-01-03

Replacement Kits Notes:

The actuator switch replacement kit comes with the actuator weldment, mounting hardware and (2) spacers.

The leg socket replacement kit has the leg socket, mounting hardware and set screw.

The leg support replacement kit has the leg and the bullet foot included.

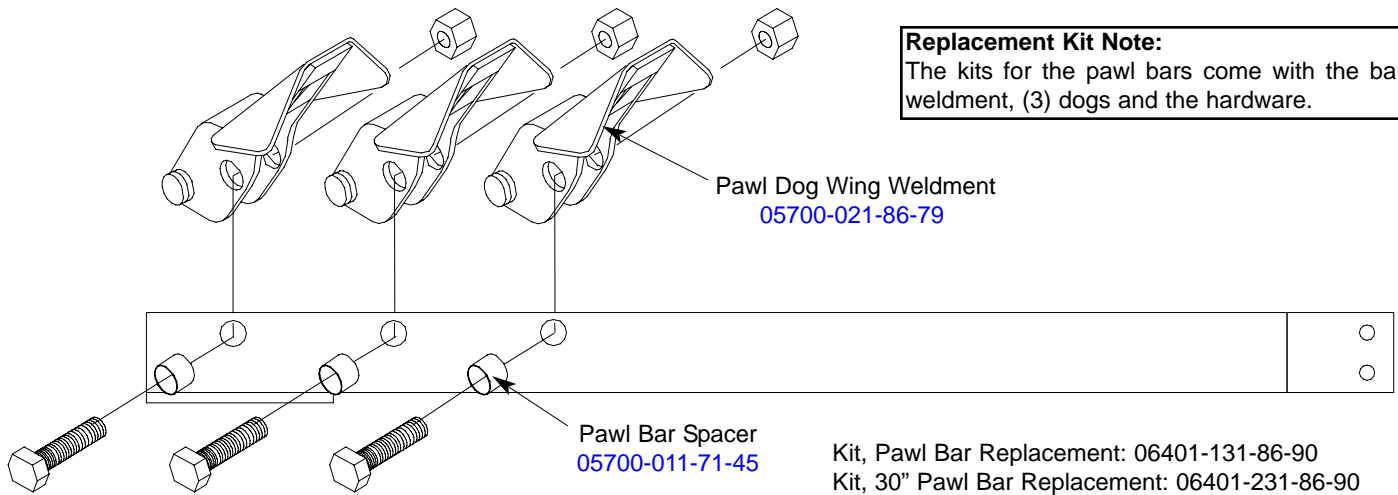


Front Strainer Weldment
05700-021-85-10

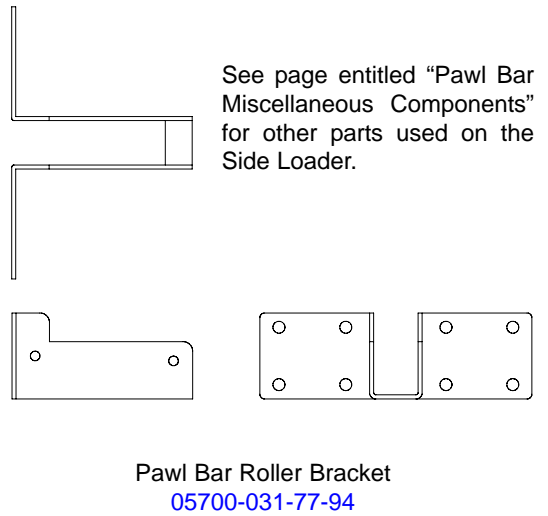
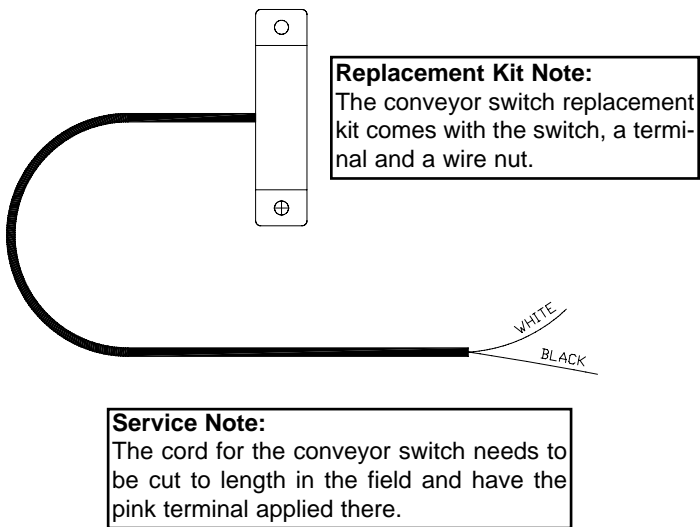
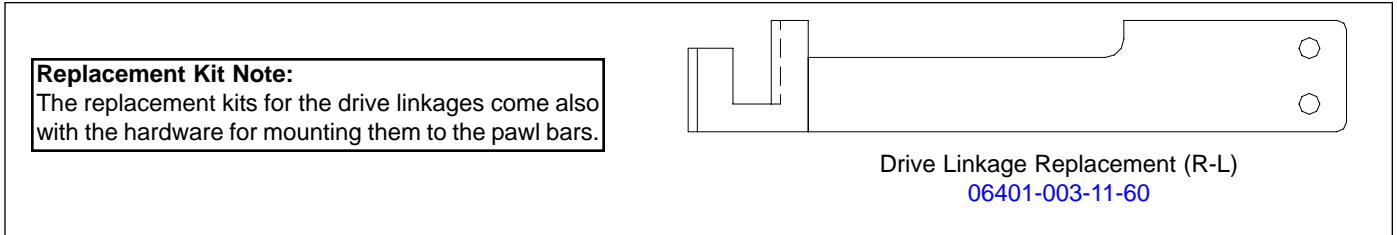
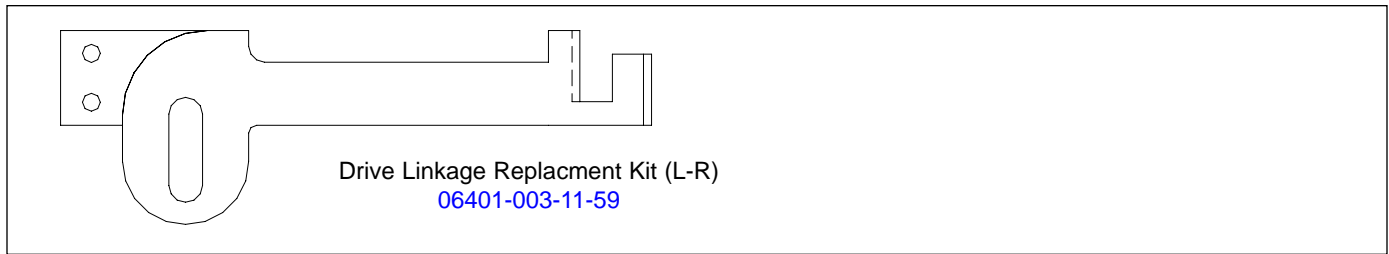
SECTION 5: PARTS SECTION

SIDE LOADER PAWL BAR ASSEMBLIES/PAWL BAR BRACKET/MAGNET

Replacement Kit Note:
The kits for the pawl bars come with the bar weldment, (3) dogs and the hardware.



Kit, Pawl Bar Replacement: 06401-131-86-90
Kit, 30" Pawl Bar Replacement: 06401-231-86-90

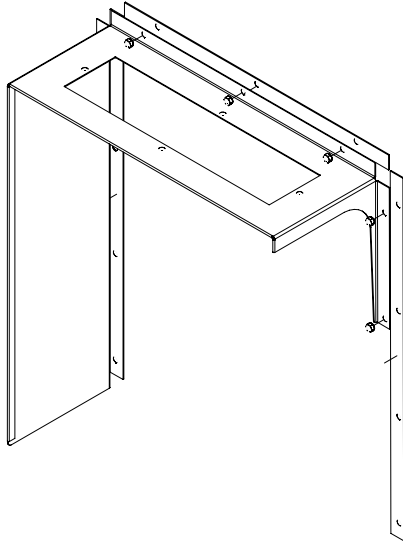


See page entitled "Pawl Bar Miscellaneous Components" for other parts used on the Side Loader.

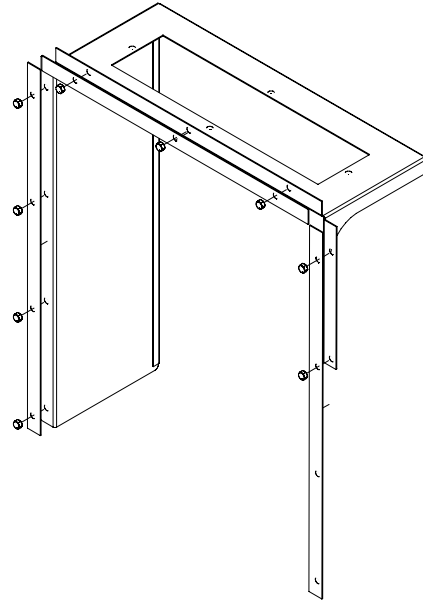
SECTION 5: PARTS SECTION
SIDE LOADER VENT COWL OPTION

Service Note:
 One of the side gaskets that come in the kit will need to be cut to length in order to fit properly on the unit when replaced.

Vent Cowl Replacement Kit (Left to Right)
 06401-003-11-81



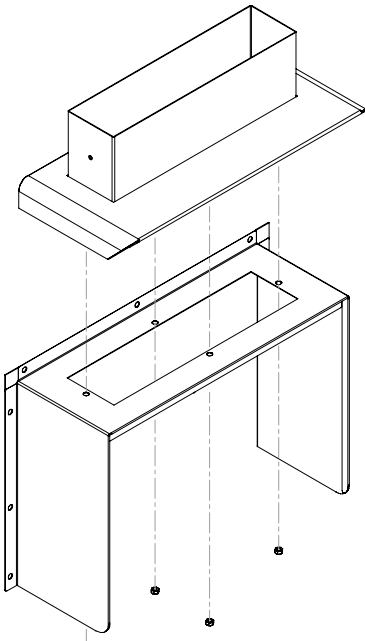
Vent Cowl Replacement Kit (Right to Left)
 06401-003-11-83



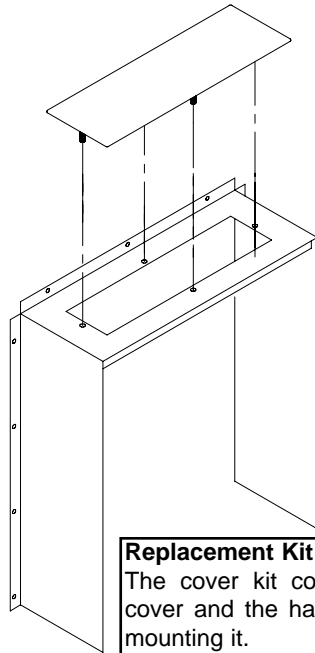
Replacement Kit Note:
 The replacement kit(s) for the vent cowls come with the cowls, the gaskets and mounting hardware.

Vent Cowl Gasket, Top: [05330-031-83-47](#)
 Vent Cowl Gasket, Sides: [05330-031-83-48](#)

VENT SCOOP OPTION
 Vent Scoop Assembly
[05700-002-04-08](#)

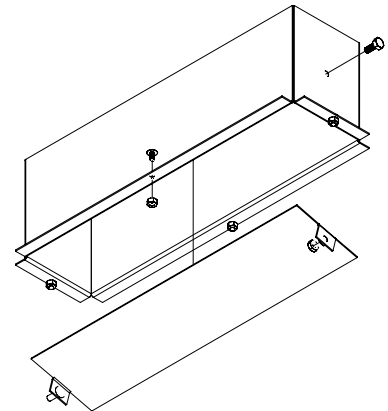


STANDARD ASSEMBLY
 Vent Cowl Cover Replacement Kit
[06401-003-10-16](#)



Replacement Kit Note:
 The cover kit contains the cover and the hardware for mounting it.

Vent Cowl Assembly for Hooded Side Loader Option
[05700-003-15-66](#)



SECTION 5: PARTS SECTION
D226 STEAM BOOSTER CONTROL BOX ASSEMBLY

Decal, Schematic, D226 Booster (on the inside of the control box cover) 09905-002-78-56

Decal, Warning, Disconnect Power 09905-100-75-93

Replacement Kit Note:
 The kit for the terminal block replacement includes the block, the spacer and the locknut.

Control Box Cover Replacement Kit 06401-003-11-63

Replacement Kit Note:
 The kit for the control box cover comes with the decals and the screws for securing the cover.

Terminal Block Replacement Kit 06401-003-11-78

Decal, L1-L2 09905-002-78-67

Ground Lug 05940-200-76-00

Spacer, Terminal Block

Decal, Ground 09905-011-86-86

Thermostat 06680-500-01-77

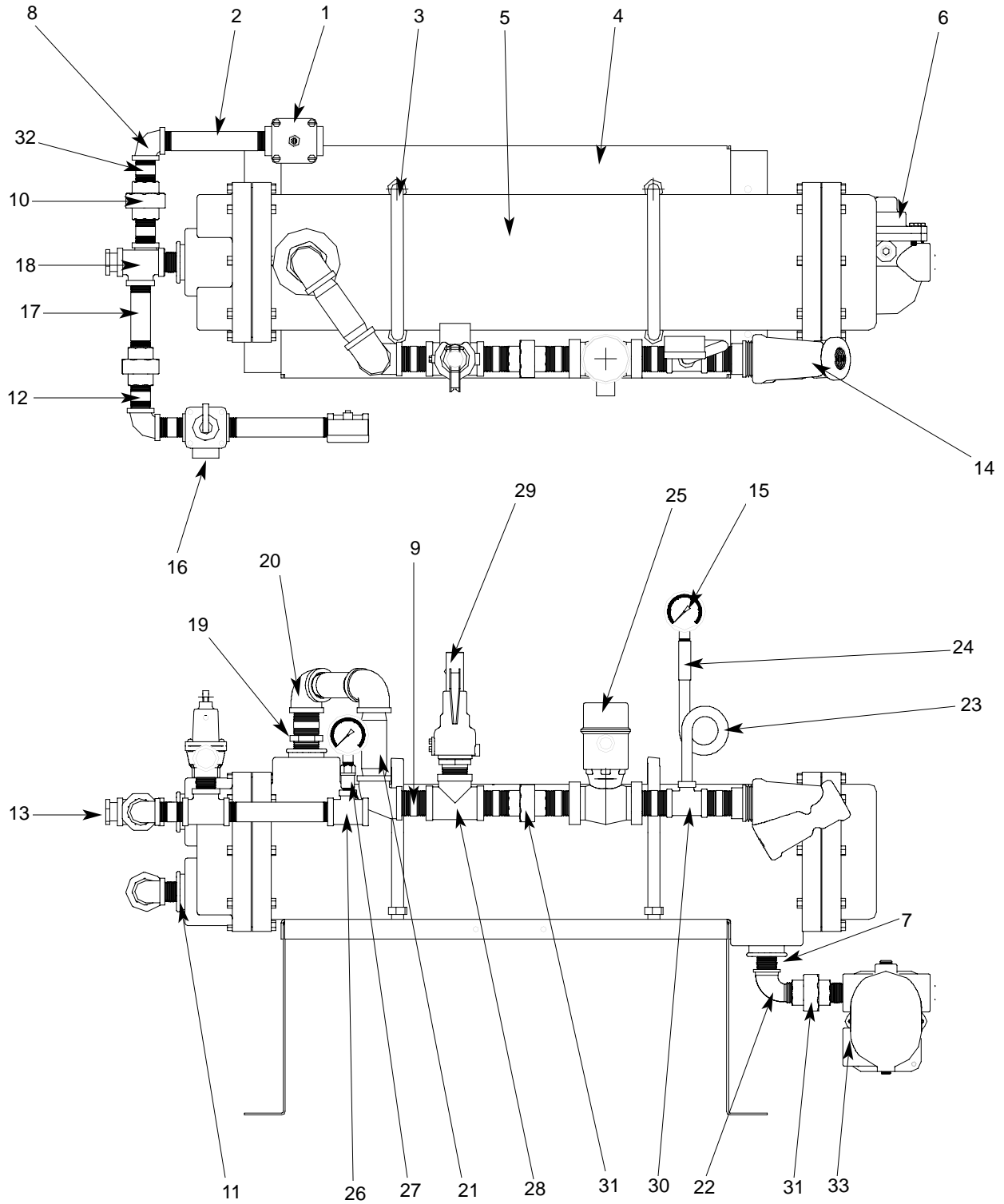
Light, Red 05945-111-21-57

Conduit Fitting, .231" x.394" 05975-011-49-03

Power Switch 05930-011-49-55

Control Box with Decal 06401-002-78-87

SECTION 5: PARTS SECTION
D226 STEAM BOOSTER PLUMBING ASSEMBLY



SECTION 5: PARTS SECTION

D226 STEAM BOOSTER PLUMBING ASSEMBLY (CONTINUED)

ITEM	QTY	DESCRIPTION	Mfg. No.
1	1	Water Pressure Regulator, 3/4"	04820-100-01-06
2	2	Nipple, Brass, 3/4" NPT x 6" Long	05700-001-26-74
3	2	U-Bolt, 6", 5/8"-11 Thread	05306-458-01-04
4	1	Platform Weldment	05700-002-78-02
5	1	Heat Exchanger	04420-100-01-05
6	1	Steam Trap, 3/4"	06680-500-02-77
7	1	Bushing, 2" NPT x 3/4" NPT, Black Iron	04730-902-06-34
8	2	Elbow, 3/4" NPT, Brass	04730-206-13-00
9	6	Nipple, 1" NPT, Close, Black Iron	04730-907-08-34
10	2	Union, 3/4" NPT, Brass	04730-212-05-00
11	2	Bushing, 2" NPT x 3/4" NPT, Brass	04730-202-18-00
12	4	Nipple, 3/4" NPT x 1-3/8" Long	04730-207-34-00
13	1	Bushing, Hex 3/4" M x 1/2" F, Brass	04730-002-56-27
14	1	Y-Strainer, 1" NPT, Black Iron	04730-217-02-32
15	2	Pressure Gauge	06685-111-88-34
16	1	Steam Relief Valve	04820-100-07-06
17	2	Nipple, 3/4" NPT x 4" Long, Brass	04730-207-05-00
18	2	Tee, 3/4" NPT x 3/4" NPT x 3/4" NPT, Brass	04730-211-01-34
19	1	Bushing, 2" NPT x 1" NPT, Black Iron	04730-002-94-51
20	3	Elbow, 90°, 1" NPT, Black Iron	04730-906-03-34
21	2	Nipple, 1" NPT x 4" Long, Black Iron	04730-907-09-34
22	1	Elbow, 90°, Street, 3/4" NPT, Black Iron	04730-011-87-37
23	1	Nipple, Pigtail, 1/4" NPT	04730-907-14-34
24	1	Coupling, 1/4" NPT x 1/4" NPT	04730-904-01-34
25	1	Steam Solenoid Valve, 240VA	04820-100-29-34
25	1	Steam Solenoid Valve, 200VA	04820-002-93-66
25	1	Steam Solenoid Valve (ASCO)	04820-002-90-26
26	1	Tee, 3/4" NPT x 3/4" NPT x 1/4" NPT, Brass	04730-211-04-00
27	1	Valve, Test Cock, 1/4" NPT	04810-011-72-67
28	1	Tee, 1" NPT x 1" NPT x 1" NPT, Black Iron	04730-911-01-34
29	1	Valve, Safety Relief 1" NPT	04820-100-01-35
30	1	Tee, 1" NPT x 1" NPT x 1/4" NPT, Black Iron	04730-911-01-00
31	2	Union, 3/4" NPT, Black Iron	04730-912-01-00
32	2	Nipple, 3/4" NPT x 2" Long, Brass	04730-207-46-00
33	2	Nipple, 3/4" NPT, Close, Black Iron	04730-907-01-00

SECTION 5: PARTS SECTION

GO*BOX COMPONENTS

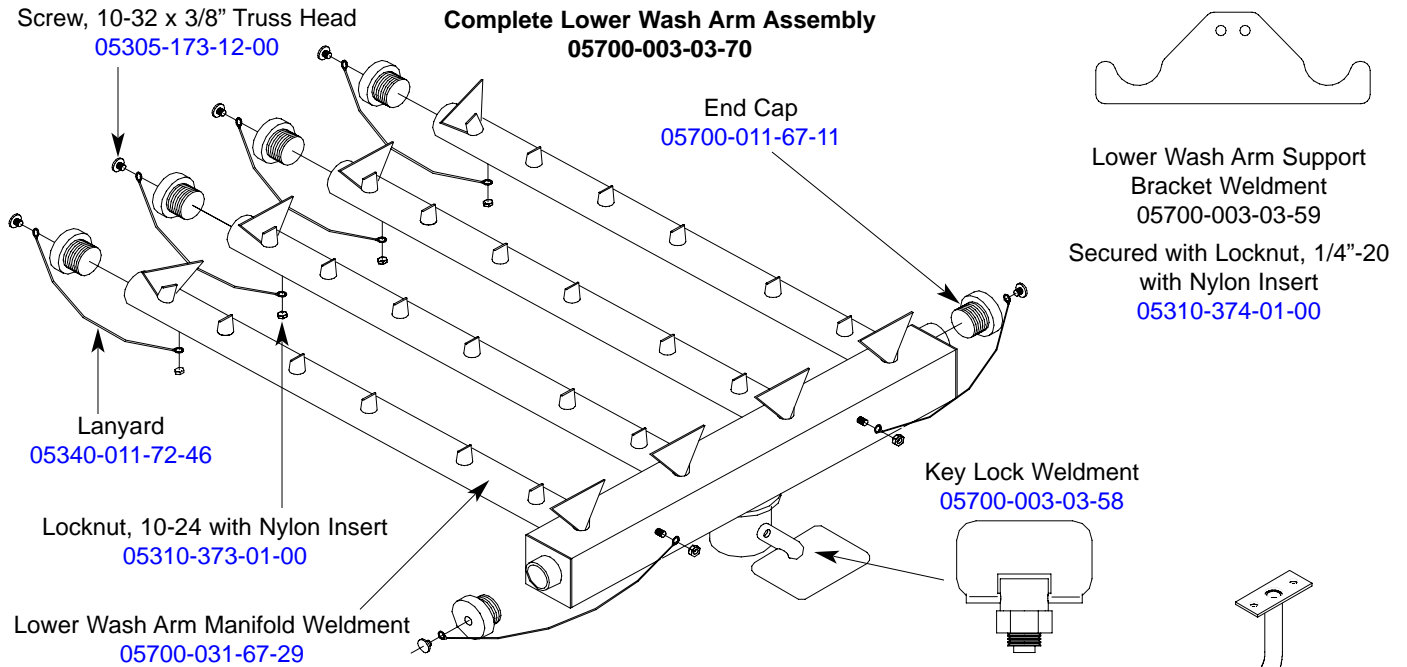
A GO*BOX is a kit of the most needed parts for a particular model or model family to successfully effect a repair in the first call 90% or more of the time.

The following components may be ordered together using part number [06401-002-14-99](#).

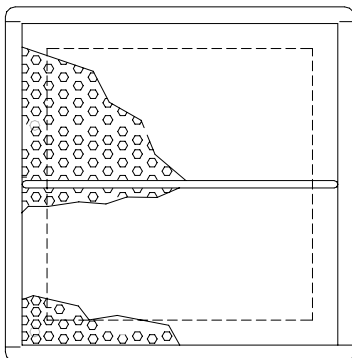
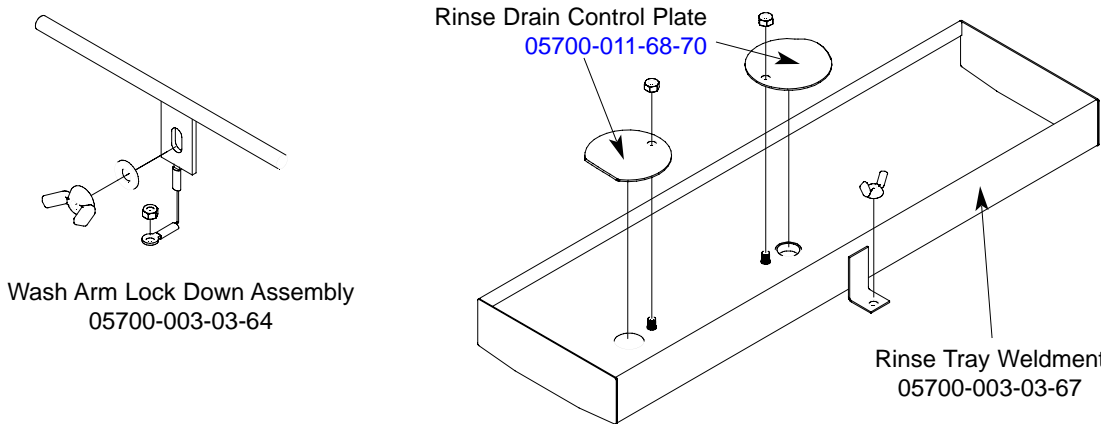
QTY	DESCRIPTION	Mfg. No.
1	Drive Motor Contactor	05945-111-68-38
1	Contactora, Wash Heater, 3 ph, 3 pole	05945-002-24-70
1	Contactora, Wash Heater, 1 ph, 4 pole	05945-111-68-37
2	Final Rinse Arm End Cap	05700-011-35-92
1	Float Switch, Dual, Wash & Prewash	06680-121-70-71
1	Gasket, Pawl Bar Gutter	05330-011-68-55
1	Gauge, Pressure	06685-111-88-34
6	Glide, Door Edge	05700-111-70-92
2	Magnet, Door Reed Switch	05930-111-51-68
2	O Ring, Prewash Manifold	05330-400-12-08
2	O Ring, Wash Manifold	05330-011-74-56
1	Overload, Drive Motor	05945-111-68-39
1	Overload, Wash Motor	05945-111-68-40
1	Relay,120v, 3 PDT	05945-111-72-51
1	Relay,120v,50/60Hz 3A Control	05945-111-35-19
1	Repair Kit, 3/4" Vacuum Breaker	04820-001-60-57
4	Roller, Pawl Bar	05700-011-68-16
1	Seal Kit for Wash and Prewash pump	05330-011-71-98
2	Solenoid Valve, Fill & Rinse	04810-100-53-00
2	Switch, Power	05930-011-49-55
2	Switch, Reed, Actuator (NC)	05930-111-68-44
1	Switch, Reed, Door (NO)	05930-111-68-86
1	Thermometer, 48" Capillary	06685-111-68-48
1	Thermometer, 96" Capillary	06685-111-68-49
2	Thermostat, Wash High Limit	05930-121-71-36
2	Thermostat, Wash Regulating	05930-121-67-72
1	Transformer,150VA	05950-011-68-35
1	Valve, Ball 1 1/2" NPT	04820-111-71-46

SECTION 5: PARTS SECTION

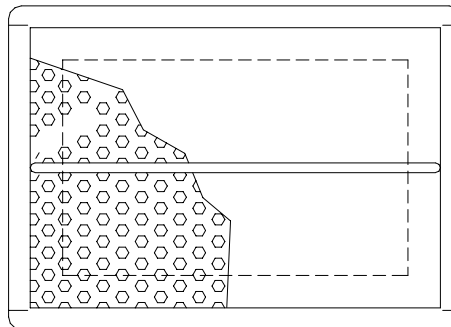
BC FERRIES OPTIONS



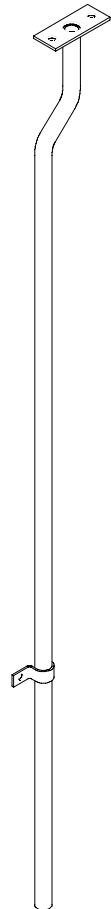
SERVICE NOTE: When replacing the 10-32 screws in the End Caps, it is recommended that a thread locking fluid be used to ensure that the screws do not back out during normal operation.



Back Strainer Weldment
05700-003-03-55



Front Strainer Weldment
05700-003-03-56



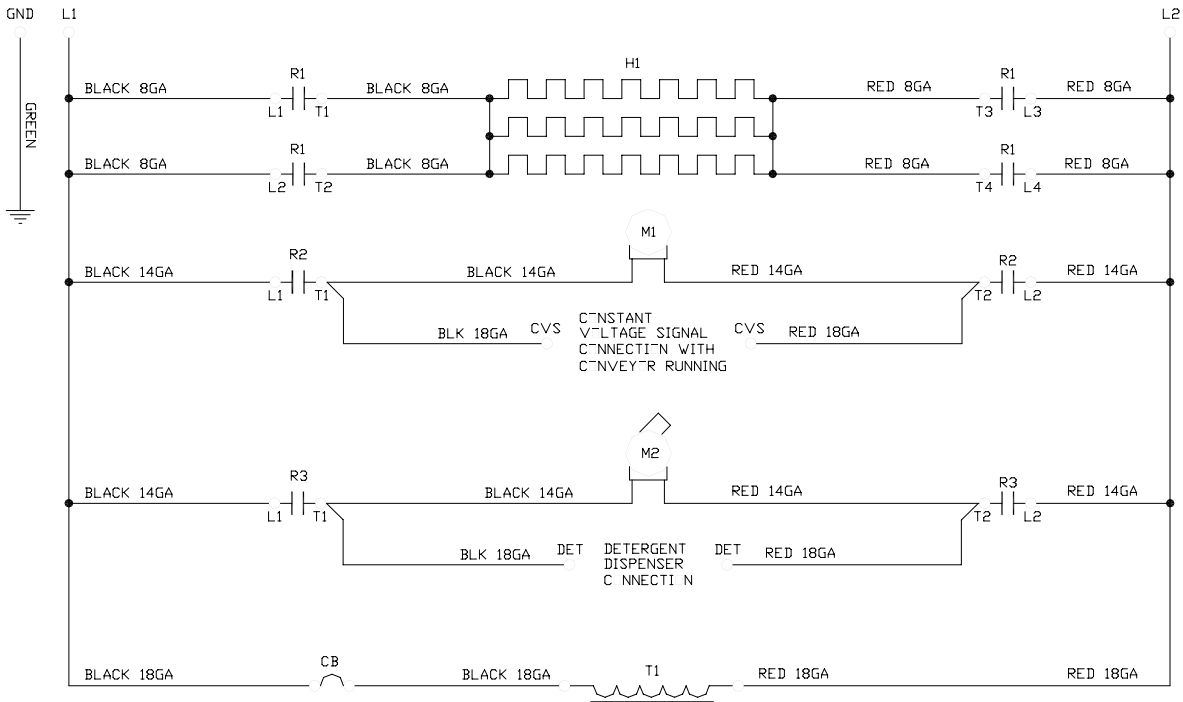
Wash Fill Tube Weldment
05700-003-03-69

Gasket
05330-111-42-81

SECTION 6: ELECTRICAL SCHEMATICS

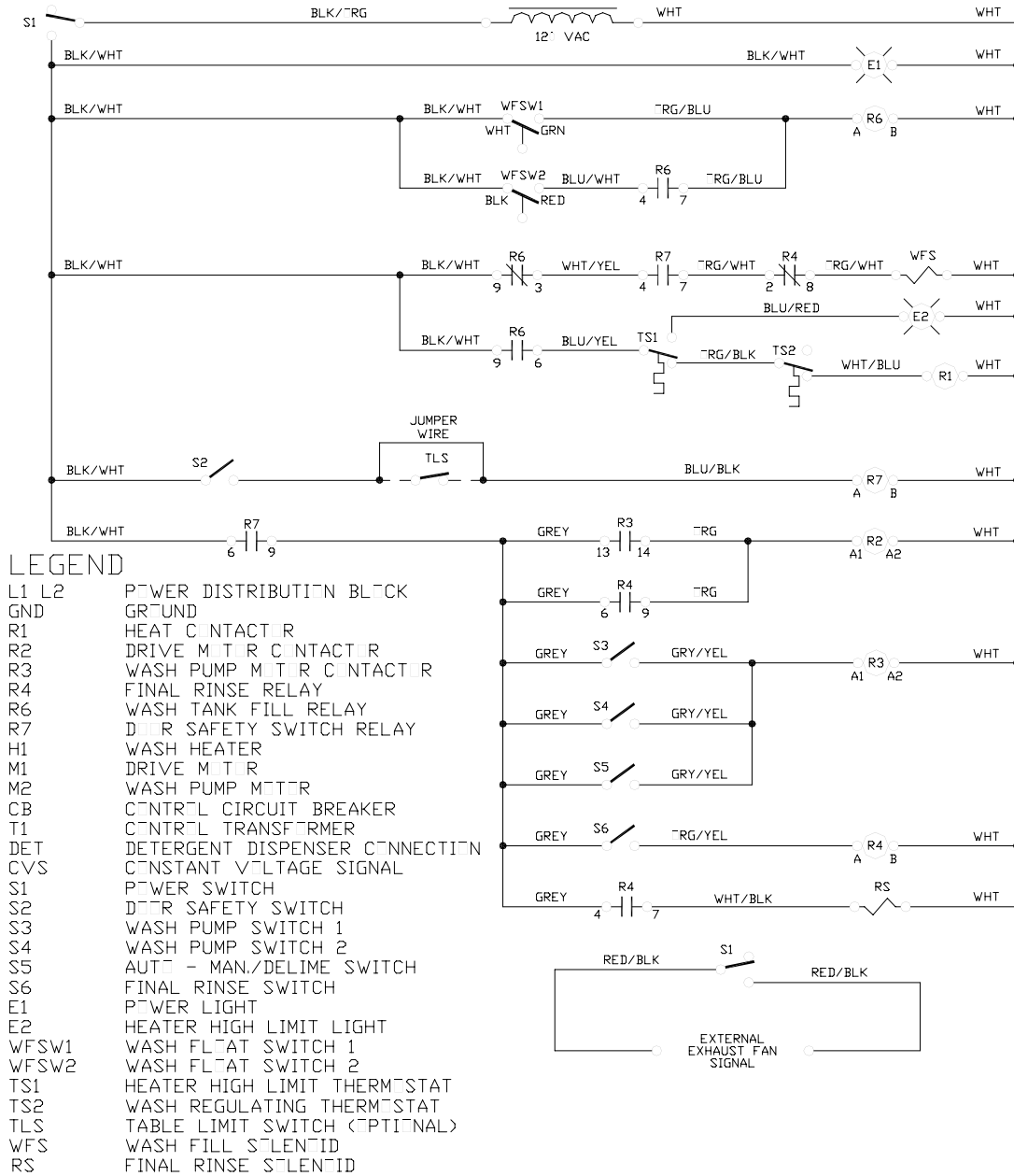
SECTION 6: ELECTRICAL SCHEMATICS

AJ-44CE/CEL (200-208-220-230 VOLTS/50-60HZ/1 PHASE) PRIMARY SIDE



SECTION 6: ELECTRICAL SCHEMATICS

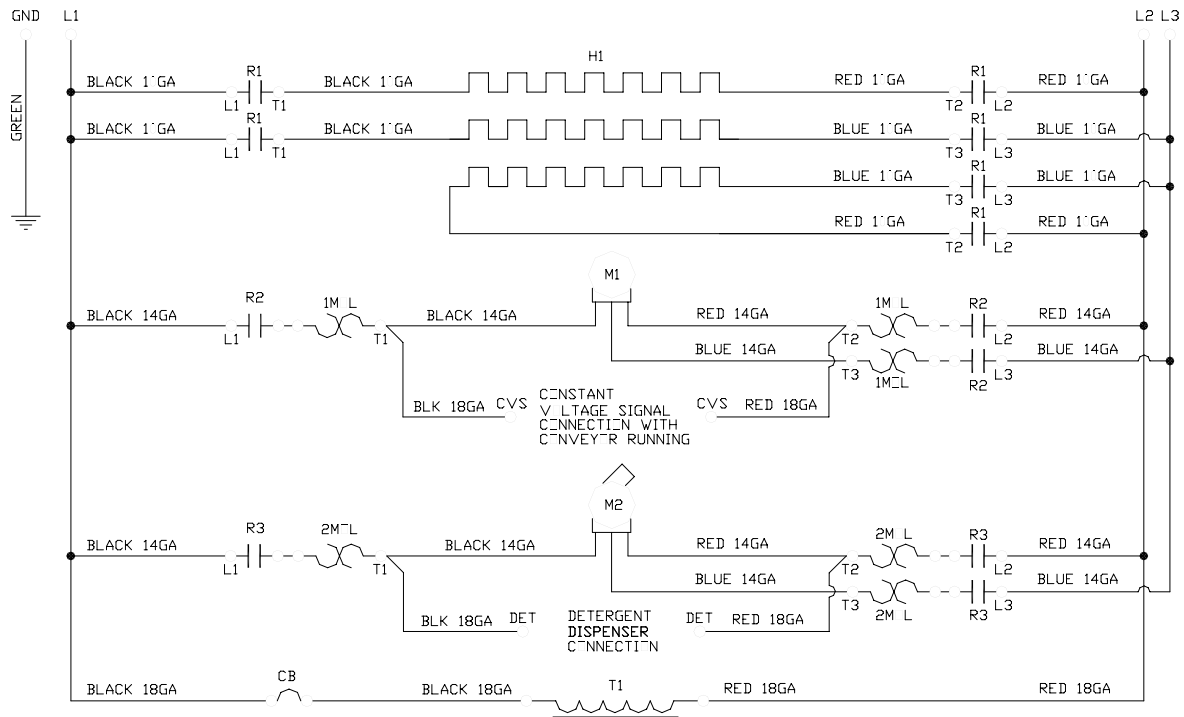
AJ-44CE/CEL (200-208-220-230 VOLTS/50-60HZ/1 PHASE) SECONDARY SIDE



99°5-131-72-94.1

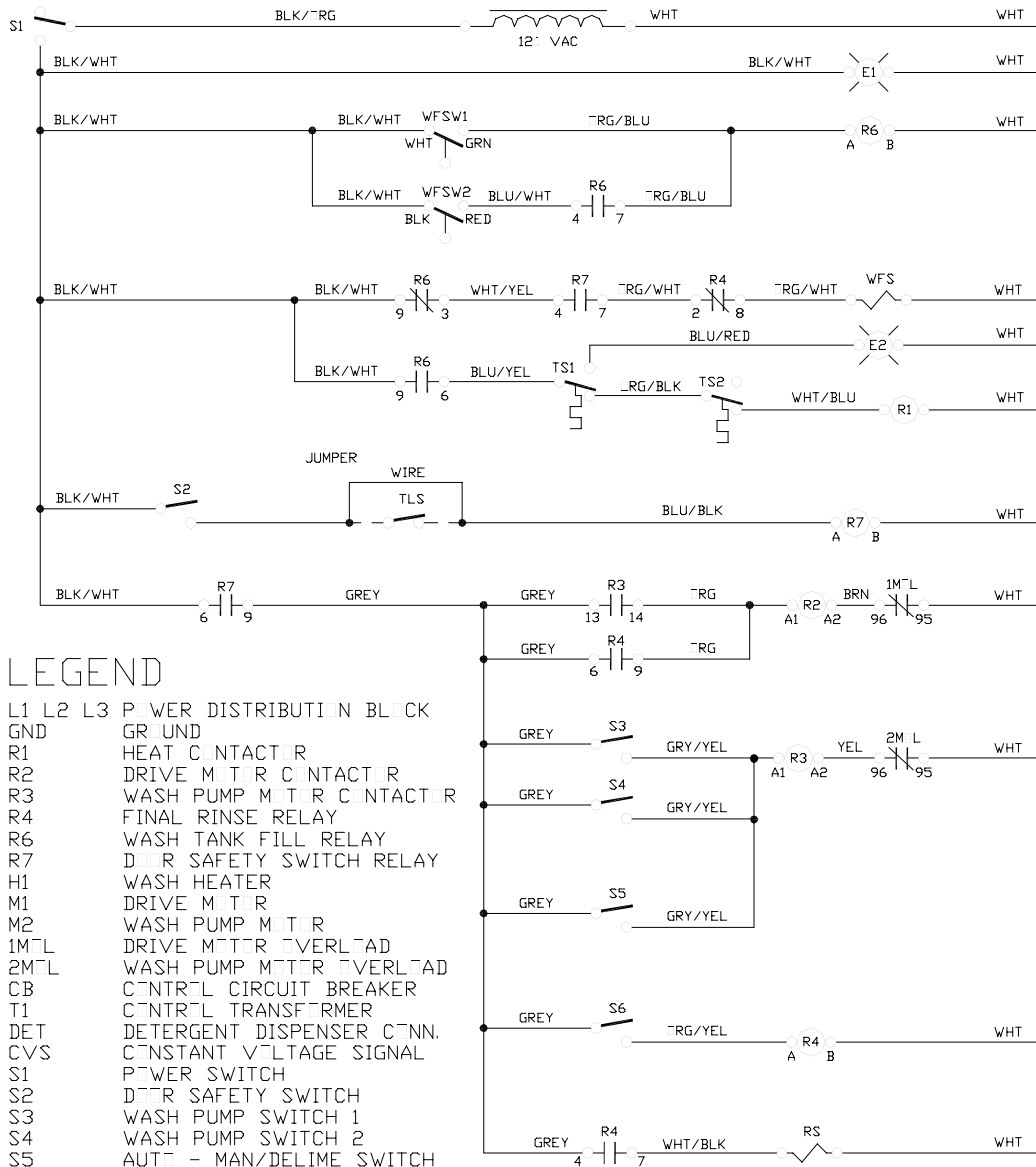
SECTION 6: ELECTRICAL SCHEMATICS

AJ-44CE/CEL (200-208-220-230 VOLTS/50-60HZ/3 PHASE) PRIMARY SIDE



SECTION 6: ELECTRICAL SCHEMATICS

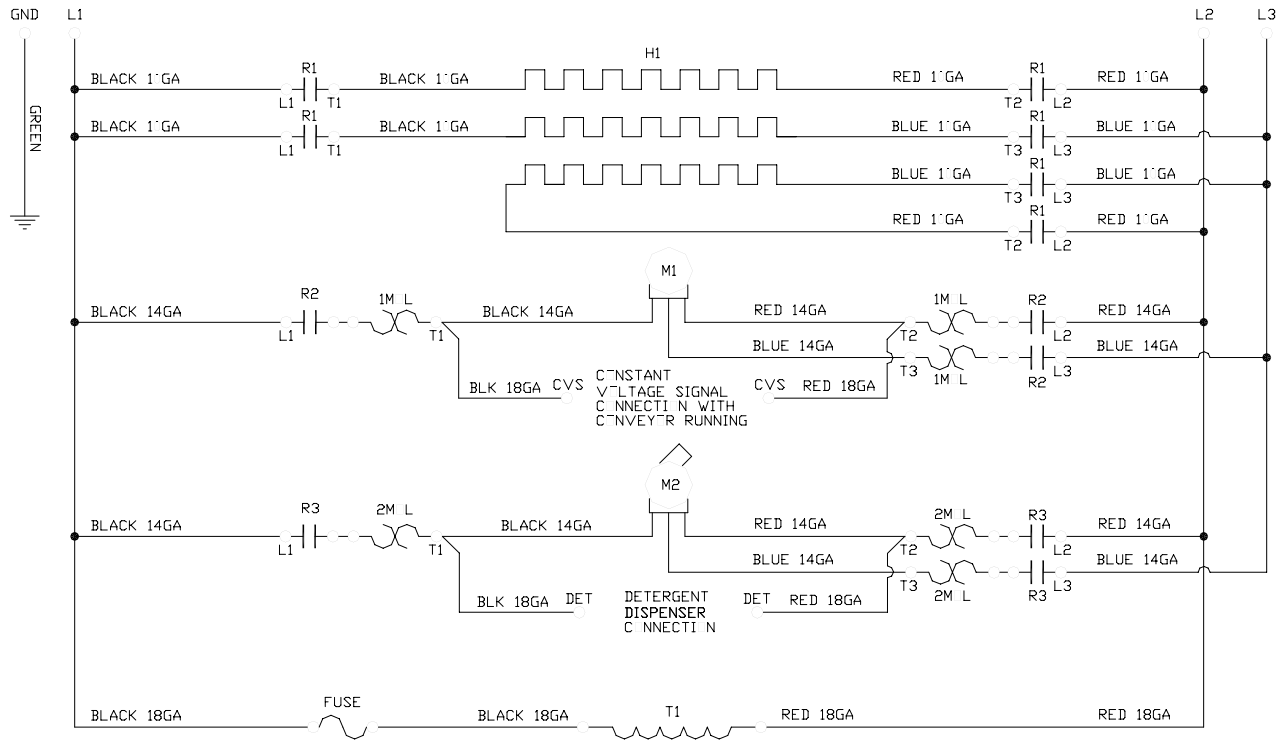
AJ-44CE/CEL (200-208-220-230 VOLTS/50-60HZ/3 PHASE) SECONDARY SIDE



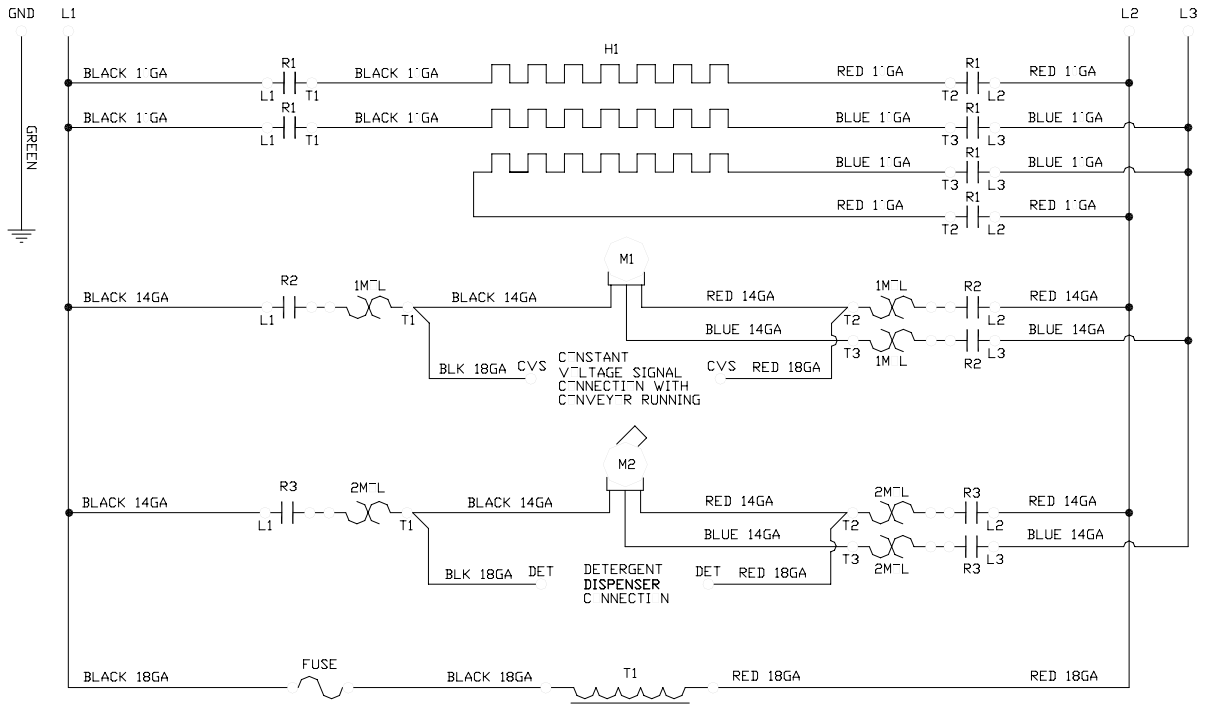
99*5-031-70-79

SECTION 6: ELECTRICAL SCHEMATICS

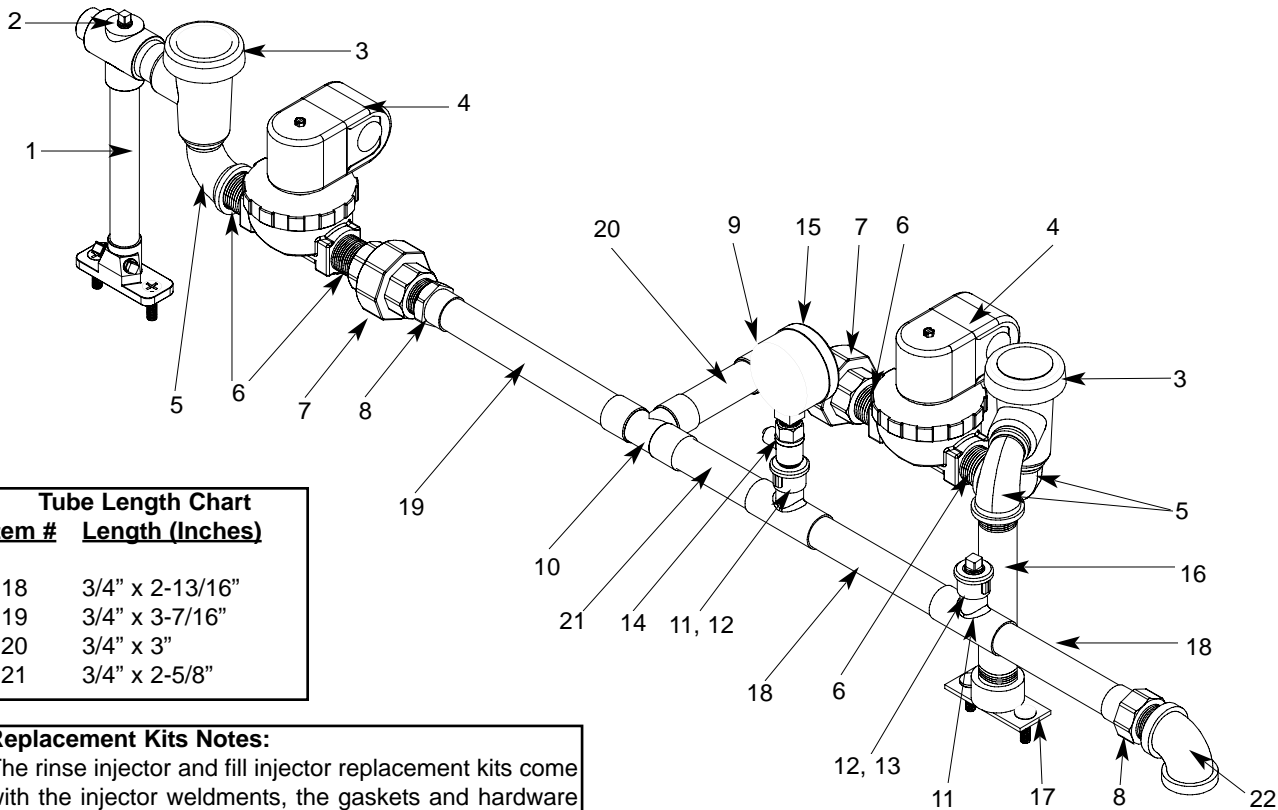
AJ-44CE/CEL (380-460-600 VOLTS/60 HZ/3 PHASE) PRIMARY SIDE



SECTION 6: ELECTRICAL SCHEMATICS
AJ-44CE/CEL (380-415 VOLTS/50 HZ/3 PHASE) PRIMARY SIDE



SECTION 5: PARTS SECTION
WASH/FILL PLUMBING ASSEMBLY (CGP MODELS)

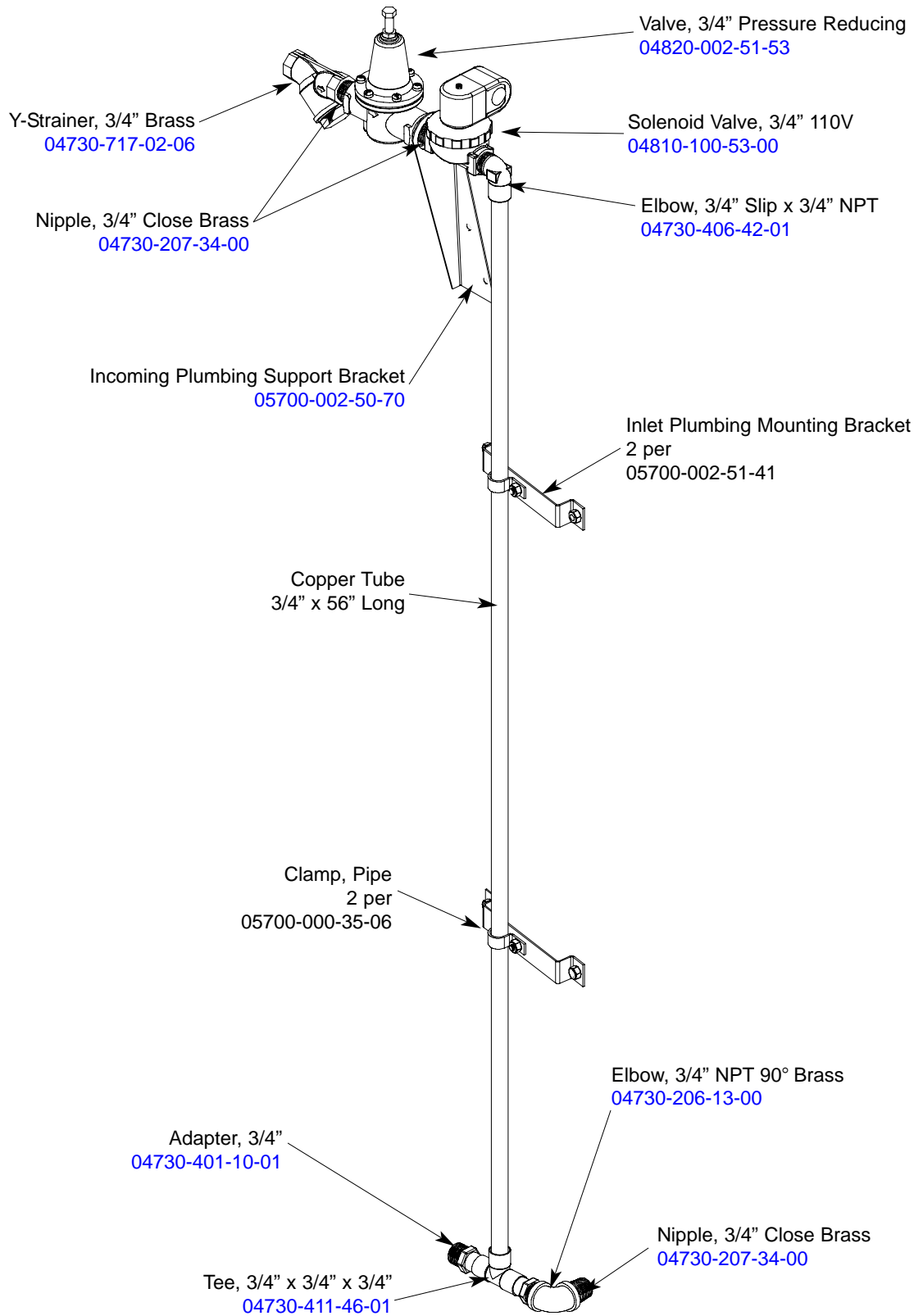


Tube Length Chart	
Item #	Length (Inches)
18	3/4" x 2-13/16"
19	3/4" x 3-7/16"
20	3/4" x 3"
21	3/4" x 2-5/8"

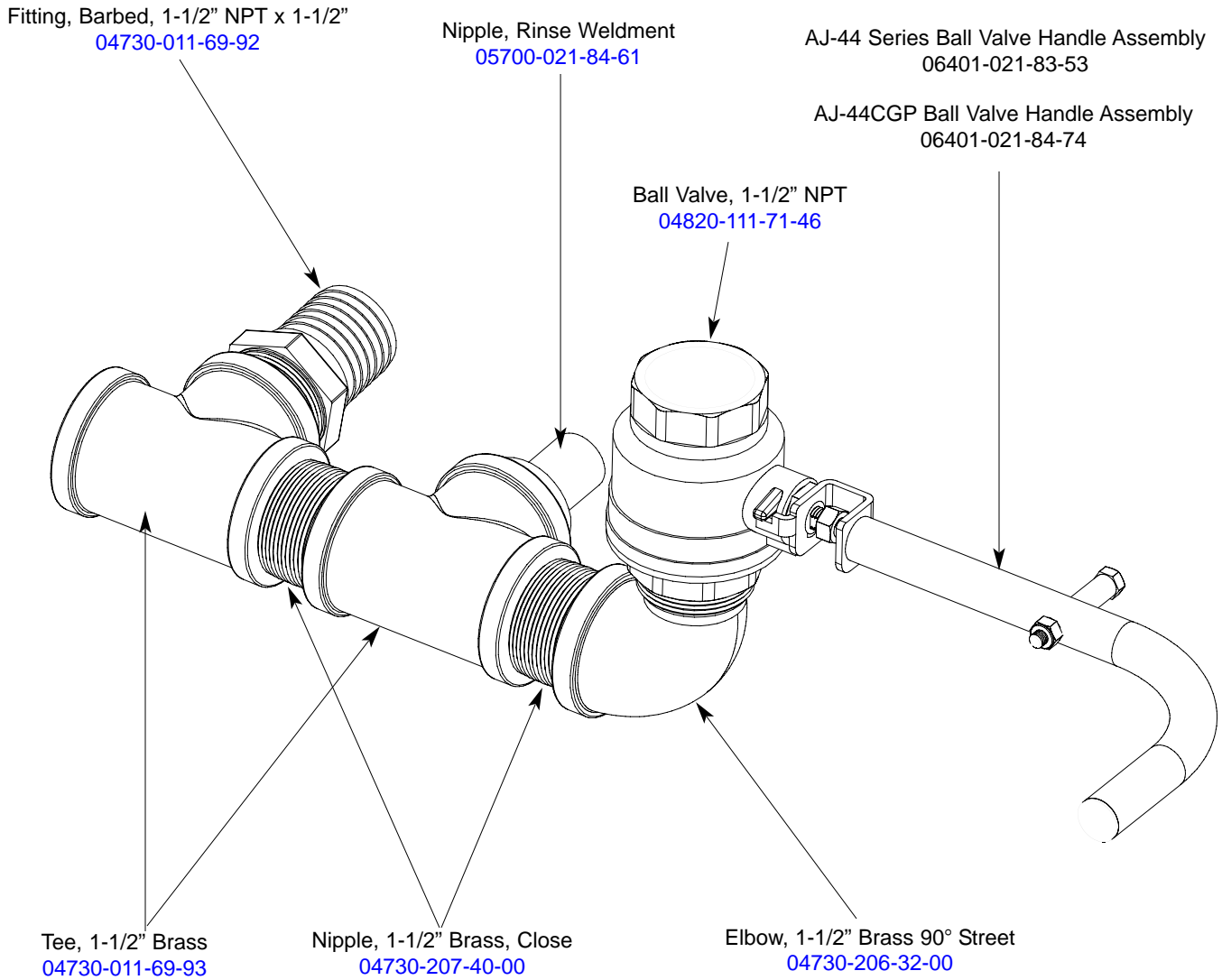
Replacement Kits Notes:
 The rinse injector and fill injector replacement kits come with the injector weldments, the gaskets and hardware for mounting. In the case of Item (1) below, it also comes with the required (3) brass plugs.

ITEM	QTY	DESCRIPTION	Mfg. No.
1	1	Rinse Injector Weldment Replacement Kit	06401-003-11-84
	1	Gasket	05330-111-42-81
2	3	Plug, 1/8" NPT, Brass	04730-209-07-37
3	2	Vacuum Breaker, 3/4" NPT	04820-002-53-77
4	2	Valve, Solenoid, 3/4" NPT, 110 Volt	04810-100-53-00
5	3	Elbow, 3/4" Street Brass	04730-206-04-34
6	4	Nipple, Close, Brass, 3/4" NPT	04730-207-34-00
7	4	Union, 3/4", Copper to Copper	04730-212-05-00
8	2	Adapter, 3/4" Fitting x Male	04730-401-11-01
9	1	Elbow, 90° 3/4" Copper to MSPS	04730-406-42-01
10	1	Tee, 3/4", CU x CU x CU	04730-411-46-01
11	2	Tee, 3/4" x 3/4" x 1/2"	04730-411-03-01
12	2	Fitting, Adapter, 1/2" to 1/4"	04730-401-41-01
13	1	Plug, 1/4" NPT, Brass	04730-209-01-00
14	1	Test Cock, Valve, Ball, 1/4" NPT	04810-011-72-67
15	1	Gauge, Pressure, 0-100 PSI	06685-111-88-34
16	1	Nipple, Brass, 6" Long	05700-001-26-74
17	1	Fill Injector Replacement Kit	06401-003-09-93
	1	Gasket	05330-111-42-81
18	1	Tube, Copper	See Chart
19	1	Tube, Copper	See Chart
20	1	Tube, Copper	See Chart
21	1	Tube, Copper	See Chart
22	1	Elbow, 3/4" NPT, 90° Brass	04730-206-13-00

SECTION 5: PARTS SECTION
RINSE HEADER PLUMBING ASSEMBLY (CGP MODELS)



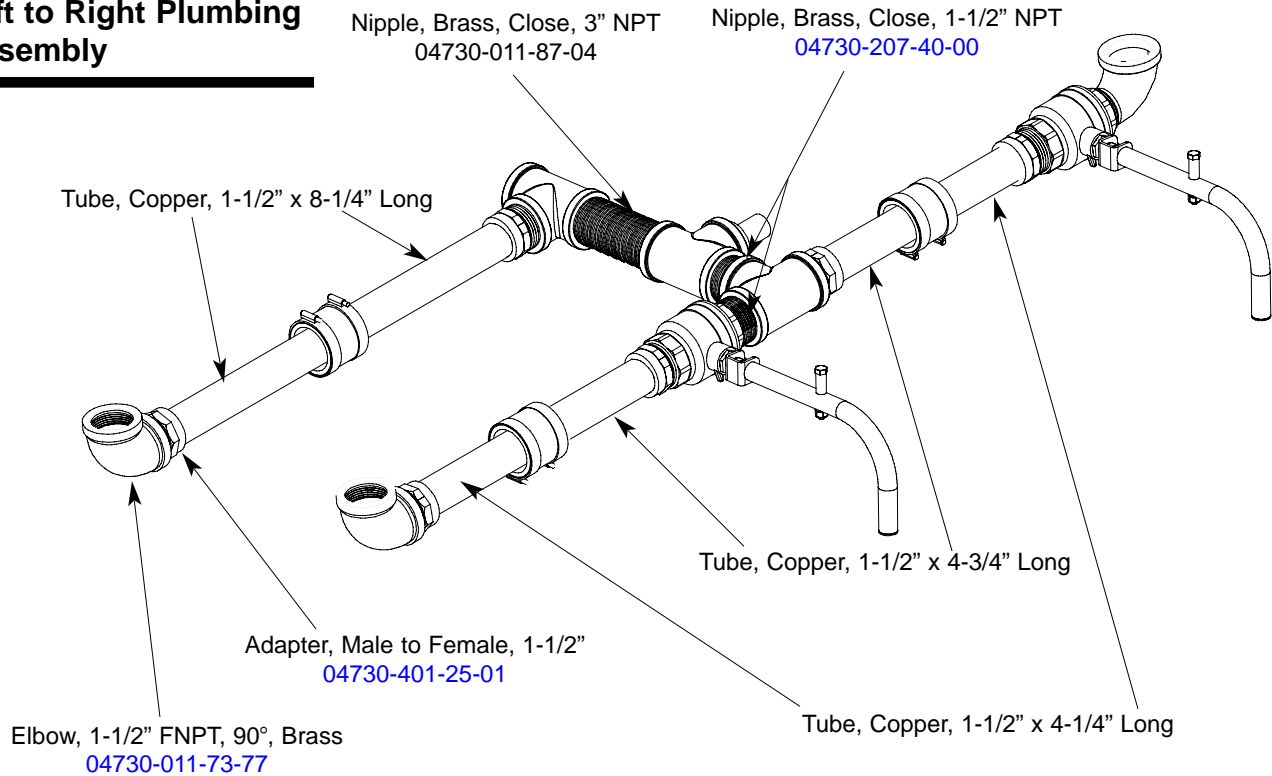
SECTION 5: PARTS SECTION
AJ-44 SERIES DRAIN PLUMBING ASSEMBLIES



SECTION 5: PARTS SECTION

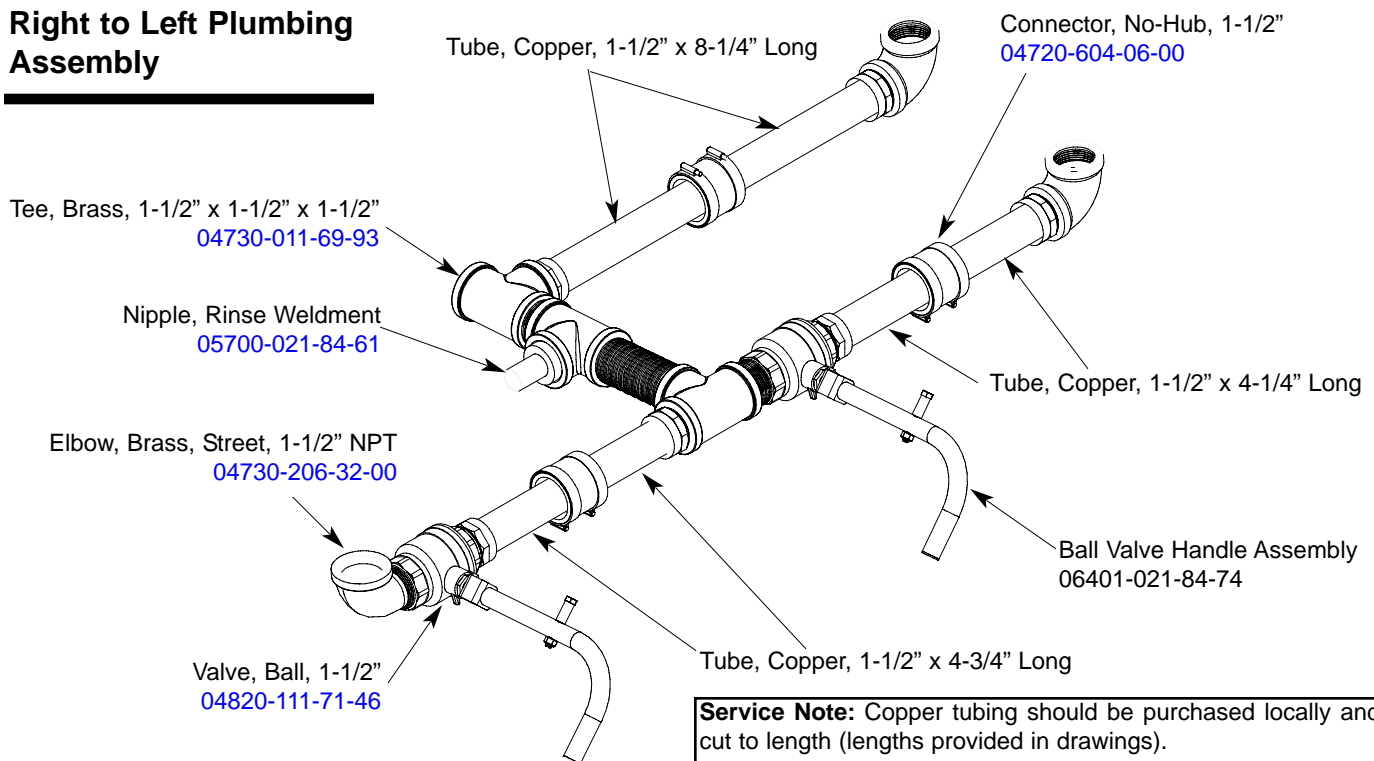
AJ-66 DRAIN PLUMBING ASSEMBLIES

Left to Right Plumbing Assembly



All parts are common to both assemblies.

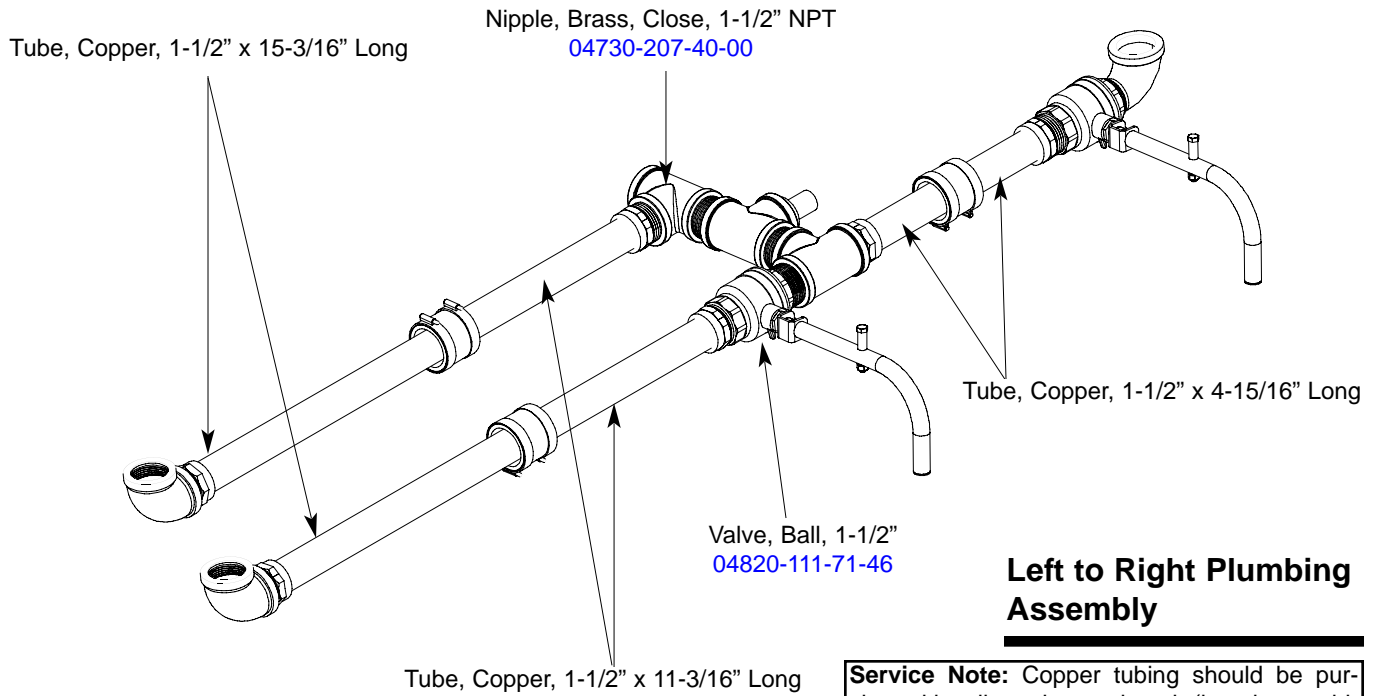
Right to Left Plumbing Assembly



Service Note: Copper tubing should be purchased locally and cut to length (lengths provided in drawings).

SECTION 5: PARTS SECTION

AJ-80 DRAIN PLUMBING ASSEMBLIES

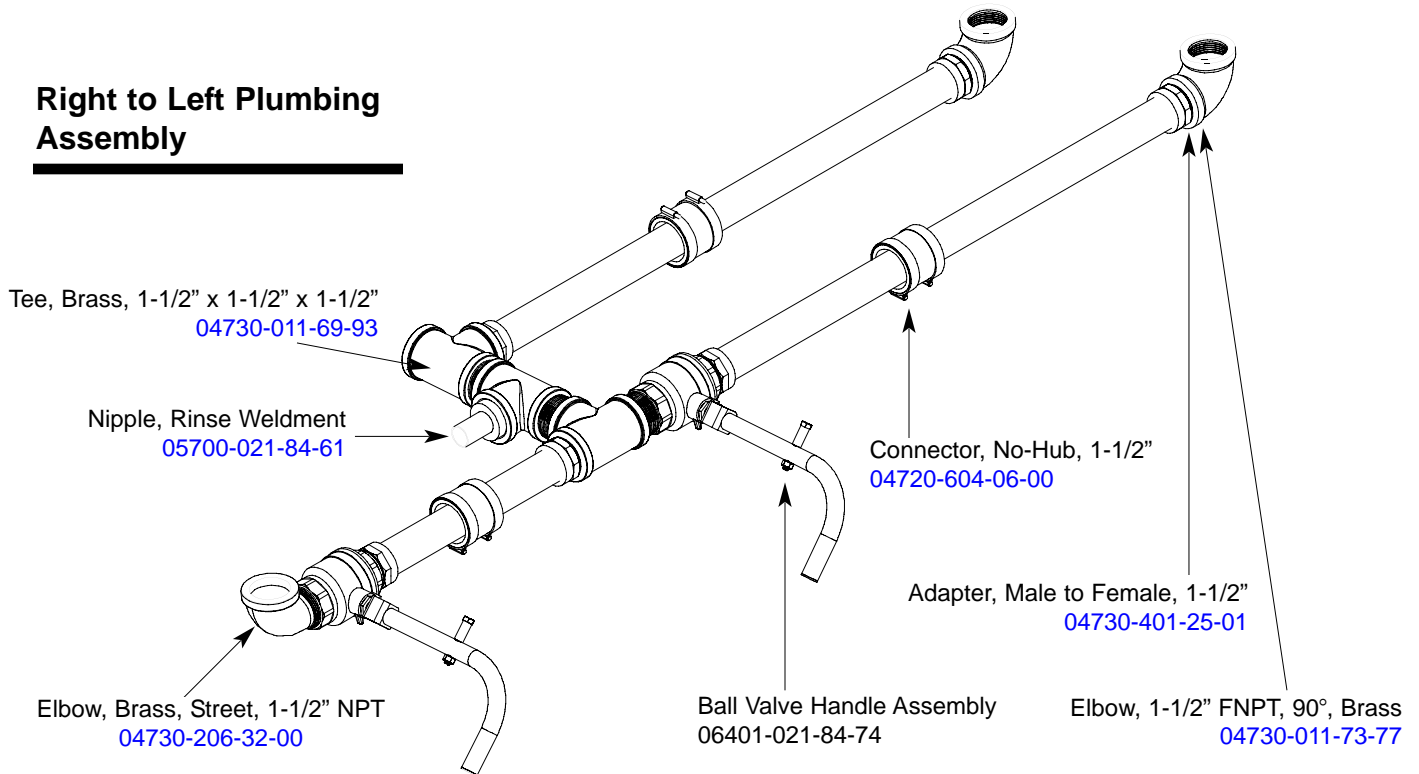


Left to Right Plumbing Assembly

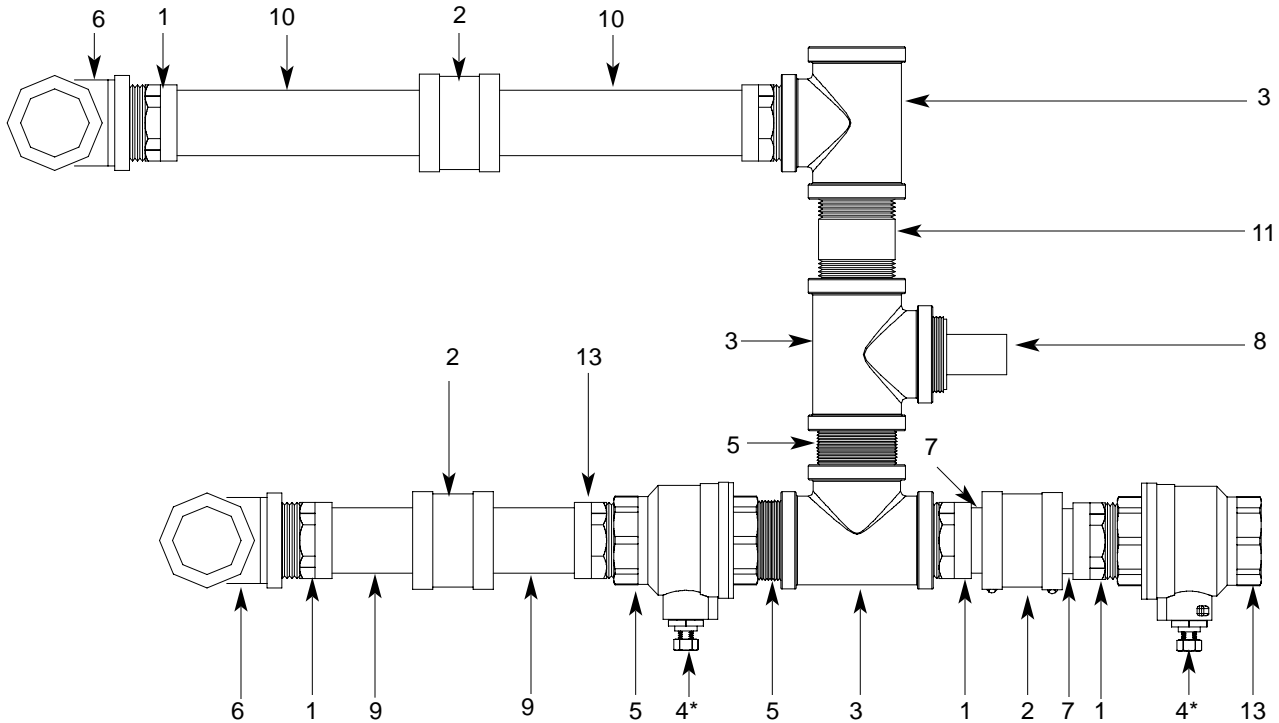
Service Note: Copper tubing should be purchased locally and cut to length (lengths provided in drawings).

Assemblies are mirrored and all parts are common to both assemblies.

Right to Left Plumbing Assembly



SECTION 5: PARTS SECTION
AJ-66CGP (LEFT TO RIGHT) DRAIN PLUMBING ASSEMBLY

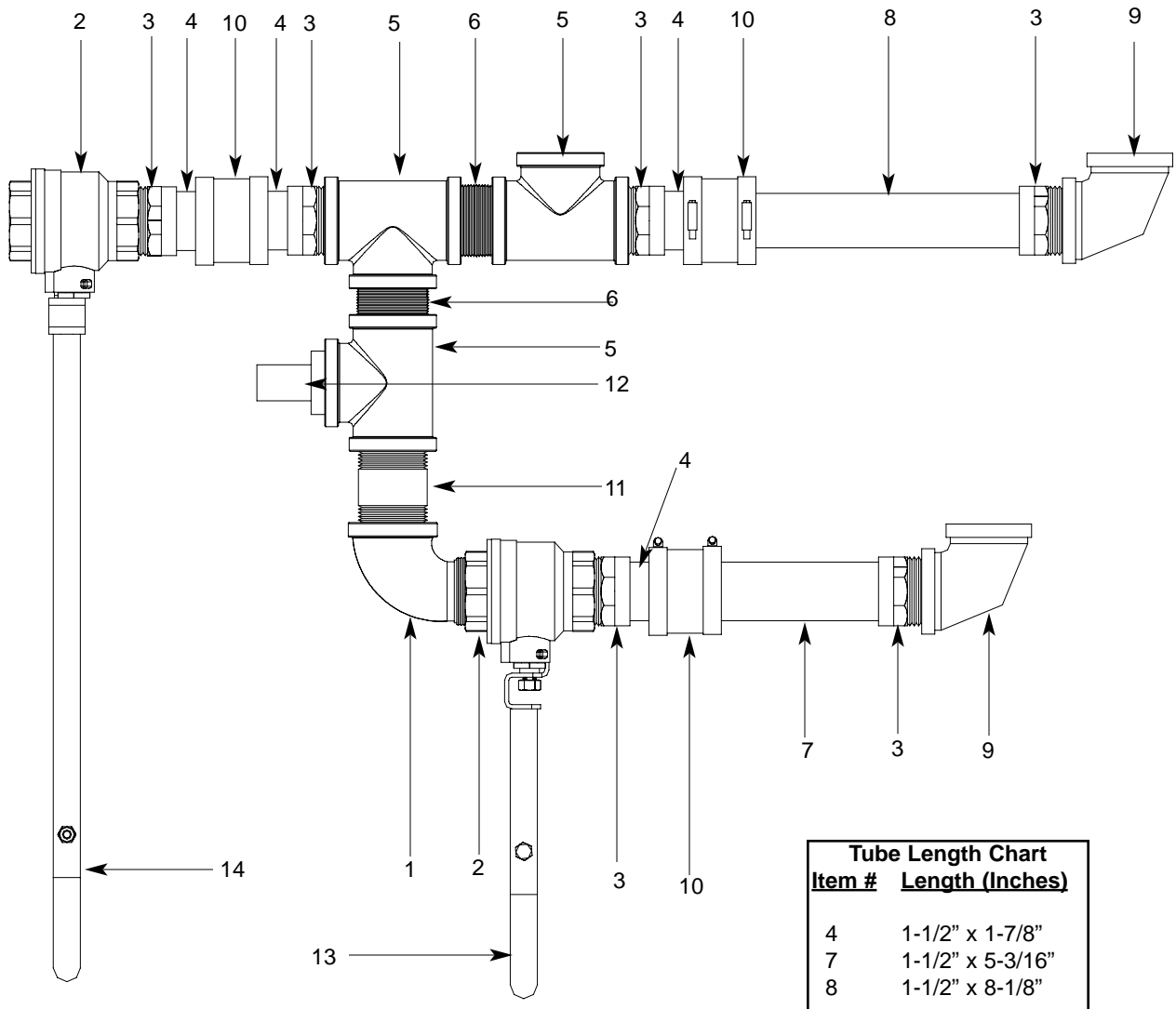


ITEM	QTY	DESCRIPTION	Mfg. No.
1	6	Adapter, Male to Female, 1-1/2"	04730-401-25-01
2	3	No-Hub Connector	04720-604-06-00
3	3	Tee, Brass, 1-1/2" FNPT	04730-011-69-93
4	2	Ball Valve, 1-1/2" FNPT	04820-011-71-46
*	2	Valve Handle Weldment Assembly (Not Shown)	06401-021-84-74
5	2	Nipple, Brass, Close, 1-1/2" NPT	04730-207-40-00
6	2	Elbow, Brass, 90°, 1-1/2" FNPT	04730-011-73-77
7	2	Tube, Copper, 1-1/2" x 1-3/4" Long	See Service Note
8	1	Rinse Nipple Weldment	05700-021-84-61
9	2	Tube, Copper, 1-1/2" x 3-1/2" Long	See Service Note
10	2	Tube, Copper, 1-1/2" x 7-1/2" Long	See Service Note
11	1	Nipple, Brass, 1-1/2" NPT x 3" Long	04730-011-87-04

Service Note: Copper tubing should be purchased locally and cut to length (lengths provided in parts list above).

SECTION 5: PARTS SECTION

AJ-66CGP (RIGHT TO LEFT) DRAIN PLUMBING ASSEMBLY



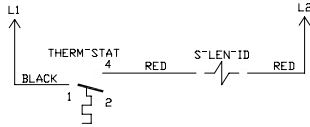
Tube Length Chart	
Item #	Length (Inches)
4	1-1/2" x 1-7/8"
7	1-1/2" x 5-3/16"
8	1-1/2" x 8-1/8"

ITEM	QTY	DESCRIPTION	Mfg. No.
1	1	Elbow, 1-1/2" NPT, Brass, Street	04730-206-32-00
2	2	Valve, Ball, 1-1/2" FNPT	04820-011-71-46
3	6	Adapter, Male to Female, 1-1/2"	04730-401-25-01
4	4	Tube, Copper	See Chart
5	3	Tee, Brass, 1-1/2" FNPT	04730-011-69-93
6	2	Nipple, Brass, 1-1/2" NPT, Close	04730-207-40-00
7	2	Tube, Copper	See Chart
8	2	Tube, Copper	See Chart
9	2	Elbow, Brass, 90°, 1-1/2" FNPT	04730-011-73-77
10	3	No-Hub Connector	04720-604-06-00
11	1	Nipple, Brass, 1-1/2" NPT x 3" Long	04730-011-87-04
12	1	Rinse Nipple Weldment	05700-021-84-61
13	1	Valve Handle Weldment Assembly	06401-021-84-74
14	1	Valve Handle Weldment Assembly	06401-002-57-83

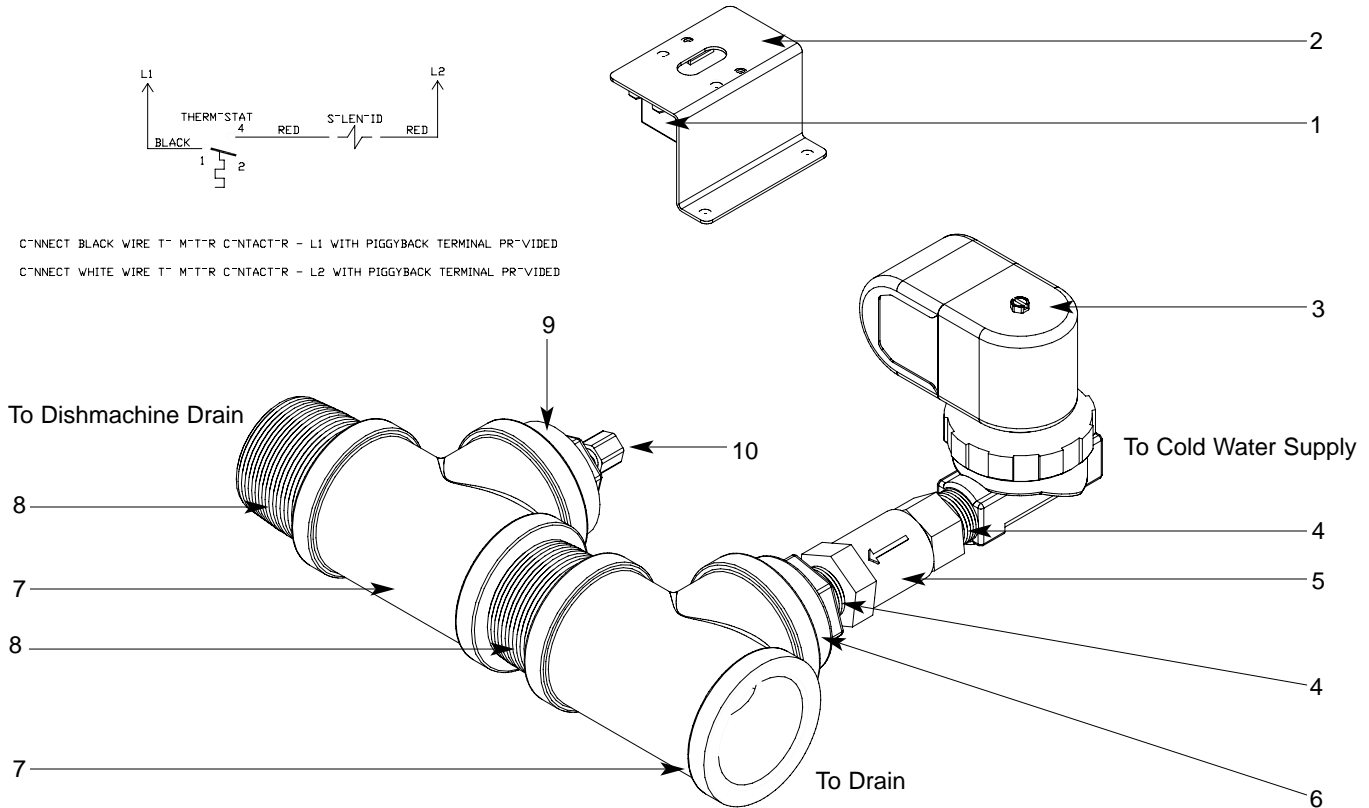
SECTION 5: PARTS SECTION

DRAIN QUENCH SYSTEM

Schematic



CONNECT BLACK WIRE TO MOTOR CONTACTOR - L1 WITH PIGGYBACK TERMINAL PROVIDED
 CONNECT WHITE WIRE TO MOTOR CONTACTOR - L2 WITH PIGGYBACK TERMINAL PROVIDED



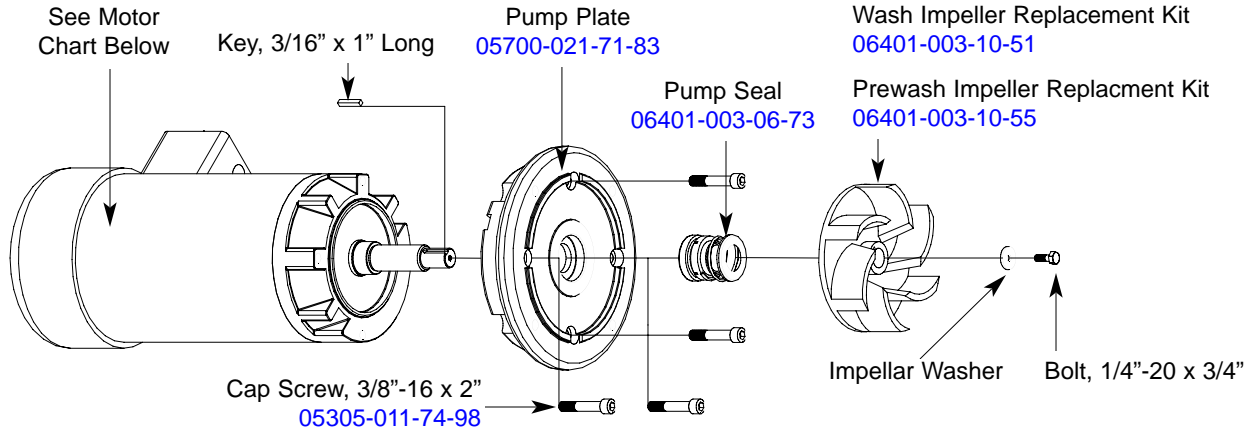
From the existing drain, attach the two additional Tees (Item 7) using the 1-1/2" NPT Close Nipples (Item 8). Tighten the Reducers (Items 6 & 9) into the Tees as shown above. Attach the Modified Compression Fitting (Item 10) into the 1-1/2" to 1/4" Reducer (Item 9). Position the bulb of the thermostat (Item 1) so that it rests approximately 1/4" from the bottom of the Tee (Item 7). Tighten the Modified Compression Fitting (Item 10) as required.

Mount the Thermostat (Item 1) to the tub using the Thermostat Bracket (Item 2) and set it for 120°F - 140°F. Install the Solenoid Valve (Item 3) to the second Tee (Item 7) and then attach to the incoming cold water line. Use pipe dope or thread tape as required to prevent any leaks.

ITEM	QTY	DESCRIPTION	Mfg. No.
1	1	Thermostat	05930-121-67-72
2	1	Thermostat Bracket	05700-022-73-72
3	1	Solenoid Valve	04810-100-09-18
4	2	Nipple, Close, 1/2" NPT, Brass	04730-207-15-00
5	1	Valve, Check, 1/2"	04820-002-55-77
6	1	Reducer, 1-1/2" to 1/2"	04730-002-55-75
7	2	Tee, 1-1/2" x 1-1/2" x 1-1/2"	04730-011-69-93
8	2	Nipple, 1-1/2", Close, Brass	04730-207-40-00
9	1	Reducer, 1-1/2" to 1/4"	04730-002-55-76
10	1	Modified Compression Fitting	05700-001-16-52
	1	Complete Kit	06401-002-44-07

SECTION 5: PARTS SECTION

MOTOR ASSEMBLIES



Replacement Kit Notes:
The impeller replacement kits come with the impeller, washer, key and bolt. The motor kits come with everything detailed above as well as two new mounting gaskets.

Kit, Motor Brkt Replace
06401-021-73-42

WASH MOTOR CHART

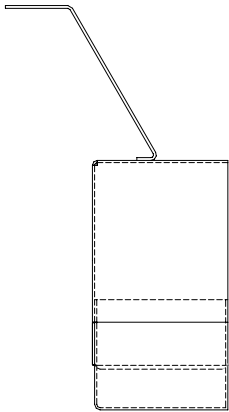
Volts	Phase	H _z	Motor Part Number	Kit Part Number
200 - 440	3	50	06105-121-81-34	06401-003-09-96
208 - 230	1	60	06105-021-70-57	06401-003-09-97
200 - 230	3	60	06105-121-70-58	06401-003-09-98
380	3	60	06105-121-81-34	06401-003-09-96
460	3	60	06105-121-70-58	06401-003-09-98
600	3	60	06105-002-48-31	06401-003-09-99

PREWASH MOTOR CHART

Model(s)	Volts	Phase	H _z	Part Number	Kit Part Number
AJ-66's	208	3	50	06105-121-70-56	06401-003-10-38
	220	3	50	06105-121-70-56	06401-003-10-38
	230	3	50	06105-121-70-56	06401-003-10-38
	380	3	50	06105-121-81-34	06401-003-10-39
	415	3	50	06105-121-81-34	06401-003-10-39
	440	3	50	06105-121-70-56	06401-003-10-38
	208	1	60	06105-121-70-55	06401-003-10-40
	230	1	60	06105-121-70-55	06401-003-10-40
	200	3	60	06105-121-70-56	06401-003-10-38
	220	3	60	06105-121-70-56	06401-003-10-38
	230	3	60	06105-121-70-56	06401-003-10-38
	380	3	60	06105-121-70-56	06401-003-10-38
	460	3	60	06105-121-70-56	06401-003-10-38
600	3	60	06105-002-48-31	06401-003-10-41	
AJ-80's	208	3	50	06105-121-81-34	06401-003-10-39
	220	3	50	06105-121-81-34	06401-003-10-39
	230	3	50	06105-121-81-34	06401-003-10-39
	380	3	50	06105-121-81-34	06401-003-10-39
	415	3	50	06105-121-81-34	06401-003-10-39
	440	3	50	06105-121-81-34	06401-003-10-39
	208	1	60	06105-121-70-57	06401-003-10-42
	230	1	60	06105-121-70-57	06401-003-10-42
	200	3	60	06105-121-70-58	06401-003-10-43
	220	3	60	06105-121-70-58	06401-003-10-43
	230	3	60	06105-121-70-58	06401-003-10-43
	380	3	60	06105-121-81-34	06401-003-10-39
	460	3	60	06105-121-70-58	06401-003-10-43
600	3	60	06105-002-48-31	06401-003-10-41	

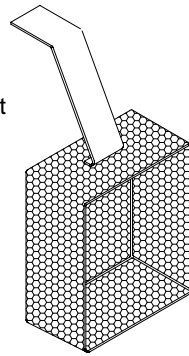
Motor Mounting Gasket
06401-003-06-75

SECTION 5: PARTS SECTION
PREWASH & WASH PUMP WELDMENTS

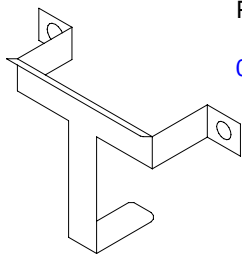
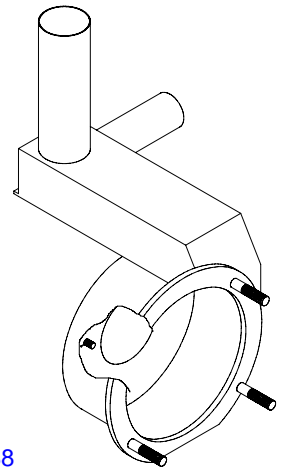


Intake Suction Scoop Weldment
 05700-021-87-60

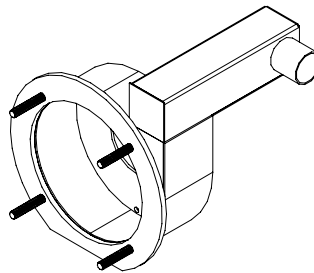
Prewash Intake
 Strainer Weldment
 05700-021-74-96



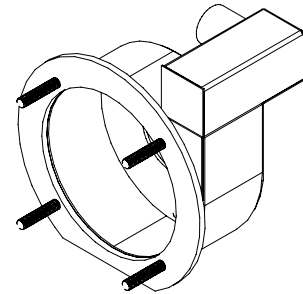
Wash Pump
 Weldment
 05700-041-68-88



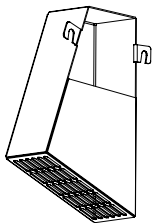
Prewash Strainer
 Bracket
 05700-021-74-94



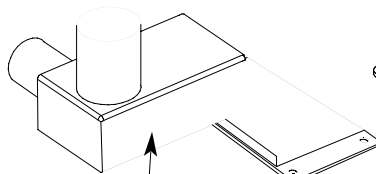
Prewash Pump Weldment
 AJ-66/AJ-80 Left to Right models:
 05700-002-10-62



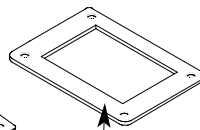
Prewash Pump Weldment
 AJ-66/AJ-80 Right to Left models:
 05700-002-11-96



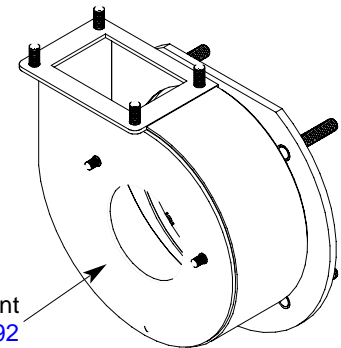
Scoop, Intake Suction Wash
 Weldment
 05700-002-51-20



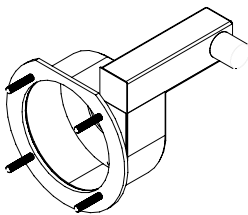
Pump Discharge
 Weldment
 05700-002-50-90



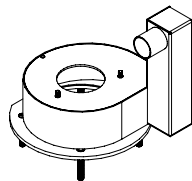
Gasket
 05330-002-54-55



Wash Pump Weldment
 05700-002-50-92



Prewash Pump Weldment
 AJ-66CGP Left to Right model
 05700-002-43-56



Prewash Pump Weldment
 AJ-66CGP Right to Left model
 05700-002-42-69

SECTION 5: PARTS SECTION

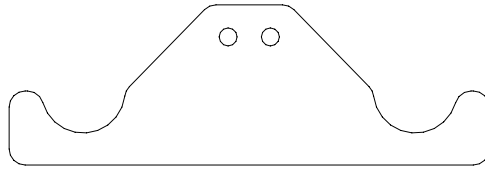
LOWER WASH ARM ASSEMBLY

Lower Wash Arm Support Bracket

05700-011-71-20

Secured with Locknut, 1/4"-20 with Nylon Insert

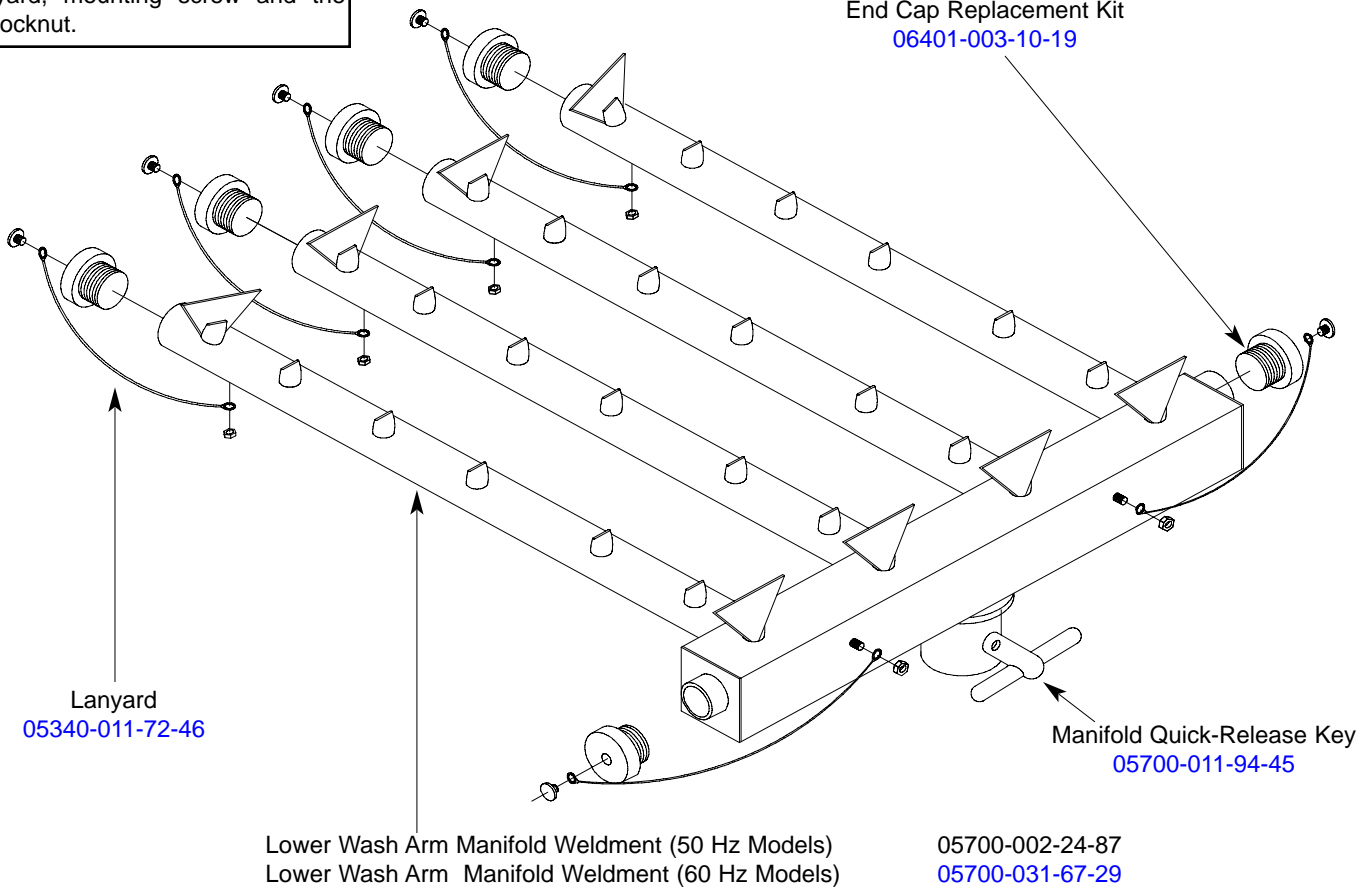
05310-374-01-00



Replacement Kit Note:
The replacement kit for the end cap includes the endcap, lanyard, mounting screw and the locknut.

End Cap Replacement Kit

06401-003-10-19



Lanyard

05340-011-72-46

Lower Wash Arm Manifold Weldment (50 Hz Models)

05700-002-24-87

Lower Wash Arm Manifold Weldment (60 Hz Models)

05700-031-67-29

Manifold Quick-Release Key

05700-011-94-45

Complete Lower Wash Arm Assembly (50 Hz)

05700-002-24-86

Complete Lower Wash Arm Assembly (60 Hz)

05700-031-74-66

Service Note:

When replacing the 10-32 screws in the End Caps, it is recommended that a thread locking fluid be used to ensure that the screws do not back out during normal operation.

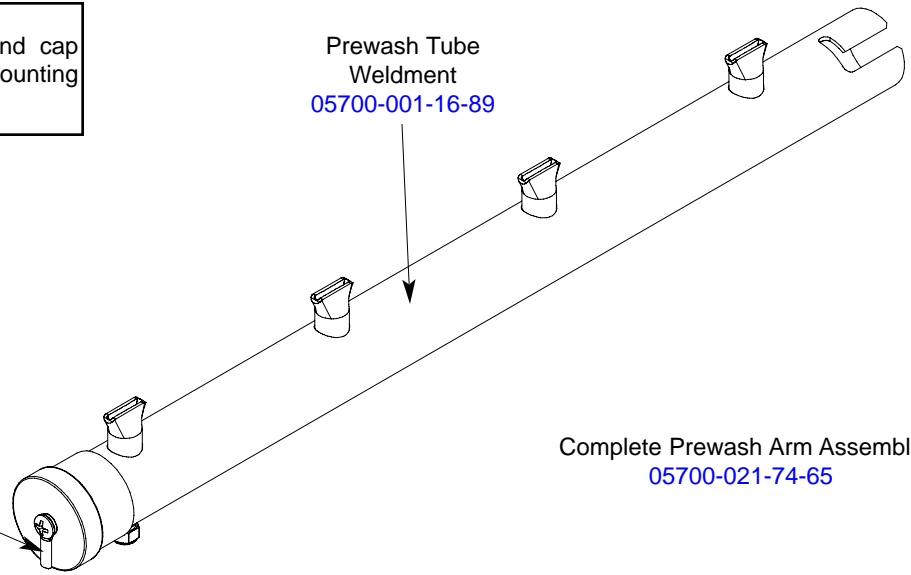
SECTION 5: PARTS SECTION
PREWASH ARM/UPPER WASH ARM ASSEMBLY

Replacement Kit Note:
 The replacement kit for the end cap includes the endcap, lanyard, mounting screw and the locknut.

End Cap Replacement Kit
 06401-003-10-19

Prewash Tube Weldment
 05700-001-16-89

Complete Prewash Arm Assembly
 05700-021-74-65



Upper Wash Manifold Support Bracket
 05700-021-73-97

Lanyard
 05340-011-72-46

End Cap Replacement Kit
 06401-003-10-19

Replacement Kit Note:
 The replacement kit for the end cap includes the endcap, lanyard, mounting screw and the locknut.

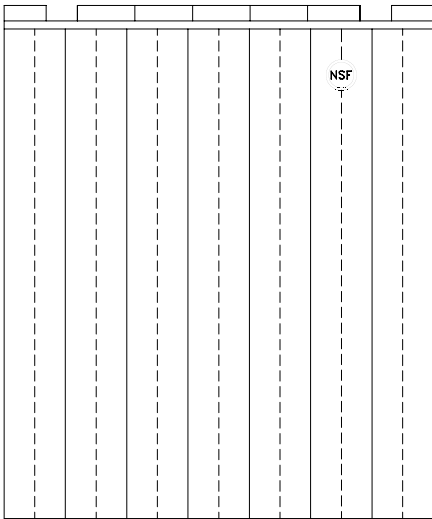
Cap, Wash Tube
 05700-021-69-68

Upper Wash Arm Manifold Weldment
 05700-031-67-34

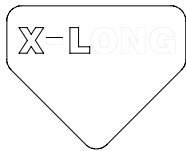
Service Note:
 When replacing the 10-32 screws in the End Caps, it is recommended that a thread locking fluid be used to ensure that the screws do not back out during normal operation.

Complete Upper Arm Assembly
 05700-031-74-99

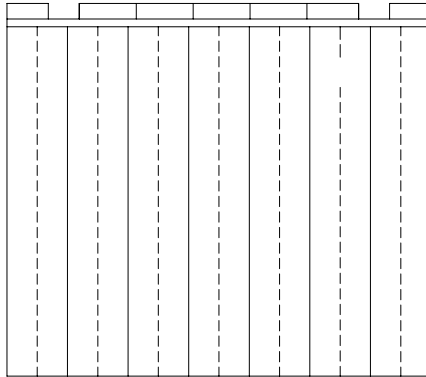
SECTION 5: PARTS SECTION
CURTAINS/TUB MAGNETS



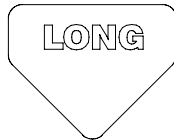
Curtain, 24 1/2" Long x 20-1/2" Wide
CGP MODELS ONLY
08415-002-47-37



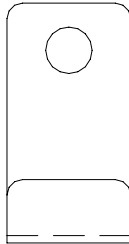
Extra Long Curtain Decal
CGP MODELS ONLY
09905-002-52-69



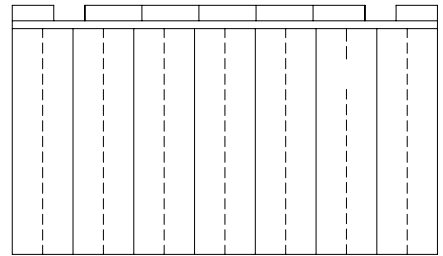
Curtain, 21" Long x 20-1/2" Wide
08415-131-73-45



Long Curtain Decal
09905-011-73-84



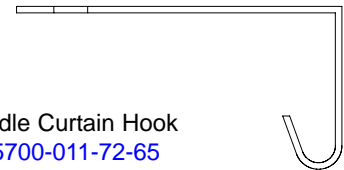
Curtain Hook
05700-011-83-54



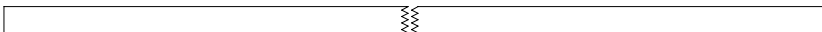
Curtain, 12" Long x 20-1/2" Wide
08415-131-73-44



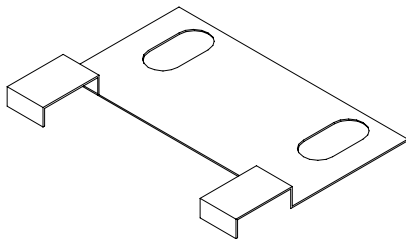
Short Curtain Decal
09905-011-73-82



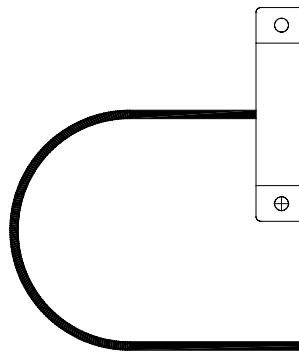
Middle Curtain Hook
05700-011-72-65



Curtain Rod
05700-021-73-43



Limit Switch Bracket
05700-021-71-18



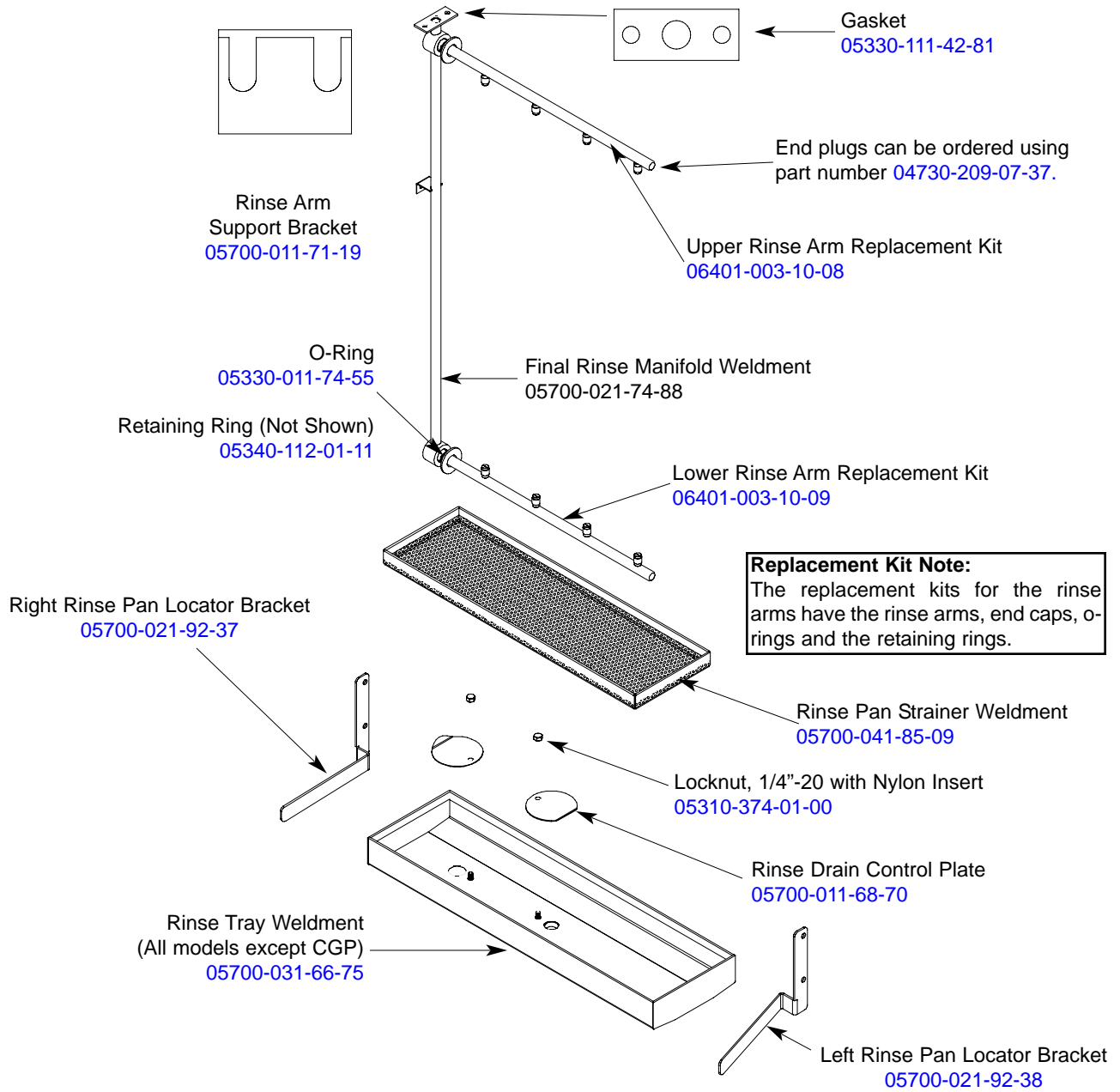
Conveyor Switch Replacement Kit
06401-003-11-79

Replacement Kit Note:
The conveyor switch replacement kit comes with the switch, a terminal and a wire nut.

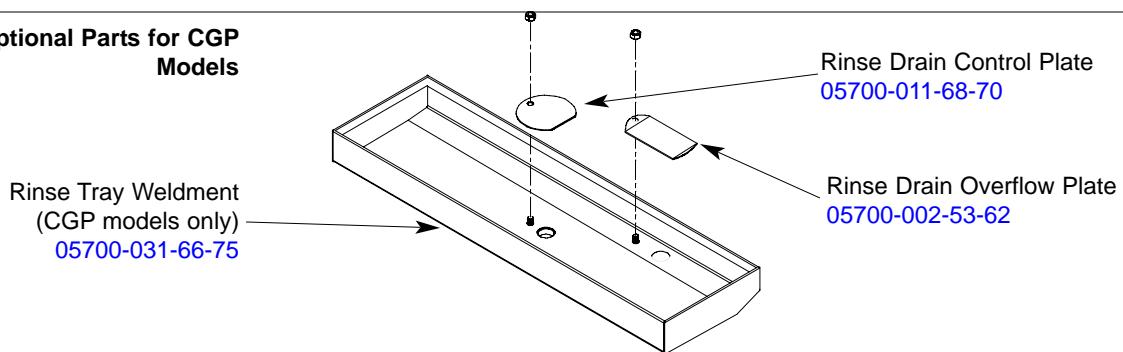
Service Note:
The cord for the conveyor switch needs to be cut to length in the field and have the pink terminal applied there.

SECTION 5: PARTS SECTION

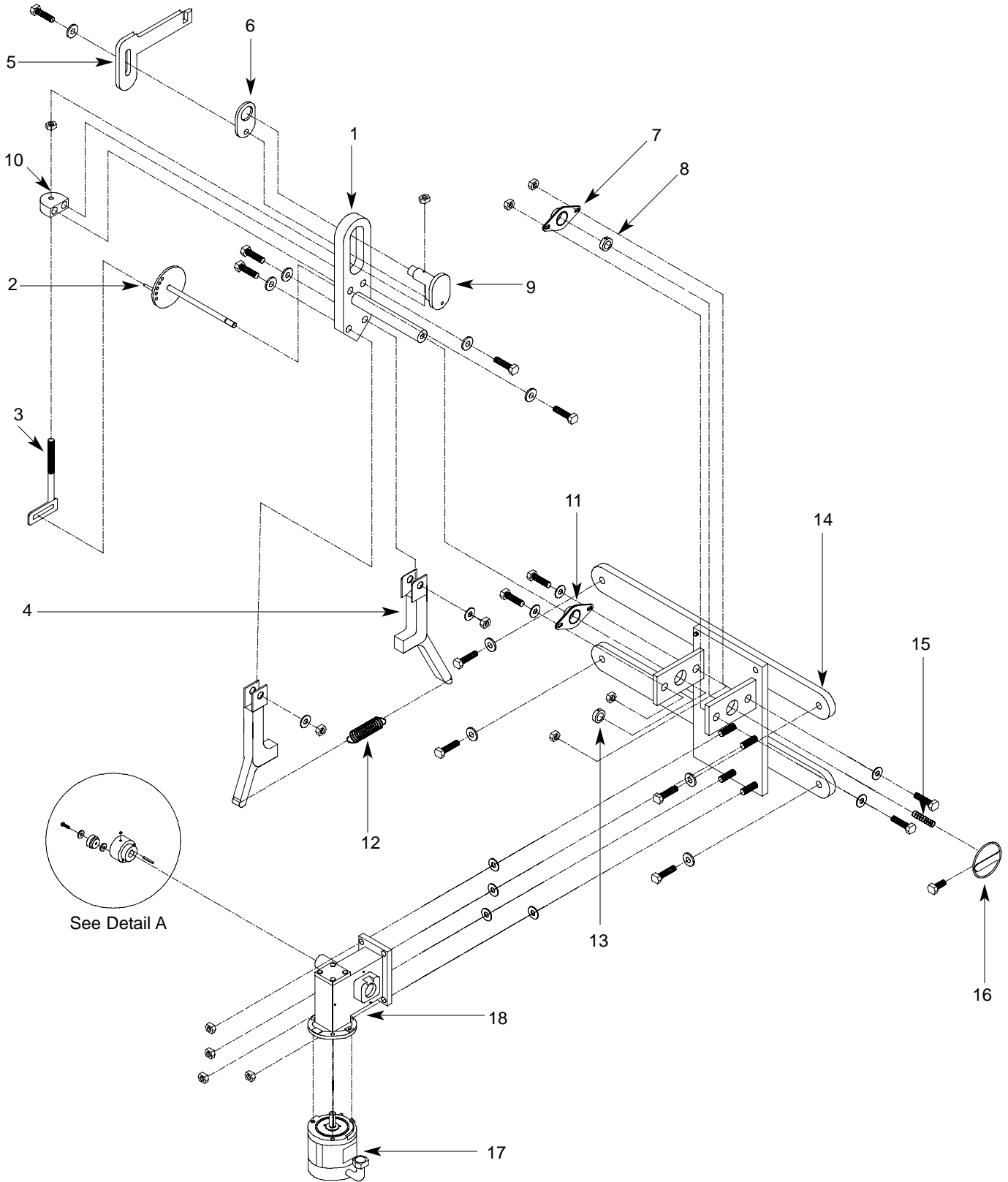
FINAL RINSE ASSEMBLY



Optional Parts for CGP Models



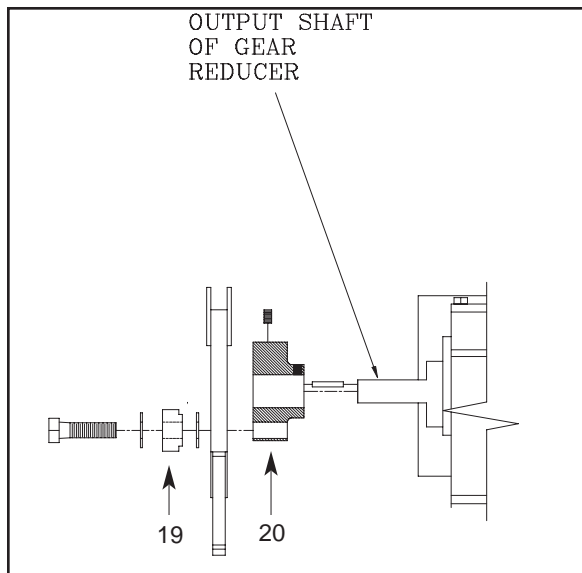
SECTION 5: PARTS SECTION
DRIVE ASSEMBLY



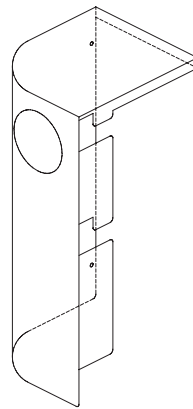
SECTION 5: PARTS SECTION

DRIVE ASSEMBLY (CONTINUED)

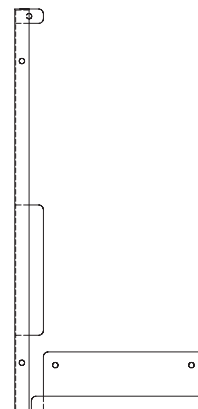
ITEM	QTY	DESCRIPTION	Mfg. No.
1	1	Drive Plate and Rod Weldment Replacement Kit with Expansion Legs Replacement Kit with Expansion Legs/Adjuster Crank	05700-021-67-44 06401-021-86-80 06401-011-94-54
2	1	Adjuster Crank Assembly	05700-021-69-95
3	1	Scotch Yoke Weldment Replacement Kit	06401-003-08-48
4	2	Coupling & Expansion Leg Weldment	09515-003-58-12
5	1	Pawl Bar Drive Linkage Casting	09515-021-87-73
6	1	Spacer Plate	05700-011-67-58
7	2	Pillow Block Replacment Kit	06401-003-08-50
8	2	Shaft Collar	05700-011-89-18
9	1	Drive Socket	05700-021-67-39
10	1	Drive Plate	05700-021-67-42
11	2	Pillow Block	03120-021-71-87
12	1	Drive Spring	05315-011-83-51
13	2	Shaft Collar	05700-011-89-18
14	1	Drive Motor Mounting Bracket	05700-031-73-56
15	1	Adjuster Spring	05315-011-71-90
16	1	Adjusting Handle Weldment	05700-021-72-28
17	1	Drive Motor Replacement Kits Drive Motor (50 Hz Models)	06401-003-08-41
	1	Drive Motor (208-230 Volt, 60 Hz, Single Phase Models)	06401-003-08-42
		Drive Motor (208-230 Volt, 60 Hz, Three Phase Models)	06401-003-08-40
		Drive Motor (600 Volt, 60 Hz, Three Phase Models)	06401-003-08-43
18	1	Gear Drive	06105-011-71-88
19	1	Roller Bearing	03120-011-71-81
20	1	Drive Hub	05700-011-67-97



Detail A



Front Drive Motor Cover
Replacement Kit
06401-003-11-64

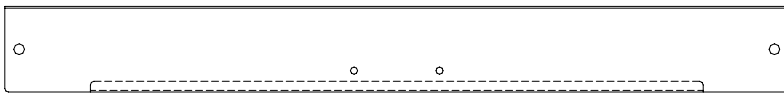
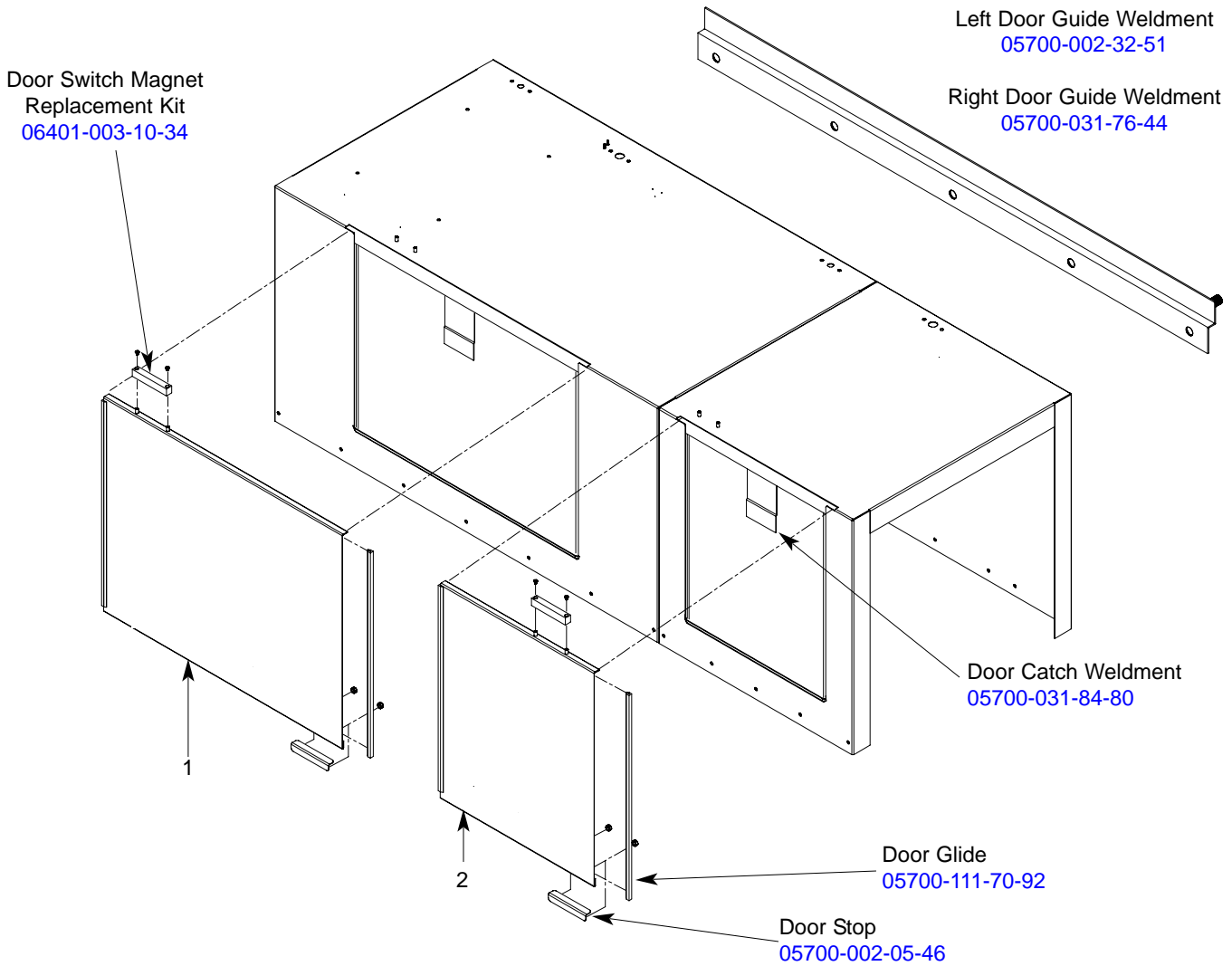


Rear Drive Motor Cover
Replacment Kit
06401-003-10-18

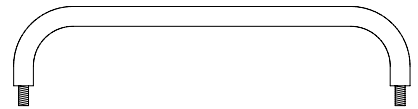
Replacement Kits Notes:

The replacement kits for the drive motor covers come with the weldments and the mounting hardware.

SECTION 5: PARTS SECTION
DOOR ASSEMBLIES



Wash Door Hood Support: 05700-031-84-13
Prewash Door Hood Support: 05700-031-84-14

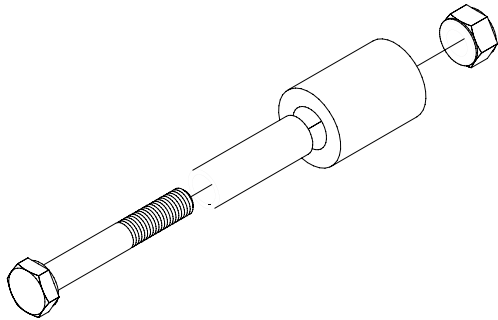


Wash Door Handle Weldment
05700-011-82-63

Prewash Door Handle Weldment
05700-011-80-45

ITEM	QTY	DESCRIPTION	Mfg. No.
1	1	Wash Door Assembly	05700-002-43-29
2	1	Prewash Door Weldment (Left to Right Model)	05700-002-52-50
2	1	Prewash Door Weldment (Right to Left Model)	05700-002-49-60
		Door Stiffener (Not Shown)	05700-031-83-43

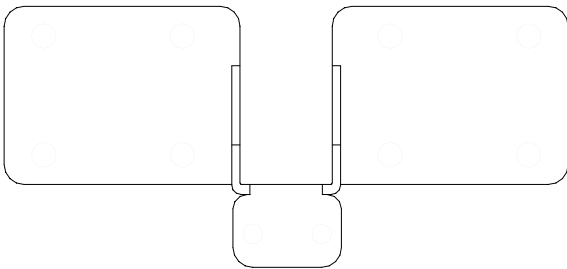
SECTION 5: PARTS SECTION
PAWL BAR MISCELLANEOUS COMPONENTS



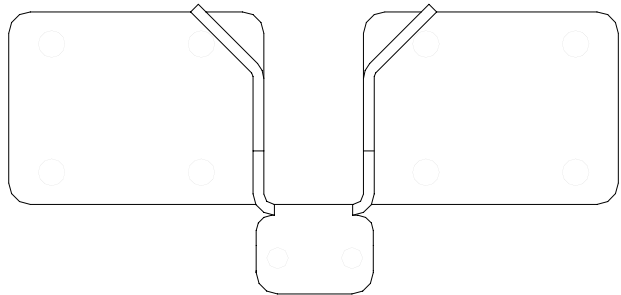
Pawl Bar Roller Replacement Kit
[06401-003-11-80](#)

Replacement Kit Notes:

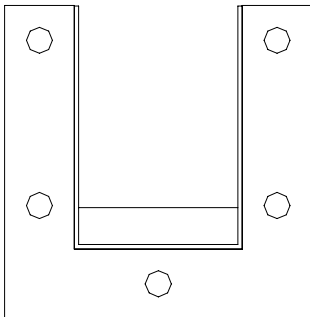
The replacement kit for the pawl bar roller comes with the roller, roller shaft, hardware and locknut as shown.



Pawl Bar Bracket (without tabs) Weldment
[05700-031-92-36](#)



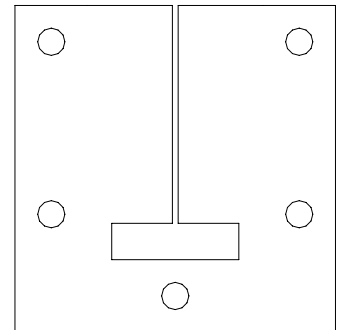
Pawl Bar Bracket (with studs) Weldment
[05700-031-84-68](#)



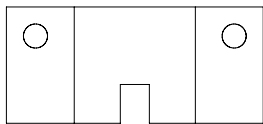
Pawl Bar Gutter Weldment Replacement Kit
[06401-003-09-95](#)

Replacement Kits Notes:

The pawl bar gutter weldment replacement kit contains the weldment, a gasket and the mounting hardware. The guide block kit contains both blocks and a gasket.



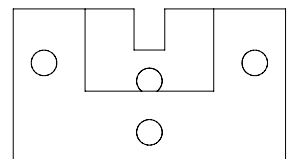
Pawl Bar Gutter Gasket
[05330-011-68-55](#)



Top Guide Block

Guide Block Replacment Kit
[06401-003-10-15](#)

Bottom Guide Block

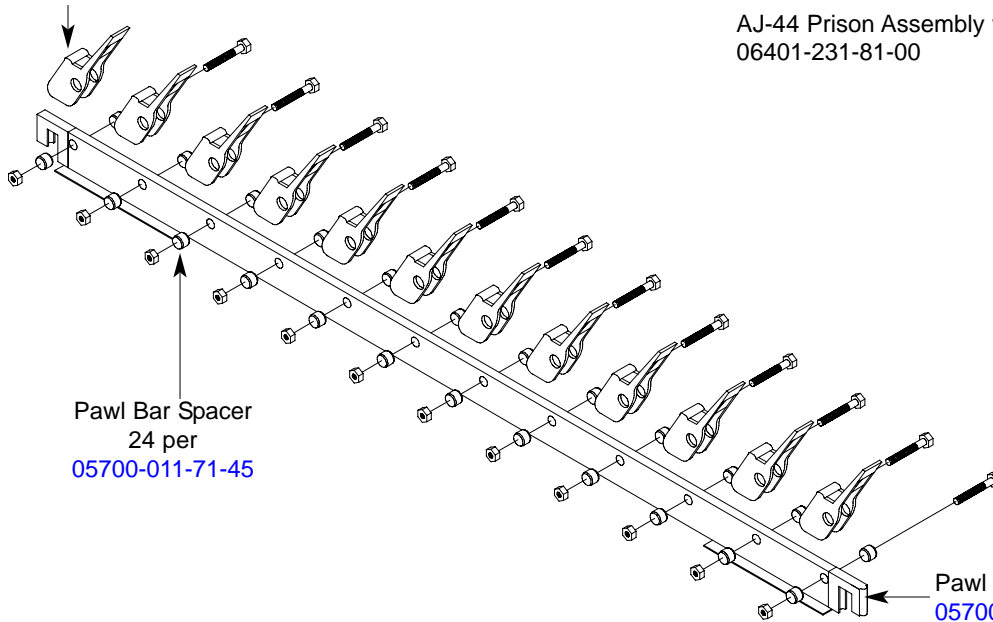


Service Note: It is highly recommended that when changing out one guide block, that the other be changed out as well, along with the gasket.

SECTION 5: PARTS SECTION

AJ-44 & AJ-66 PAWL BAR ASSEMBLIES

Pawl Bar Dog Casting
12 per
05700-021-69-00

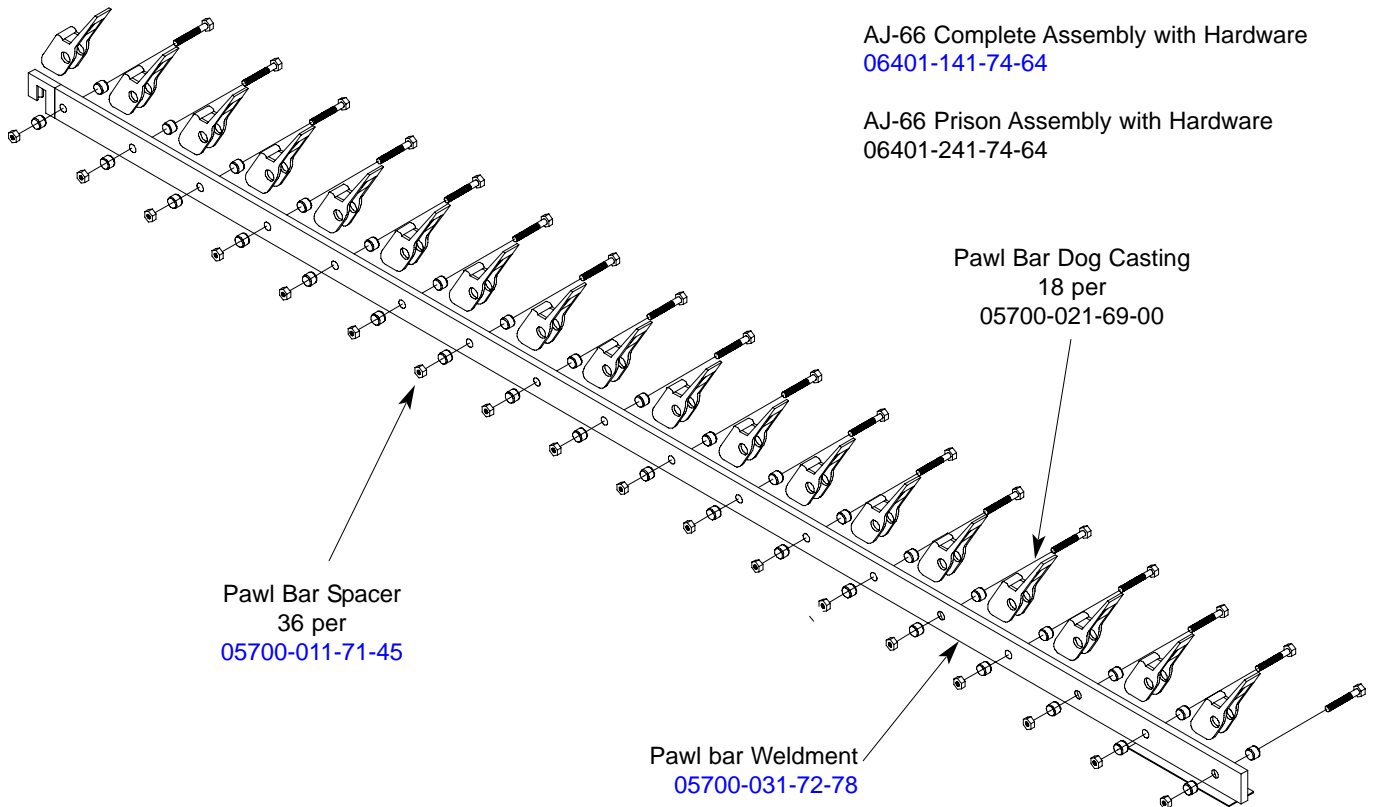


Pawl Bar Spacer
24 per
05700-011-71-45

Pawl Bar Weldment
05700-031-72-77

AJ-44 Complete Assembly with Hardware
06401-131-81-00

AJ-44 Prison Assembly with Hardware
06401-231-81-00



Pawl Bar Spacer
36 per
05700-011-71-45

Pawl Bar Dog Casting
18 per
05700-021-69-00

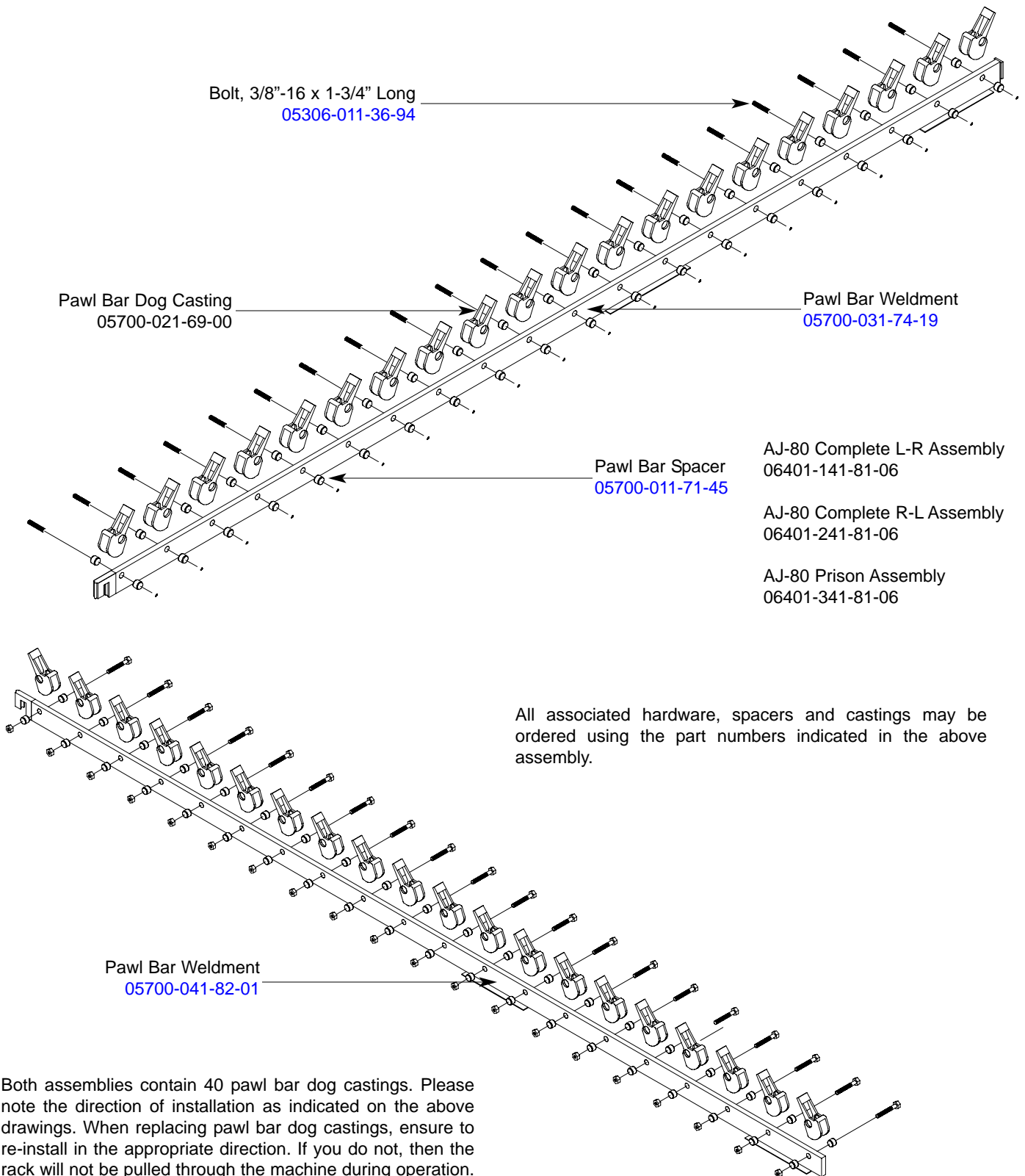
Pawl bar Weldment
05700-031-72-78

AJ-66 Complete Assembly with Hardware
06401-141-74-64

AJ-66 Prison Assembly with Hardware
06401-241-74-64

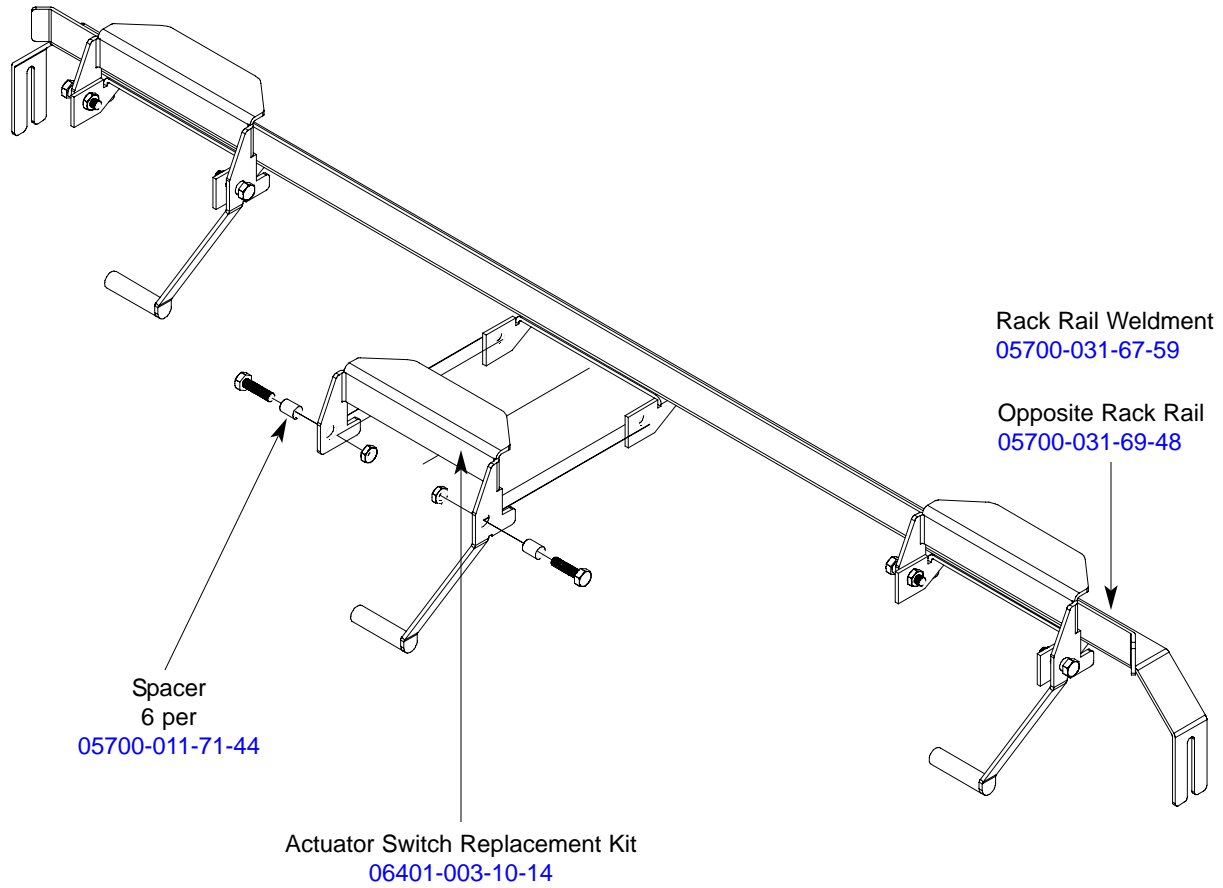
SECTION 5: PARTS SECTION

AJ-80 PAWL BAR ASSEMBLIES



SECTION 5: PARTS SECTION

AJ-44 RACK RAIL ASSEMBLY



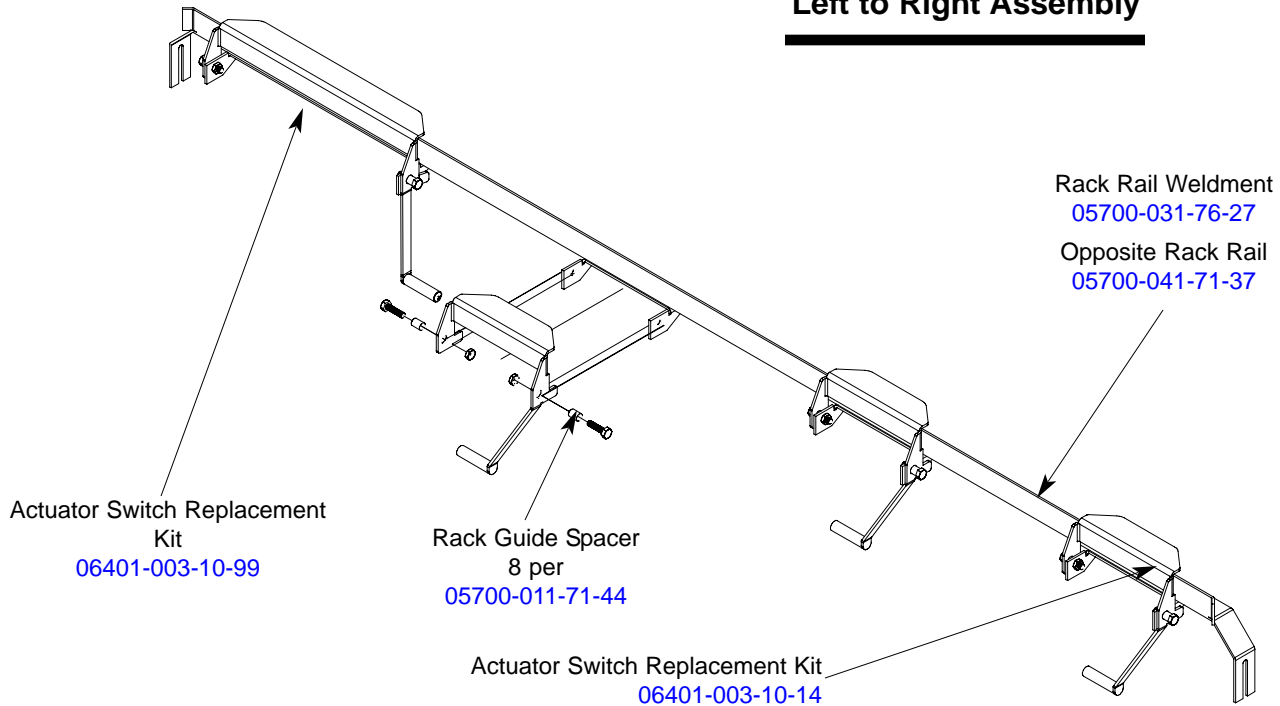
Replacement Kit Note:

The replacement kit for the actuator switch comes with the switch, two spacers and the mounting hardware.

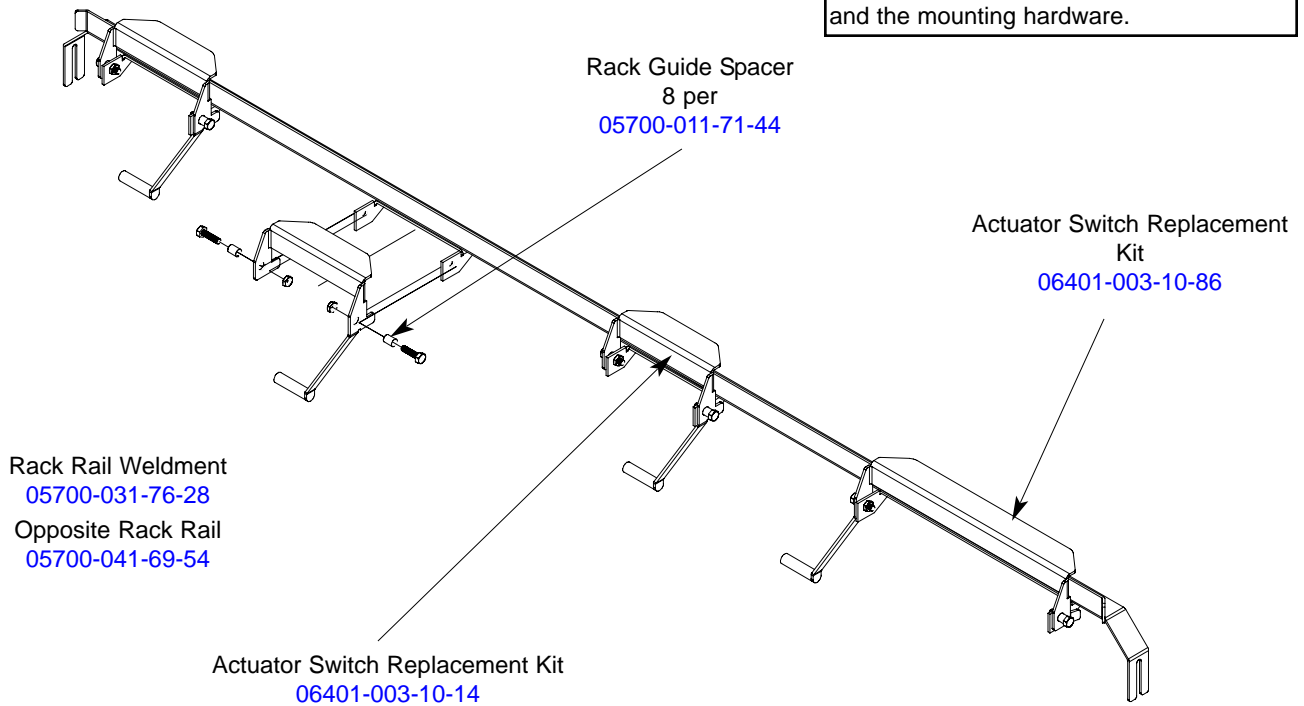
SECTION 5: PARTS SECTION

AJ-66 RACK RAIL ASSEMBLIES

Left to Right Assembly



Right to Left Assembly



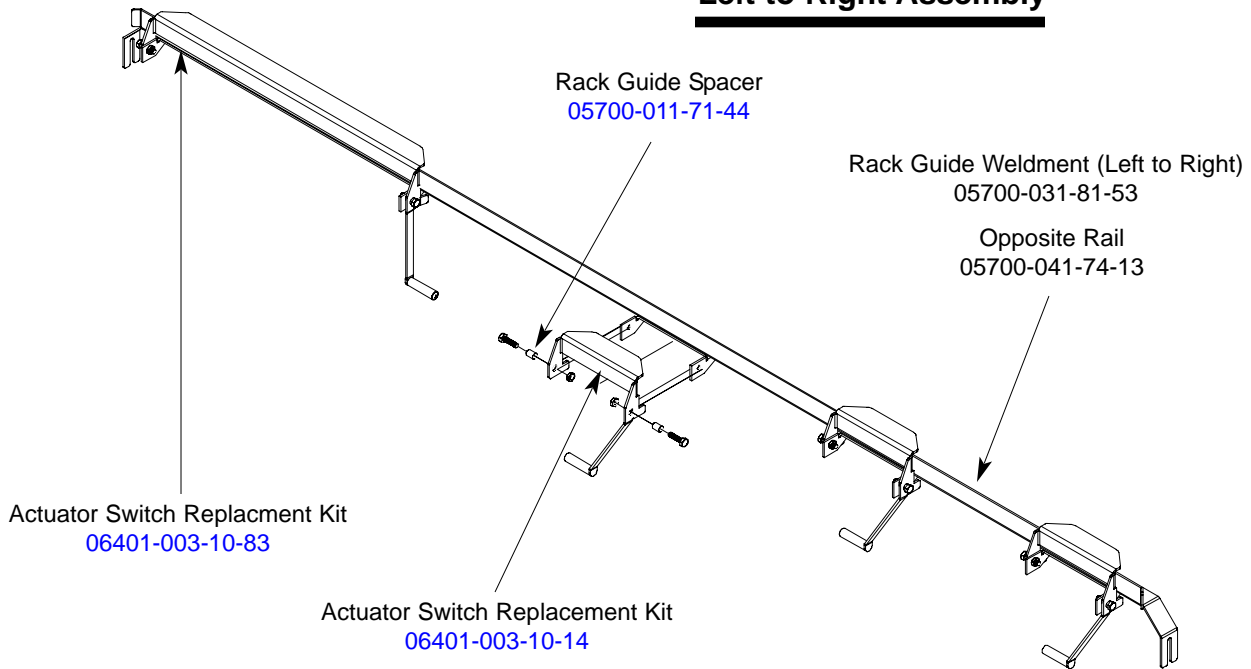
Replacement Kit Notes:

The replacement kits for the actuator switches come with the switch, two spacers and the mounting hardware.

SECTION 5: PARTS SECTION

AJ-80 RACK RAIL ASSEMBLIES

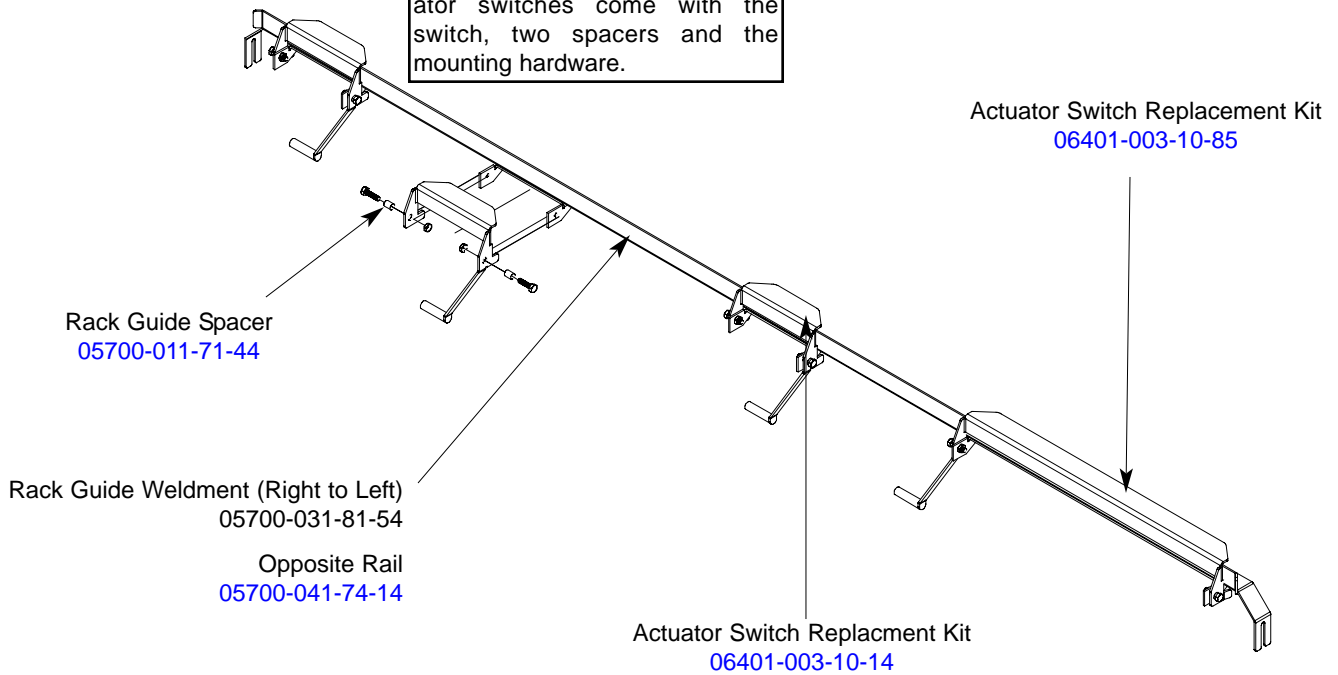
Left to Right Assembly



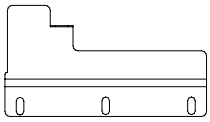
Right to Left Assembly

Replacement Kit Notes:

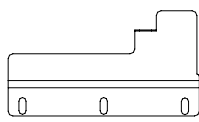
The replacement kits for the actuator switches come with the switch, two spacers and the mounting hardware.



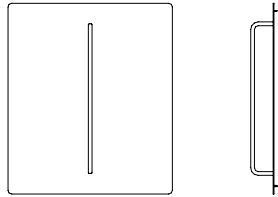
SECTION 5: PARTS SECTION
MISCELLANEOUS PARTS AND WELDMENTS



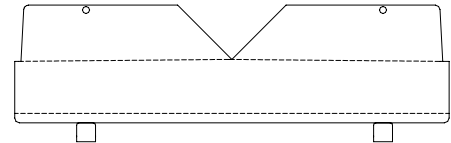
Plate, Left Water Directional
 05700-021-79-27



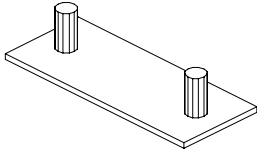
Plate, Right Water Directional
 05700-021-79-23



Run Off Sheet Weldment
 05700-021-71-39

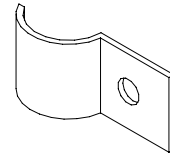


Splash Shield Weldment
 05700-031-85-16

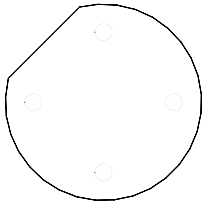


Hole Direction Plate Replacement Kit
 06401-003-10-00

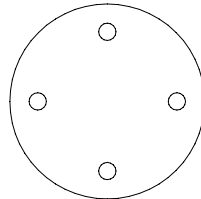
Replacement Kit Note:
 The kit for the hole direction plate comes with the plate, a new gasket and the mounting hardware.



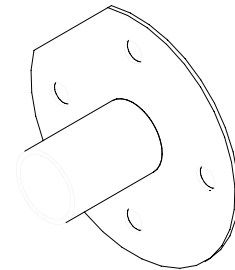
Pipe Clamp
 05700-000-35-05



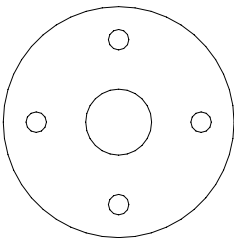
Rinse Drain Plate Replacement Kit
 (CGP Models Only)
 06401-003-10-07



Rinse Drain Plug Replacement Kit
 06401-003-10-06



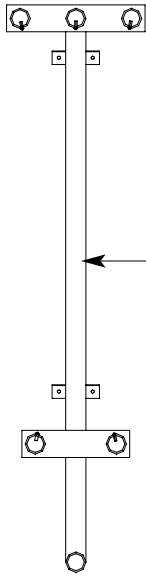
Rinse Drain Weldment Replacement Kit
 06401-003-10-05



Rinse Drain Plate Gasket
 05330-011-72-27

Replacement Kits Notes:
 The kits for the drain weldments and drain plugs come with the weldments/parts, a new gasket and the mounting hardware.

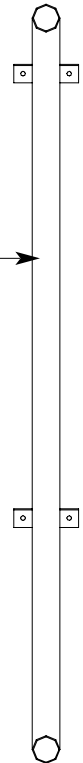
SECTION 5: PARTS SECTION
MANIFOLDS/STRAINER SUPPORT WELDMENTS



Prewash Manifold Weldment
 AJ-66 Models Only
[05700-031-69-70](#)

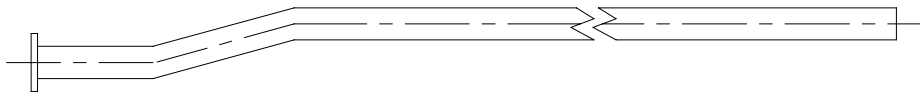
Prewash Manifold Weldment
 AJ-80 Models Only
 05700-002-24-94

Prewash Manifold Weldment
 (CGP Models Only)
 05700-002-59-51



Wash Manifold Weldment
[05700-031-71-13](#)

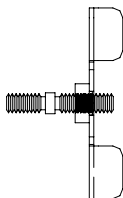
Wash Manifold Weldment
 (CGP Models Only)
 05700-002-51-14



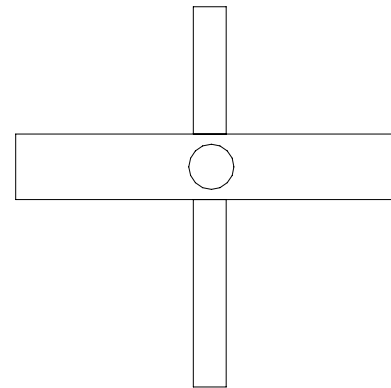
Wash Fill Tube Weldment
[05700-021-71-21](#)

Prewash Fill Tube Weldment
 (AJ-66 & AJ-80 Models Only)
[05700-021-74-76](#)

Vellumoid Gasket
[05330-111-42-81](#)

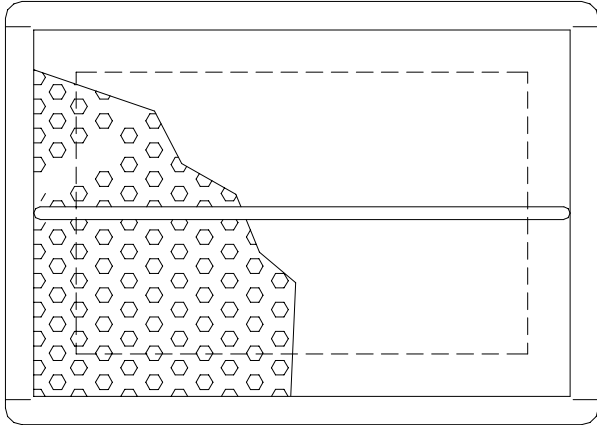


Shoulder Bolt Wingnut Weldment
[05700-002-46-02](#)

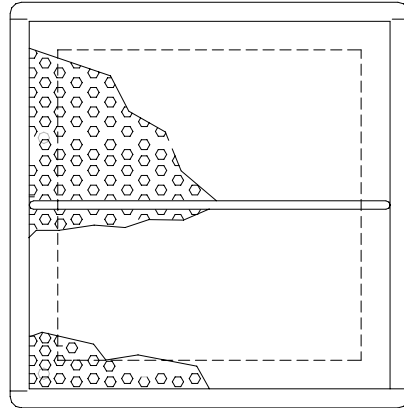


Wash Strainer Separator Weldment
 05700-031-84-38

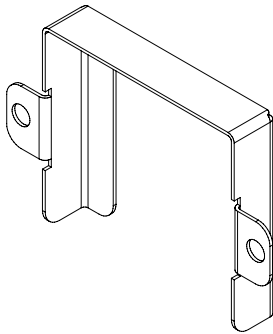
SECTION 5: PARTS SECTION
STRAINERS



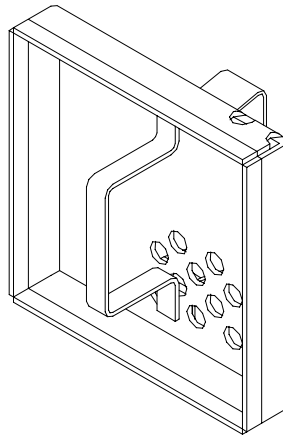
Front Strainer Weldment
05700-021-85-10



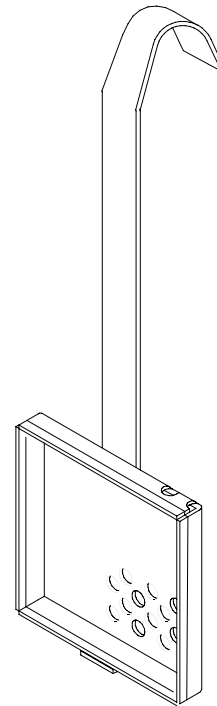
Back Strainer Weldment
05700-021-85-11



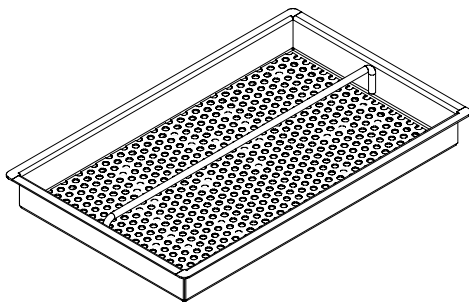
Overflow Strainer Support
05700-001-96-48



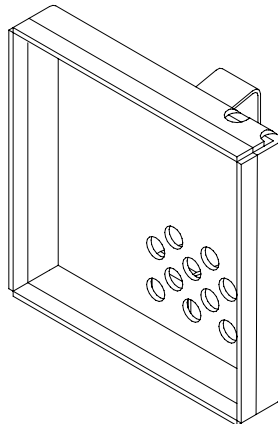
Drain Guard
Strainer Weldment
05700-002-09-15



Wash Intake Strainer Weldment (CGP Models)
05700-002-51-52

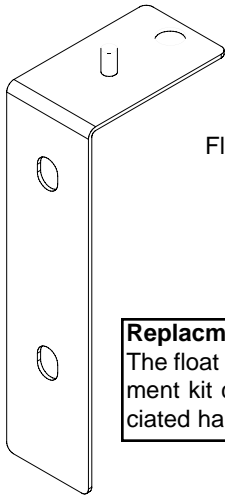


Tub Strainer Weldment (CGP Models)
05700-002-03-21



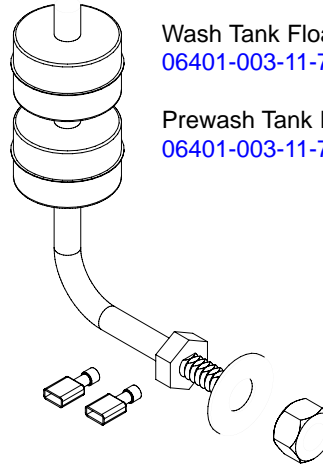
Screen Strainer
with Handle Weldment
05700-002-09-04

SECTION 5: PARTS SECTION
FLOAT SWITCH COMPONENTS/SCRAP BASKETS



Float Switch Support Bracket
 Replacement Kit
 06401-003-11-77

Replacement Kit Note:
 The float switch support bracket replacement kit contains the bracket and associated hardware for mounting.

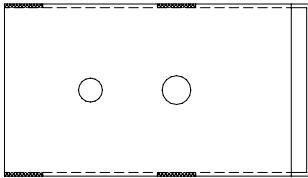


Wash Tank Float Switch Replacement Kit
 06401-003-11-75

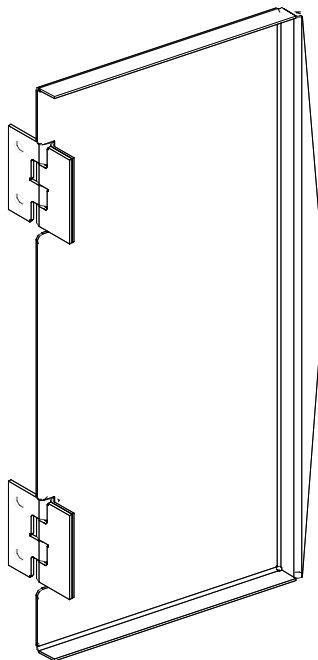
Prewash Tank Float Switch Replacement Kit
 06401-003-11-76

Replacement Kit Note:
 The float switch replacement kits contain the float switch with associated terminals, the flat washer and the nut.

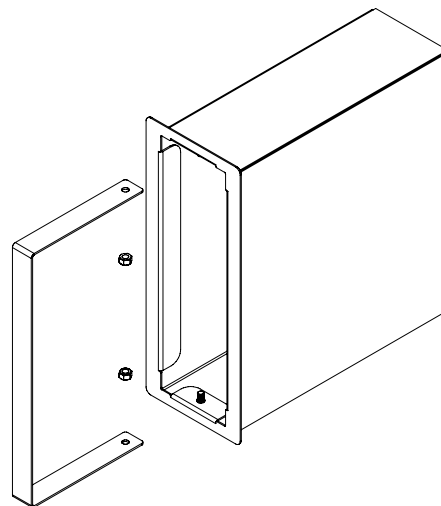
Service Agent Note:
 Remember than when reinstalling the float switch that the flat washer goes inside against the tub wall while the nut is on the outside of the tub.



Float Switch Cover
 05700-021-75-71

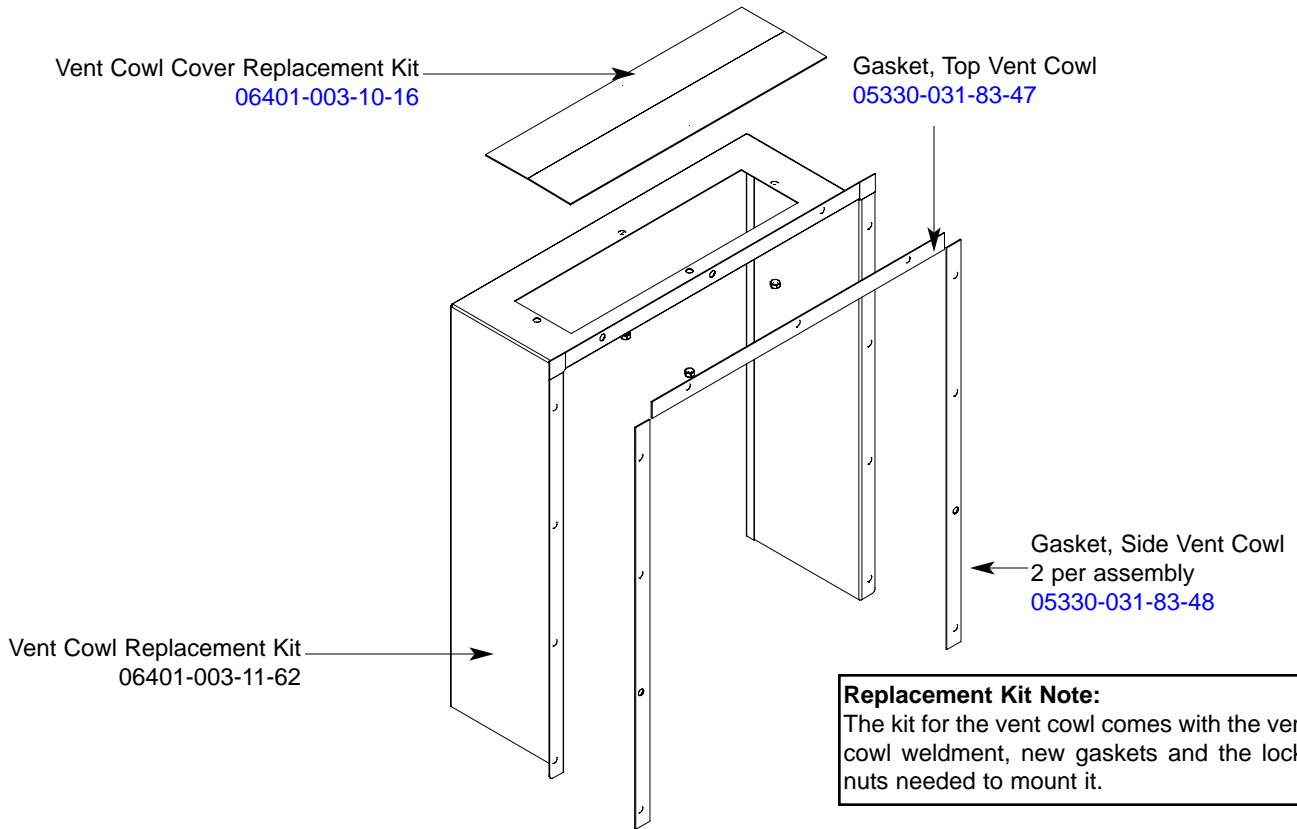


Scrap Basket Lid
 Weldment
 05700-002-56-55

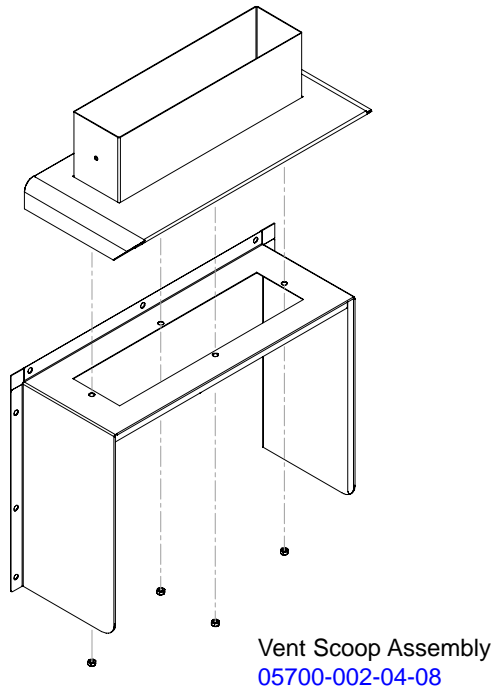


Scrap Basket Assembly
 06401-011-87-78

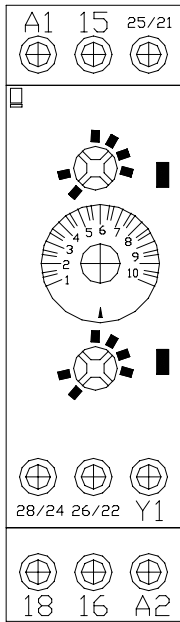
SECTION 5: PARTS SECTION
VENT COWL ASSEMBLY/VENT SCOOP OPTION



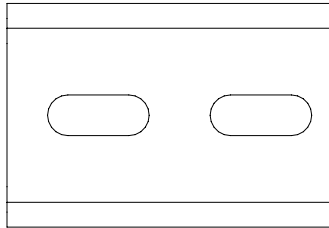
VENT SCOOP OPTION



SECTION 5: PARTS SECTION
EXHAUST FAN CONTROL/TABLE LIMIT SWITCH



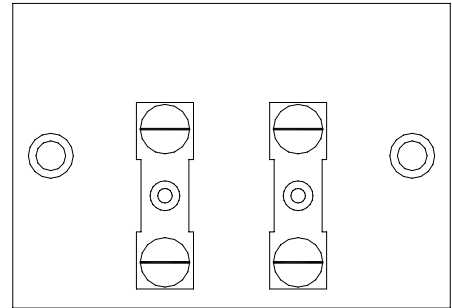
Delay Timer
[05945-011-65-44](#)



2" Din Rail
[05700-002-36-09](#)

**FAN LOAD ON TIMER OUTPUT
 5A, 1/4HP, 240 V AC MAX**

Decal, Fan Load
[09905-003-32-20](#)

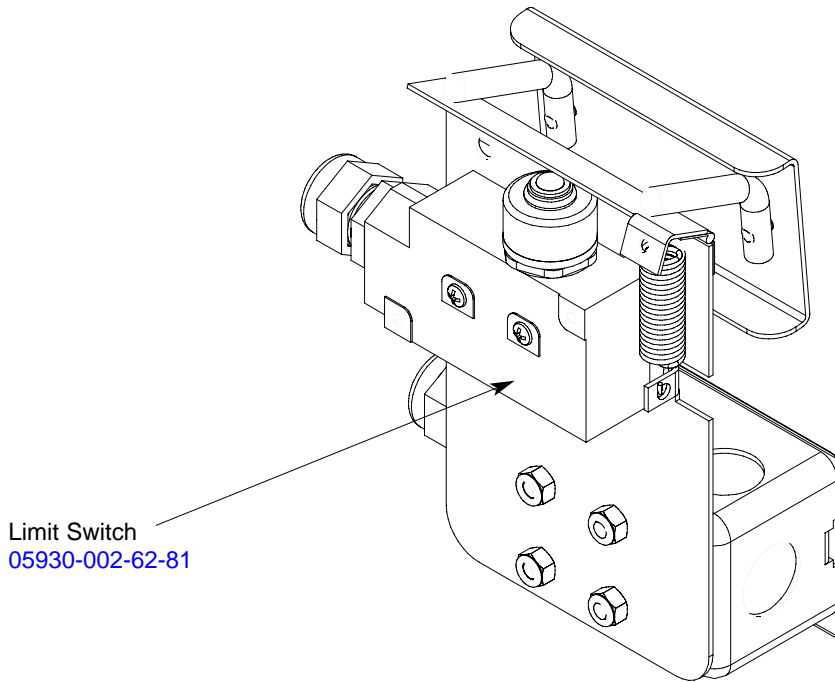


Terminal Board
[05940-011-84-41](#)

Kit, Exhaust Fan - Electric & Steam Models
[05700-031-90-53](#)

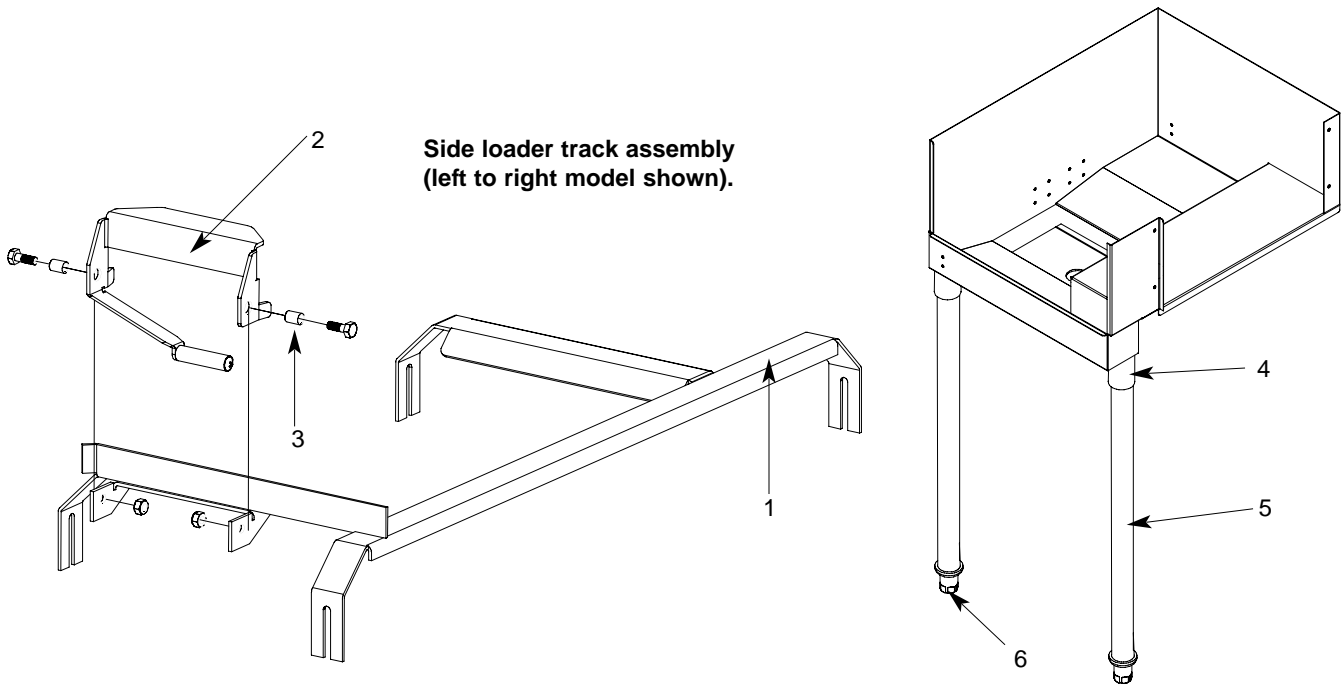
Kit, Exhaust Fan - Gas Models
[05700-003-14-59](#)

Striker Plate Limit Switch Assembly
[05700-002-62-94](#)



Limit Switch
[05930-002-62-81](#)

SECTION 5: PARTS SECTION
SIDE LOADER TRACK ASSEMBLY/LEG REPLACEMENTS/STRAINER



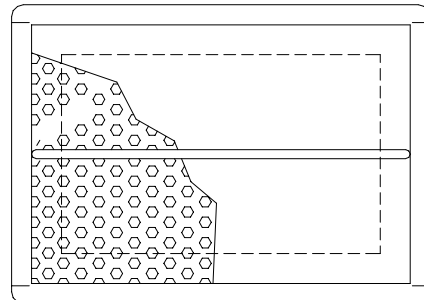
ITEM	QTY	DESCRIPTION	Mfg. No.
1	1	Track Weldment (Left to Right) 24"	05700-031-78-98
	1	Track Weldment (Right to Left) 24"	05700-031-95-20
	1	Track Weldment (Left to Right) 30"	05700-003-04-57
	1	Track Weldment (Right to Left) 30"	05700-003-04-58
2	1	Actuator Switch Replacement Kit	06401-003-10-64
3	2	Spacer	05700-011-71-44
4	1	Leg Socket Replacement Kit	06401-003-09-79
5	1	Leg Support Replacement Kit	06401-003-09-80
6	1	Bullet Foot	05340-108-01-03

Replacement Kits Notes:

The actuator switch replacement kit comes with the actuator weldment, mounting hardware and (2) spacers.

The leg socket replacement kit has the leg socket, mounting hardware and set screw.

The leg support replacement kit has the leg and the bullet foot included.

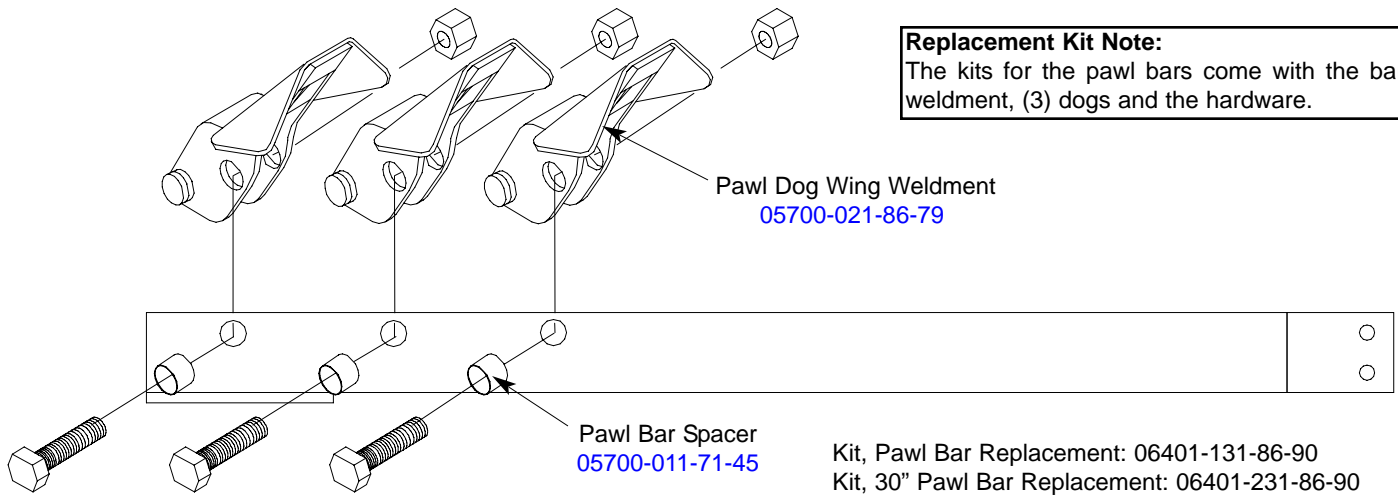


Front Strainer Weldment
05700-021-85-10

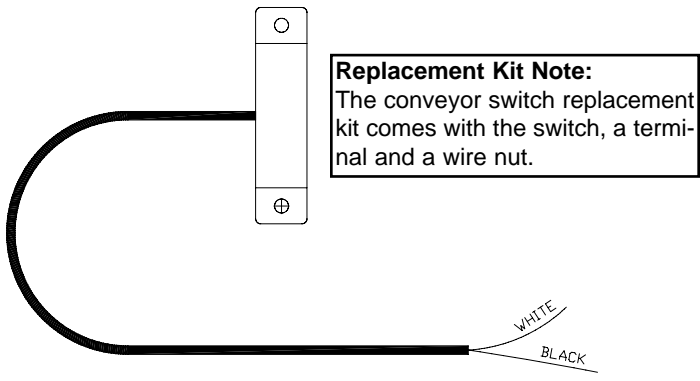
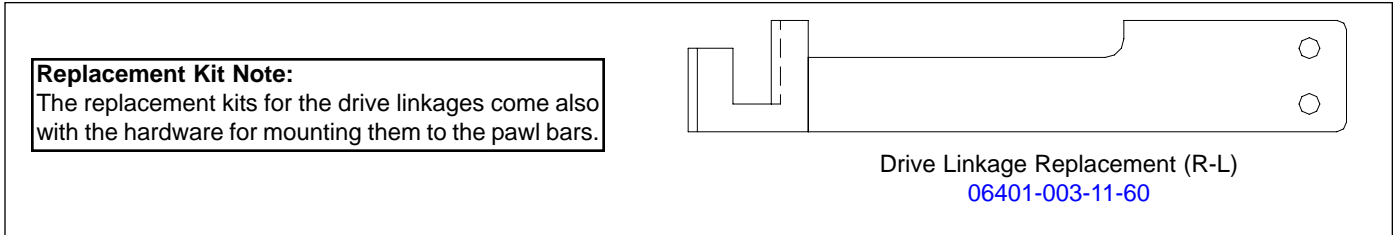
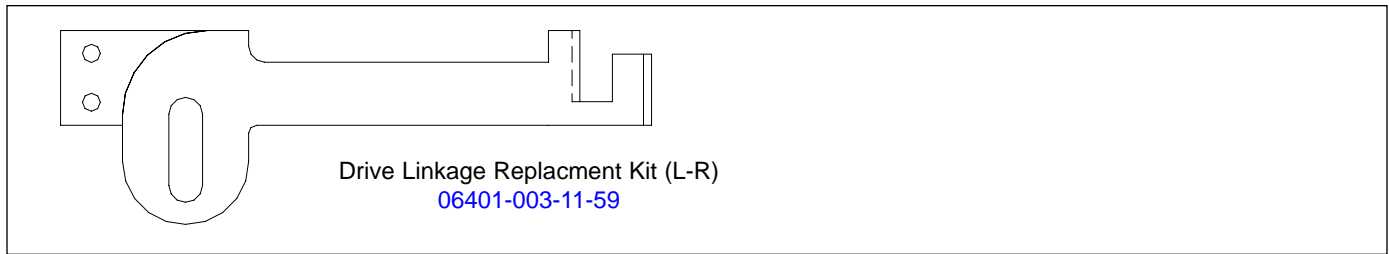
SECTION 5: PARTS SECTION

SIDE LOADER PAWL BAR ASSEMBLIES/PAWL BAR BRACKET/MAGNET

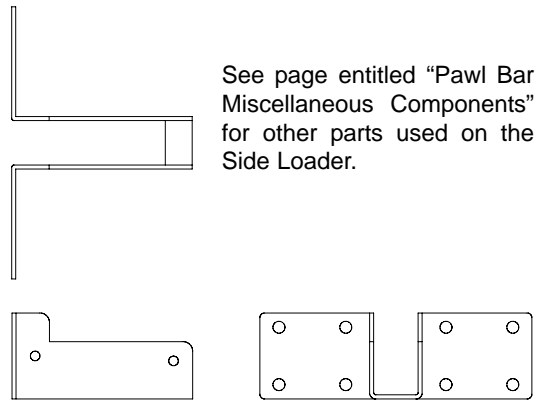
Replacement Kit Note:
The kits for the pawl bars come with the bar weldment, (3) dogs and the hardware.



Kit, Pawl Bar Replacement: 06401-131-86-90
Kit, 30" Pawl Bar Replacement: 06401-231-86-90



Service Note:
The cord for the conveyor switch needs to be cut to length in the field and have the pink terminal applied there.

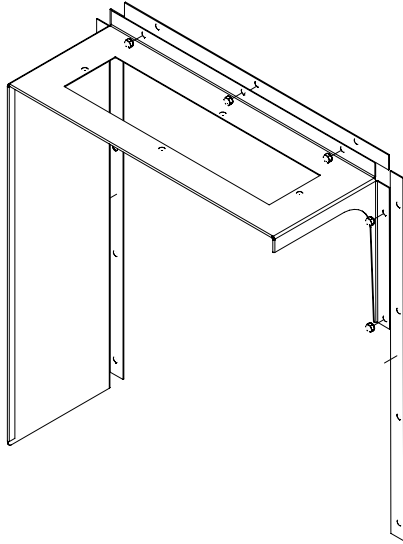


Pawl Bar Roller Bracket
05700-031-77-94

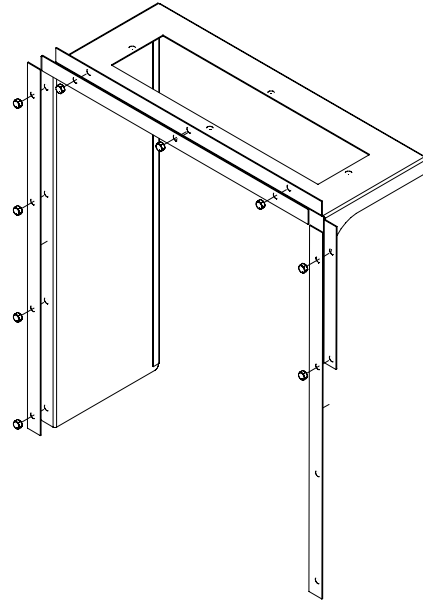
SECTION 5: PARTS SECTION
SIDE LOADER VENT COWL OPTION

Service Note:
 One of the side gaskets that come in the kit will need to be cut to length in order to fit properly on the unit when replaced.

Vent Cowl Replacement Kit (Left to Right)
 06401-003-11-81



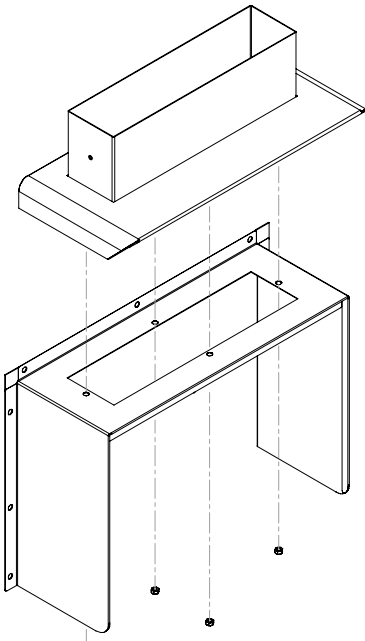
Vent Cowl Replacement Kit (Right to Left)
 06401-003-11-83



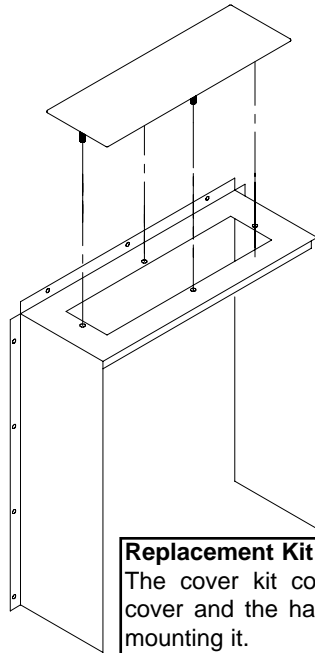
Replacement Kit Note:
 The replacement kit(s) for the vent cowls come with the cowls, the gaskets and mounting hardware.

Vent Cowl Gasket, Top: [05330-031-83-47](#)
 Vent Cowl Gasket, Sides: [05330-031-83-48](#)

VENT SCOOP OPTION
 Vent Scoop Assembly
[05700-002-04-08](#)

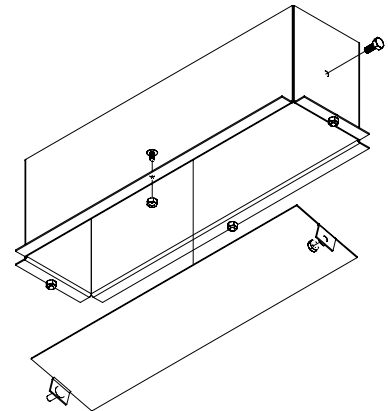


STANDARD ASSEMBLY
 Vent Cowl Cover Replacement Kit
[06401-003-10-16](#)



Replacement Kit Note:
 The cover kit contains the cover and the hardware for mounting it.

Vent Cowl Assembly for Hooded Side Loader Option
[05700-003-15-66](#)



SECTION 5: PARTS SECTION
D226 STEAM BOOSTER CONTROL BOX ASSEMBLY

Decal, Schematic, D226 Booster (on the inside of the control box cover) 09905-002-78-56

Decal, Warning, Disconnect Power 09905-100-75-93

Replacement Kit Note:
 The kit for the terminal block replacement includes the block, the spacer and the locknut.

Control Box Cover Replacement Kit 06401-003-11-63

Replacement Kit Note:
 The kit for the control box cover comes with the decals and the screws for securing the cover.

Terminal Block Replacement Kit 06401-003-11-78

Decal, L1-L2 09905-002-78-67

Ground Lug 05940-200-76-00

Spacer, Terminal Block

Decal, Ground 09905-011-86-86

Thermostat 06680-500-01-77

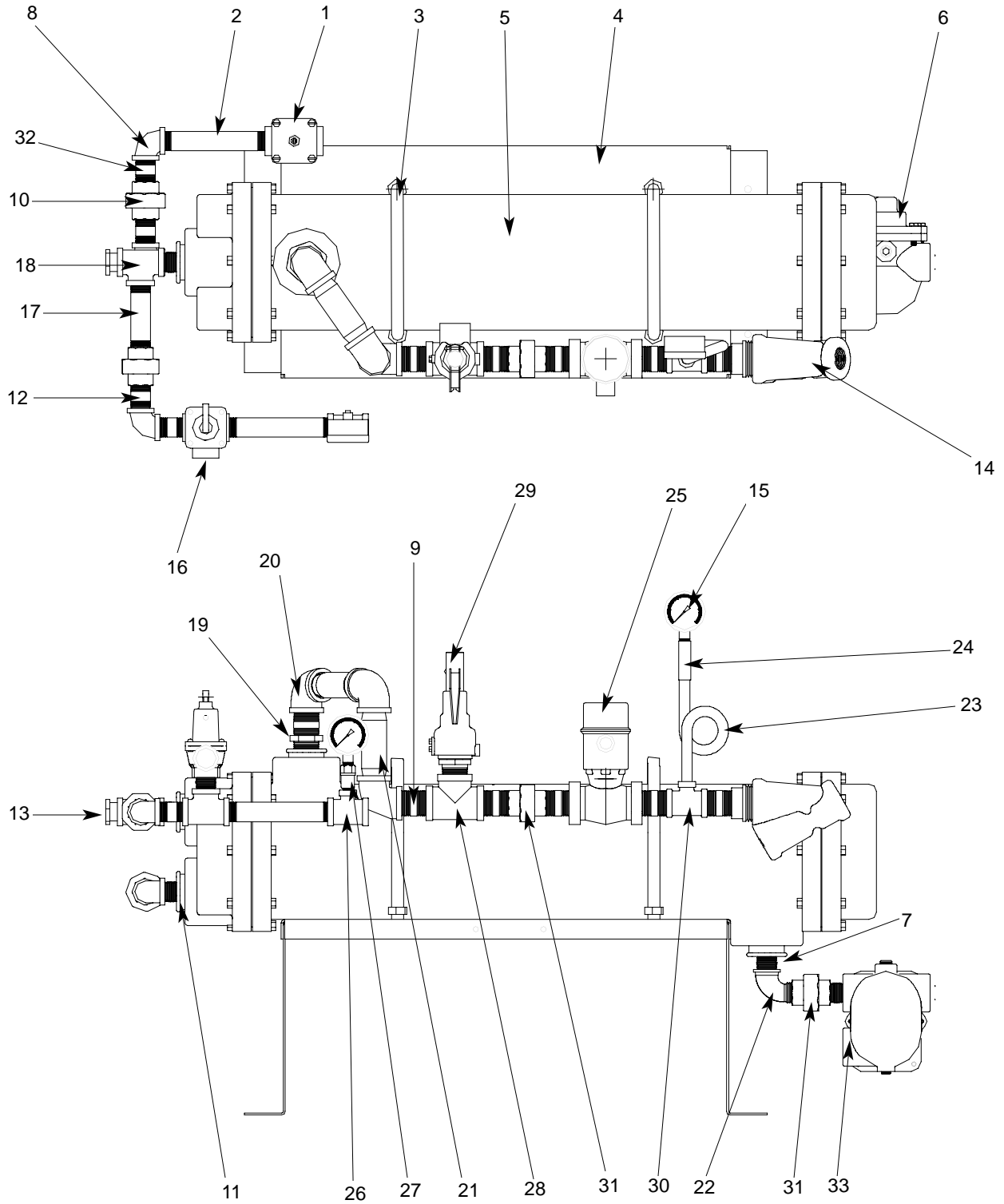
Light, Red 05945-111-21-57

Conduit Fitting, .231" x.394" 05975-011-49-03

Power Switch 05930-011-49-55

Control Box with Decal 06401-002-78-87

SECTION 5: PARTS SECTION
D226 STEAM BOOSTER PLUMBING ASSEMBLY



SECTION 5: PARTS SECTION

D226 STEAM BOOSTER PLUMBING ASSEMBLY (CONTINUED)

ITEM	QTY	DESCRIPTION	Mfg. No.
1	1	Water Pressure Regulator, 3/4"	04820-100-01-06
2	2	Nipple, Brass, 3/4" NPT x 6" Long	05700-001-26-74
3	2	U-Bolt, 6", 5/8"-11 Thread	05306-458-01-04
4	1	Platform Weldment	05700-002-78-02
5	1	Heat Exchanger	04420-100-01-05
6	1	Steam Trap, 3/4"	06680-500-02-77
7	1	Bushing, 2" NPT x 3/4" NPT, Black Iron	04730-902-06-34
8	2	Elbow, 3/4" NPT, Brass	04730-206-13-00
9	6	Nipple, 1" NPT, Close, Black Iron	04730-907-08-34
10	2	Union, 3/4" NPT, Brass	04730-212-05-00
11	2	Bushing, 2" NPT x 3/4" NPT, Brass	04730-202-18-00
12	4	Nipple, 3/4" NPT x 1-3/8" Long	04730-207-34-00
13	1	Bushing, Hex 3/4" M x 1/2" F, Brass	04730-002-56-27
14	1	Y-Strainer, 1" NPT, Black Iron	04730-217-02-32
15	2	Pressure Gauge	06685-111-88-34
16	1	Steam Relief Valve	04820-100-07-06
17	2	Nipple, 3/4" NPT x 4" Long, Brass	04730-207-05-00
18	2	Tee, 3/4" NPT x 3/4" NPT x 3/4" NPT, Brass	04730-211-01-34
19	1	Bushing, 2" NPT x 1" NPT, Black Iron	04730-002-94-51
20	3	Elbow, 90°, 1" NPT, Black Iron	04730-906-03-34
21	2	Nipple, 1" NPT x 4" Long, Black Iron	04730-907-09-34
22	1	Elbow, 90°, Street, 3/4" NPT, Black Iron	04730-011-87-37
23	1	Nipple, Pigtail, 1/4" NPT	04730-907-14-34
24	1	Coupling, 1/4" NPT x 1/4" NPT	04730-904-01-34
25	1	Steam Solenoid Valve, 240VA	04820-100-29-34
25	1	Steam Solenoid Valve, 200VA	04820-002-93-66
25	1	Steam Solenoid Valve (ASCO)	04820-002-90-26
26	1	Tee, 3/4" NPT x 3/4" NPT x 1/4" NPT, Brass	04730-211-04-00
27	1	Valve, Test Cock, 1/4" NPT	04810-011-72-67
28	1	Tee, 1" NPT x 1" NPT x 1" NPT, Black Iron	04730-911-01-34
29	1	Valve, Safety Relief 1" NPT	04820-100-01-35
30	1	Tee, 1" NPT x 1" NPT x 1/4" NPT, Black Iron	04730-911-01-00
31	2	Union, 3/4" NPT, Black Iron	04730-912-01-00
32	2	Nipple, 3/4" NPT x 2" Long, Brass	04730-207-46-00
33	2	Nipple, 3/4" NPT, Close, Black Iron	04730-907-01-00

SECTION 5: PARTS SECTION

GO*BOX COMPONENTS

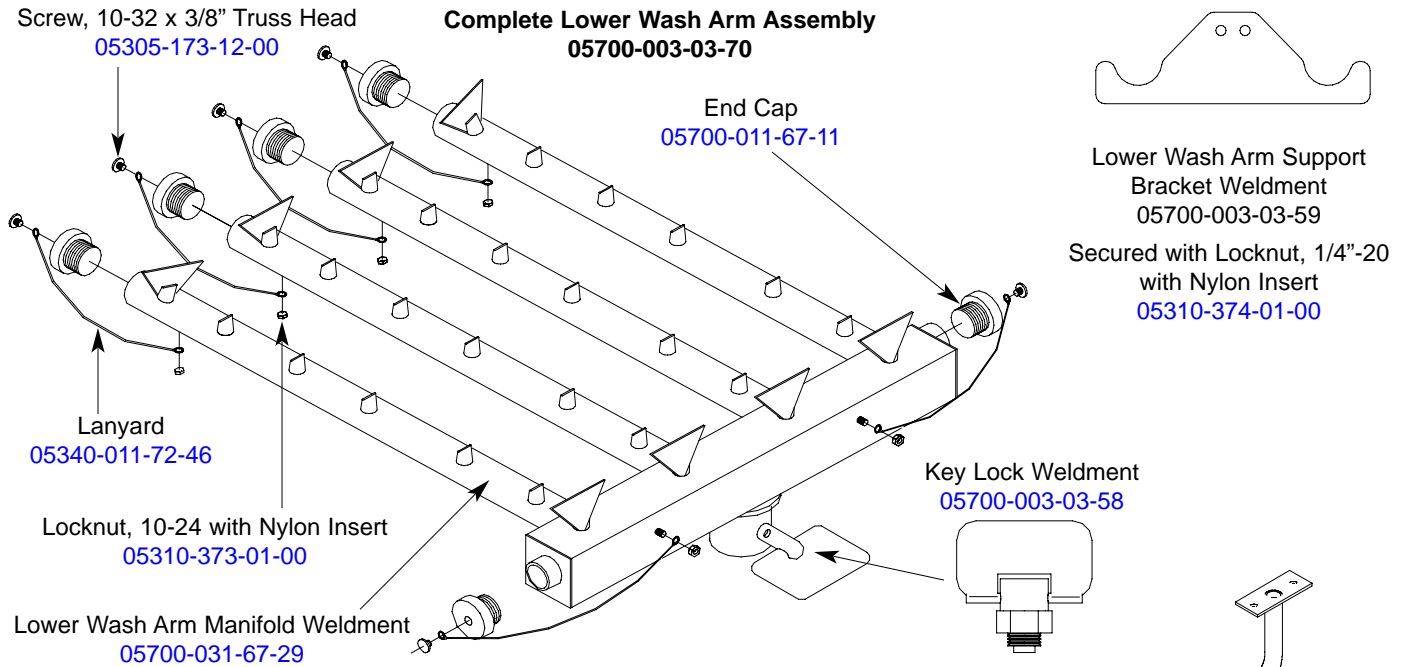
A GO*BOX is a kit of the most needed parts for a particular model or model family to successfully effect a repair in the first call 90% or more of the time.

The following components may be ordered together using part number [06401-002-14-99](#).

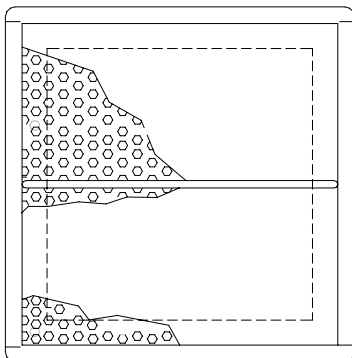
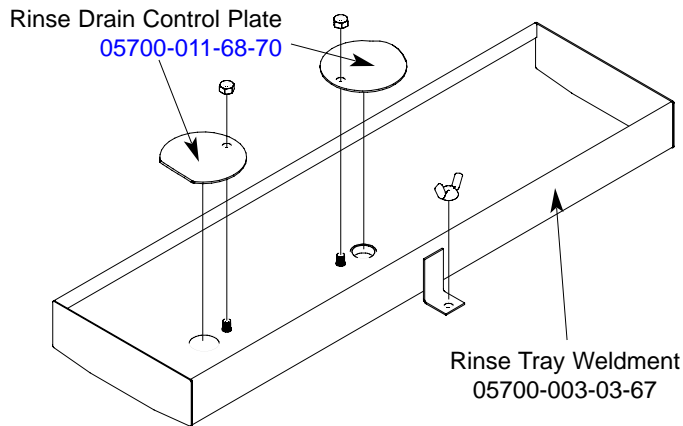
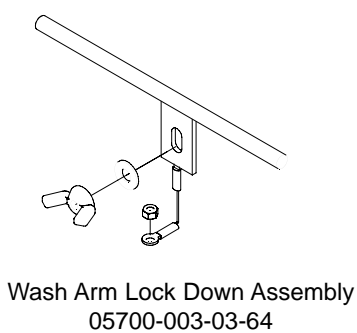
QTY	DESCRIPTION	Mfg. No.
1	Drive Motor Contactor	05945-111-68-38
1	Contactora, Wash Heater, 3 ph, 3 pole	05945-002-24-70
1	Contactora, Wash Heater, 1 ph, 4 pole	05945-111-68-37
2	Final Rinse Arm End Cap	05700-011-35-92
1	Float Switch, Dual, Wash & Prewash	06680-121-70-71
1	Gasket, Pawl Bar Gutter	05330-011-68-55
1	Gauge, Pressure	06685-111-88-34
6	Glide, Door Edge	05700-111-70-92
2	Magnet, Door Reed Switch	05930-111-51-68
2	O Ring, Prewash Manifold	05330-400-12-08
2	O Ring, Wash Manifold	05330-011-74-56
1	Overload, Drive Motor	05945-111-68-39
1	Overload, Wash Motor	05945-111-68-40
1	Relay,120v, 3 PDT	05945-111-72-51
1	Relay,120v,50/60Hz 3A Control	05945-111-35-19
1	Repair Kit, 3/4" Vacuum Breaker	04820-001-60-57
4	Roller, Pawl Bar	05700-011-68-16
1	Seal Kit for Wash and Prewash pump	05330-011-71-98
2	Solenoid Valve, Fill & Rinse	04810-100-53-00
2	Switch, Power	05930-011-49-55
2	Switch, Reed, Actuator (NC)	05930-111-68-44
1	Switch, Reed, Door (NO)	05930-111-68-86
1	Thermometer, 48" Capillary	06685-111-68-48
1	Thermometer, 96" Capillary	06685-111-68-49
2	Thermostat, Wash High Limit	05930-121-71-36
2	Thermostat, Wash Regulating	05930-121-67-72
1	Transformer,150VA	05950-011-68-35
1	Valve, Ball 1 1/2" NPT	04820-111-71-46

SECTION 5: PARTS SECTION

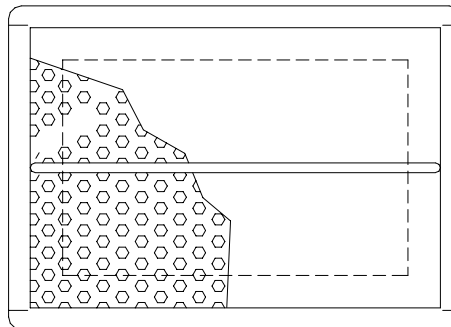
BC FERRIES OPTIONS



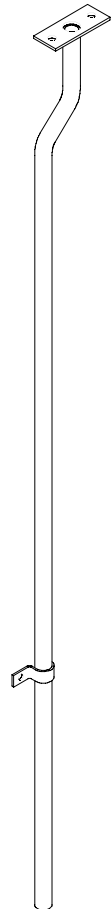
SERVICE NOTE: When replacing the 10-32 screws in the End Caps, it is recommended that a thread locking fluid be used to ensure that the screws do not back out during normal operation.



Back Strainer Weldment
05700-003-03-55



Front Strainer Weldment
05700-003-03-56



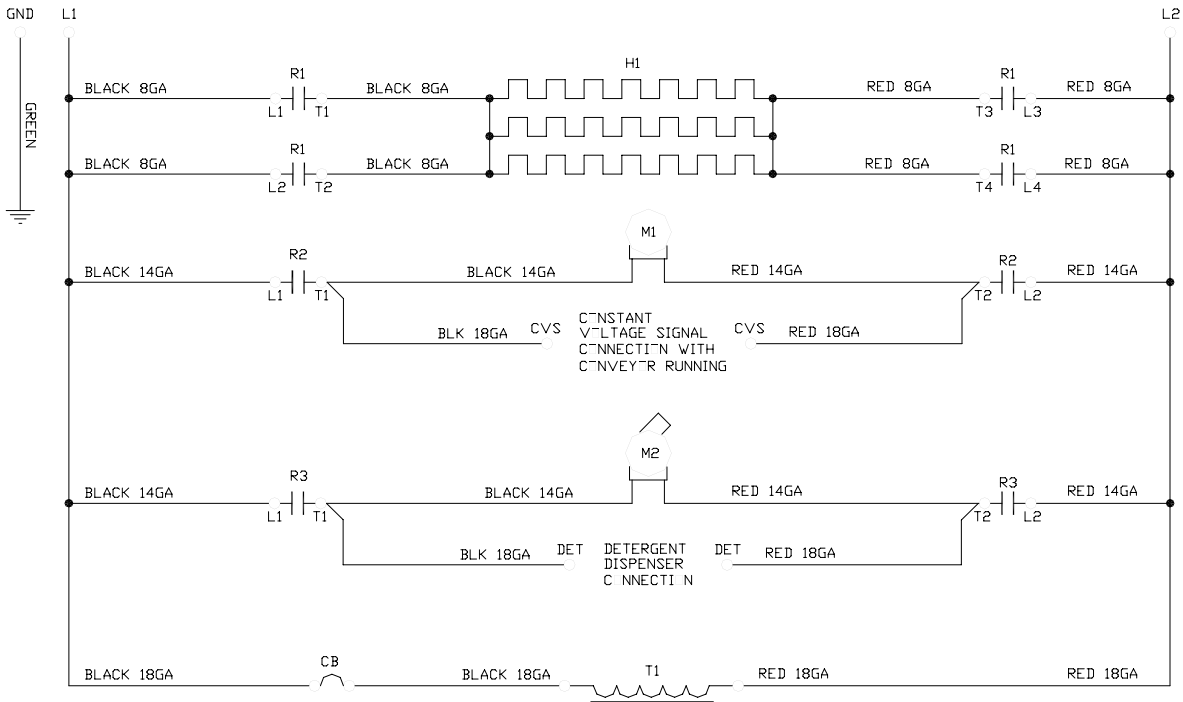
Wash Fill Tube Weldment
05700-003-03-69

Gasket
05330-111-42-81

SECTION 6: ELECTRICAL SCHEMATICS

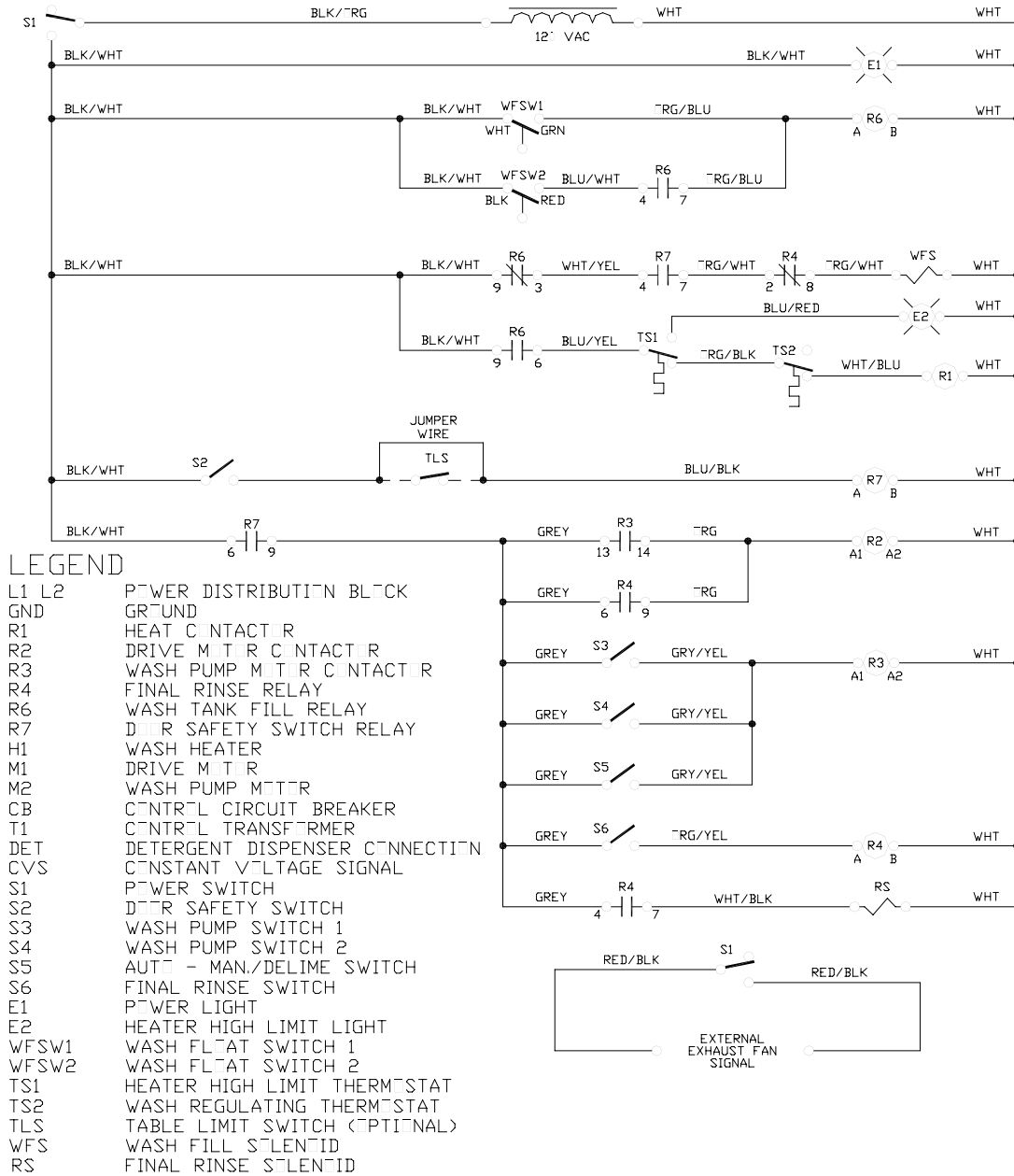
SECTION 6: ELECTRICAL SCHEMATICS

AJ-44CE/CEL (200-208-220-230 VOLTS/50-60HZ/1 PHASE) PRIMARY SIDE



SECTION 6: ELECTRICAL SCHEMATICS

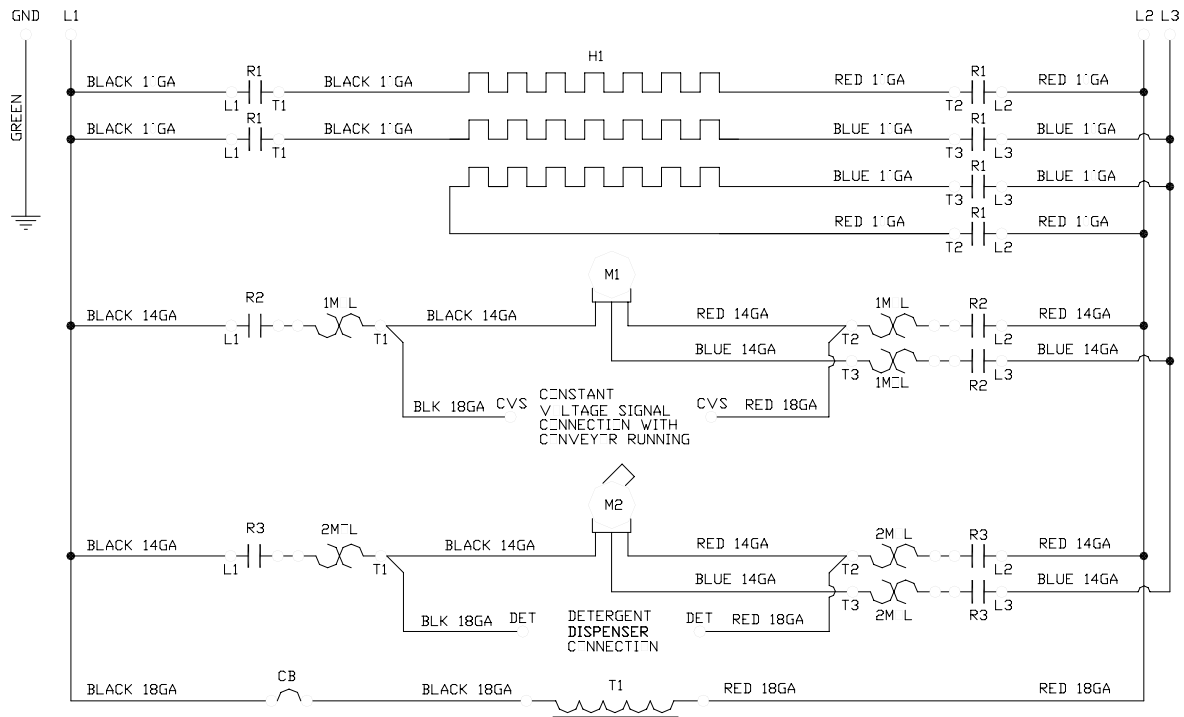
AJ-44CE/CEL (200-208-220-230 VOLTS/50-60HZ/1 PHASE) SECONDARY SIDE



99°5-131-72-94.1

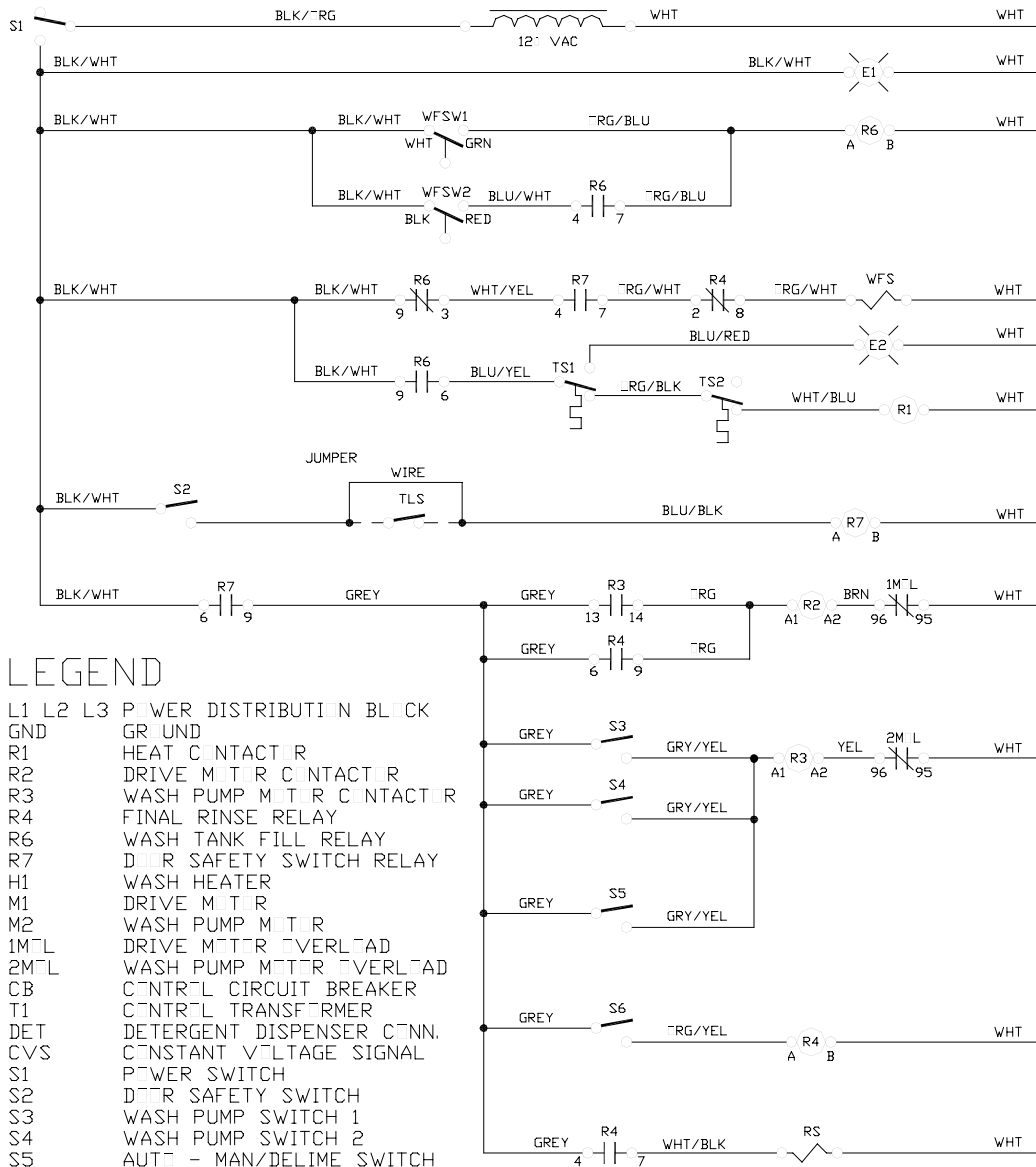
SECTION 6: ELECTRICAL SCHEMATICS

AJ-44CE/CEL (200-208-220-230 VOLTS/50-60HZ/3 PHASE) PRIMARY SIDE



SECTION 6: ELECTRICAL SCHEMATICS

AJ-44CE/CEL (200-208-220-230 VOLTS/50-60HZ/3 PHASE) SECONDARY SIDE

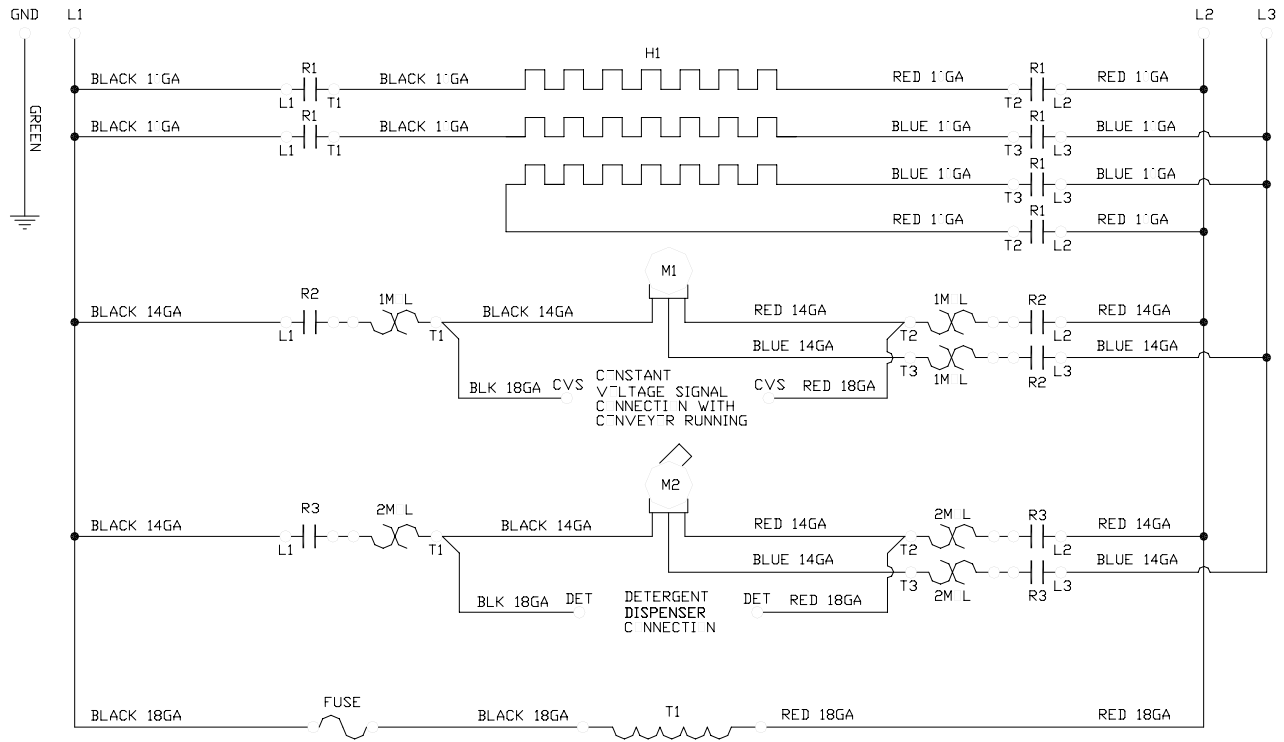


LEGEND

L1 L2 L3	P W E R D I S T R I B U T I O N B L O C K
GND	G R O U N D
R1	H E A T C O N T A C T O R
R2	D R I V E M O T O R C O N T A C T O R
R3	W A S H P U M P M O T O R C O N T A C T O R
R4	F I N A L R I N S E R E L A Y
R6	W A S H T A N K F I L L R E L A Y
R7	D O O R S A F E T Y S W I T C H R E L A Y
H1	W A S H H E A T E R
M1	D R I V E M O T O R
M2	W A S H P U M P M O T O R
1M L	D R I V E M O T O R O V E R L O A D
2M L	W A S H P U M P M O T O R O V E R L O A D
CB	C O N T R O L C I R C U I T B R E A K E R
T1	C O N T R O L T R A N S F O R M E R
DET	D E T E R G E N T D I S P E N S E R C O N T A C T
CVS	C O N S T A N T V O L T A G E S I G N A L
S1	P O W E R S W I T C H
S2	D O O R S A F E T Y S W I T C H
S3	W A S H P U M P S W I T C H 1
S4	W A S H P U M P S W I T C H 2
S5	A U T O - M A N / D E L I M E S W I T C H
S6	F I N A L R I N S E S W I T C H
E1	P O W E R L I G H T
E2	H E A T E R H I G H L I M I T L I G H T
WFSW1	W A S H F L O A T S W I T C H 1
WFSW2	W A S H F L O A T S W I T C H 2
TS1	H E A T E R H I G H L I M I T T H E R M I S T A T
TS2	W A S H R E G U L A T I N G T H E R M I S T A T
TLS	T A B L E L I M I T S W I T C H (O P T I O N A L)
WFS	W A S H F I L L S T E N D I D
RS	F I N A L R I N S E S T E N D I D

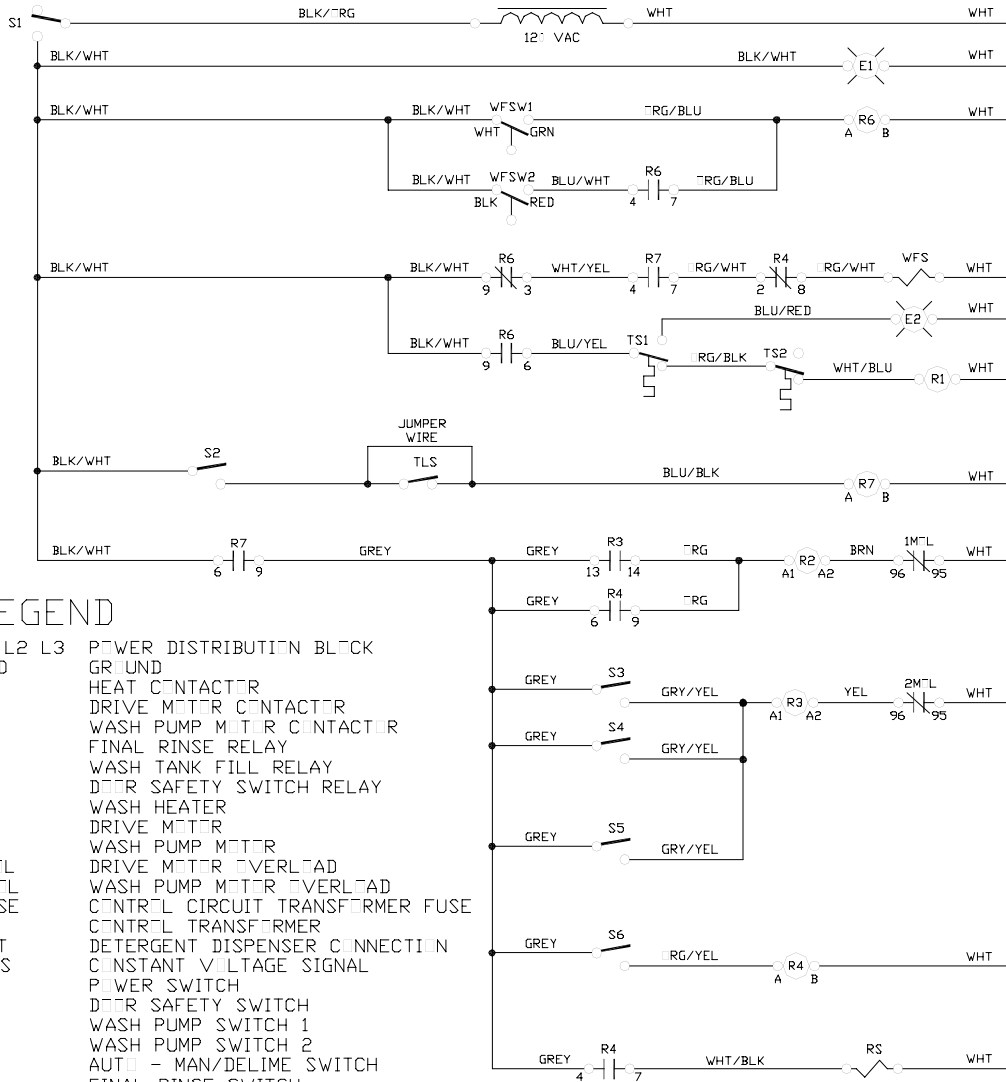
99*5-031-70-79

SECTION 6: ELECTRICAL SCHEMATICS
AJ-44CE/CEL (380-460-600 VOLTS/60 HZ/3 PHASE) PRIMARY SIDE



SECTION 6: ELECTRICAL SCHEMATICS

AJ-44CE/CEL (380-460-600 VOLTS/60 HZ/3 PHASE) SECONDARY SIDE



LEGEND

L1 L2 L3	POWER DISTRIBUTION BLOCK
GND	GR UND
R1	HEAT CONTACTOR
R2	DRIVE MOTOR CONTACTOR
R3	WASH PUMP MOTOR CONTACTOR
R4	FINAL RINSE RELAY
R6	WASH TANK FILL RELAY
R7	DRY SAFETY SWITCH RELAY
H1	WASH HEATER
M1	DRIVE MOTOR
M2	WASH PUMP MOTOR
1M ^{TL}	DRIVE MOTOR OVERLOAD
2M ^{TL}	WASH PUMP MOTOR OVERLOAD
FUSE	CONTROL CIRCUIT TRANSFORMER FUSE
T1	CONTROL TRANSFORMER
DET	DETERGENT DISPENSER CONNECTION
CVS	CONSTANT VOLTAGE SIGNAL
S1	POWER SWITCH
S2	DRY SAFETY SWITCH
S3	WASH PUMP SWITCH 1
S4	WASH PUMP SWITCH 2
S5	AUTO - MAN/DELIME SWITCH
S6	FINAL RINSE SWITCH
E1	POWER LIGHT
E2	HEATER HIGH LIMIT LIGHT
WFSW1	WASH FLAT SWITCH 1
WFSW2	WASH FLAT SWITCH 2
TS1	HEATER HIGH LIMIT THERMISTAT
TS2	WASH REGULATING THERMISTAT
TLS	TABLE LIMIT SWITCH (OPTI NAL)
WFS	WASH FILL SILEN ID
RS	FINAL RINSE SILEN ID

99 5-031-72-9

SECTION 6: ELECTRICAL SCHEMATICS
AJ-44CE/CEL (380-415 VOLTS/50 HZ/3 PHASE) PRIMARY SIDE

