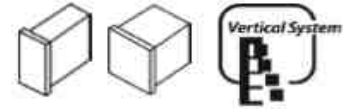


440 / 500 / 880 / 1000



SPIKA MS

ITV |
ICE makers



DESPIECE / REPUESTOS
EXPLODED VIEW / SPARE PARTS
EXPLOSIONSZEICHNUNG / ERSATZTEILE
VUE ÉCLATÉE / PIÈCES DÉTACHÉES
ESPLOSO / RICAMBI

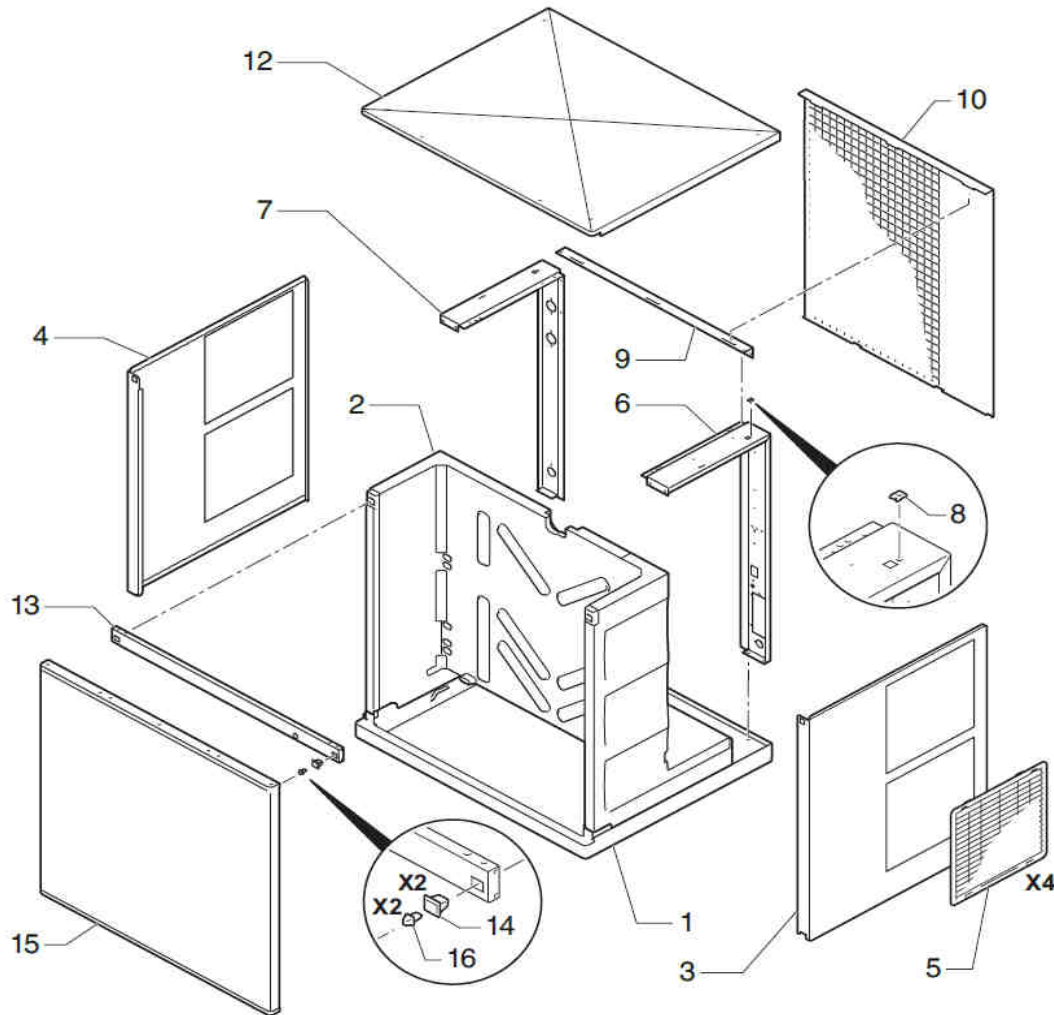
ITV | **ICE** makers **SERVICE** 

CABINET

440 / 500 / 880 / 1000



SPIKA MS



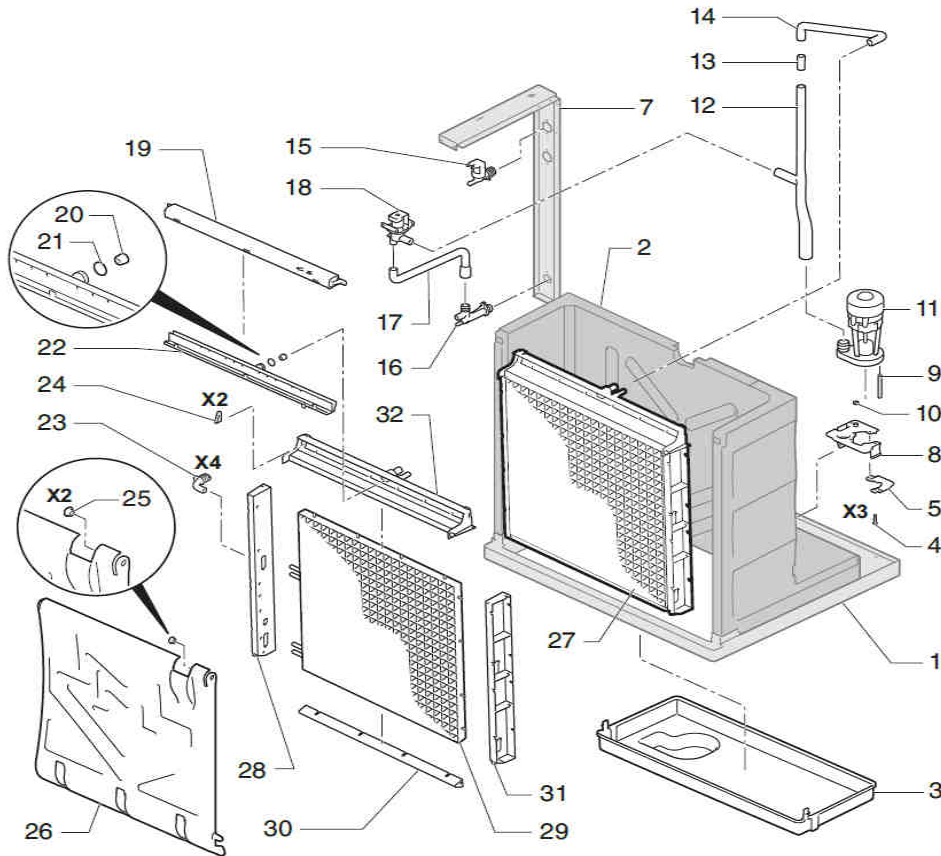
| | DESCRIPTION | MODEL | | | |
|----|--------------------|--------|--------|--------|---------|
| | | MS 440 | MS 500 | MS 880 | MS 1000 |
| 1 | BASE PLAT | 6074 | 6074 | 6074 | 6074 |
| 2 | INSULATED BODY | 6342 | 6342 | 6343 | 6343 |
| 3 | RIGHT SIDE PANEL | 6327 | 6327 | 6329 | 6329 |
| 4 | LEFT SIDE PANEL | 6328 | 6328 | 6330 | 6330 |
| 5 | SIDE GUARD | 6084 | 6084 | 6084 | 6084 |
| 6 | RIGHT BRACKET | 6319 | 6319 | 6320 | 6320 |
| 7 | LEFT BRACKET | 6325 | 6325 | 6324 | 6324 |
| 8 | FAST NUT | 311 | 311 | 311 | 311 |
| 9 | UPPER REAR BRACKET | 6321 | 6321 | 6321 | 6321 |
| 10 | REAR PANEL | 6315 | 6315 | 6316 | 6316 |
| 12 | TOP PANEL | 6073 | 6073 | 6073 | 6073 |
| 13 | FRONT BRACKET | 6331 | 6331 | 6331 | 6331 |
| 14 | FEMALE PANEL CLIP | 6180 | 6180 | 6180 | 6180 |
| 15 | FRONT PANEL | 6269 | 6269 | 6270 | 6270 |
| 16 | MALE PANEL CLIP | 6181 | 6181 | 6181 | 6181 |

MANUFACTURING CONTAINER

440 / 500 / 880 / 1000



SPIKA MS



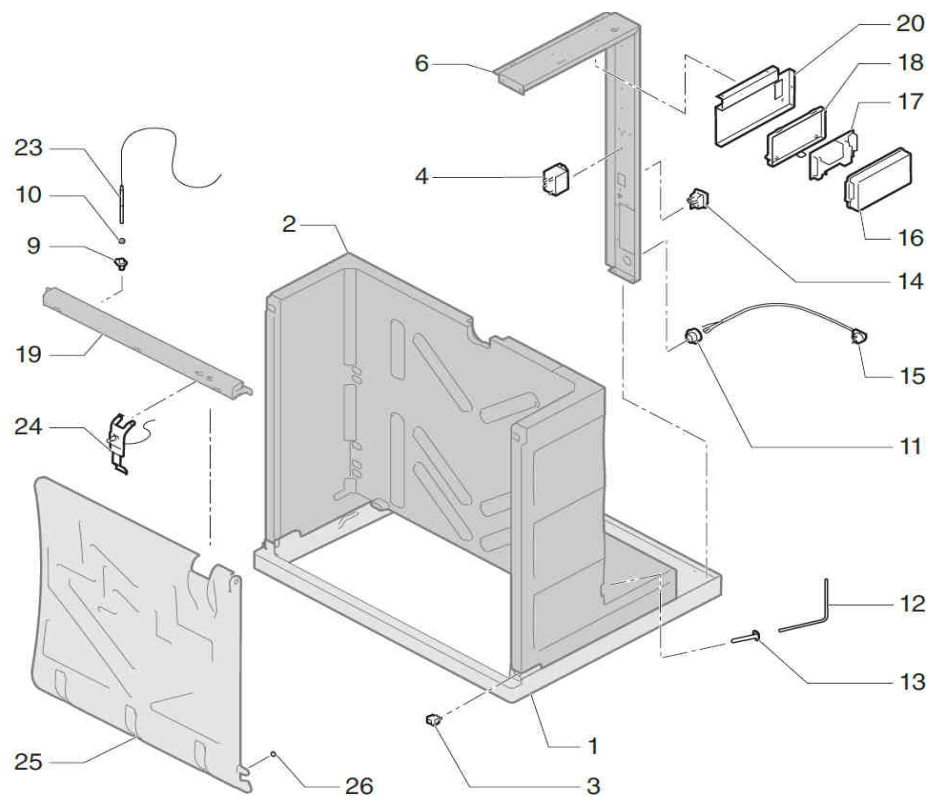
| | DESCRIPTION | MODEL | | | | |
|----|------------------------------------|---------------------------|--------|---------|---------|---|
| | | MS 440 | MS 500 | MS 880 | MS 1000 | |
| 1 | BASE PLATE | 6074 | 6074 | 6074 | 6074 | |
| 2 | INSUALTED BODY | 6342 | 6342 | 6343 | 6343 | |
| 3 | WATER BIN | 6078 | 6078 | 6078 | 6078 | |
| 4 | INOX SCREW M5x20 | 7931 | 7931 | 7931 | 7931 | |
| 5 | PUMP BRACKET TERMINATION | 6106 | 6106 | 6106 | 6106 | |
| 7 | LEFT BRIDGE | 6325 | 6325 | 6324 | 6324 | |
| 8 | PUMP BRACKET | 6079 | 6079 | 6079 | 6079 | |
| 9 | PUMP EARTHING CABLE | 6454 | 6454 | 6454 | 6454 | |
| 10 | COMPRESSING RING | 504 | 504 | 504 | 504 | |
| 11 | WATER PUMP | 115V/60hz 220V/50-60HZ | 6508 | 6508 | - | - |
| 12 | BOTTOM TUBE | 6130 | 6130 | 6130 | 6130 | |
| 13 | CONNECTION TUBE | 6526 | 6526 | 6526 | 6526 | |
| 14 | TOP TUBE | 6129 | 6129 | 6129 | 6129 | |
| 15 | WATER VALVE 220V/50-60HZ UL | - | - | 8963 | 8963 | |
| 15 | WATER VALVE 115V/50-60HZ UL | 7687 | 7687 | - | - | |
| 16 | DRAIN MANIFOLD | 6206 | 6206 | 6206 | 6206 | |
| 17 | DRAIN TUBE | 6131 | 6131 | 6131 | 6131 | |
| 18 | WATER DRAIN VALVE 220V/50-60HZ | 6182 | 6182 | 6183 | 6183 | |
| 19 | DISTRIBUTOR COVER | 30039 | 30039 | 30039 | 30039 | |
| 19 | GREY DISTRIBUTOR COVER | 30039G | 30039G | 30039G | 30039G | |
| 20 | FLOW REDUCER 7MM | 6414 | 6414 | 6414 | 6414 | |
| 20 | FLOW REDUCER 9MM | 6485 | 6485 | 6485 | 6485 | |
| 21 | O-RING | 4496 | 4496 | 4496 | 4496 | |
| 22 | DISTRIBUTOR | 30039 | 30039 | 30039 | 30039 | |
| 22 | GREY DISTRIBUTOR | 30039G | 30039G | 300039G | 300039G | |
| 23 | TUBE PROTECTION | 6132 | 6132 | 6132 | 6132 | |
| 24 | DISTRIBUTOR GASKET | 6456 | 6456 | 6456 | 6456 | |
| 25 | BEARING | 1001 | 1001 | 1001 | 1001 | |
| 26 | CURTAIN | 6081 | 6081 | 6080 | 6080 | |
| 27 | COMPLETE EVAPORATOR DICE 1" | 6337 | 6337 | 6339 | 6339 | |
| 27 | COMPLETE EVAPORATOR DICEO 1/2" | 6338 | 6338 | 6340 | 6340 | |
| 28 | EVAPORATOR LEFT PANEL | 2982 | 2982 | 2978 | 2978 | |
| 29 | NICKEL-PLATED EVAPORATOR DICE 1" | 5747 | 5747 | 5753 | 5753 | |
| 29 | NICKEL-PLATED EVAPORATOR DICE 1/2" | 5744 | 5744 | 5750 | 5750 | |
| 30 | EVAPORATOR BOTTOM PANEL | 6086 | 6086 | 6086 | 6086 | |
| 31 | EVAPORATOR RIGHT PANEL | 2981 | 2981 | 2977 | 2977 | |
| 32 | EVAPORATOR TOP PANEL | 6085 | 6085 | 6085 | 6085 | |

ELECTRIC BOX

440 / 500 / 880 / 1000



SPIKA MS



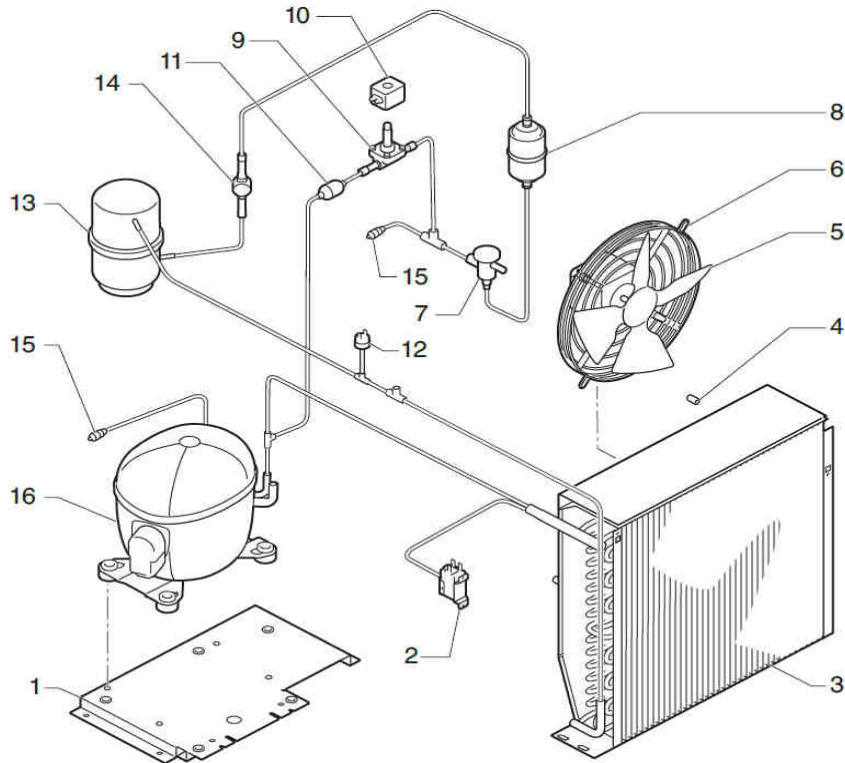
| | DESCRIPTION | | | |
|----|-------------|--------|--------|---------|
| | MS 440 | MS 500 | MS 880 | MS 1000 |
| 1 | 6074 | 6074 | 6074 | 6074 |
| 2 | 6342 | 6342 | 6343 | 6343 |
| 3 | 6161 | 6161 | 6161 | 6161 |
| 4 | - | - | 2968 | 2968 |
| 6 | 6319 | 6319 | 6320 | 6320 |
| 9 | 8670 | 8670 | 8670 | 8670 |
| 10 | 504 | 504 | 504 | 504 |
| 11 | 4907 | - | 4907 | 4907 |
| 12 | 6521 | 6521 | 6521 | 6521 |
| 13 | 8671 | 8671 | 8671 | 8671 |
| 14 | 2287 | 2287 | 2287 | 2287 |
| 15 | 2771 | - | 3675 | 3675 |
| 16 | 30861 | 30861 | 30861 | 30861 |
| 17 | - | - | 6252A | 6252A |
| 18 | 6253A | 6253A | - | - |
| 19 | 30923 | 30923 | 30922 | 30922 |
| 20 | 2181 | 2181 | 2181 | 2181 |
| 21 | 30039 | 30039 | 30039 | 30039 |
| 22 | 6138 | 6138 | 6138 | 6138 |
| 23 | 30982 | 30982 | 30982 | 30982 |
| 24 | 6334 | 6334 | 6334 | 6334 |
| 25 | 6081 | 6081 | 6080 | 6080 |
| 26 | 6179 | 6179 | 6179 | 6179 |

AIR CONDENSER

440 / 500 / 880 / 1000



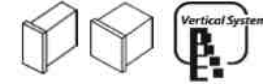
SPIKA MS



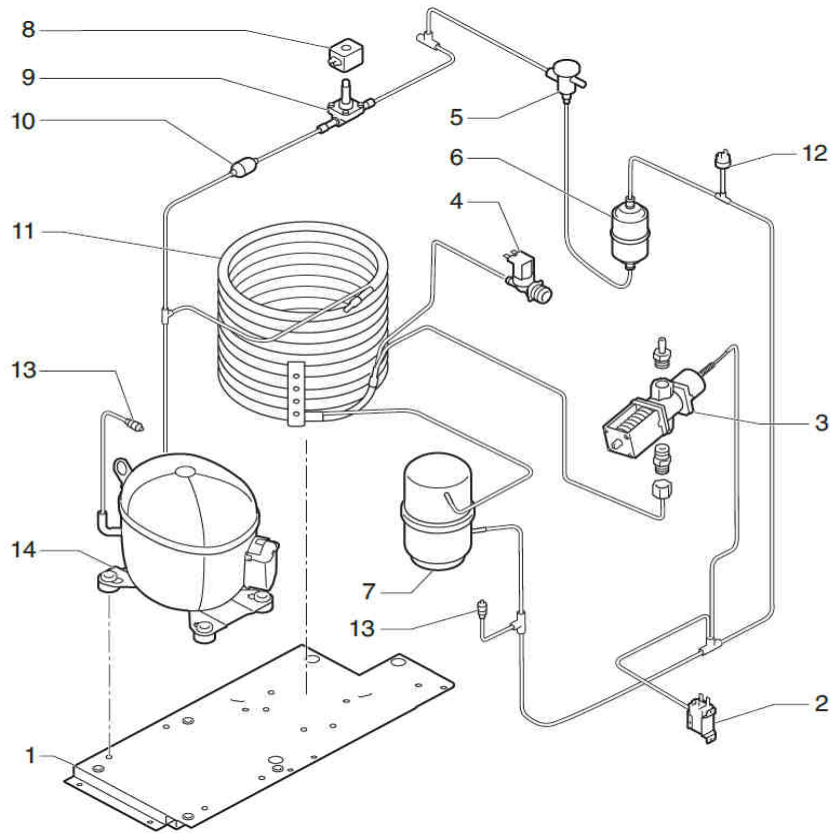
| | DESCRIPTION | MODEL | | | |
|----|---------------------------------|--------|--------|--------|---------|
| | | MS 440 | MS 500 | MS 880 | MS 1000 |
| 1 | BASE PLATE | 6326 | 6326 | 6326 | 6326 |
| 2 | CONDENSATION PRESSURE SWITCH | 2507 | 2507 | 2507 | 2507 |
| 3 | AIR CONDENSER | 6156 | 6156 | 6157 | 6157 |
| 4 | FAN BLADE SUPPORT | 6500 | 6500 | 6501 | 6501 |
| 5 | FAN BLADE 115V/60HZ | 6397 | 6397 | - | - |
| | FAN BLADE 203-230V/3ph/60HZ | - | - | 4894 | 4894 |
| 7 | EXPANSION VALVE | 1035 | 1035 | 1035 | 1035 |
| 8 | DRIER FILTER | 2560 | 2560 | 2560 | 2560 |
| 9 | HOT GAS VALVE | 6396 | 6396 | 843 | 843 |
| 10 | COIL 220V/50-60HZ | - | - | 5173 | 5173 |
| | COIL 115V/60HZ | 5414 | 5414 | - | - |
| 12 | HIGH PRESSURE SWITCH | 334 | 334 | 334 | 334 |
| 13 | PRESSURE TANK (UNLISTED MODELS) | 6241 | 6241 | 6241 | 6241 |
| 14 | SIGHT (UNLISTED MODELS) | 336 | 336 | 336 | 336 |
| 15 | LOAD VALVE | 335 | 335 | 335 | 335 |
| | COMPRESSOR | | | | |
| 16 | 115V/60HZ | 6394 | 6394 | - | - |
| | 220V/60HZ/3PH | - | - | 8304 | 8304 |

WATER CONDENSER

440 / 500 / 880 / 1000



SPIKA MS



| | DESCRIPTION | MODEL | | | |
|----|------------------------------|--------|--------|--------|---------|
| | | MS 440 | MS 500 | MS 880 | MS 1000 |
| 1 | PLATE BASE | 6326 | 6326 | 6326 | 6326 |
| 2 | CONDENSATION PRESSURE SWITCH | 2507 | 2507 | - | - |
| 3 | PRESSURE SWITCH VALVE | - | - | 425 | 425 |
| 4 | WATER VALVE 115V/60HZ | 7687 | 7687 | 8963 | 8963 |
| 5 | EXPANSION VALVE | 1035 | 1035 | 1035 | 1035 |
| 6 | DRIER FILTER | 2560 | 2560 | 2560 | 2560 |
| 7 | PRESSURE TANK | 6241 | 6241 | 6241 | 6241 |
| 8 | HOT GAS VALVE | 6396 | 6396 | 843 | 843 |
| 9 | COIL 220V/50-60HZ | - | - | 5173 | 5173 |
| | COIL115V/60HZ | 5414 | 5414 | - | - |
| 11 | WATER CONDENSER | 5246 | 5246 | 3268 | 3268 |
| 12 | HIGH PRESSURE SWITCH | 334 | 334 | 334 | 334 |
| 13 | LOAD VALVE | 335 | 335 | 335 | 335 |
| | COMPRESSOR | | | | |
| 14 | 115V/60HZ | 6394 | 6394 | - | - |
| | 220V/60HZ/3PH | - | - | 8304 | 8304 |