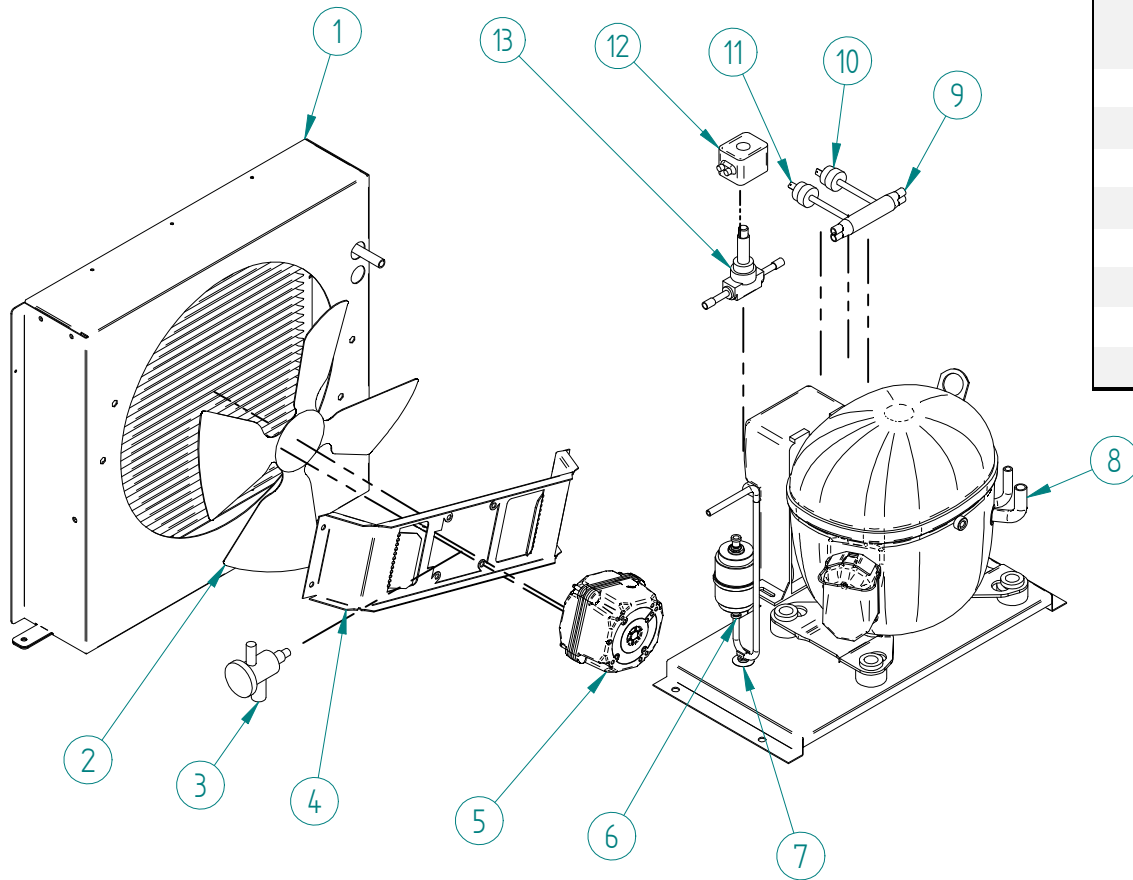


SPIKA MS R290 115V/60HZ

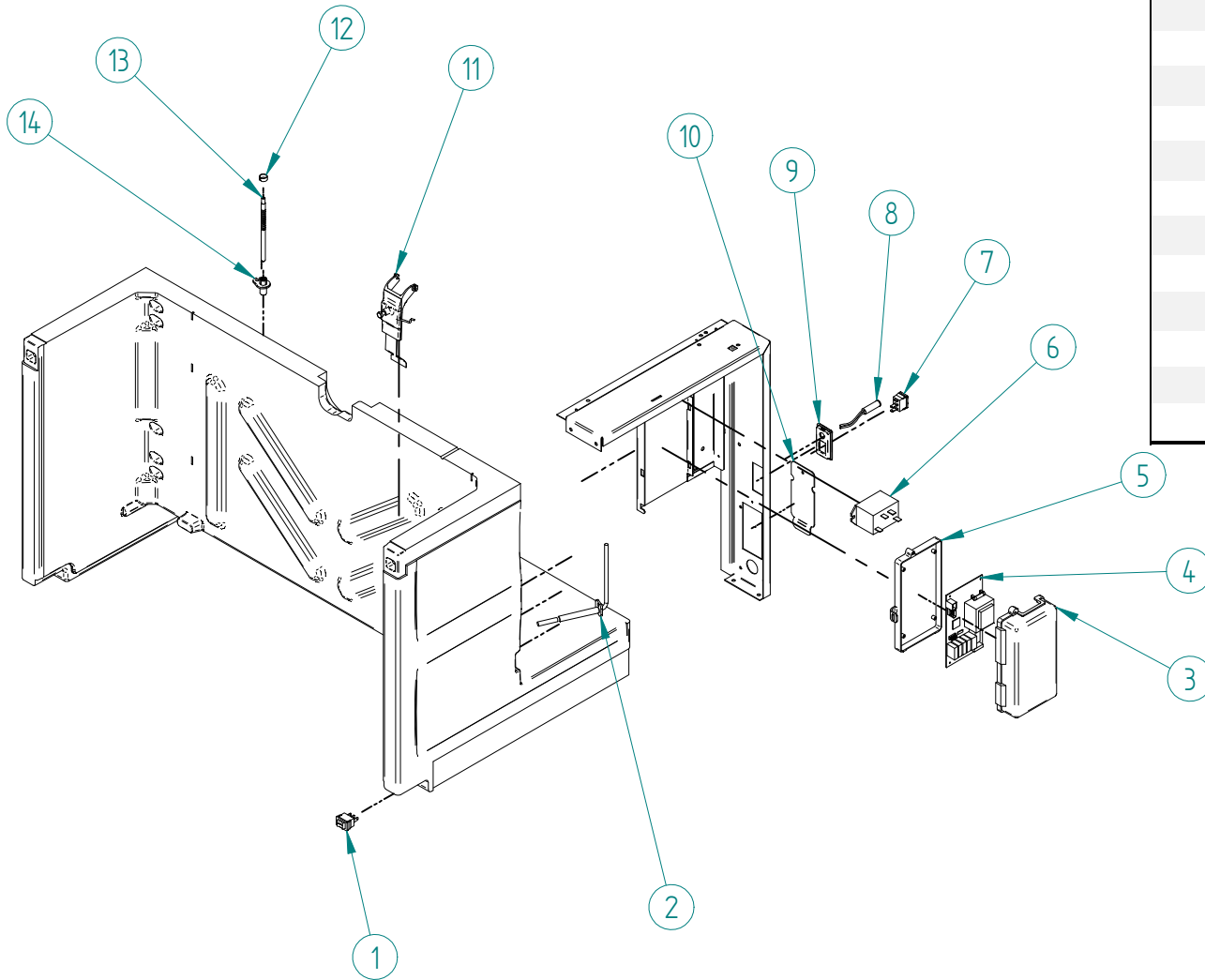
ITV
ICE makers



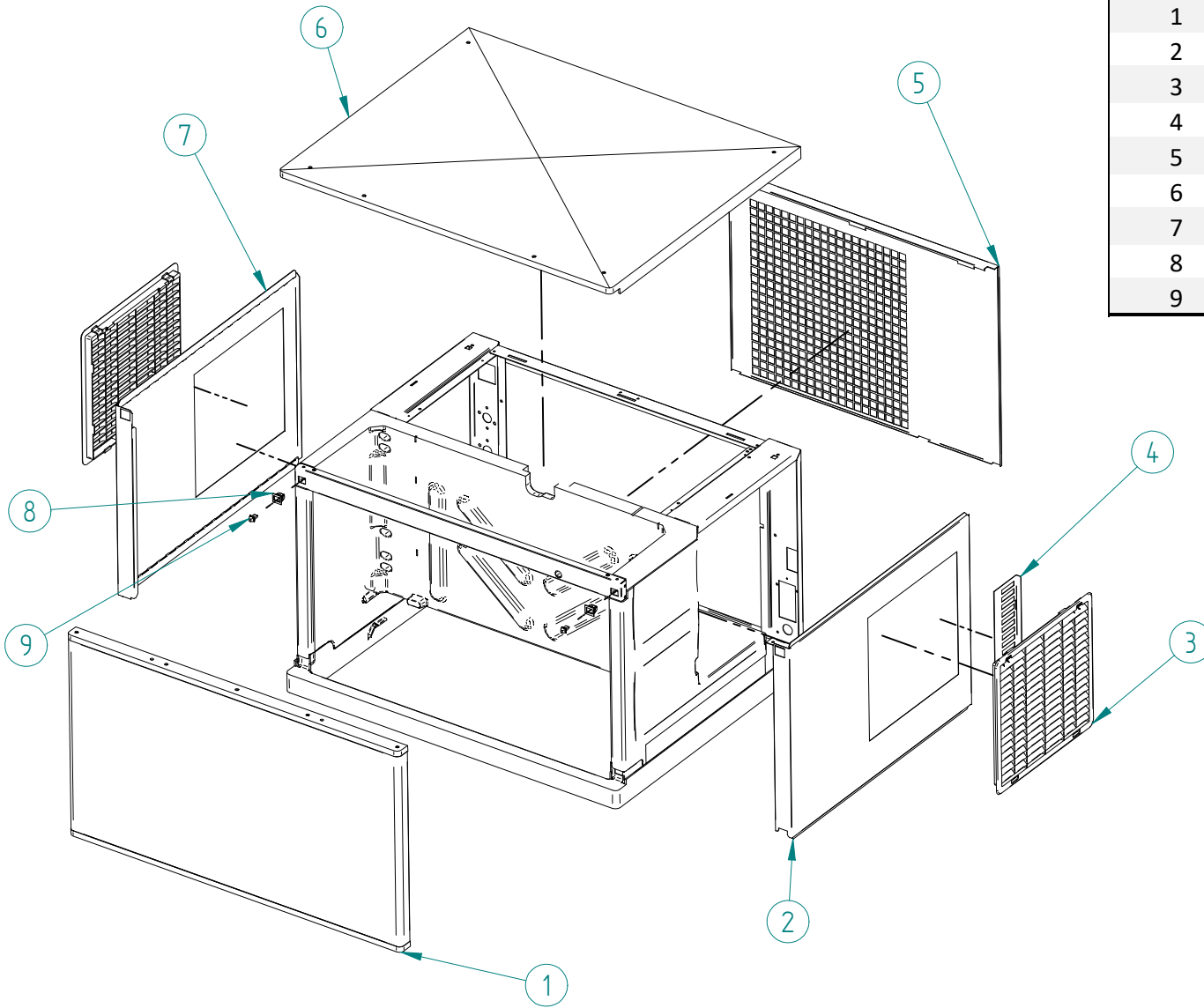
DESPIECE / REPUESTOS
EXPLODED VIEW / SPARE PARTS
EXPLOSIONSZEICHNUNG / ERSATZTEILE
VUE ÉCLATÉE / PIÈCES DÉTACHÉES
ESPLOSO / RICAMBI



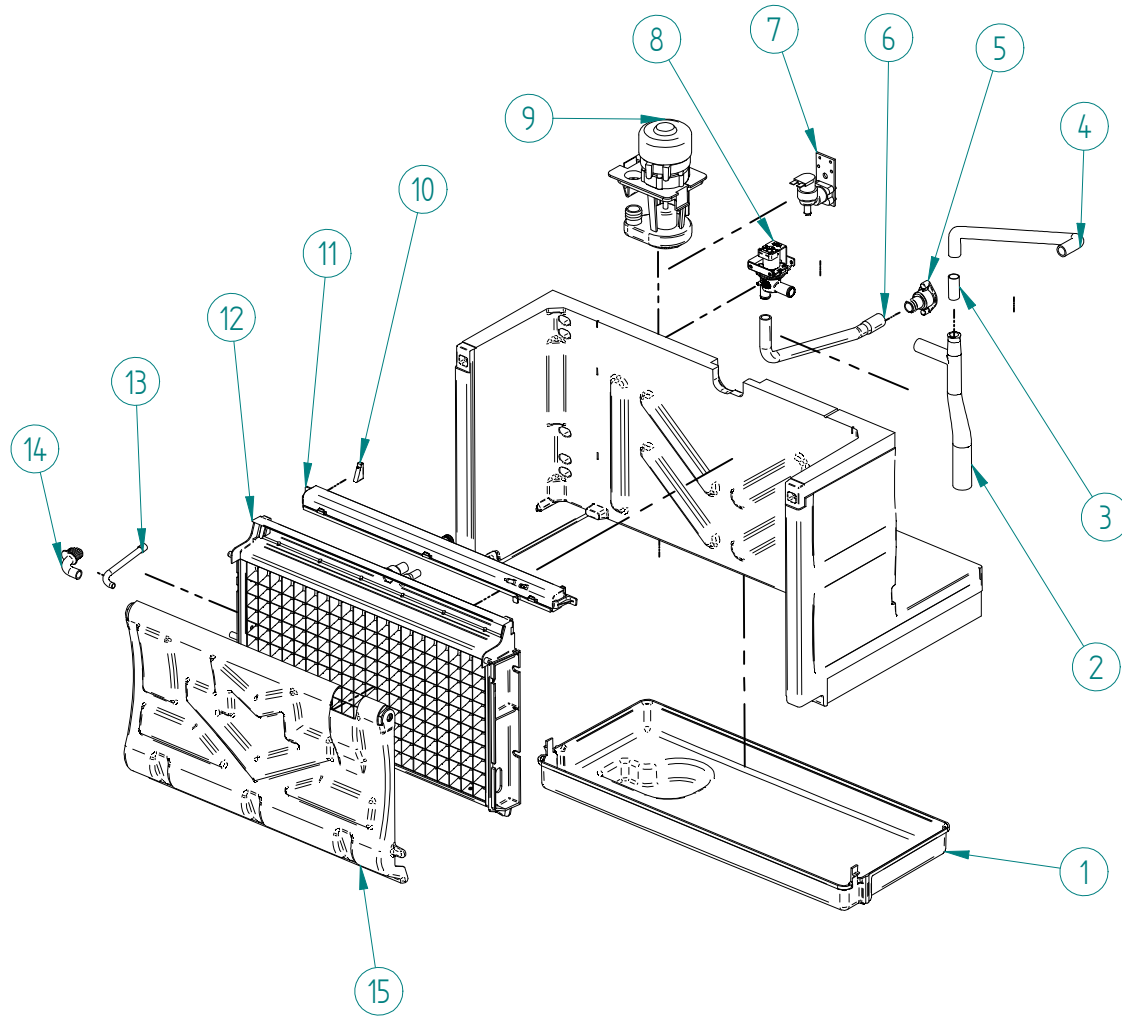
ITEM	DESCRIPTION	SPIKA R290
		MS 500
1	AIR CONDENSER	32846
2	FAN BLADE	6398
3	EXPANSION VALVE	31524
4	FAN SUPPORT	6500U
5	FAN MOTOR 115V/60HZ	32655
	FAN MOTOR WIRE 115V/60HZ	32657
6	DRIER FILTER	2560
7	PLASTIC CLIP 1/4"	3533
8	COMPRESSOR 115V/60HZ	31456
9	PRESSURE SWITCH COLLECTOR	31444
10	HIGH PRESSURE SWITCH	31660E
11	FAN CONTROL PRESSURE SWITCH	31160E
12	HOT GAS VALVE - COIL	5414
13	HOT GAS VALVE - BODY	6396



ITEM	DESCRIPTION	SPIKA R290
		MS 500
1	SWITCH (ICE-STANDBY-WASH)	6161
2	CURTAIN SENSOR	6521A
3	ELECTRIC BOX COVER	30861
4	ELECTRONIC BOARD 115V/60HZ	6253C
5	ELECTRIC BOX	2181
6	RELAY 115V/60HZ	32501
7	MAIN SWITCH	32416
8	BLUE LED	32415
9	MAIN SWITCH SUPPORT	32441
10	JUNCTION BOX COVER	31921
11	THICKNESS ICE BLOCK SENSOR	6334
12	COMPRESSING RING	504
13	ISOLATED WATER LEVEL SENSOR	30982
14	SUPPORT WATER LEVEL SENSOR	8670



ITEM	DESCRIPTION	SPIKA R290
		MS 500
1	FRONT PANEL	6269
2	RIGHT PANEL	6327
3	SIDE LOUVER	6084
4	WIRE PROTECTION GRILL	32835
5	REAR PANEL	6315U
6	TOP PANEL	6073
7	LEFT PANEL	6328
8	FEMALE PANEL CLIP	6180
9	MALE PANEL CLIP	6181



ITEM	DESCRIPTION	SPIKA R290
		MS 500
1	WATER BIN	6078
2	LOWER WATER PUMP DISCHARGE TUBE	6130
3	WATER PUMP DISCHARGE TUBES JUNCTION	6526
4	UPPER WATER PUMP DISCHARGE TUBE	6129
5	DRAIN FITTING	31723
6	DRAIN TUBE	31845
7	INLET WATER VALVE 115V/60HZ	31810
8	WATER DRAIN VALVE 115V/60HZ	6182
9	WATER PUMP 115V/60HZ	6508
10	DISTRIBUTOR JOINT	6456
11	WATER DISTRIBUTOR	30039G
12	EVAPORATOR FULL DICE ASSY	6337
	EVAPORATOR HALF DICE ASSY	6338
13	PIPE	3363
14	PIPE PROTECTION	6132
15	CURTAIN	6081K