

## SPIKA MS 400-700

---

**ITV**  
ICE makers

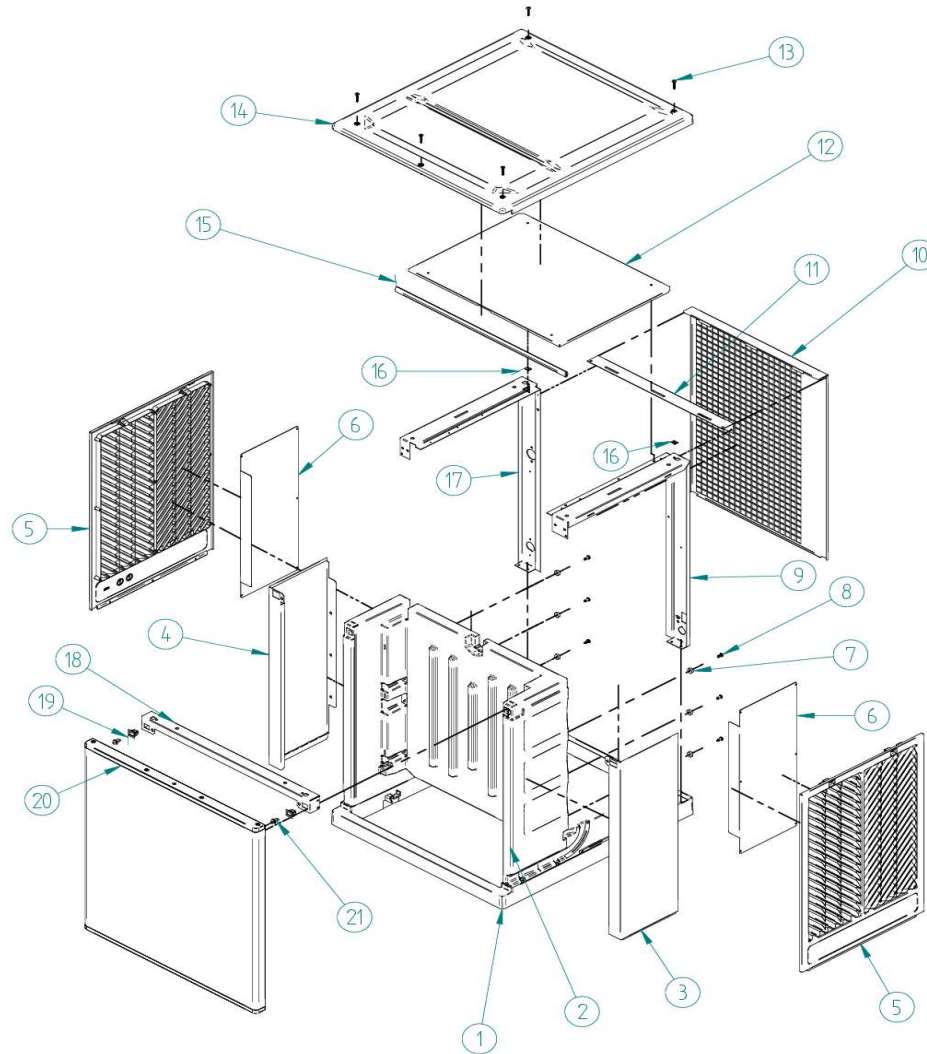


DESPIECE / REPUESTOS  
EXPLODED VIEW / SPARE PARTS  
EXPLOSIONSZEICHNUNG / ERSATZTEILE  
VUE ÉCLATÉE / PIÈCES DÉTACHÉES  
ESPLOSO / RICAMBI

# CABINET

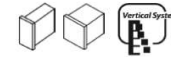


## SPIKA MS 400-700

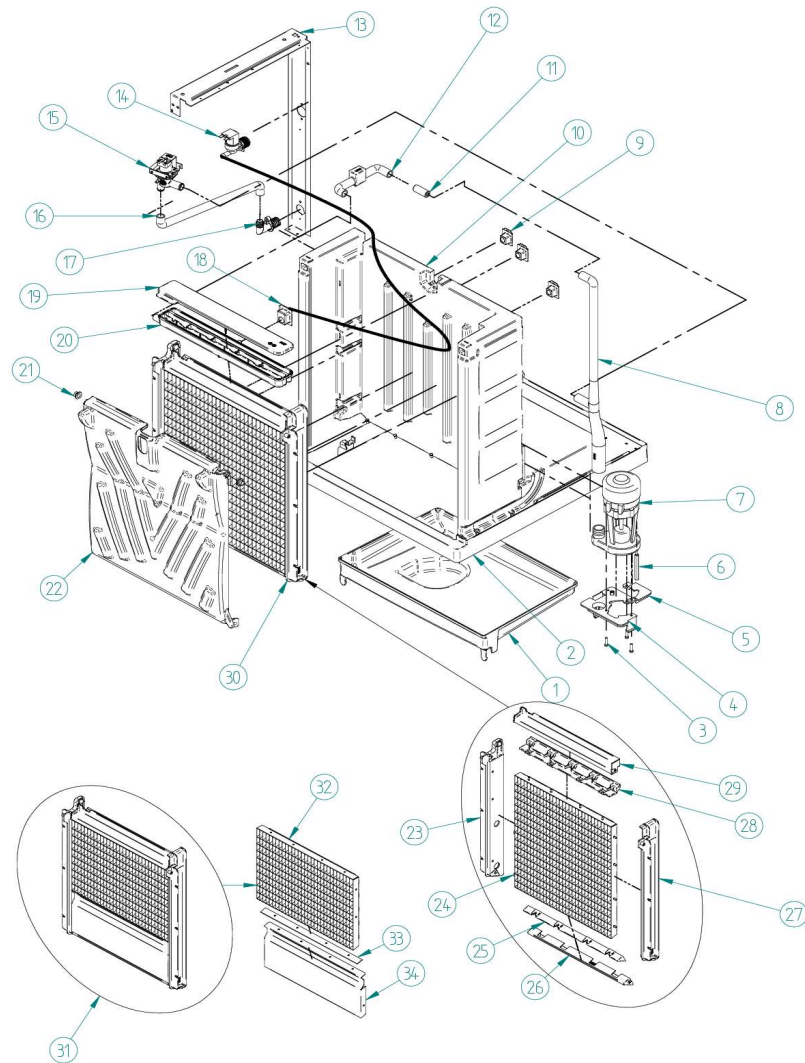


DESCRIPTION		MODEL
		MS 400-700
1	BASE PLATE	30412
2	INSULATED BODY	30428
3	RIGHT SIDE PANEL	30747
4	LEFT SIDE PANEL	30748
5	SIDE GRILLE	30424
6	SIDE GRILLE COVER	30908
7	LEGS	2171
8	SCREW 4.8X13	275
9	RIGHT SUPPORT	30742
10	REAR PANEL	30746
11	REAR BRACE	30743
12	METALLIC FIREWALL SHIELD	30909
13	BLACK SCREW 3.9X25	30910
14	TOP PANEL	30423
15	COVER PIECE	30753
16	NUT	311
17	LEFT SUPPORT	30744
18	FRONT BRACE	30745
19	FEMALE PANEL CLIP	6180
20	FRONT DOOR	30749
21	MALE PANEL CLIP	6181

# MANUFACTURING CONTAINER



SPIKA MS 400-700

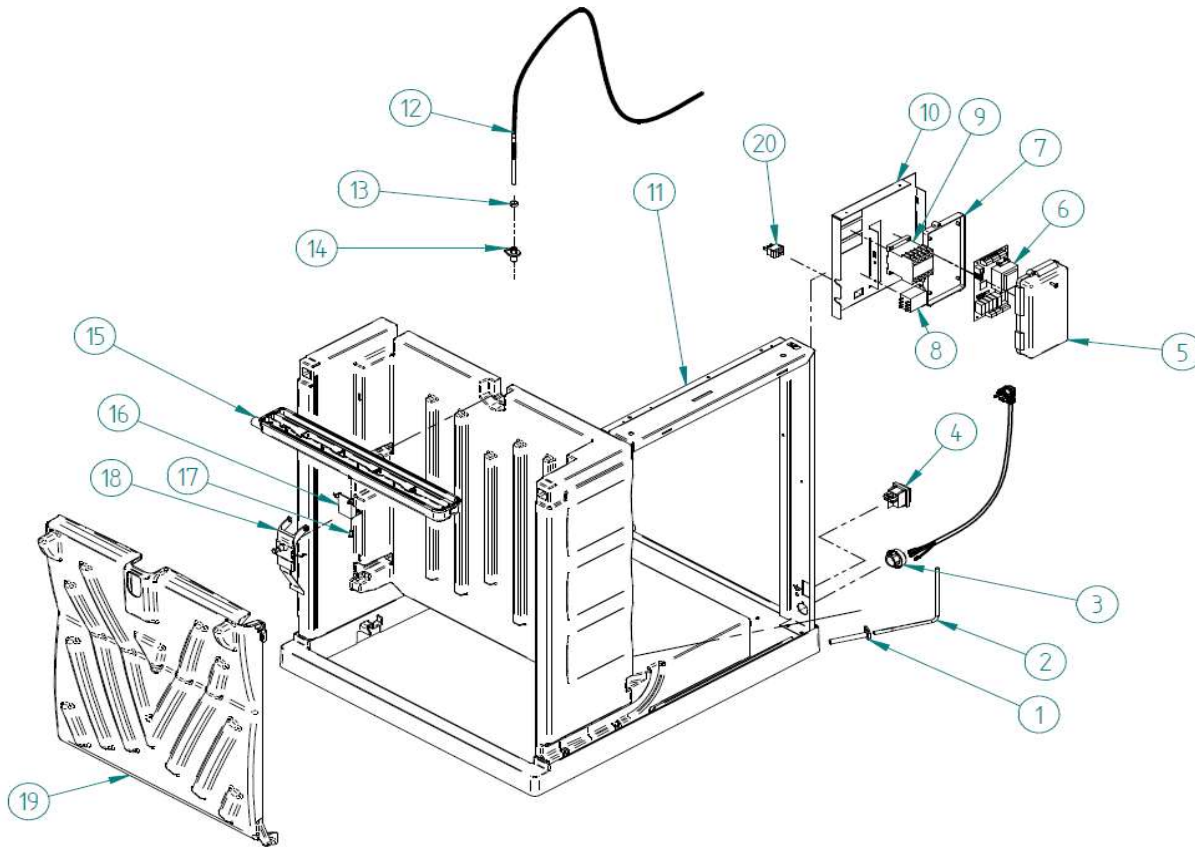


DESCRIPTION	MODEL	
	MS 400	MS 700
1 WATER TRAY	30413	
2 BASE FRAME	30412	
3 SCREW 5X20	7931	
4 PUMP SUPPORT	6079	
5 PUMP SUPPORT TERMINATION	6106	
6 PUMP EARTHING WIRE	6454	
7 PUMP 115V/60HZ	6508	
8 BOTTOM TUBE	30469	
9 CAP	30683	
10 BODY	30428	
11 FLOW REDUCER 7mm	30784	
12 TOP TUBE	30684	
13 LEFT SUPPORT	30744	
14 INLET WATER VALVE 115V/60HZ	31810	
15 DRAIN VALVE 115V/60HZ	6182	
16 DRAIN TUBE	31846	
17 DRAIN TUBE CONNECTOR	30850	
18 DISTRIBUTOR CAP	30682	
19 WATER DISTRIBUTOR COVER	30427	
20 WATER DISTRIBUTOR	30422	
21 CURTAIN BUSHING	1001	
22 CURTAIN	30420	
23 EVAPORATOR LEFT PANEL	30419	
24 EVAPORATOR 1/2"	-	30778A
EVAPORATOR 1"	-	30906A
25 EVAPORATOR BOTTOM PANEL CLIP	30415	
26 EVAPORATOR BOTTOM PANEL	30414	
27 EVAPORATOR RIGHT PANEL	30418	
28 EVAPORATOR TOP PANEL CLIP	30417	
29 EVAPORATOR TOP PANEL	30416	
30 COMPLETE EVAPORATOR 1/2"	-	30752
COMPLETE EVAPORATOR 1"	-	30907
31 COMPLETE EVAPORATOR 1/2"	31933A	-
COMPLETE EVAPORATOR 1"	31947A	-
32 EVAPORATOR 1/2"	31931	-
EVAPORATOR 1"	31945	-
33 THERMAL BRIDGE	31955	-
34 EVAPORATOR COVER	31953	-

# ELECTRIC BOX

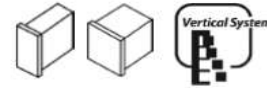


## SPIKA MS 400-700

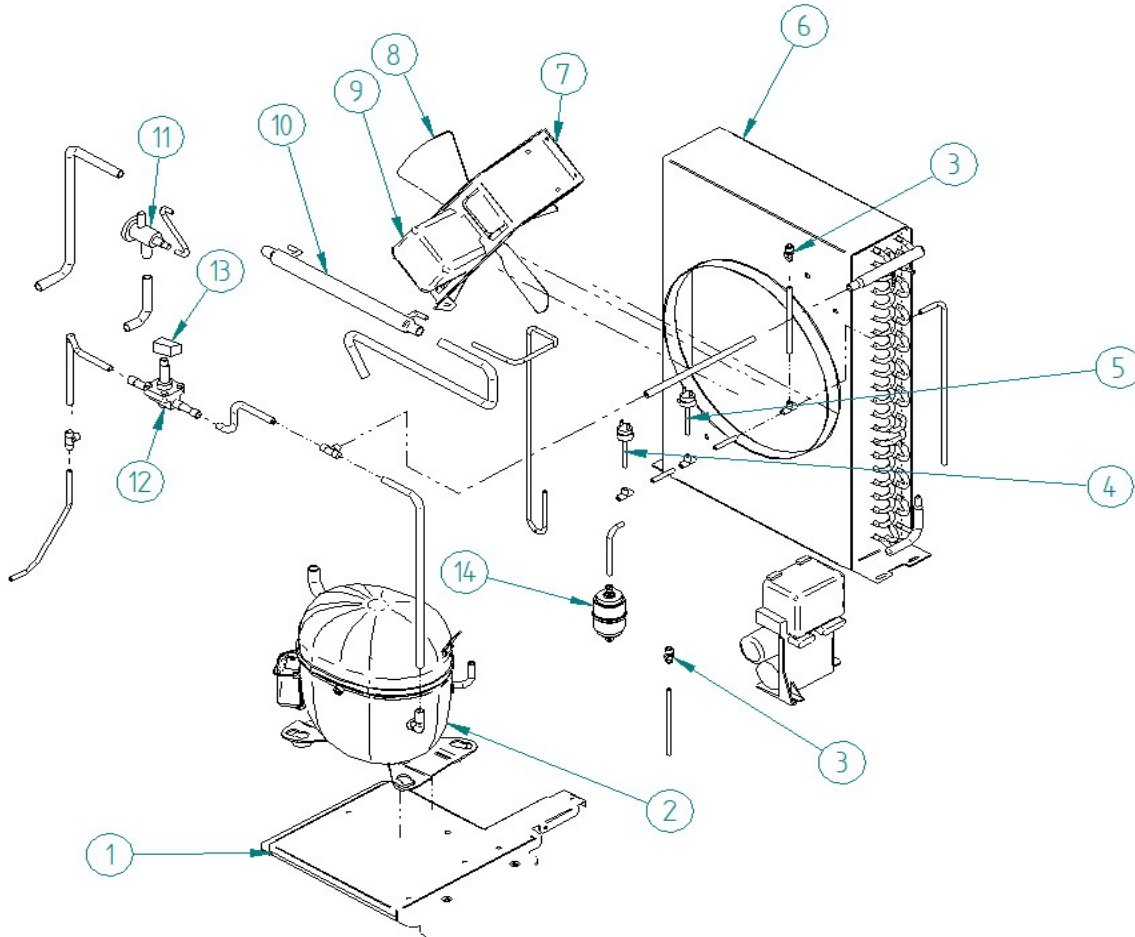


	DESCRIPTION	MODEL MS 400-700
1	CURTAIN SENSOR END	8671
2	CURTAIN SENSOR	6178
3	RETAINER	4907
4	MAIN POWER SWITCH	31496
5	ELECTRIC BOX COVER	30861
6	ELECTRONIC BOARD 1115V/60HZ	6253B
7	ELECTRONIC BOX	2181
8	RELAY 115V/60HZ	2987
9	CONTACTOR 115V/60HZ	30027A
10	BOX SUPPORT	30741
11	RIGHT SUPPORT	30742
12	WATER LEVEL PROBE	30982
13	WASHER	504
14	WATER LEVEL SUPPORT	8670
15	WATER DISTRIBUTOR	30422
16	THICKNESS SENSOR SUPPORT	30421
17	SCREW 3.X12.7	243
18	THICKNESS SENSOR	30894A
19	CURTAIN	30420
20	3 POSITION SWITCH (ICE/OFF/WASH)	6161

# AIR CONDENSER

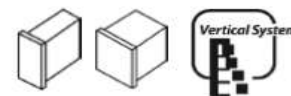


## SPIKA MS 400-700

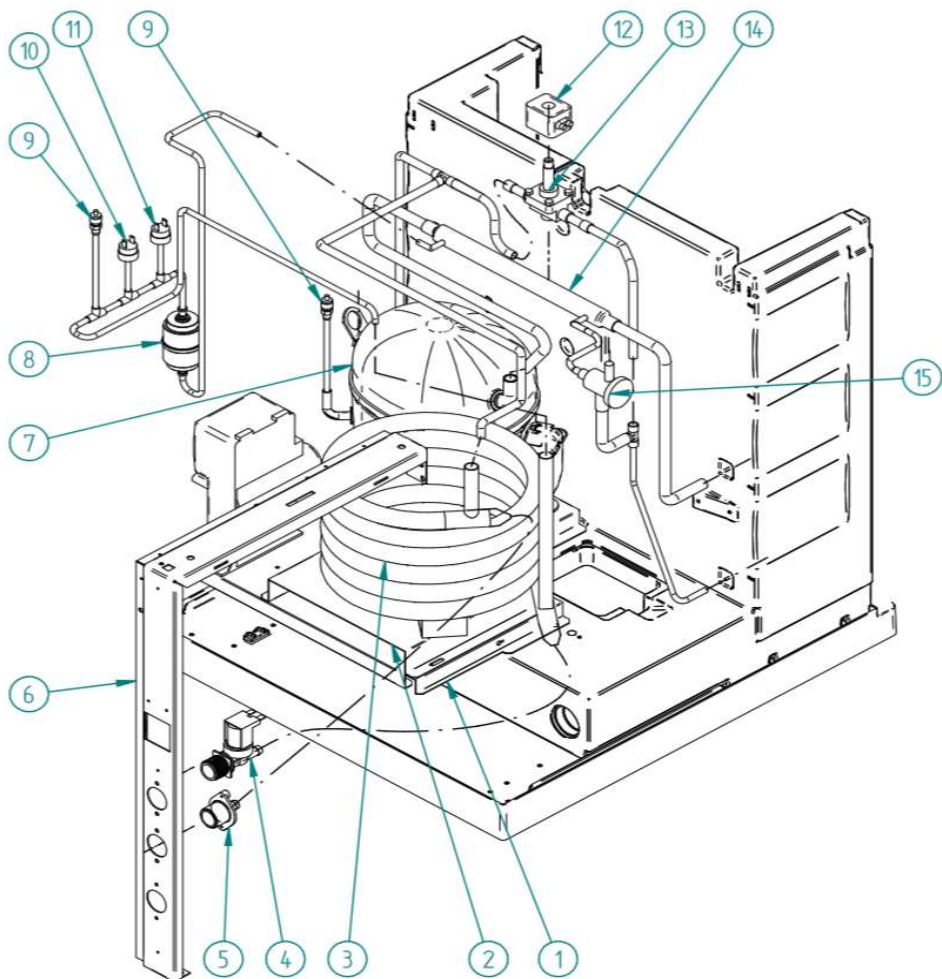


	DESCRIPTION	MODEL	
		MS 400	MS 700
1	BASE PLATE		30868
2	COMPRESSOR 115V/60HZ		30662
3	CHARGING VALVE		335
4	HIGH PRESSURE SWITCH		334
5	FAN CYCLE SWITCH		7476E
6	CONDENSER		30429
7	FAN SUPPORT		6501
8	FAN BLADE		6398
9	FAN MOTOR 115V/60HZ		8096
10	HEAT EXCHANGER		8575
11	EXPANSION VALVE #6		1035
12	HOT GAS VALVE BODY	6396	31014
13	COIL - HOT GAS VALVE	5414	31987
14	FILTER DRIER		2560

# WATER COOLED CONDENSER



**SPIKA MS 400-700**



DESCRIPTION		MODEL
		MS 700
1	BASE PLATE	31805
2	WATER CONDENSER SUPPORT	31804
3	WATER CONDENSER	32819
4	INLET WATER CONDENSER VALVE 115V/60HZ	<a href="#">7686</a>
5	DRAIN WATER CONDENSER CONNECTOR	<a href="#">1689</a>
6	LEFT SUPPORT	32356
7	COMPRESSOR 115V/60HZ	30662
8	FILTER DRIER	<a href="#">2560</a>
9	CHARGING VALVE	<a href="#">335</a>
10	FAN CYCLE SWITCH	7476E
11	HIGH PRESSURE SWITCH	<a href="#">334</a>
12	HOT GAS VALVE COIN	31987
13	HOT GAS VALVE BODY	31014
14	HEAT EXCHANGER	8575
15	EXPANSION VALVE	<a href="#">1035</a>