

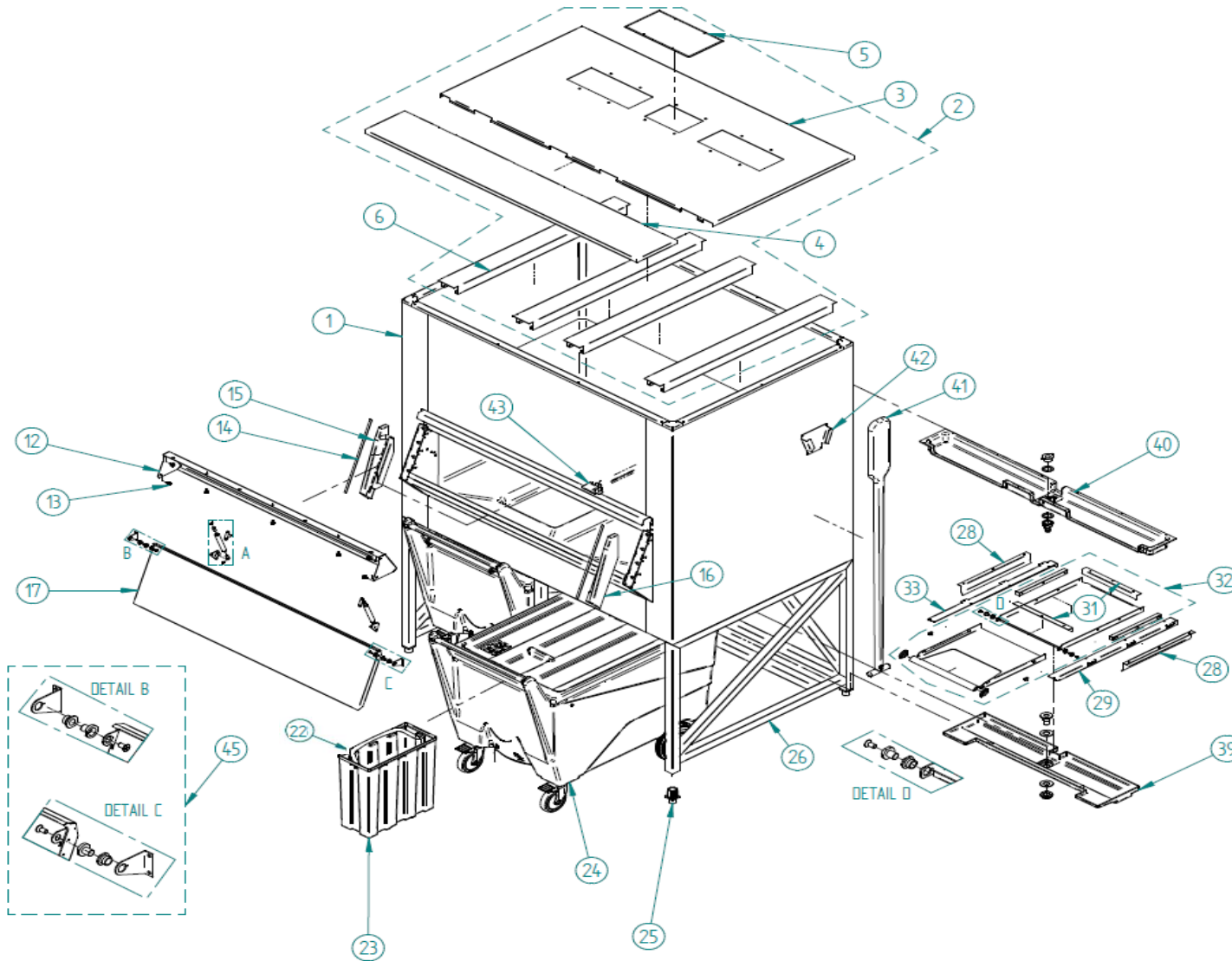
SCD BIN WITH CART

ITV
ICE makers



DESPIECE / REPUESTOS
EXPLODED VIEW / SPARE PARTS
EXPLOSIONSZEICHNUNG / ERSATZTEILE
VUE ÉCLATÉE / PIÈCES DÉTACHÉES
ESPLOSO / RICAMBI

ITV | ICE makers **SERVICE** 

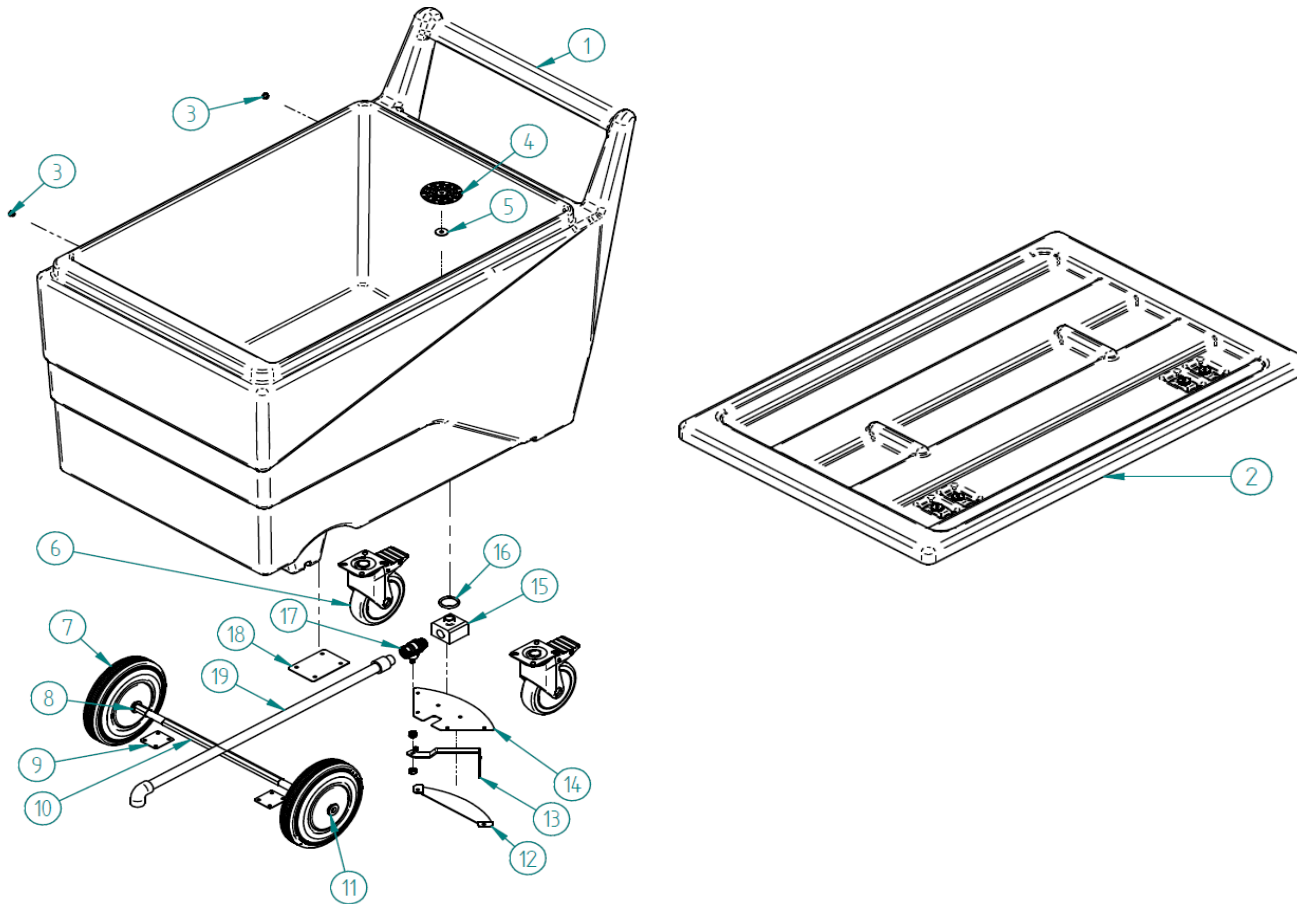


		DESCRIPTION	
BIN			
1	SCD 900	31233	
	SCD 1400	31232	
	SCD 1800	31231	
COVER BIN KIT			
2	SCD 900 IQ	31222	
	SCD 1400-1800 IQ	31221	
	SCD 900 MS	31224	
	SCD 1400-1800 MS	31223	
FIXED COVER SIDE			
3	IQ	30296	
	MS	8753	
UNFIXED COVER SIDE			
4	IQ	30297	
	MS	30443	
ICE CHUTE COVER			
5	SCD 900	8999	
	SCD 1400-1800	30185	
BIN COVER REINFORCEMENT			
6			
12 ICE DEFLECTOR			
12		8752	
13 SCREW M-5 INOX x7			
13		6796	
14 STRAIGHT CONTOUR 10X2			
14		6815	
15 LEFT SIDE EXIT FINISH			
15		8865	
16 RIGTH SIDE EXIT FINISH			
16		8864	
17 BIN DOOR			
17		8882	
22 BASKET HANDLE			
22		8860	
23 CART-MOUNTED BASKET			
23		8859	
24 CART			
24		8927	
25 ADJUSTABLE LEG INOX 40X40			
25		30138	
26 BIN METALLIC STRUCTURE			
26		8849	
28 DEFLECTOR BRACKET			
28		8766	
29 LEFT GUILLOTINE GUIDE BRACKET			
29		8854	
31 ICE EXIT SPAT			
31		8765	
32 GUILLOTINE KIT			
32		31215	
33 RIGHT GUILLOTINE GUIDE BRACKET			
33		8857	
39 LOWER DRAIN TRAY SET			
39		31212	
40 UPPER DRAIN TRAY SET			
40		31211	
41 BIN SHIVEL			
41		30148	
42 SHOVEL SUPPORT KIT			
42		31213	
43 DOOR GRAB			
43		30377	
45 DOOR AXLE KIT			
45		31707	
* HINGE DOOR KIT (DETIAL D)			
*		31337	

CART



BIN WITH CART



		DESCRIPTION	
1	CART		8926
2	CART COVER		31217
3	SCREW FOR THE COVER		8843
4	DRAIN GRILL		8838
5	WATER DEFLECTOR		1582
6	REAR WHEEL		8862A
	REAR WHEEL before s/n 18267761		8862
7	FRONT WHEEL 200 MM DIAM		8861
8	INT. WASHER FRONT WHEEL		8836
9	ANCHOR SHEET FRONT WHEEL		8736
10	FRONT WHEEL SHAFT		8863
11	EXT. WASHER FRONT WHEEL		8837
12	SUPPORT BRIDGE		8842
13	DRAIN VALVE FAUCET		8839
14	ANCHOR SHEET VALVE		8841
15	DRAIN CONNECTION		8840
16	O-RING 32X4		8869
17	BALL VALVE 1/2" M-H		8868
18	ANCHOR SHEET DRAIN TUBE		8737
19	CART DRAIN TUBE		31216