

NOTE 1:  
IF NO LOW TEMPERATURE CUTOFF IS SPECIFIED, A JUMPER IS PROVIDED BETWEEN TERM 11 & 14.

COM NO

CTM

SET 10

SET 98

YEL

DELIME

11

14

YEL

OVERLOAD

W0

M1

WASH MOTOR

DETERGENT DISP (IF USED)

RED

COM

NO

MO

16

ORG

OR7

9

GRAY

CR 3

RED

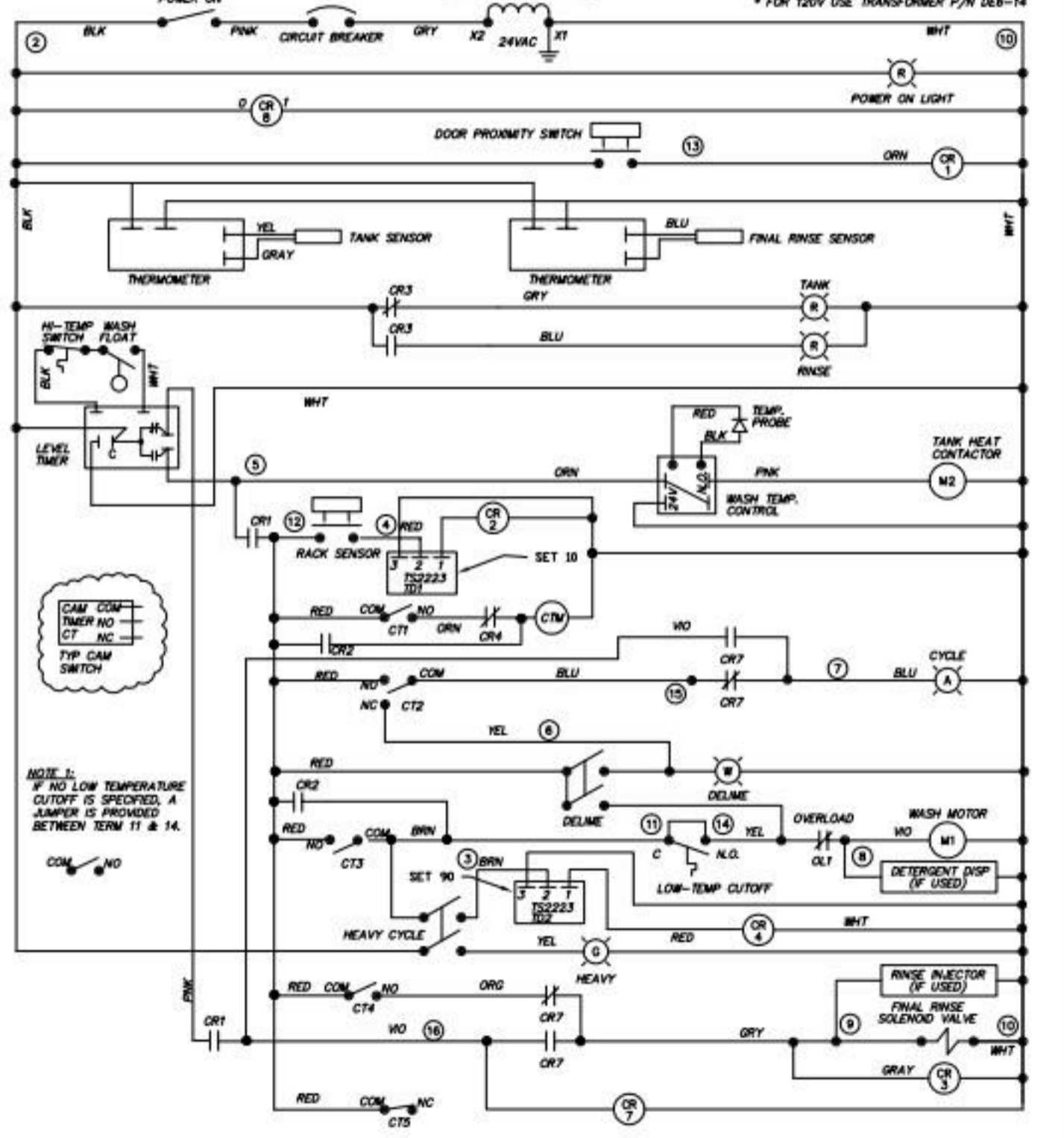
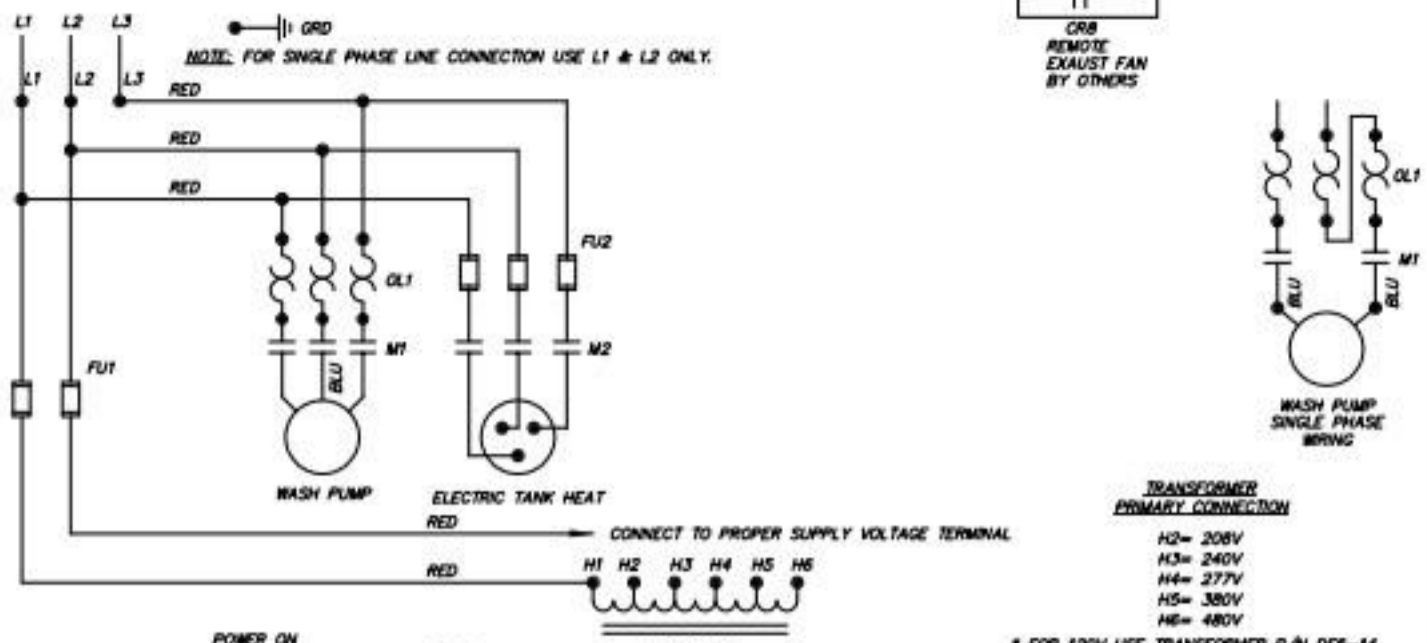
COM

NC

CT5

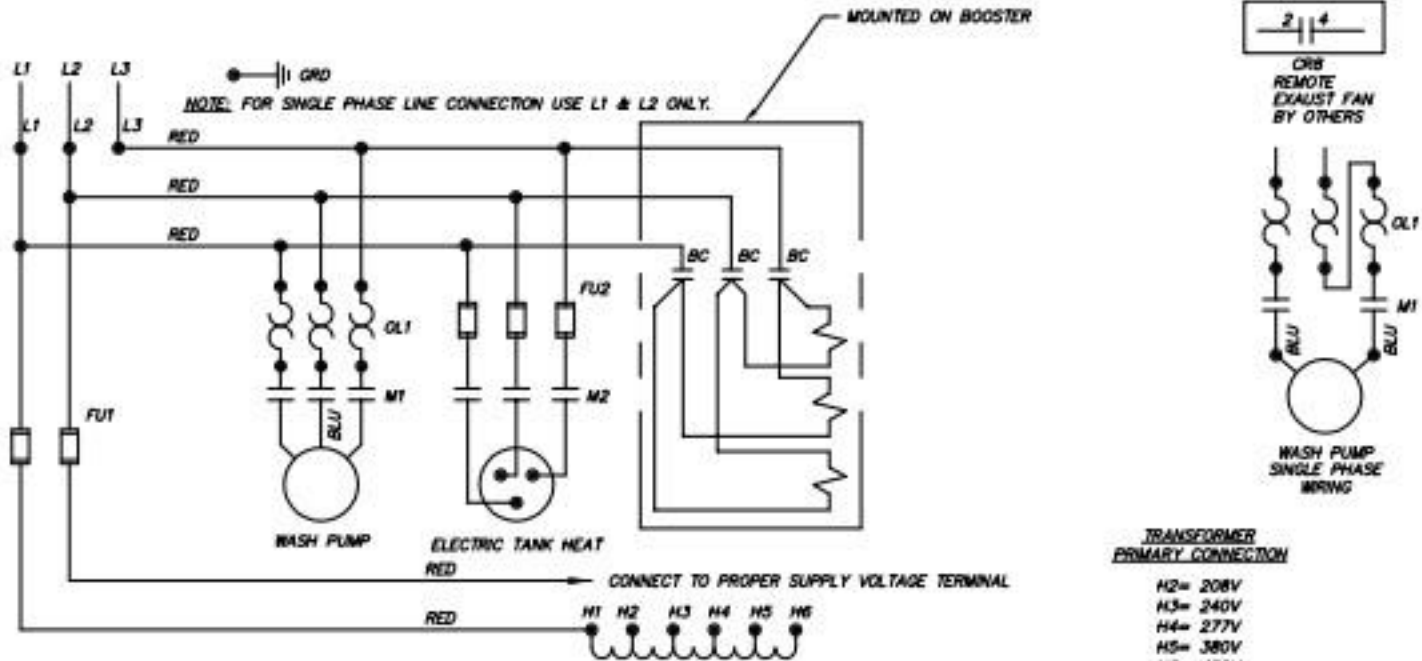
CR 7

B	2648	12.12.12	TITLE	DOOR TYPE MACHINE 18-6	DRG. NO.	WDOOR055
A		01.12.12		STEAM HEAT		
REV	ECN NO	DATE			Philadelph. PA 19135	DRWN/DATE
FILE: WIRE					(215) 624-4800	JUB
					FAX (215) 624-8966	01.03.12



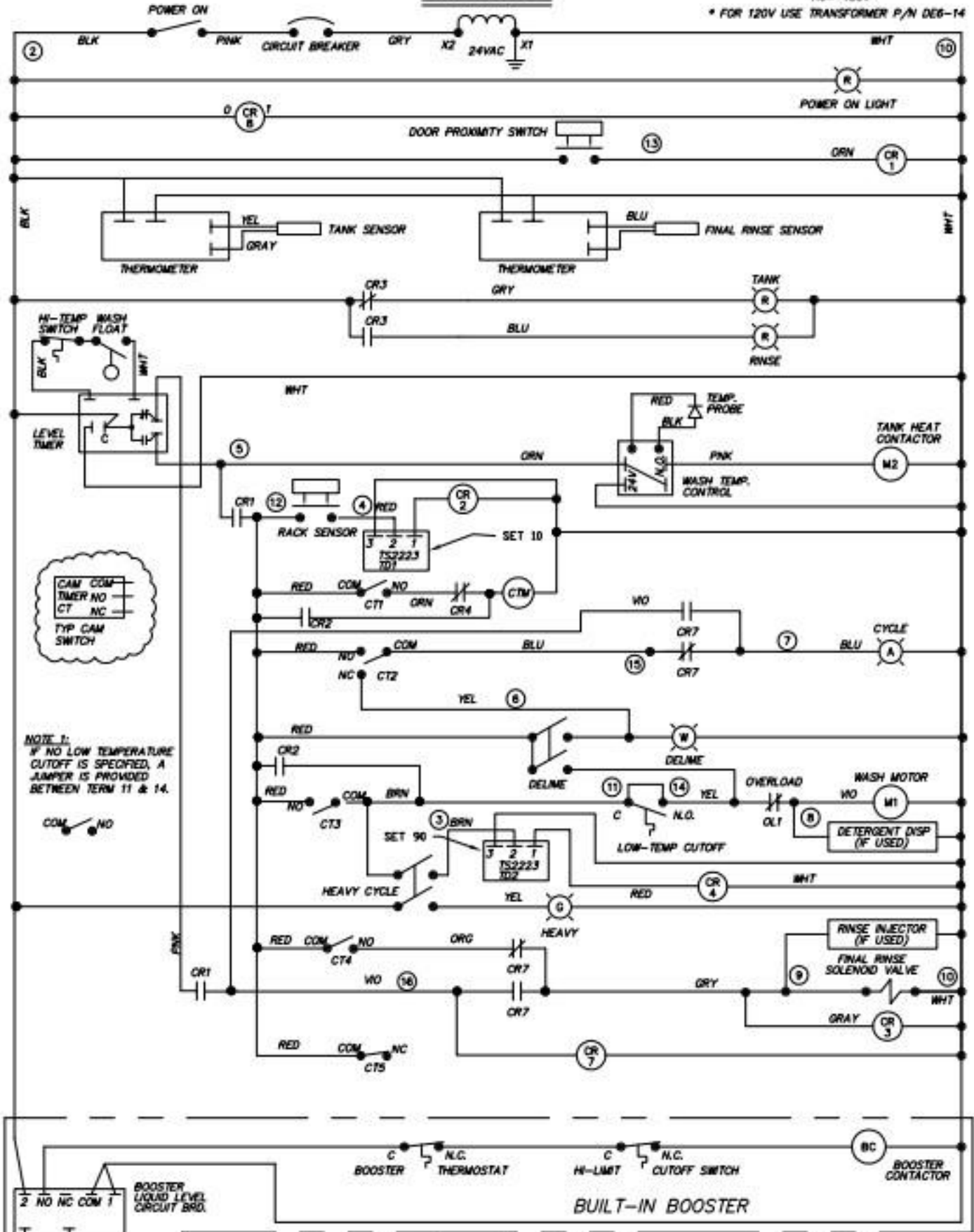
B	2648	12.12.12	TITLE	DOOR TYPE MACHINE 18-6 ELECTRIC HEAT	DWG. NO.	WDOOR058
A		01.12.12	REV	ECON NO	DATE	DRWN/DATE
			FILE	WIRE		JLB 01.03.12

Philadelphia, PA 19135  
(215) 624-4800  
FAX (215) 624-6966



**TRANSFORMER  
PRIMARY CONNECTION**  
 H2= 208V  
 H3= 240V  
 H4= 277V  
 H5= 380V  
 H6= 480V

\* FOR 120V USE TRANSFORMER P/N DE6-14



**NOTE 1:**  
 IF NO LOW TEMPERATURE  
 CUTOFF IS SPECIFIED, A  
 JUMPER IS PROVIDED  
 BETWEEN TERM 11 & 14.

TITLE		DOOR TYPE MACHINE 18-6		DWG. NO.		WDOOR050	
REV		01.12.12		Philadelphia, PA 19135		DRWN/DATE	
ECON NO		DATE		(215) 624-4800		JUB	
FILE: WIRE				FAX (215) 624-6966		01.03.12	

