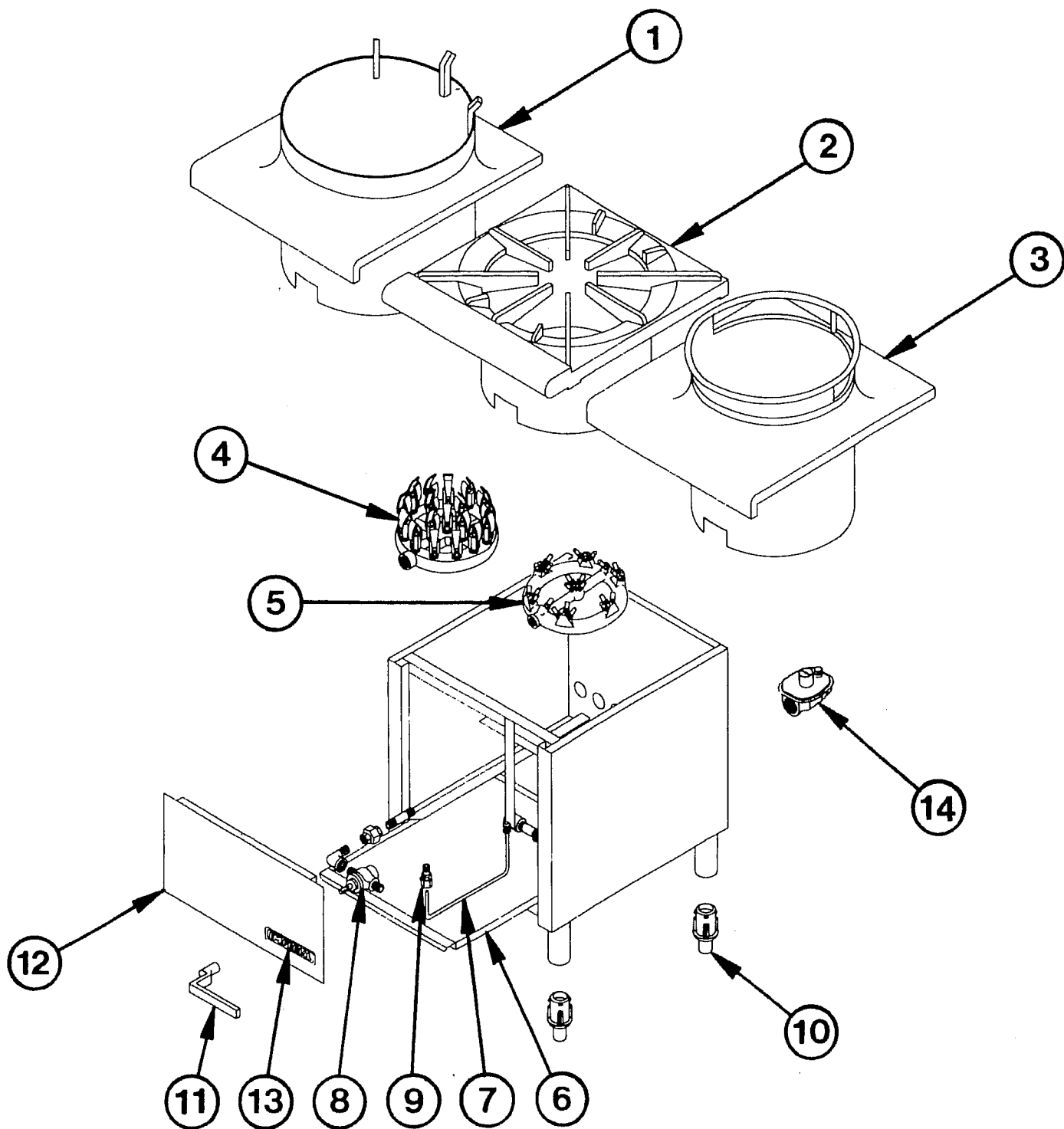


ISPJ SERIES STOCK POT JET
REPLACEMENT PARTS FOR ALL ISPJ MODELS



ISP - J SERIES

| ITEM NO | DESCRIPTION | PART # | ISP-J- SP | ISP-J-SP2 | ISP-J-W13 | ISP-J-W16 |
|---------|--------------------------------------|-----------|-----------|-----------|-----------|-----------|
| 1 | Tempura Top 16" | 15015 | 1 | 1 | 1 | 1 |
| 2 | Stock Pot Top Grate Cast Iron | 15016 | 1 | 1 | 1 | 1 |
| 3 | Wok Top With Ring 13" | 15017 | 1 | 1 | 1 | 1 |
| 4 | Duck Jet Burner (NAT.) 18 tip | 1270 | 1 | 2 | 1 | 1 |
| | Duck Jet Burner (L.P.) 18 Tip | 1271 | 1 | 2 | 1 | 1 |
| | Duck Jet Burner Tip Only - NAT. | 1602 | 18 | 36 | 18 | 18 |
| | Duck Jet Burner Tip Only - L.P. | 1603 | 18 | 36 | 18 | 18 |
| 5 | Jet Burner (NAT.) 23 Tip | 1272 | 1 | 2 | 1 | 1 |
| | Jet Burner (L.P.) 23 Tip | 1273 | 1 | 2 | 1 | 1 |
| | Jet Burner (NAT.) 32 Tip | 1274 | 1 | 2 | 1 | 1 |
| | Jet Burner (L.P.) 32 Tip | 1275 | 1 | 2 | 1 | 1 |
| | Jet Burner Tip Only - NAT. | 1600 | 23 or 32 | 46 or 64 | 23 or 32 | 23 or 32 |
| | Jet Burner Tip Only - L.P. | 1601 | 23 or 32 | 46 or 64 | 23 or 32 | 23 or 32 |
| 6 | Crumb Tray | 15010 | 1 | 2 | 1 | 1 |
| *** | Crumb Tray -2 | 15011 | | 1 | | |
| *** | Crumb Tray Guide | 31522 | | 2 | | |
| 7 | Pilot Burner Assembly | 10000-18 | 1 | 2 | 1 | 1 |
| | Pilot Burner Assembly - S/S | 10000-18S | 1 | 2 | 1 | 1 |
| | Ferrel 3/16" | 1630 | 1 | 2 | 1 | 1 |
| | Compression Nut 3/8" | 1636 | 1 | 2 | 1 | 1 |
| 8 | Main Gas Valve Brass | 1620 | 1 | 2 | 1 | 1 |
| 9 | Adjustable Single Pilot Valve Brass | 1607 | 1 | 2 | 1 | 1 |
| 10 | Adjustable Bullet Foot | 1045 | 4 | 6 | 4 | 4 |
| *** | Caster 6in. W / Swivel Plate | 1060 | 4 | 6 | 4 | 4 |
| *** | Caster 6in. W / Swivel Plate W/Brake | 1061 | 4 | 6 | 4 | 4 |
| 11 | L-Shaped Handle For Gas Control | 1195 | 1 | 2 | 1 | 1 |
| | Set Screw | 1909 | 1 | 2 | 1 | 1 |
| | Pan Head Screw | 1910 | 1 | 2 | 1 | 1 |
| 12 | Valve Cover - S/S | 15032 | 1 | 1 | 1 | 1 |
| 13 | Imperial Logo | 1204 | 1 | 1 | 1 | 1 |
| | Name Plate Speed Nut | 1027 | 2 | 2 | 2 | 2 |
| 14 | Gas Pressure Regulator 3/4" - NAT. | 1050 | 1 | 1 | 1 | 1 |
| | Gas Pressure Regulator 3/4" - L.P. | 1051 | 1 | 1 | 1 | 1 |