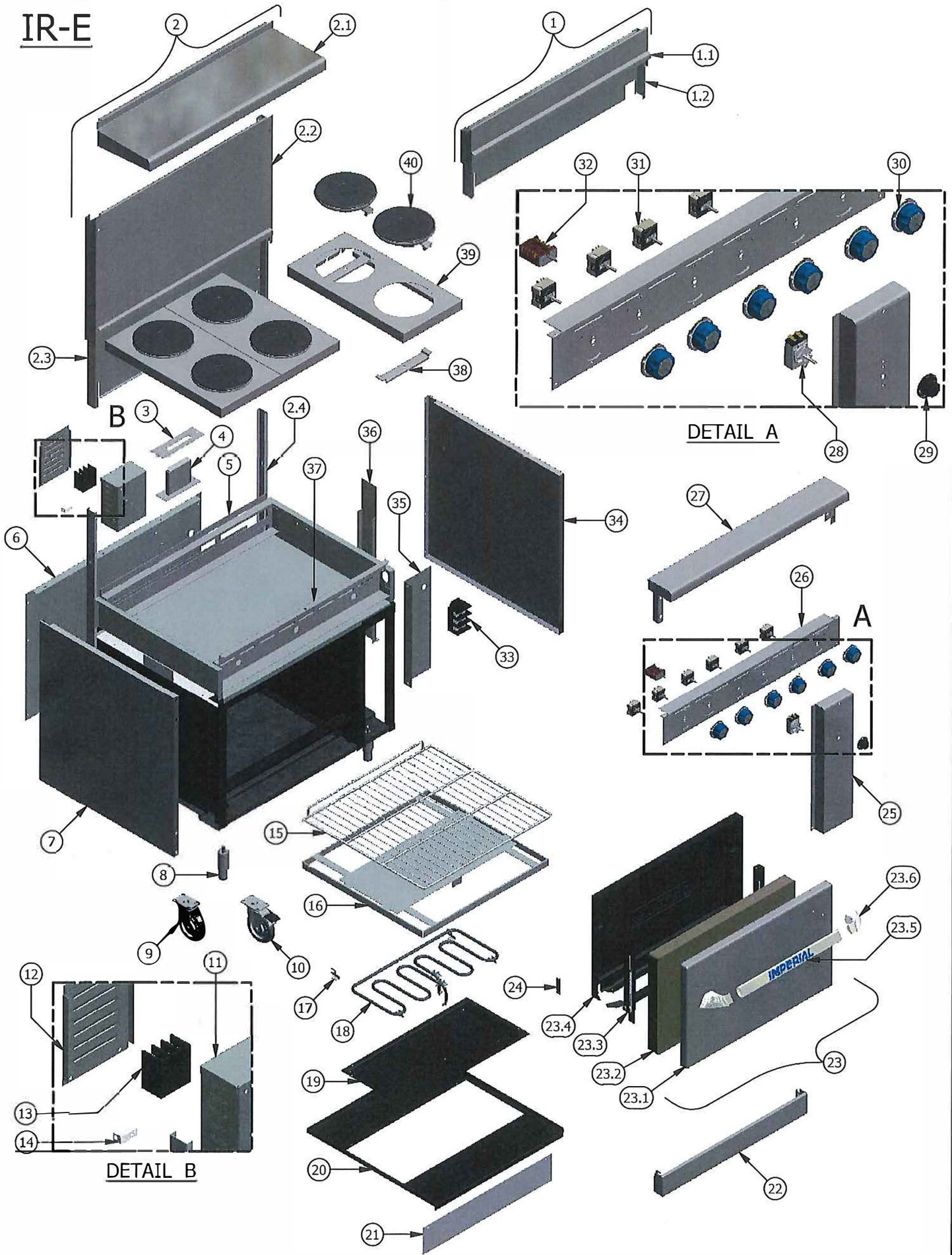


IR-E



IR-E Series

| ITEM | DESCRIPTION | PART NO. | 24" | 36" | 48" | 60" | 72" |
|------------|---|----------|----------|----------|----------|----------|----------|
| 1 | 24" STUB BACK ASSEMBLY (INCLUDES ITEMS 1.1 & 1.2) | 21175 | 1 | - | - | - | - |
| *** | 36" STUB BACK ASSEMBLY (INCLUDES ITEMS 1.1 & 1.2) | 21176 | - | 1 | - | - | - |
| *** | 48" STUB BACK ASSEMBLY (INCLUDES ITEMS 1.1 & 1.2) | 21177 | - | - | 1 | - | - |
| *** | 60" STUB BACK ASSEMBLY (INCLUDES ITEMS 1.1 & 1.2) | 21178 | - | - | - | 1 | - |
| *** | 72" STUB BACK ASSEMBLY (INCLUDES ITEMS 1.1 & 1.2) | 21179 | - | - | - | - | 1 |
| 1.1 | 24" STUB FRONT | 20265 | 1 | - | - | - | - |
| *** | 36" STUB FRONT | 20266 | - | 1 | - | - | - |
| *** | 48" STUB FRONT | 20267 | - | - | 1 | - | - |
| *** | 60" STUB FRONT | 20362 | - | - | - | 1 | - |
| *** | 72" STUB FRONT | 20363 | - | - | - | - | 1 |
| 1.2 | 24" OUTSIDE BACK | 20991 | 1 | - | - | - | - |
| *** | 36" OUTSIDE BACK | 20992 | - | 1 | - | - | - |
| *** | 48" OUTSIDE BACK | 20993 | - | - | 1 | - | - |
| *** | 60" OUTSIDE BACK | 20994 | - | - | - | 1 | - |
| *** | 72" OUTSIDE BACK | 20995 | - | - | - | - | 1 |
| 2 | 24" BACKGUARD ASSEMBLY (INCLUDES ITEMS 2.1 - 2.4) | 21200 | 1 | - | - | - | - |
| *** | 36" BACKGUARD ASSEMBLY (INCLUDES ITEMS 2.1 - 2.4) | 21201 | - | 1 | - | - | - |
| *** | 48" BACKGUARD ASSEMBLY (INCLUDES ITEMS 2.1 - 2.4) | 21202 | - | - | 1 | - | - |
| *** | 60" BACKGUARD ASSEMBLY (INCLUDES ITEMS 2.1 - 2.4) | 21203 | - | - | - | 1 | - |
| *** | 72" BACKGUARD ASSEMBLY (INCLUDES ITEMS 2.1 - 2.4) | 21204 | - | - | - | - | 1 |
| 2.1 | 24" HIGH SHELF TOP | 21190 | 1 | - | - | - | - |
| *** | 36" HIGH SHELF TOP | 21191 | - | 1 | - | - | - |
| *** | 48" HIGH SHELF TOP | 21192 | - | - | 1 | - | - |
| *** | 60" HIGH SHELF TOP | 21193 | - | - | - | 1 | - |
| *** | 72" HIGH SHELF TOP | 21194 | - | - | - | - | 1 |
| 2.2 | 24" HIGH SHELF FRONT | 31645 | 1 | - | - | - | - |
| *** | 36" HIGH SHELF FRONT | 31646 | - | 1 | - | - | - |
| *** | 48" HIGH SHELF FRONT | 31647 | - | - | 1 | - | - |
| *** | 60" HIGH SHELF FRONT | 31648 | - | - | - | 1 | - |
| *** | 72" HIGH SHELF FRONT | 31649 | - | - | - | - | 1 |
| 2.3 | 24" HIGH SHELF BACK | 21195 | 1 | - | - | - | - |
| *** | 36" HIGH SHELF BACK | 21196 | - | 1 | - | - | - |
| *** | 48" HIGH SHELF BACK | 21197 | - | - | 1 | - | - |
| *** | 60" HIGH SHELF BACK | 21198 | - | - | - | 1 | - |
| *** | 72" HIGH SHELF BACK | 21199 | - | - | - | - | 1 |
| 2.4 | IR REINFORCEMENT CHANNEL (SET) | 21130 | 1 | 1 | 1 | 1 | 1 |
| 3 | IR-E FLUE FLASHING | 39092 | 1 | 1 | 2 | 2 | 2 |
| 4 | IR-E FLUE ASSEMBLY | 39091 | 1 | 1 | 2 | 2 | 2 |
| 5 | 24" REAR SUPPORT | 31612 | 1 | - | - | - | - |
| *** | 36" REAR SUPPORT | 31613 | - | 1 | - | - | - |
| *** | 48" REAR SUPPORT | 31614 | - | - | 1 | - | - |
| *** | 60" REAR SUPPORT | 31615 | - | - | - | 1 | - |
| *** | 72" REAR SUPPORT | 31616 | - | - | - | - | 1 |
| 6 | IR-E 24" BACK PANEL | 39169 | 1 | - | - | - | - |
| *** | IR-E 36" BACK PANEL | 39130 | - | 1 | - | - | - |
| *** | IR-E 48" BACK PANEL | 39170 | - | - | 1 | - | - |
| *** | IR-E 60" BACK PANEL | 39171 | - | - | - | 1 | - |
| *** | IR-E 72" BACK PANEL | 39172 | - | - | - | - | 1 |

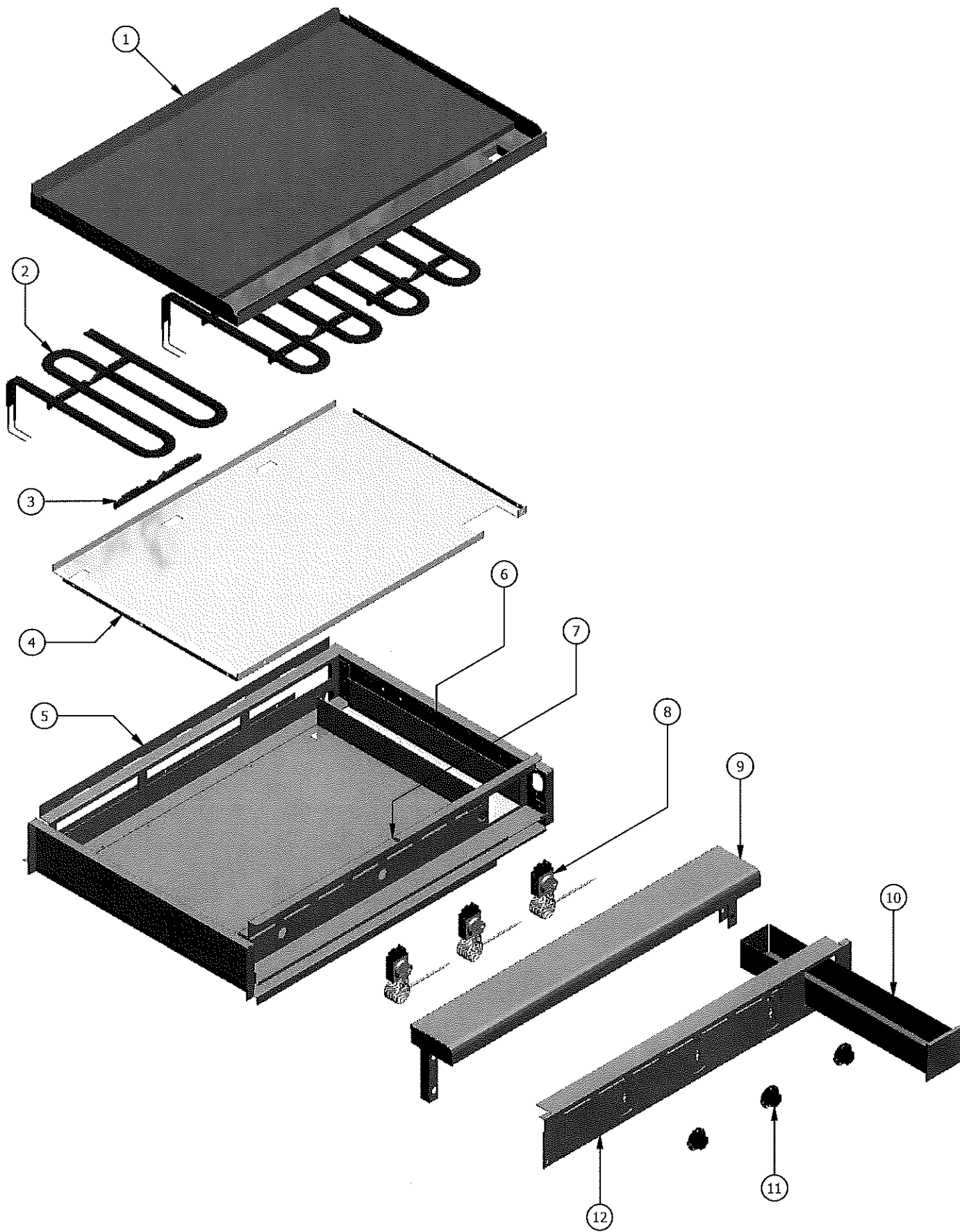
IR-E Series

| ITEM | DESCRIPTION | PART NO. | 24" | 36" | 48" | 60" | 72" |
|------|---|-----------|-----|-----|-----|-----|-----|
| 7 | SIDE PANEL (L/H) | 31617 | 1 | 1 | 1 | 1 | 1 |
| 8 | ADJUSTABLE LEG | 37784 | 4 | 4 | 4 | 4 | 6 |
| 9 | PLATE CASTER WITHOUT BRAKE | 1060 | 2 | 2 | 2 | 2 | 3 |
| 10 | PLATE CASTER WITH BRAKE | 1061 | 2 | 2 | 2 | 2 | 3 |
| 11 | IR-E 36/72 CONTACT BOX L/R | 38650 | - | 1 | - | - | 2 |
| *** | IR-E 24/48/60 CONTACT BOX R/H | 38652 | 1 | - | 1 | 1 | - |
| *** | IR-E 24/48/60 CONTACT BOX L/H | 38656 | - | - | 1 | 1 | - |
| 12 | IR-E 24/36/48/60/72 CONTACT BOX COVER | 38651 | 1 | 1 | 2 | 2 | 2 |
| 13 | ITGE TERMINAL BLOCK | 37073 | 1 | 1 | 2 | 2 | 2 |
| 14 | ITGE - GROUND LUG | 37090 | 1 | 1 | 2 | 2 | 2 |
| 15 | OVEN RACK (20 in. OVEN) | 2120 | 1 | - | 2 | - | - |
| *** | IR-OVEN RACK (26-3/8" X 25") | 2130 | - | 1 | - | 2 | 2 |
| 16 | IR-E 24" HEATING ELEMENT OVEN COVER | 37874 | 1 | - | 1 | - | - |
| *** | IR-E 36" HEATING ELEMENT OVEN COVER | 37661 | - | 1 | - | 2 | 2 |
| 17 | HEATER ELEMENT BRKT. (SET) | 37653 | 1 | 1 | 2 | 2 | 2 |
| 18 | IR-E OVEN ELEMENT 208V | 37493 | 1 | 1 | 2 | 2 | 2 |
| *** | IR-E OVEN ELEMENT 240V | 37493-240 | 1 | 1 | 2 | 2 | 2 |
| *** | IR-E OVEN ELEMENT 480V | 37493-480 | 1 | 1 | 2 | 2 | 2 |
| 19 | 24" HEATING ELEMENT HOLDING BRACKET | 37664 | 1 | - | 2 | - | - |
| *** | 36" HEATING ELEMENT HOLDING BRACKET | 37652 | - | 1 | - | 2 | 2 |
| 20 | 24" BOTTOM LINER | 37663 | 1 | - | 2 | - | - |
| *** | 36" BOTTOM LINER | 37651 | - | 1 | - | 2 | 2 |
| 21 | 24" FRONT BAFFLE | 37665 | 1 | - | 2 | - | - |
| *** | 36" FRONT BAFFLE | 37655 | - | 1 | - | 2 | 2 |
| 22 | 24" KICK PLATE | 20142 | 1 | - | 2 | - | - |
| *** | 36" KICK PLATE | 20143 | - | 1 | - | 2 | 2 |
| 23 | 24" IR DOOR ASSEMBLY (INCLUDES ITEMS 23.1 - 23.6) | 2685 | 1 | - | 2 | - | - |
| *** | 36" IR DOOR ASSEMBLY (INCLUDES ITEMS 23.1 - 23.6) | 2688 | - | 1 | - | 2 | 2 |
| 23.1 | DOOR COVER (20" OVEN) | 2687 | 1 | - | 2 | - | - |
| *** | DOOR COVER (29-1/2" OVEN) | 2689 | - | 1 | - | 2 | 2 |
| 23.2 | DOOR INSULATION (24" OVEN) | 8040-2 | 1 | - | 2 | - | - |
| *** | DOOR INSULATION (29-1/2" OVEN) | 8040-1 | - | 1 | - | 2 | 2 |
| 23.3 | 20" DOOR CLOSING MECHANISM | 20160 | 1 | - | 2 | - | - |
| *** | 26-12" DOOR CLOSING MECHANISM | 20161 | - | 1 | - | 2 | 2 |
| 23.4 | 20" OVEN DOOR LINER (PORCELAINZED) | 9030 | 1 | - | 2 | - | - |
| *** | 26-1/2" OVEN DOOR LINER (PORCELAINZED) | 2128 | - | 1 | - | 2 | 2 |
| 23.5 | 20" OVEN DOOR HANDLE | 36099 | 1 | - | 2 | - | - |
| *** | 26-1/2" OVEN DOOR HANDLE | 36100 | - | 1 | - | 2 | 2 |
| 23.6 | END CAP (R/H) | 36101 | 1 | 1 | 2 | 2 | 2 |
| *** | END CAP (L/H) | 36102 | 1 | 1 | 2 | 2 | 2 |
| 24 | KICK PLATE BRACKET | 30857 | 2 | 2 | 4 | 4 | 4 |
| 25 | IR-E CONTROL PANEL (R/H) | 37654 | - | 1 | - | - | 1 |
| *** | IR-E CONTROL PANEL (L/H) | 39173 | - | - | - | - | 1 |
| 26 | IR-4-E VALVE COVER | 37988 | 1 | - | - | - | - |
| *** | IR-6-E VALVE COVER | 37660 | - | 1 | - | - | - |
| *** | IR-8-E VALVE COVER | 39174 | - | - | 1 | - | - |
| *** | IR-10-E VALVE COVER | 39175 | - | - | - | 1 | - |
| *** | IR-12-E VALVE COVER | 39176 | - | - | - | - | 1 |

IR-E Series

| ITEM | DESCRIPTION | PART NO. | 24" | 36" | 48" | 60" | 72" |
|------|--|----------|-----|-----|-----|-----|-----|
| 27 | 24" LANDING LEDGE ASSEMBLY | 21160 | 1 | - | - | - | - |
| *** | 36" LANDING LEDGE ASSEMBLY | 21161 | - | 1 | - | - | - |
| *** | 48" LANDING LEDGE ASSEMBLY | 21162 | - | - | 1 | - | - |
| *** | 60" LANDING LEDGE ASSEMBLY | 21163 | - | - | - | 1 | - |
| *** | 72" LANDING LEDGE ASSEMBLY | 21164 | - | - | - | - | 1 |
| 28 | IR-E OVEN THERMOSTAT | 37088 | 1 | 1 | 2 | 2 | 2 |
| 29 | IR-E THERMOSTAT DIAL | 37089 | 1 | 1 | 2 | 2 | 2 |
| 30 | TOP ELEMENT CONTROL KNOB (IR-C TIMER KNOB) | 36945 | 4 | 6 | 8 | 10 | 12 |
| 31 | IR-E 208V/240V INFINITE CONTROL | 38246 | 4 | 6 | 8 | 10 | 12 |
| 32 | IHRE-480V 6 POSITION INFINITE CONTROL | 38103 | 4 | 6 | 8 | 10 | 12 |
| 33 | HIGH AMP DISTRIBUTION BLOCK (3 CIRCUIT) | 37637 | 1 | 1 | 2 | 2 | 2 |
| 34 | SIDE PANEL (R/H) | 31618 | 1 | 1 | 1 | 1 | 1 |
| 35 | IR-E COMPONENT MOUNTING PLATE R/H | 39154 | - | 1 | - | - | 1 |
| *** | IR-E COMPONENT MOUNTING PLATE L/H | 39177 | - | - | - | - | 1 |
| 36 | BURNER BOX SUPPORT R/H | 31620 | - | 1 | - | - | 1 |
| *** | BURNER BOX SUPPORT | 31619 | 2 | 1 | 2 | 2 | 1 |
| 37 | IR-E-24" FRONT SUPPORT | 39178 | 1 | - | - | - | - |
| *** | IR-E-36" FRONT SUPPORT | 36717 | - | 1 | - | - | - |
| *** | IR-E-48" FRONT SUPPORT | 39179 | - | - | 1 | - | - |
| *** | IR-E-60" FRONT SUPPORT | 39180 | - | - | - | 1 | - |
| *** | IR-E-72" FRONT SUPPORT | 39181 | - | - | - | - | 1 |
| 38 | TOP ELEMENT BRACKET | 37659 | 4 | 6 | 8 | 10 | 12 |
| 39 | TOP ELEMENT HOLDER | 37658 | 2 | 3 | 4 | 5 | 6 |
| 40 | IR-E 208V HEATING ELEMENT | 37491 | 4 | 6 | 8 | 10 | 12 |
| *** | IR-E 240V HEATING ELEMENT | 37492 | 4 | 6 | 8 | 10 | 12 |
| *** | IR-E 480V HEATING ELEMENT | 37395 | 4 | 6 | 8 | 10 | 12 |

IR-G-E



IR-E GRIDDLE Series

| ITEM | DESCRIPTION | PART NO. | 24" | 36" | 48" | 60" | 72" |
|------|---|-----------|-----|-----|-----|-----|-----|
| 1 | IR-E 24" GRIDDLE PLATE ASSY. (SPECIFY L/H OR R/H) | 39147 | 1 | - | - | - | - |
| *** | IR-E 36" GRIDDLE PLATE ASSY. (SPECIFY L/H OR R/H) | 39148 | - | 1 | - | - | - |
| *** | IR-E 48" GRIDDLE PLATE ASSY. (SPECIFY L/H OR R/H) | 39149 | - | - | 1 | - | - |
| *** | IR-E 60" GRIDDLE PLATE ASSY. (SPECIFY L/H OR R/H) | 39150 | - | - | - | 1 | - |
| *** | IR-E 72" GRIDDLE PLATE ASSY. (SPECIFY L/H OR R/H) | 39151 | - | - | - | - | 1 |
| 2 | IR-E GRIDDLE ELEMENT (208V) | 37378-208 | 2 | 3 | 4 | 5 | 6 |
| *** | IR-E GRIDDLE ELEMENT (240V) | 37378-240 | 2 | 3 | 4 | 5 | 6 |
| *** | IR-E GRIDDLE ELEMENT (480V) | 37378-480 | 2 | 3 | 4 | 5 | 6 |
| 3 | IR-E GRIDDLE ELEMENT HOLDER | 39138 | 4 | 6 | 8 | 10 | 12 |
| 4 | IR-E-24" HEAT SHIELD COVER (SPECIFY L/H OR R/H) | 39157 | 1 | - | - | - | - |
| *** | IR-E-36" HEAT SHIELD COVER (SPECIFY L/H OR R/H) | 39153 | - | 1 | - | - | - |
| *** | IR-E-48" HEAT SHIELD COVER (SPECIFY L/H OR R/H) | 39158 | - | - | 1 | - | - |
| *** | IR-E-60" HEAT SHIELD COVER (SPECIFY L/H OR R/H) | 39159 | - | - | - | 1 | - |
| *** | IR-E-72" HEAT SHIELD COVER | 39160 | - | - | - | - | 1 |
| 5 | 24" REAR SUPPORT | 31612 | 1 | - | - | - | - |
| *** | 36" REAR SUPPORT | 31613 | - | 1 | - | - | - |
| *** | 48" REAR SUPPORT | 31614 | - | - | 1 | - | - |
| *** | 60" REAR SUPPORT | 31615 | - | - | - | 1 | - |
| *** | 72" REAR SUPPORT | 31616 | - | - | - | - | 1 |
| 6 | IR-E-GREASE CAN GUIDE | 39152 | 1 | 1 | 1 | 1-2 | 1-2 |
| 7 | IR-E 24" GRIDDLE FRONT SUPPORT (SPECIFY L/H OR R/H) | 39161 | 1 | - | - | - | - |
| *** | IR-E 36" GRIDDLE FRONT SUPPORT (SPECIFY L/H OR R/H) | 39144 | - | 1 | - | - | - |
| *** | IR-E 48" GRIDDLE FRONT SUPPORT (SPECIFY L/H OR R/H) | 39162 | - | - | 1 | - | - |
| *** | IR-E 60" GRIDDLE FRONT SUPPORT (SPECIFY L/H OR R/H) | 39163 | - | - | - | 1 | - |
| *** | IR-E 72" GRIDDLE FRONT SUPPORT | 39164 | - | - | - | - | 1 |
| 8 | ITGE-THERMOSTAT | 37088 | 2 | 3 | 4 | 5 | 6 |
| 9 | 24" LANDING LEDGE ASSEMBLY | 21160 | 1 | - | - | - | - |
| *** | 36" LANDING LEDGE ASSEMBLY | 21161 | - | 1 | - | - | - |
| *** | 48" LANDING LEDGE ASSEMBLY | 21162 | - | - | 1 | - | - |
| *** | 60" LANDING LEDGE ASSEMBLY | 21163 | - | - | - | 1 | - |
| *** | 72" LANDING LEDGE ASSEMBLY | 21164 | - | - | - | - | 1 |
| 10 | GREASE CAN | 31721 | 1 | 1 | 1 | 2 | 2 |
| 11 | IR-E THERMOSTAT DIAL | 37089 | 2 | 3 | 4 | 5 | 6 |
| 12 | IR-E-GRIDDLE 24" VALVE COVER (SPECIFY L/H OR R/H) | 39165 | 1 | - | - | - | - |
| *** | IR-E-GRIDDLE 36" VALVE COVER (SPECIFY L/H OR R/H) | 39142 | - | 1 | - | - | - |
| *** | IR-E-GRIDDLE 48" VALVE COVER (SPECIFY L/H OR R/H) | 39166 | - | - | 1 | - | - |
| *** | IR-E-GRIDDLE 60" VALVE COVER (SPECIFY L/H OR R/H) | 39167 | - | - | - | 1 | - |
| *** | IR-E-GRIDDLE 72" VALVE COVER (SPECIFY L/H OR R/H) | 39168 | - | - | - | - | 1 |