

CLICK THE PART # TO BRING YOU TO THE ITEM PAGE!



**SPARE PARTS MANUAL
VRD43**





**COVERS ALL VRD43 R134 MODELS
EMS UNITS USE THE BELOW**

**EMS TEMP CONTROLLER No
longer available replace with
[2074801](#)**

CONTENT

1. General assembly
2. Evaporator Unit
3. Condenser Unit
4. Door assembly
5. Wiring Diagrams

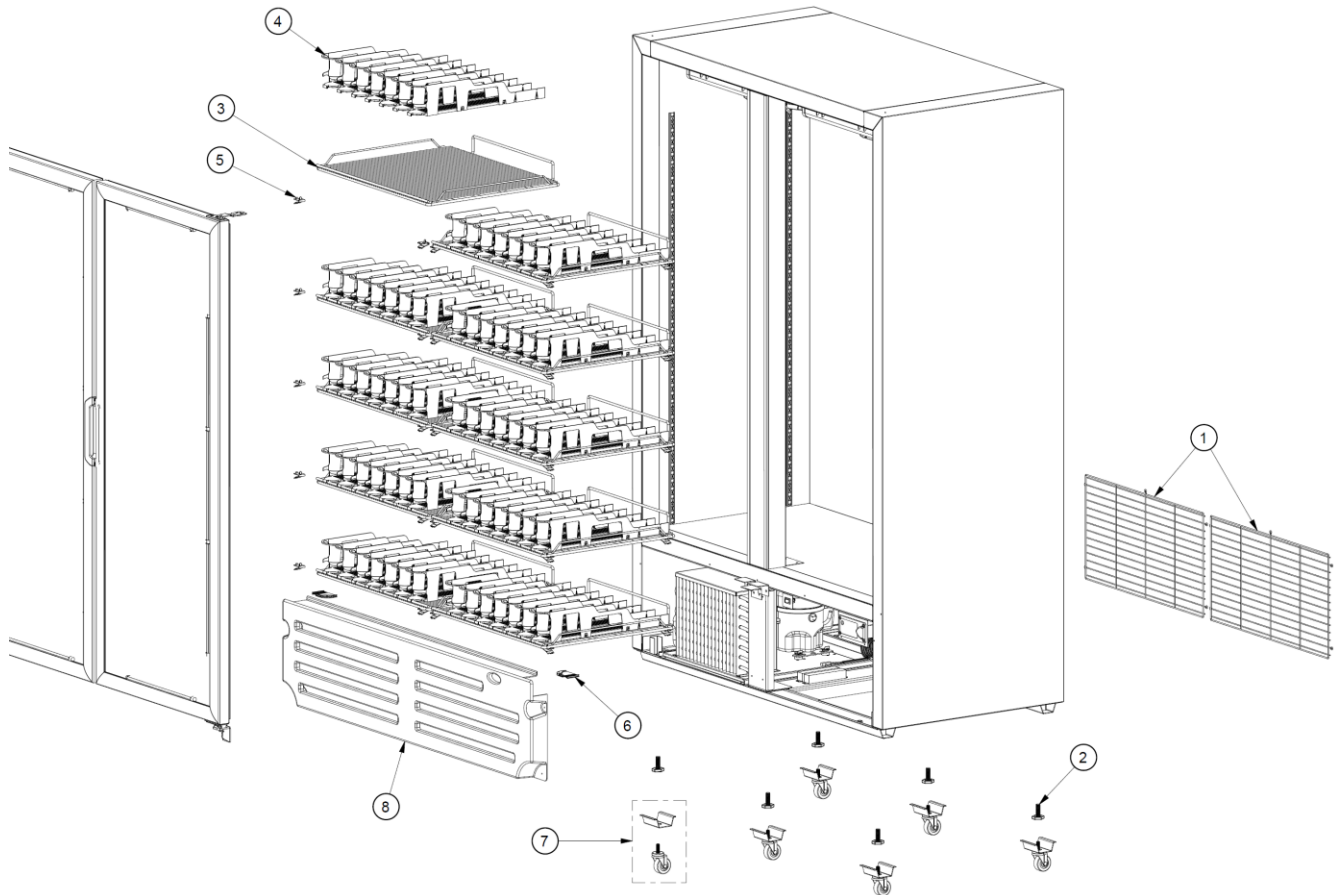
East Coast Tech Support

Terry Hill
Field Service Support Supervisor
(678)293-8305 -Office
(267)254-6904 CELL
Terry.Hill@ImberaCooling.com

West Coast Tech Support

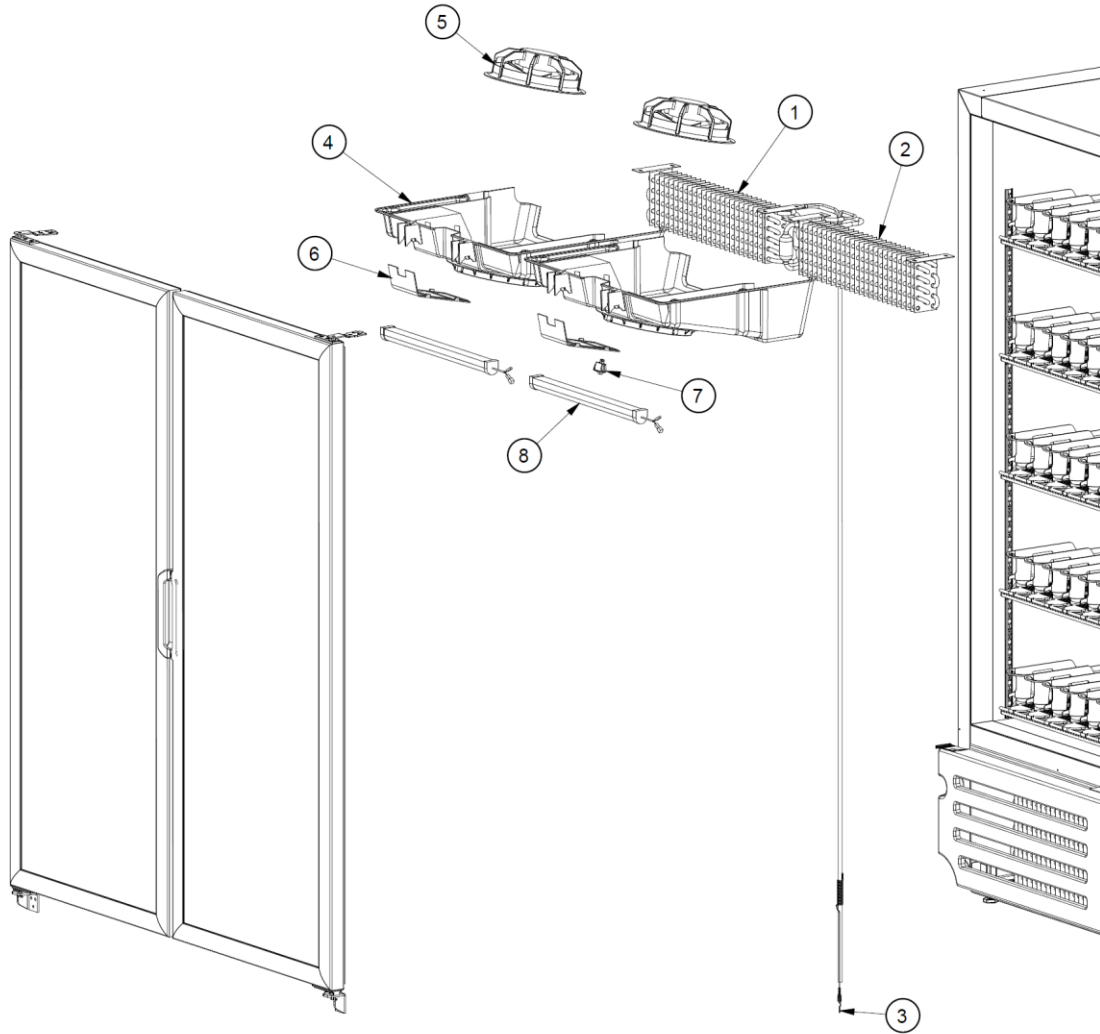
Cesar Castillo
Field Service Engineer, West Coast
1-559-299-1083 Office
1-559-326-9177 Cell
Cesar.castillosantizo@imberacooling.com

1. General assembly



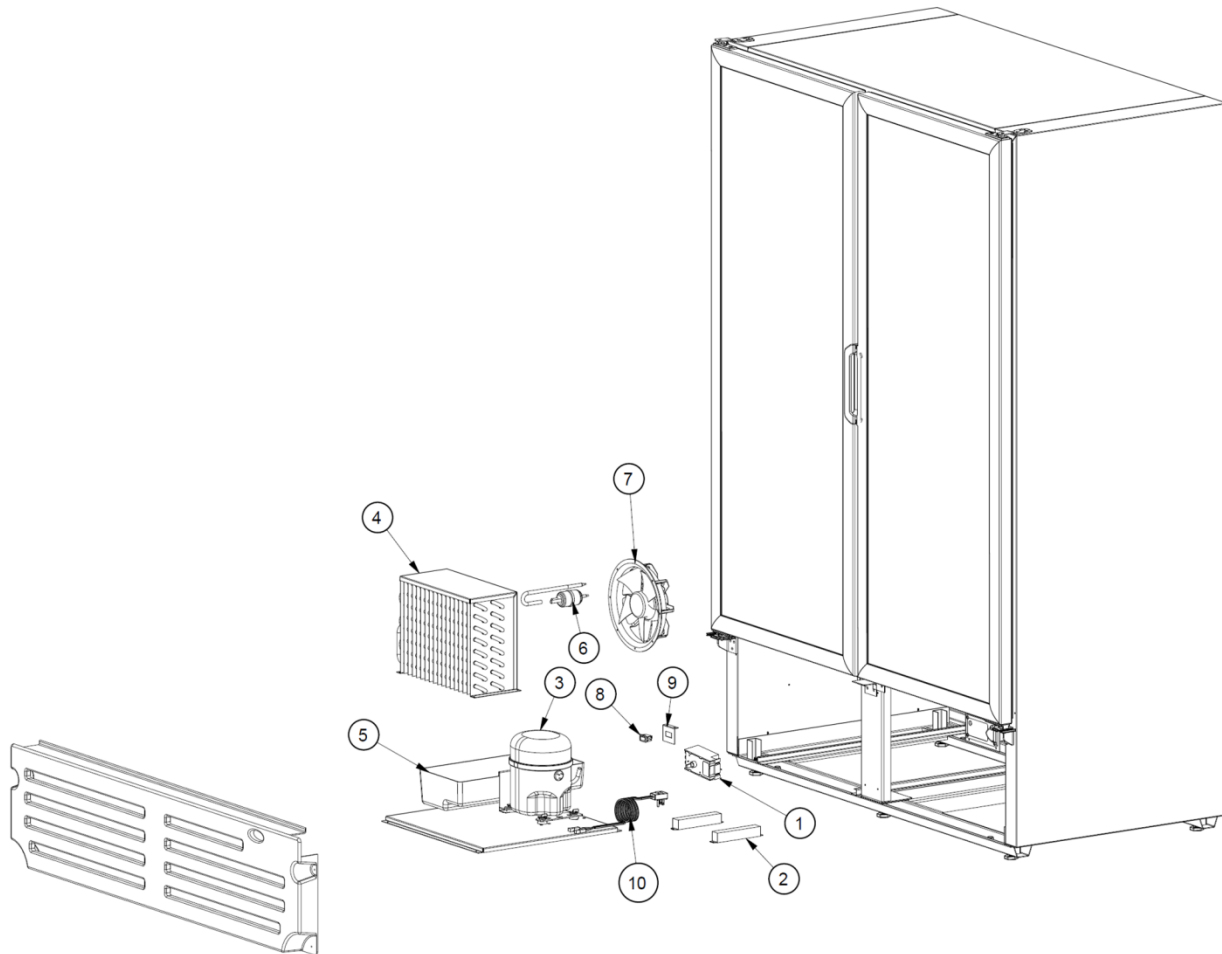
<i>Item</i>	<i>Part #</i>	<i>Description</i>
1	2024709	BACK GRILL VR43 LEVELING
2	2016557	FEET
3	2024713	SHELF VR43
4	2033139	KIT VISISLIDE LOW VR43
5	2029837	SHELF CLIP (PACK OF 4)
7	2031556	CASTER KIT DOUBLE DOOR
8	2025910	FRONT GRILL VRD43

2. Evaporator Unit



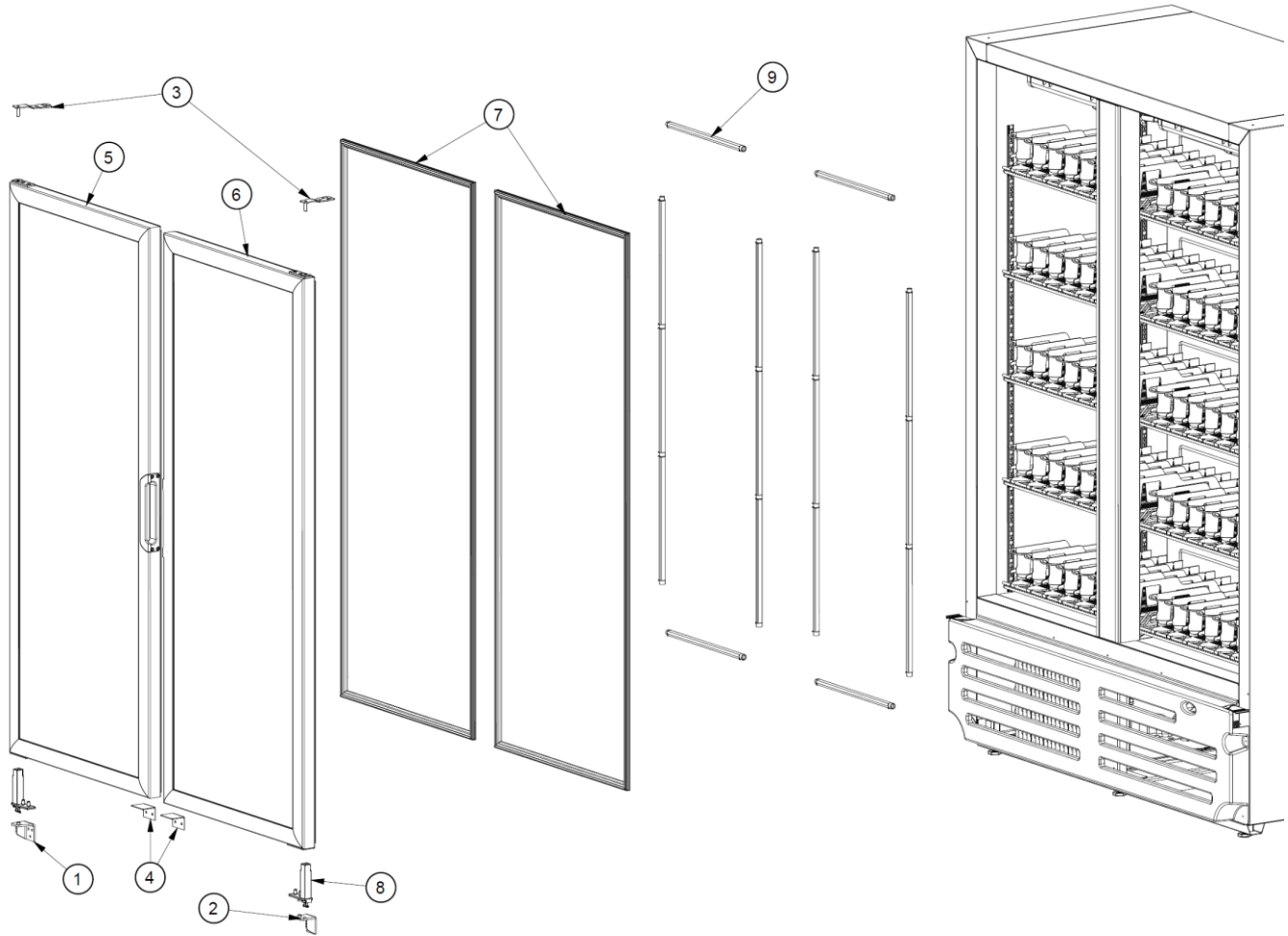
<i>Item</i>	<i>Part #</i>	<i>Description</i>
1	2024693	RIGHT EVAPORATOR COIL VR43
2	2024694	LEFT EVAPORATOR COIL VR43
3	2024695	CAP TUBE VR43
4	2016772	EVAPORATOR HOUSING G313*19
5	2022630	EVAPORATOR*CONDENSER FAN MOTOR G319 V10
6	2016586	EVAPORATOR HOUSING COVER G313*19
7	2016558	SWITCH ROCKER BLACK
8	2024698	HEADER LAMP VR43

3. Condenser Unit



Item	Part #	Description
1	2016547	ELECTR TEMP CONTROL
2	2024697	LED DRIVER VR43
3	2024706	COMPRESSOR VR43
4	2024705	CONDENSER COIL 32T
5	2024707	CONDENSATE PAN 6LT
6	2055229	FILTER DRIER VAL22TDV
7	2022630	EVAPORATOR*CONDENSER FAN MOTOR G319 V10
8	2016558	SWITCH ROCKER BLACK
9	2024708	SWITCH SUPPORT
10	2016559	POWERCORD 15 AMP 10 FT

4. Door



Item	Part #	Description
1	2024703	LEFT HINGE BRACKET VR43
2	2022622	HINGE BOTTOM G319 UL V10
3	2016574	TOP HINGE
4	2024704	DOOR SUPPORT
5	2024711	LEFT DOOR VR43
6	2024710	RIGHT DOOR VR43
7	2024712	DOOR GASKET VR43
8	2043365	SELF CLOSING HINGE
9	2024699	DOOR LEDS

5. Wiring Diagram

