

REV.00

General Assembly

Included Models

ENF VR08 C BMAD R6 UL LED EXPFOODSERVICE

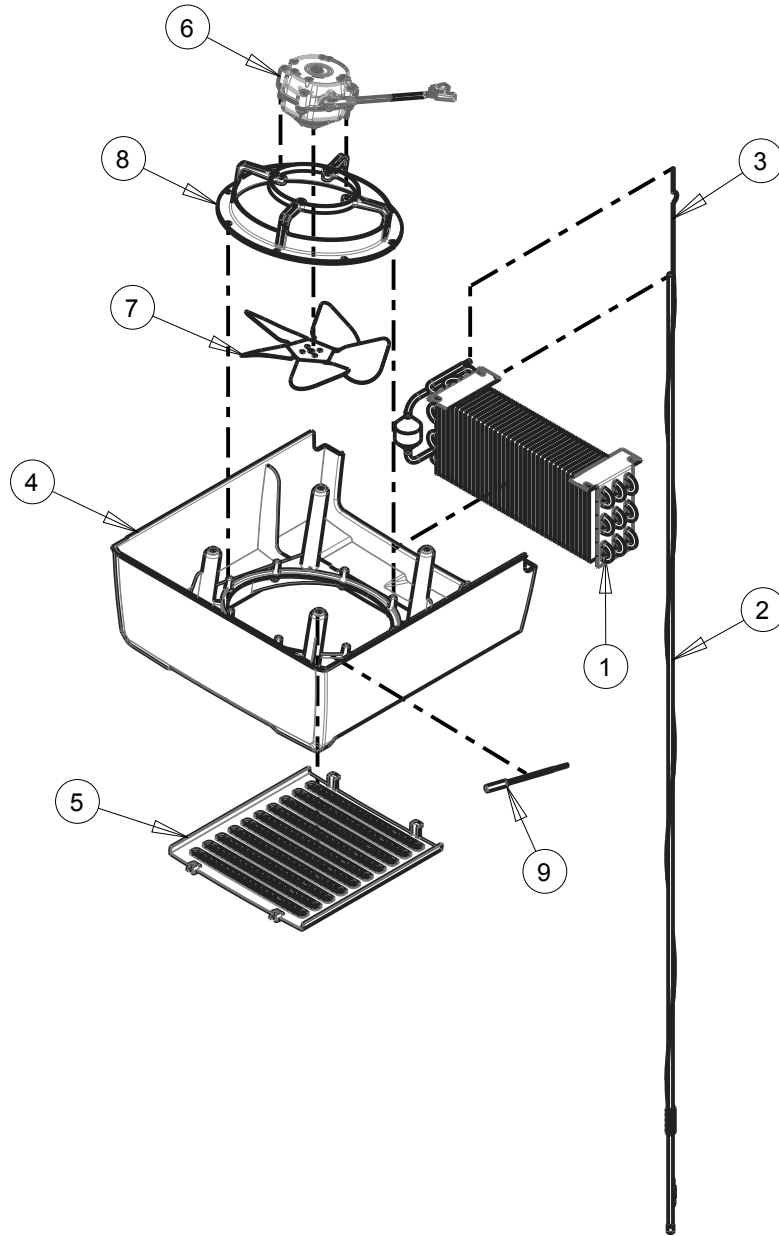
1020339

Item	Internal Code	Spare Part Code	Description
1	3021996	2086927	GROMMET
2	3027966	2086955	PILASTER
3	3022313	2017303	ANTI-VACUUM MOULDING
4	2050383	2086956	RIGHT WIRE COVER
5	2050384	2030064	LEFT WIRE COVER
6	2000442	2072758	DEFLECTOR MOLDING
7	2038149	2076344	MOLD DEFLECTOR SUPPORT
8	3035053	2076488	WIRE COVER
9	3044252	2076349	PANEL SUPPORT
10	3001457	2065052	SWITCH
11	3052756	2065364	TEMPERATURE CONTROL
12	3017428	2065076	CONTROL KNOB
13	3052103	2076368	DRIVER 24W
14	3023211	2065162	HINGE COVER
15	3022239	2065163	POWER CORD
16	3000058	2030058	BACK GRILL
17	3021538	2073980	SHELF
18	3041575	2065346	CLIP F/PILASTER
19	3017492	2016589	THERMOMETER
20	3022238	2065360	LEVELING LEG
21	3001490	2076878	WALL SPACER
22	2050386	2075592	FRONT GRILL
23	3043769	2076494	CONTROL SUPPORT
*	3055142	2086034	MAIN HARNESS
*	3055143	2073989	COMPRESSOR HARNESS

REV.00

General Assembly

Included Models ENF VR08 C BMAD R6 UL LED EXPFOODSERVICE 1020339



REV.00

Evaporator Unit

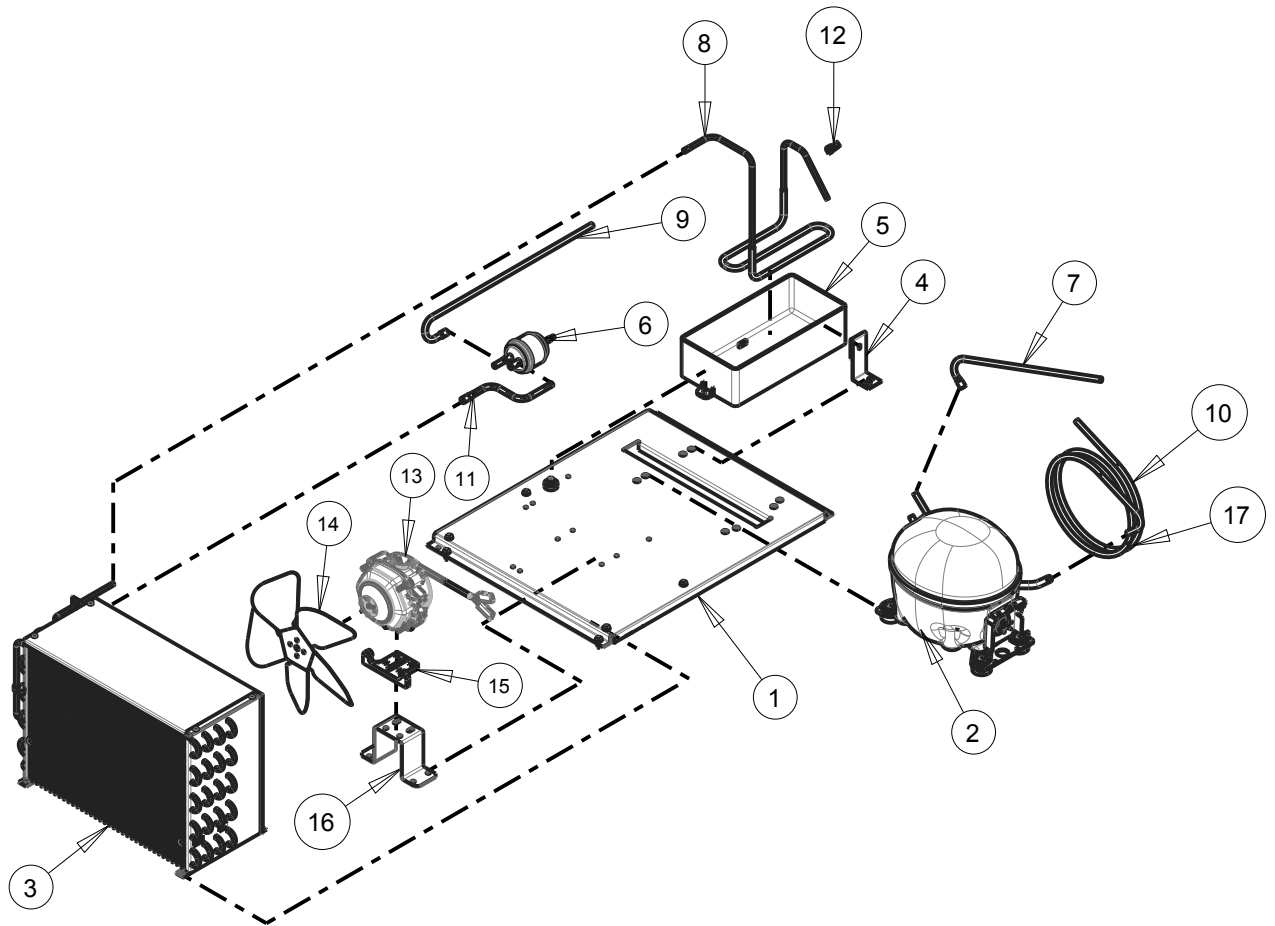
Included Models      ENF VR08 C BMAD R6 UL LED EXPFOODSERVICE      1020339

Item	Internal Code	Spare Part Code	Description
1	3055182	<a href="#">2081336</a>	EVAPORATOR
2	2066110	2073246	RETURN PIPE
3	3038210	<a href="#">2065057</a>	CAPILLARY TUBE, 0.036"X120"
4	2045437	2072763	EVAP HOUSING
5	2044821	<a href="#">2068676</a>	EVAP HOUSING COVER
6	3052236	<a href="#">2065322</a>	EVAP FAN MOTOR
7	3024837	<a href="#">2021790</a>	EVAP FAN BLADE
8	3023907	<a href="#">2021792</a>	MOTOR EVAP SUPPORT
9	3031133	<a href="#">2065184</a>	TEMPERATURE SENSOR

REV.00

Evaporator Unit

Included Models      ENF VR08 C BMAD R6 UL LED EXPFOODSERVICE      1020339



REV.00

Condenser Unit

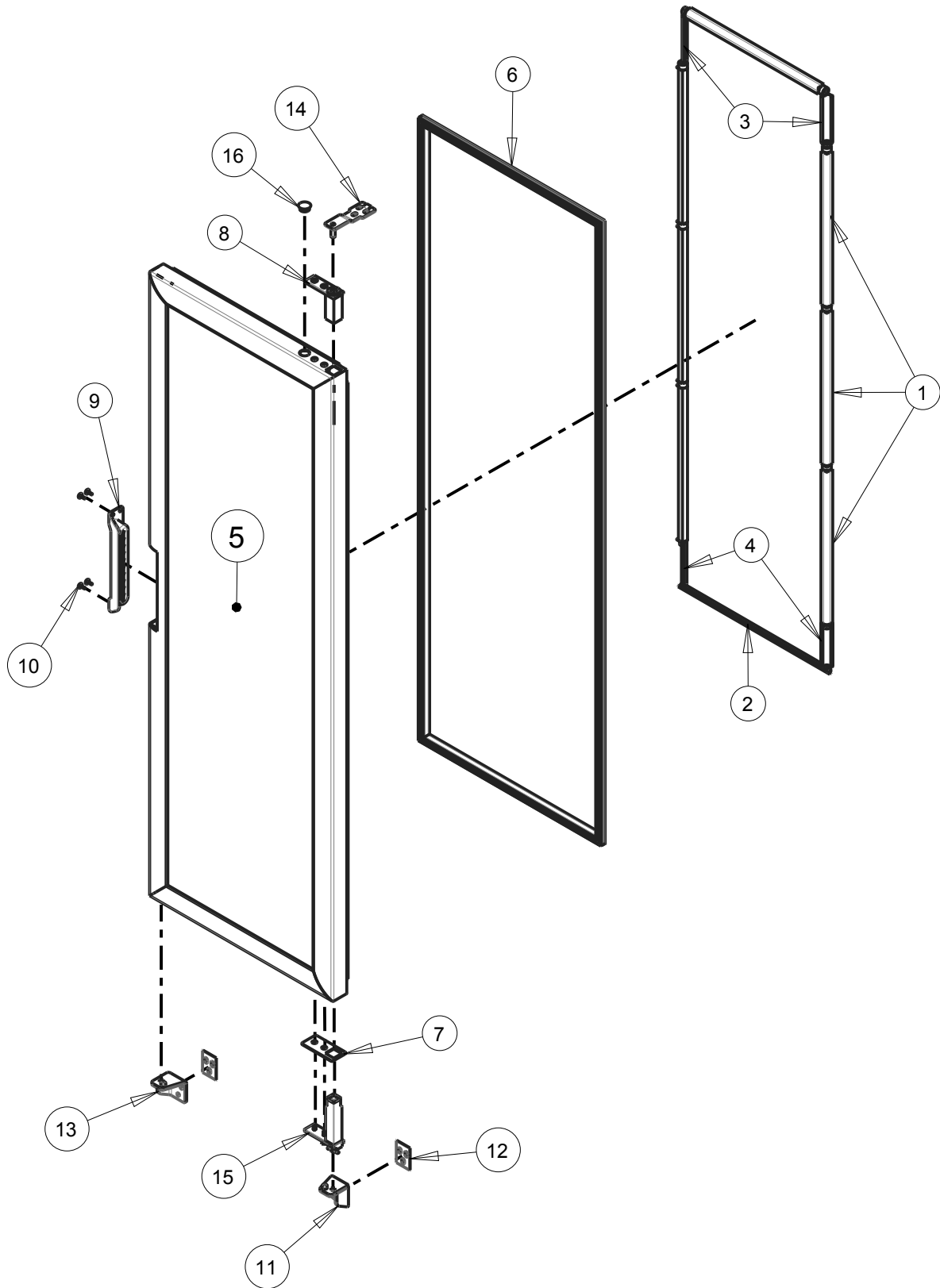
Included Models      ENF VR08 C BMAD R6 UL LED EXPFOODSERVICE      1020339

Item	Internal Code	Spare Part Code	Description
1	2053768	2086957	COMPRESSOR BASE
2	3053800	<a href="#">2073988</a>	COMPRESSOR
3	2045114	<a href="#">2065073</a>	CONDENSER
4	2003751	2045838	COND PAN SUPPORT
5	3000813	2035825	CONDENSATE PAN
6	3043930	<a href="#">2065116</a>	FILTER DRIER
7	2021863	2072762	VACCUM PIPE
8	2066109	2073245	DISCHARGE PIPE
9	2004304	<a href="#">2063503</a>	VACCUM PIPE
10	2066108	2073244	SUCTION LINE
11	2034629	2086038	FILTER TUBE
12	3037478	2083587	PIPE SUPPORT
13	3052236	<a href="#">2065322</a>	COND FAN MOTOR
14	3024837	<a href="#">2021790</a>	COND FAN BLADE
15	3039514	<a href="#">2065362</a>	MOTOR EVAP SUPPORT
16	3038299	2073981	MOTOR STAND
17	3000807	2077326	PIPE INSULATION

REV.00

Condenser Unit

Included Models      ENF VR08 C BMAD R6 UL LED EXPFOODSERVICE      1020339



REV.00

Puerta

Included Models ENF VR08 C BMAD R6 UL LED EXPFOODSERVICE

1020339

Item	Internal Code	Spare Part Code	Description
1	3051065	<a href="#">2065047</a>	LED MODULE
2	2029000	2087016	MOULDING GLASS FIXER COVER
3	2031726	2077038	MOULDING GLASS FIXER COVER
4	2064663	2088776	MOULDING GLASS FIXER COVER
5	2024003	2088777	GLASS DOOR
6	3040959	<a href="#">2021788</a>	GASKET
7	3028538	2077415	REINFORCEMENT
8	3044866	2076112	DOOR BUSHING
9	2018749	2076375	PLASTIC DOOR HANDLE
10	3027788	2081335	REMOVABLE RIVET
11	3052961	2076369	BOTTOM HINGE
12	3043342	2076346	REINFORCEMENT
13	3052962	2076110	BOTTOM HINGE
14	3023206	<a href="#">2065356</a>	TOP HINGE
15	3043569	<a href="#">2055558</a>	SELF CLOSING
16	3023352	2077329	STOPPER
*	3046324	2076105	F-M MODULE HARNESS "Y"
*	3051220	2075742	F-M MODULE HARNESS

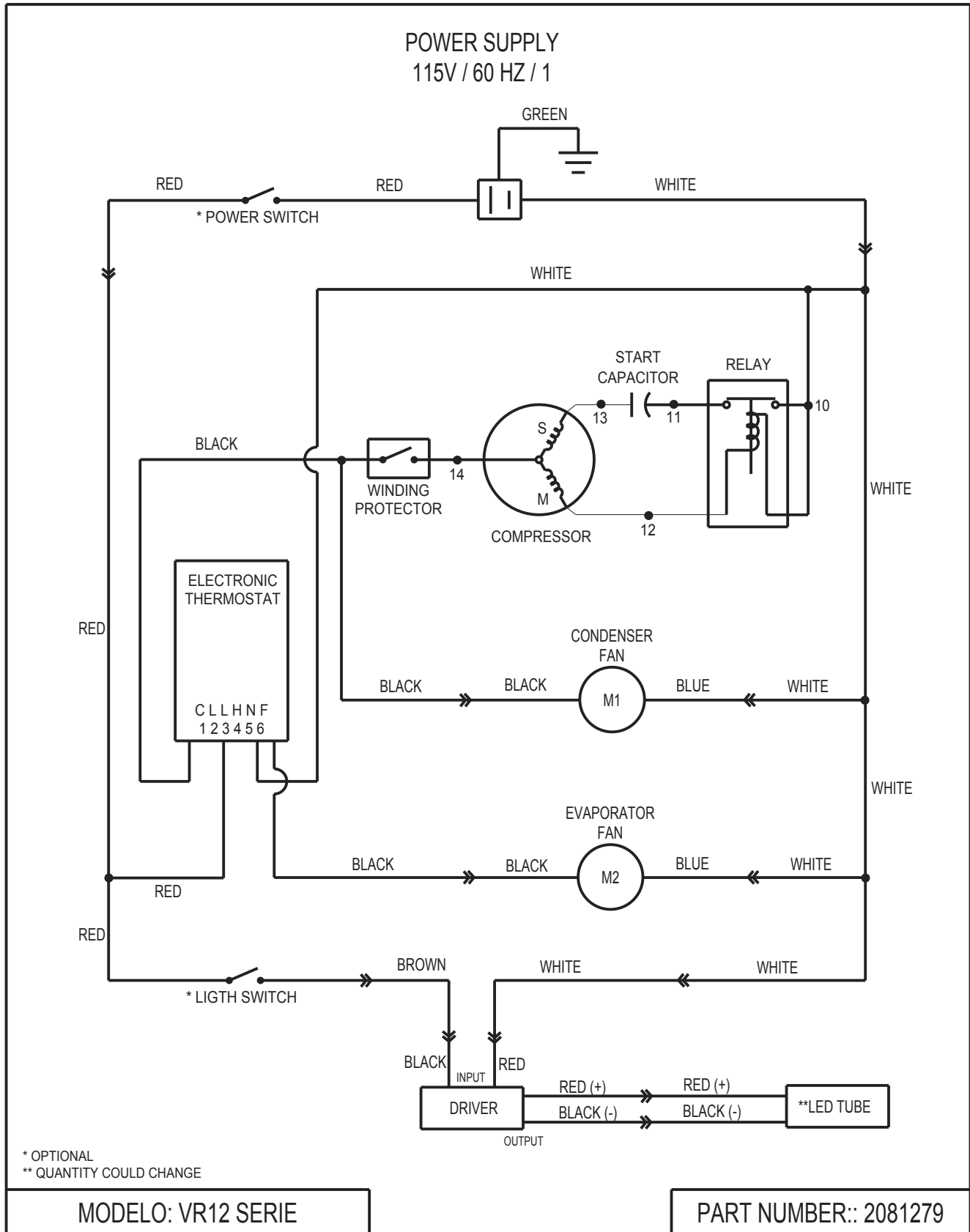
REV.00

Puerta

Included Models

ENF VR08 C BMAD R6 UL LED EXPFOODSERVICE

1020339



REV.00

Wiring Diagram

Included Models

ENF VR08 C BMAD R6 UL LED EXPFOODSERVICE

1020339