

REV.00

General Assembly

Included Models CON VFS24 C BMAD R2 UL EC LEDEXPRESNEGFS 1023226

Item	Internal Code	Spare Part Code	Description
1	3042645	2076411	PILASTER
2	2089344	2091435	RIGHT TUBE COVER
3	2086197	2089506	HIGH IMP MOULDING
4	2038149	2076344	MOLD DEFLECTOR SUPPORT
5	2040528	2077040	DEFLECTOR MOLDING
6	3054795	2078389	REMOTE DPLAY WIRE
7	3030429	2076341	MAGNETIC SWITCH
8	3024322	2077330	INTERLOCK, MAG SWITCH
9	3042320	2089510	CLIP P/SWITCH
10	3017479	2024708	SUPPORT SWITCH
11	3001457	2065052	SWITCH
12	3044252	2076349	PANEL SUPPORT
13	2085942	2089496	TEMPERATURE CONTROL
14	3036890	2076370	CONTROL BOX
15	3044178	2085665	TUBE COVER
16	3059250	2089531	LED DRIVER 7W
17	3060203	2089533	RELAY
18	3001043	2078624	GROMMET
19	3057415	2089518	BOX SUPPORT
20	3025496	2077048	DPLAY MOTHERBOARD
21	3024275	2077061	DPLAY BASE
22	3018077	2077060	PANEL COVER
23	3036808	2084846	BOX SUPPORT
24	3052103	2076368	DRIVER 24W
25	3057414	2089523	POWER CORD

REV.00

General Assembly

Included Models CON VFS24 C BMAD R2 UL EC LEDEXPRESNEGFS 1023226

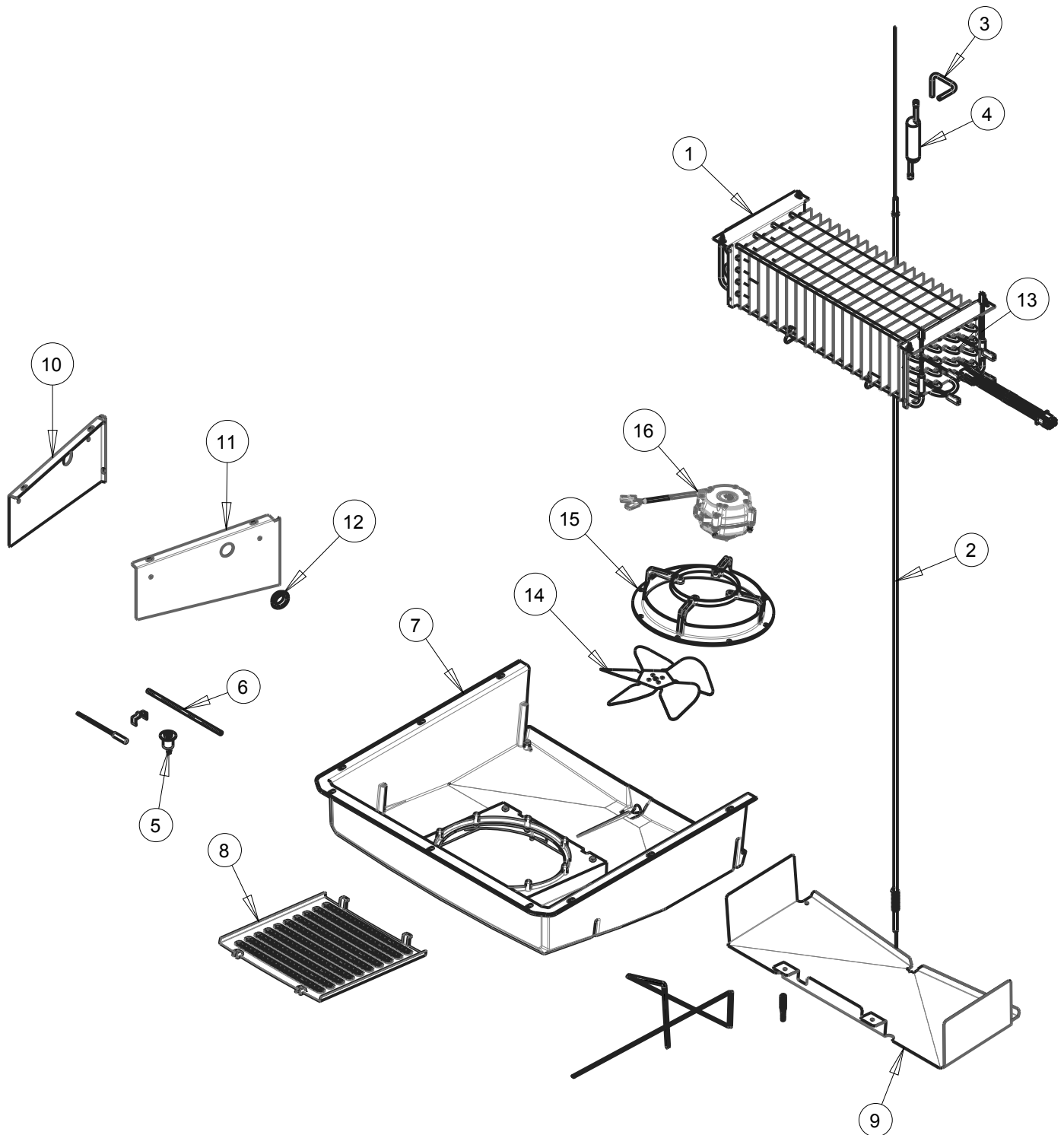


Item	Internal Code	Spare Part Code	Description
26	3059715	2076123	BACK GRILL
27	3058094	2091450	SHELF
28	3033894	2076116	CLIP F/PILASTER
29	3049335	2057384	BOTTOM SHELF
30	3058274	2078393	DRAWER SHELF
31	3065368	2091451	PRODUCT SEPARATOR
32	3017492	2016589	THERMOMETER
33	3022238	2065360	LEVELING LEG
34	3001490	2076878	WALL SPACER
35	2067447	2077041	FRONT GRILL
*	3057556	2089524	COMPRESSOR HARNESS
*	3057557	2089526	EVAPORATOR HARNESS W/ SENSOR
*	3057574	2089529	MAIN HARNESS
*	3063708	2089546	SENSOR HARNESS
*	3063226	2089544	RESISTOR HARNESS

REV.00

General Assembly

Included Models      CON VFS24 C BMAD R2 UL EC LEDEXPRESNEGFS      1023226



REV.00

Evaporator Unit

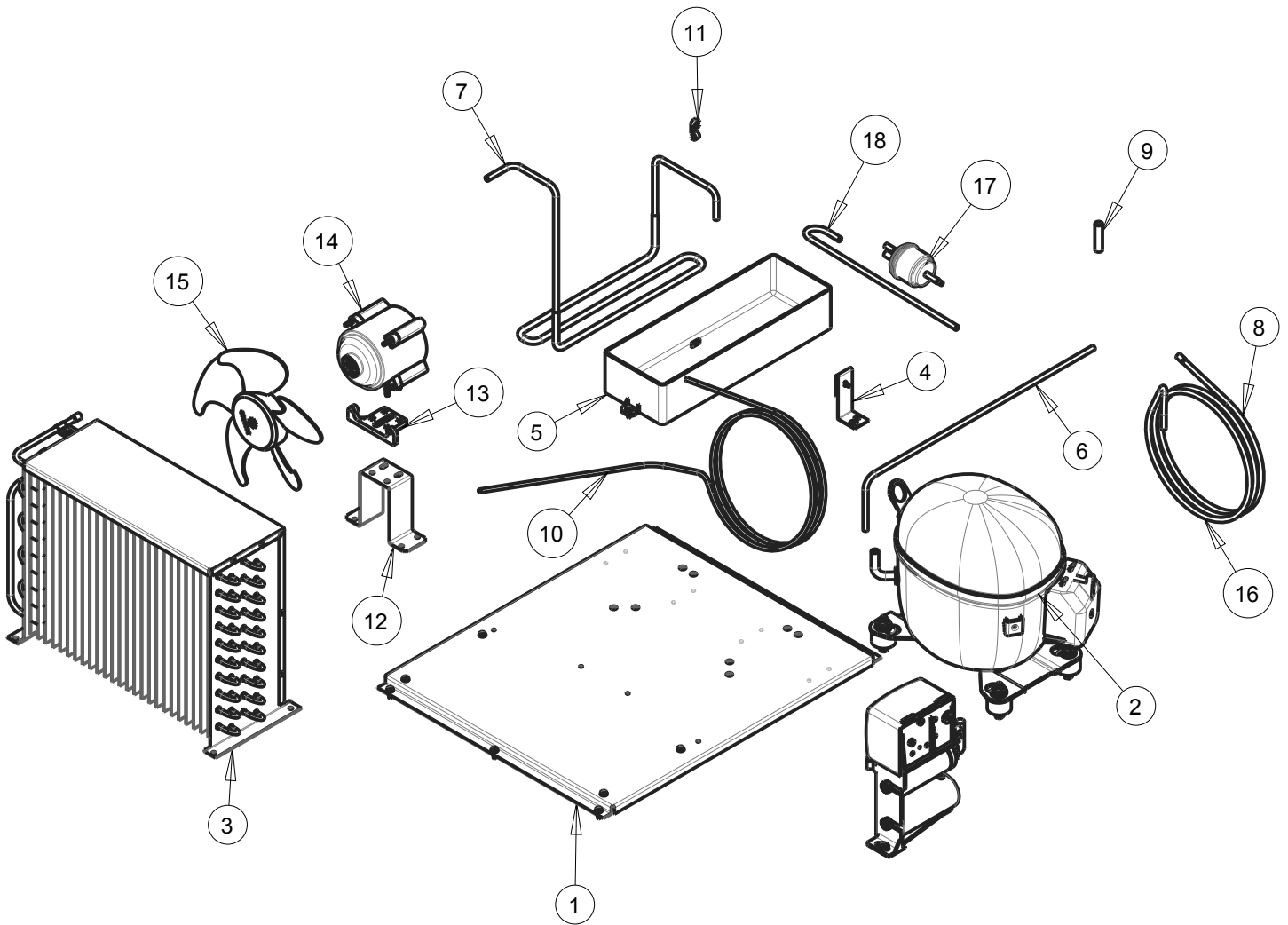
Included Models CON VFS24 C BMAD R2 UL EC LEDEXPRESNEGFS 1023226

Item	Internal Code	Spare Part Code	Description
1	2087073	2091441	EVAPORATOR
2	2069541	2089490	RETURN PIPE
3	2069543	2089491	RETURN PIPE
4	3051851	2065308	ACUMMULATOR
5	3048713	2078824	BIMETAL DISC
6	2049639	2089486	COND PIPE
7	2069773	2091444	EVAP HOUSING
8	2075560	2078478	EVAP HOUSING COVER
9	3057356	2089519	EVAP DRAIN PAN
10	3061608	2089534	AIR DEVIATOR
11	3061627	2089539	AIR DEVIATOR
12	3001043	2078624	GROMMET
13	3062410	2089542	EVAP RESISTOR
14	3037464	2065102	EVAP FAN BLADE
15	3023907	2021792	MOTOR EVAP SUPPORT
16	3023792	2065067	EVAP FAN MOTOR

REV.00

Evaporator Unit

Included Models      CON VFS24 C BMAD R2 UL EC LEDEXPRESNEGFS      1023226



REV.00

Condenser Unit

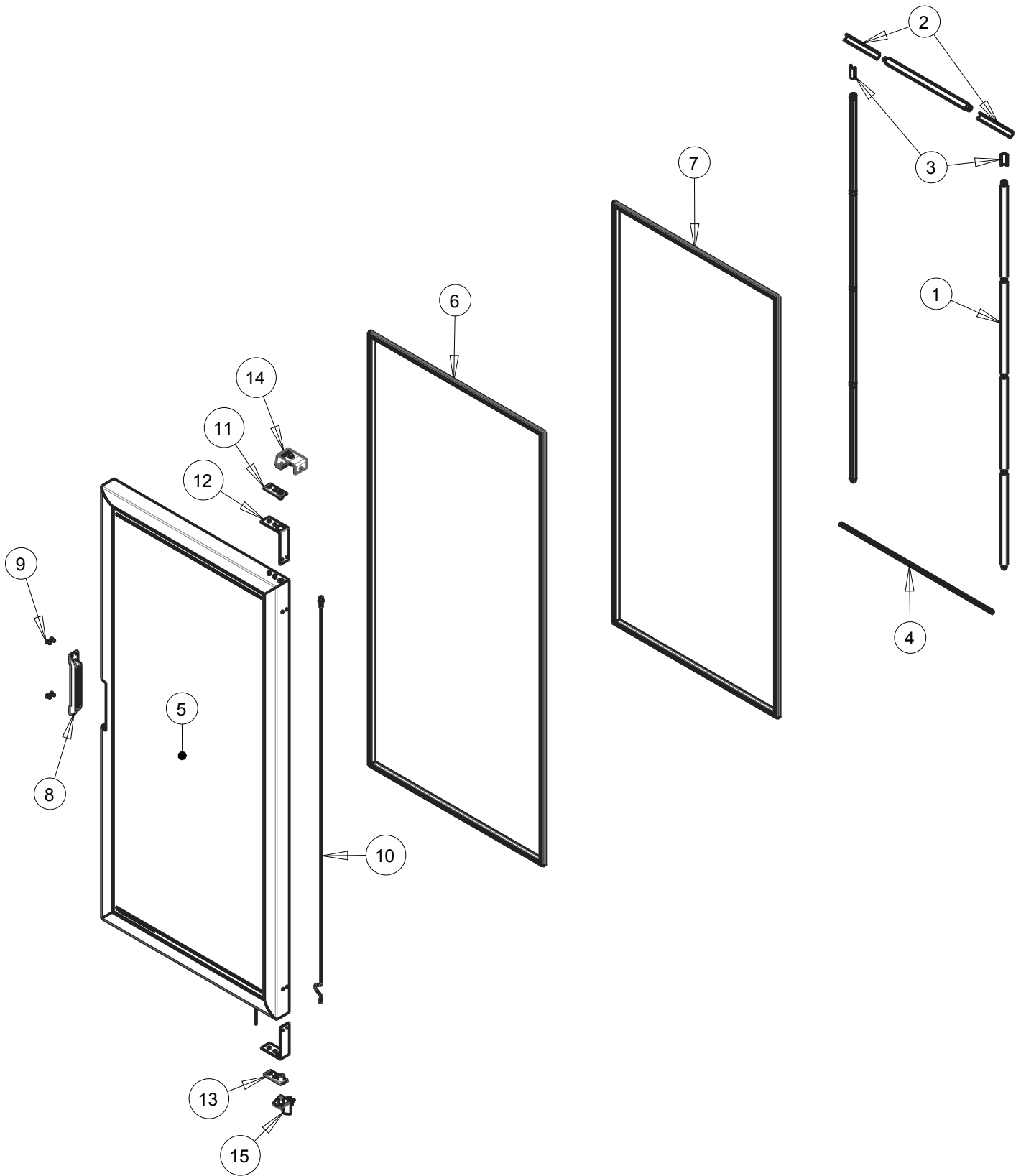
Included Models CON VFS24 C BMAD R2 UL EC LEDEXPRESNEGFS 1023226

Item	Internal Code	Spare Part Code	Description
1	2029231	2077036	COMPRESSOR BASE
2	3046805	2089511	COMPRESSOR
3	3057357	2089520	CONDENSER
4	2003751	2045838	COND PAN SUPPORT
5	3000814	2065072	CONDENSATE PAN
6	2035821	2077039	CHARGE PIPE
7	2058026	2089488	DISCHARGE PIPE
8	2069547	2089493	SUCTION LINE
9	2034118	2091448	COND PIPE
10	2087054	2091449	HEATING PIPE
11	3037478	2083587	PIPE SUPPORT
12	3033267	2077074	MOTOR STAND
13	3027277	2016551	MOTOR EVAP SUPPORT
14	3023792	2065067	COND FAN MOTOR
15	3023793	2017317	COND FAN BLADE
16	3000807	2077326	PIPE INSULATION
17	3043930	2065116	FILTER DRIER
18	2030264	2076400	VACCUM PIPE

REV.00

Condenser Unit

Included Models CON VFS24 C BMAD R2 UL EC LEDEXPRESNEGFS 1023226



REV.00

Door

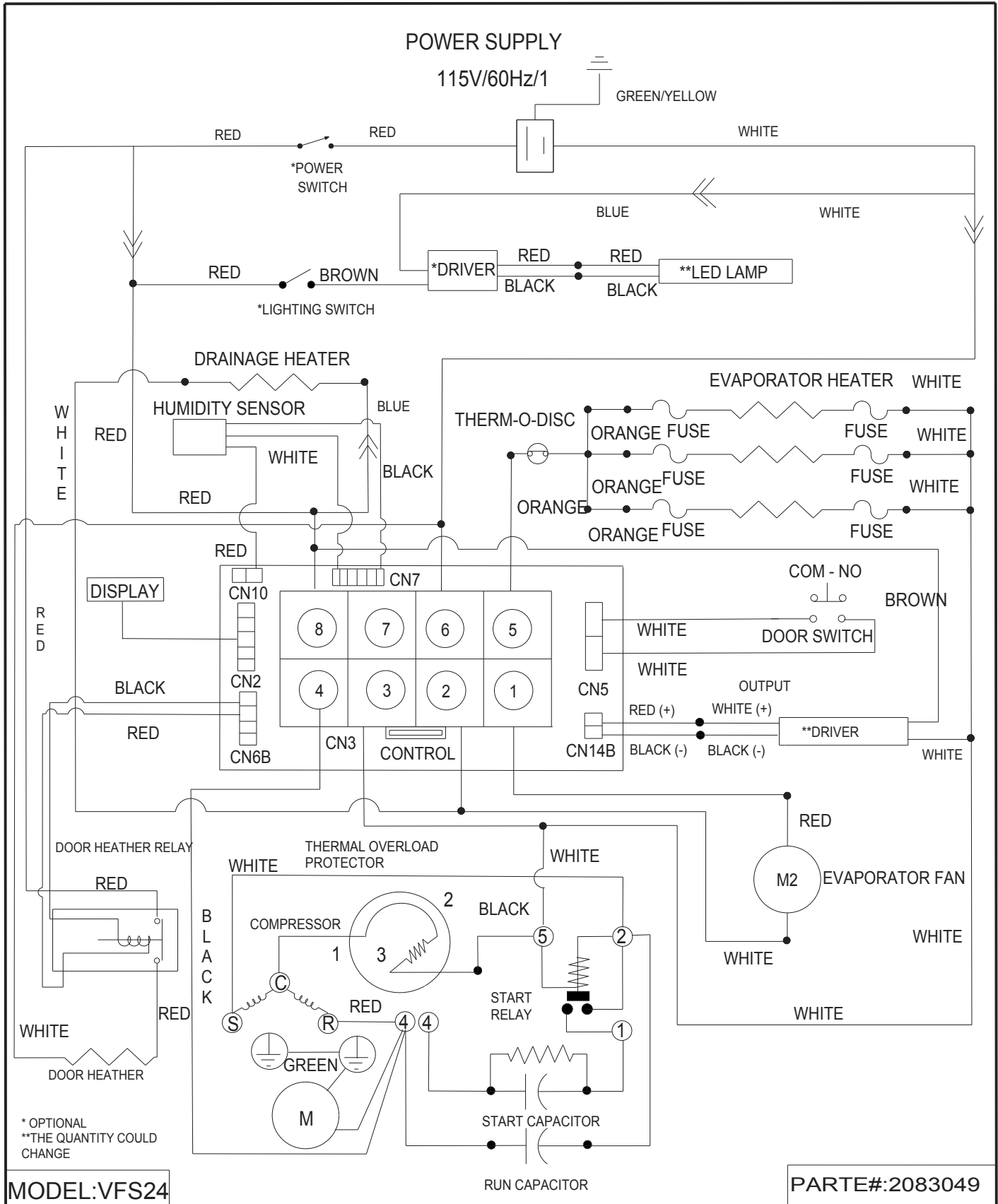
Included Models CON VFS24 C BMAD R2 UL EC LEDEXPRESNEGFS 1023226

Item	Internal Code	Spare Part Code	Description
1	3051065	2065047	LED MODULE
2	2079062	2082177	MOULDING GLASS FIXER COVER
3	2066968	2089489	MOULDING GLASS FIXER COVER
4	2054439	2089487	MOULDING GLASS FIXER COVER
5	2090984	2098997	GLASS DOOR RIGHT
6	3042507	2055230	GASKET EXTERNAL
7	3042510	2045861	GASKET INTERNAL
8	2018749	2076375	PLASTIC DOOR HANDLE
9	3027788	2081335	REMOVABLE RIVET
10	3066158	2097108	SELF CLOSING
11	3031838	2075591	DOOR BUSHING
12	3039720	2078626	REINFORCEMENT
13	3035612	2094659	DOOR BUSHING
14	3066157	2094658	TOP HINGE RIG
15	3065939	2094657	BOTTOM HINGE
*	3051220	2075742	F-M MODULE HARNESS
*	3051218	2065369	F-DRIVER MODULE HARNESS

REV.00

Door

Included Models      CON VFS24 C BMAD R2 UL EC LEDEXPRESNEGFS      1023226



REV.00

Wiring Diagram

Included Models

CON VFS24 C BMAD R2 UL EC LEDEXPRESNEGFS

1023226