

REV.00

General Assembly

Included Models

ENF VFD43 C BMAD R2 UL EC LED EXP RES FS

1022432

Item	Internal Code	Spare Part	Description
1	3017373	2080114	PILASTER
2	3044137	<a href="#">2055505</a>	ANTI-VACUUM VALVE
3	3056241	2078071	GASKET ANTI-VACUUM VALVE
4	2077809	2103915	TUBE COVER
5	2077813	2096858	WIRE COVER
6	3060905	2103930	WIRE COVER SUPPORT
7	2086197	2089506	HIGH IMP MOULDING
8	2038149	2076344	MOLD DEFLECTOR SUPPORT
9	2000026	2091398	DEFLECTOR MOLDING
10	2077824	2103916	FRONTAL POLE
11	3035296	2072772	LOCK KIT
12	3044178	2085665	TUBE COVER
13	3060203	2089533	RELAY
14	3035053	2076488	WIRE COVER
15	3017479	<a href="#">2024708</a>	MAGNETIC SUPPORT SWITCH
16	3030429	<a href="#">2076341</a>	MAGNETIC SWITCH
17	3024322	2077330	INTERLOCK, MAG SWITCH
18	3042320	2089510	CLIP P/SWITCH
19	3001457	<a href="#">2065052</a>	SWITCH
20	3059250	<a href="#">2089531</a>	LED DRIVER
21	<a href="#">2087706</a>	<a href="#">2103919</a>	TEMPERATURE CONTROL
22	3036890	2076370	CONTROL BOX
23	3025496	<a href="#">2077048</a>	DISPLAY MOTHERBOARD
24	3024275	<a href="#">2077061</a>	DPLAY BASE
25	3018077	2077060	PANEL COVER

REV.00

General Assembly

Included Models

ENF VFD43 C BMAD R2 UL EC LED EXP RES FS

1022432

Item	Internal Code	Spare Part	Description
26	3052103	<a href="#">2076368</a>	DRIVER 24W
27	3045618	<a href="#">2047063</a>	BACK GRILL
28	3022239	<a href="#">2065163</a>	POWER CORD
29	3060902	<a href="#">2103929</a>	SHELF
30	3041575	<a href="#">2065346</a>	CLIP F/PILASTER
31	3060901	2103928	BOTTOM SHELF
32	3060900	2103927	DRAWER SHELF
33	3060903	2104018	SEPARATOR PRODUCT
34	3060884	2103926	PRODUCT SEPARATOR
35	3022238	<a href="#">2065360</a>	LEVELING LEG
36	3001490	2076878	WALL SPACER
37	2077801	2103914	FRONT GRILL
38	3041303	2068673	REINFORCEMENT
39	2052174	2083304	HIPS PLATE SUPPORT
*	3054795	<a href="#">2078389</a>	REMOTE DPLAY WIRE
*	3061752	2103934	MAIN HARNESS
*	3061531	2103931	COMPRESSOR HARNESS
*	3052000	<a href="#">2063529</a>	LED HARNESS
*	3057557	<a href="#">2089526</a>	EVAPORATOR HARNESS
*	3061637	2103933	EVAPORATOR HARNESS
*	3063234	2103936	COMPLEMENT HARNESS
*	3061753	2103935	COMPLEMENT HARNESS
*	3065328	2103937	RESISTOR HARNESS

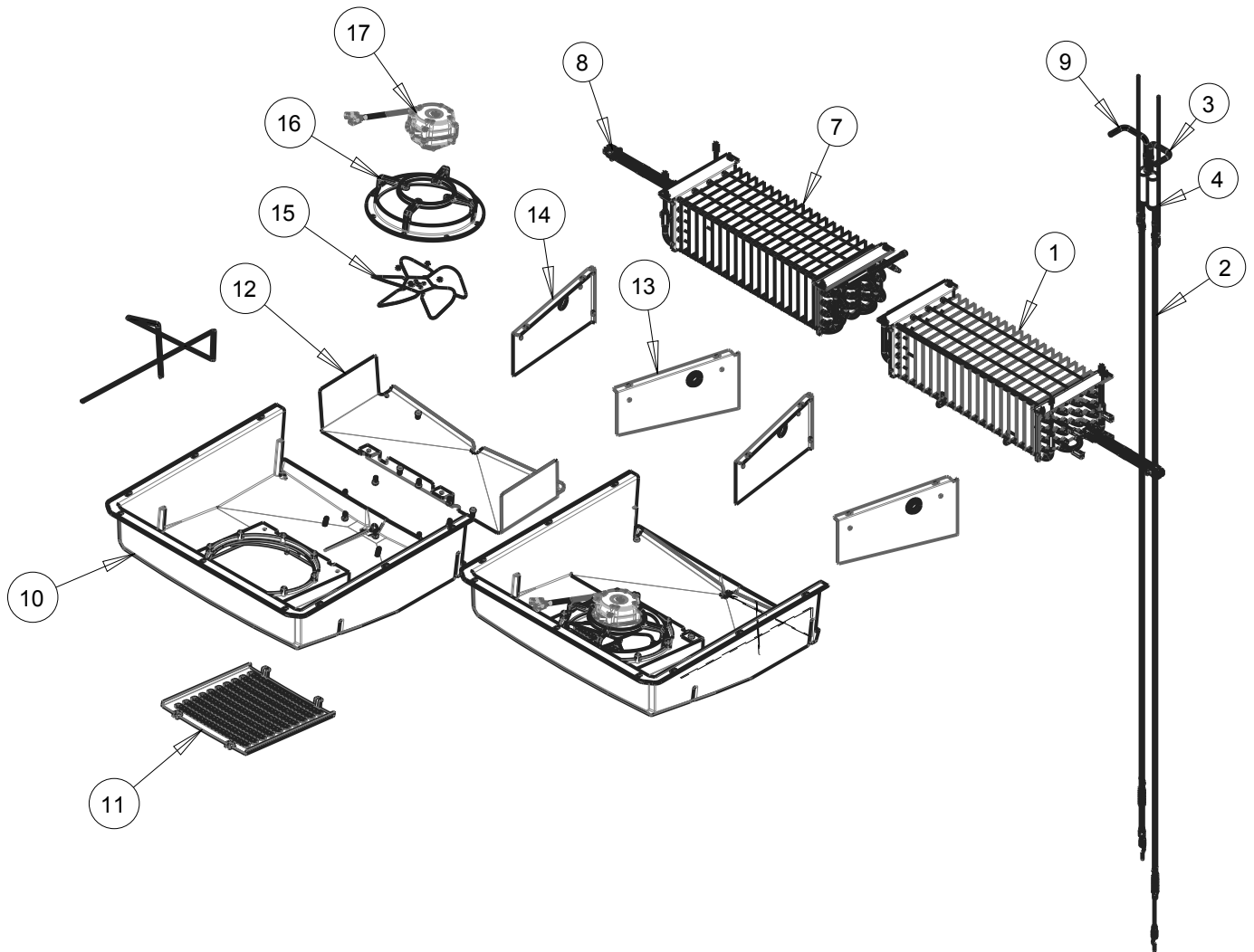
REV.00

General Assembly

Included Models

ENF VFD43 C BMAD R2 UL EC LED EXP RES FS

1022432



REV.00

Evaporator Unit

Included Models

ENF VFD43 C BMAD R2 UL EC LED EXP RES FS

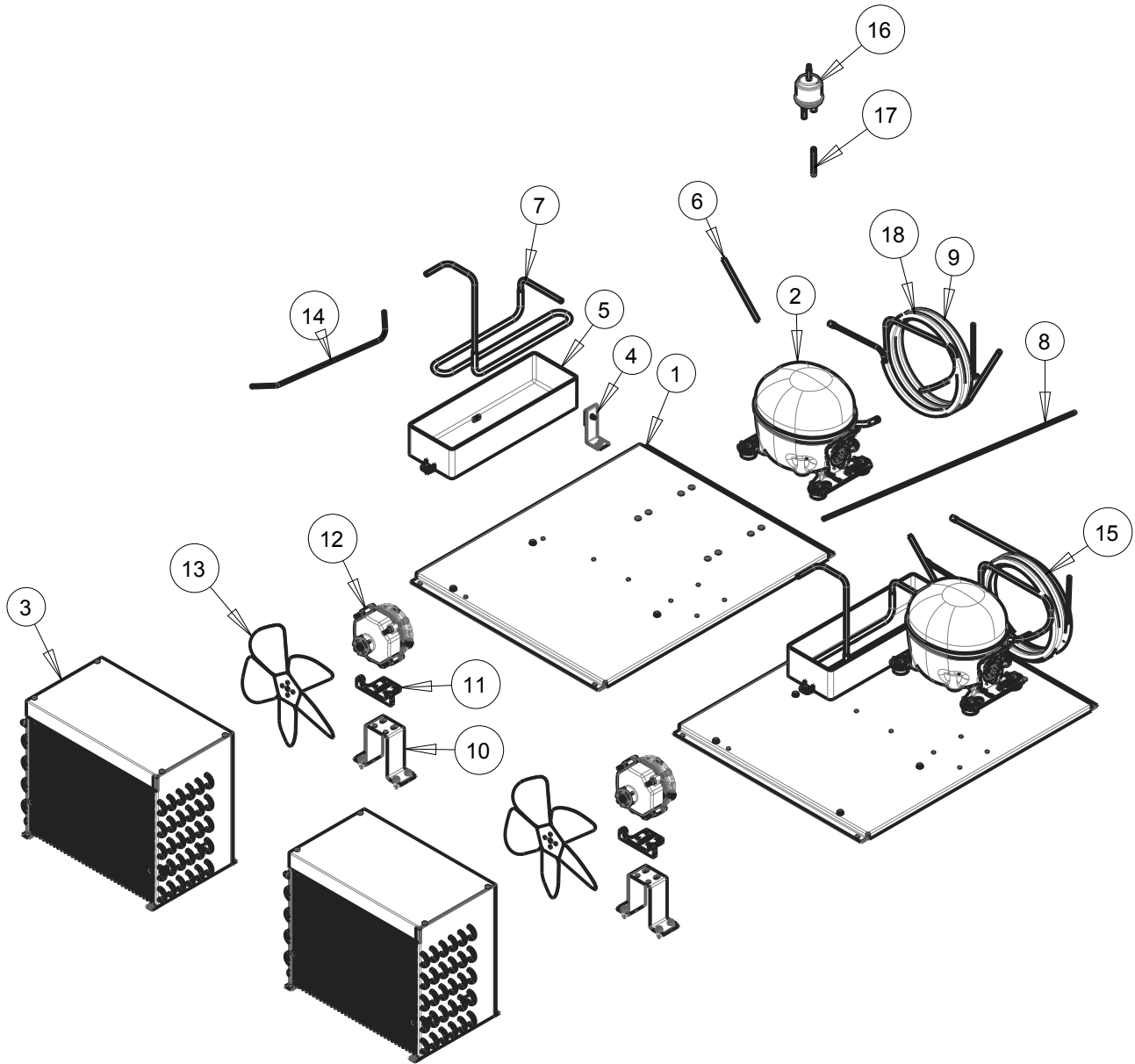
1022432

Item	Internal Code	Spare Part	Description
1	2087073	<a href="#">2091441</a>	EVAPORATOR
2	2088096	2103920	RETURN PIPE
3	2069543	2089491	RETURN PIPE
4	3051851	<a href="#">2065308</a>	ACUMMULATOR
5	3048713	<a href="#">2078824</a>	BIMETAL DISC
6	2014639	<a href="#">2063514</a>	CHARGE PIPE
7	2088245	2103922	EVAPORATOR
8	3057564	2089528	FUSE EVAP HARNESS
9	2081564	2103917	RETURN PIPE
10	2069545	2089492	EVAP HOUSING
11	2044821	<a href="#">2068676</a>	EVAP HOUSING COVER
12	3057356	<a href="#">2089519</a>	EVAP DRAIN PAN
13	3061608	2089534	AIR DEVIATOR
14	3061627	2089539	AIR DEVIATOR
15	3037464	2065102	EVAP/COND FAN BLADE
16	3023907	<a href="#">2021792</a>	MOTOR EVAP SUPPORT
17	3023792	2065067	EVAP/COND FAN MOTOR

REV.00

Evaporator Unit

Included Models ENF VFD43 C BMAD R2 UL EC LED EXP RES FS 1022432



REV.00

Condenser Unit

Included Models

ENF VFD43 C BMAD R2 UL EC LED EXP RES FS

1022432

Item	Internal Code	Spare Part	Description
1	2066384	2076542	COMPRESSOR BASE
2	3061539	<a href="#">2103932</a>	COMPRESSOR
3	2050184	<a href="#">2065075</a>	CONDENSER
4	2003751	2045838	COND PAN SUPPORT
5	3000814	<a href="#">2065072</a>	CONDENSATE PAN
6	2014639	<a href="#">2063514</a>	CHARGE PIPE
7	2088390	2103923	DISCHARGE PIPE
8	2020694	2103913	COND PIPE
9	2088247	2103922	HEAT EXCHANGER
10	3033267	<a href="#">2077074</a>	MOTOR STAND
11	3027277	<a href="#">2016551</a>	MOTOR EVAP SUPPORT
12	3030464	<a href="#">2065107</a>	COND FAN MOTOR
13	3024836	<a href="#">2061515</a>	COND FAN BLADE
14	2088098	2103921	POSITION CONDENSER PIPE
15	2081751	2103918	HEAT EXCHANGER
16	3043930	<a href="#">2065116</a>	FILTER DRIER
17	2021335	<a href="#">2065060</a>	CHARGE PIPE
18	3068712	2101885	TUBE COVER MOLDING

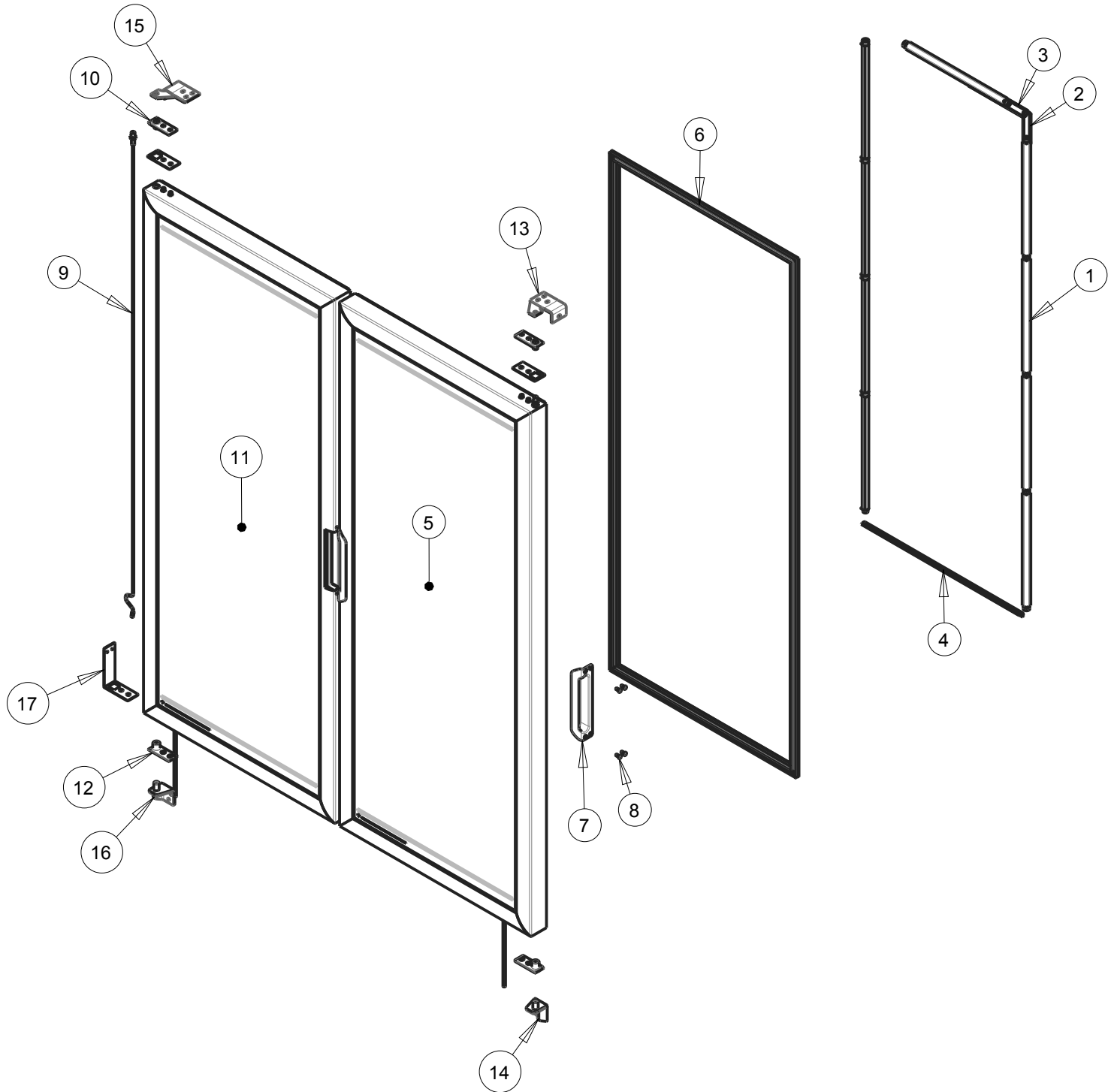
REV.00

Condenser Unit

Included Models

ENF VFD43 C BMAD R2 UL EC LED EXP RES FS

1022432



REV.00

Door

Included Models

ENF VFD43 C BMAD R2 UL EC LED EXP RES FS

1022432

Item	Internal Code	Spare Part	Description
1	3051065	<a href="#">2065047</a>	LED MODULE
2	2064802	2086706	MOULDING GLASS FIXER COVER
3	2011016	2086707	MOULDING GLASS FIXER COVER
4	2010209	2086708	MOULDING GLASS FIXER COVER
5	2090986	<a href="#">2103924</a>	GLASS DOOR RIGHT
6	3068492	2103940	GASKET
7	2018749	2076375	PLASTIC DOOR HANDLE
8	3027788	2081335	REMOVABLE RIVET
9	3066158	2097108	SELF CLOSING
10	3031838	2075591	DOOR BUSHING
11	2090987	2103925	GLASS DOOR LEFT
12	3035612	2094659	DOOR BUSHING
13	3066157	<a href="#">2094658</a>	TOP HINGE RIG
14	3065939	<a href="#">2094657</a>	BOTTOM HINGE
15	3066159	2103939	TOP HINGE
16	3065936	2103938	BOTTOM HINGE
17	3039720	2078626	REINFORCEMENT
*	3051220	2075742	F-M MODULE HARNESS
*	3045554	2076101	F-DRIVER MODULE HARNESS

REV.00

Door

Included Models

ENF VFD43 C BMAD R2 UL EC LED EXP RES FS

1022432

