

REV.00

General Assembly

Included Models

ENF **G319** C BMAD R2 UL CIR LEDEXPLC4INXFS

1023826

Item	Internal Code	Spare Part Code	Description
1	3029548	2077027	PILASTER
2	3049326	2076410	ANTI-VACUUM VALVE
3	3056242	2079065	GASKET ANTI-VACUUM VALVE
4	2060714	2072421	LEFT TUBE COVER
5	2060715	2073438	RIGHT TUBE COVER
6	2038149	2076344	MOLD DEFLECTOR SUPPORT
7	2040645	2080580	DEFLECTOR MOLDING
8	3062688	2093003	ELECTRIC LOCK, G00
9	3065019	2093009	BATTERY
10	2041355	2093010	BATTERY SUPPORT
11	3063528	2093011	LOCK COVER
12	3063587	2093012	LOCK SUPPORT
13	3001457	2065052	SWITCH
14	3030429	2076341	MAGNETIC SWITCH
15	3024322	2077330	INTERLOCK, MAG SWITCH
16	3042320	2089510	CLIP P/SWITCH
17	3059250	2089531	LED DRIVER 7W
18	3044404	2065129	LED DRIVER 30W
19	3017479	2024708	MAGNETIC SUPPORT SWITCH
20	2084870	2093015	TEMPERATURE CONTROL

REV.00

General Assembly

Included Models

ENF [G319](#) C BMAD R2 UL CIR LEDEXPLC4INXFS

1023826

Item	Internal Code	Spare Part Code	Description
21	3063912	2093016	CONTROL BOX
22	3052103	2076368	DRIVER 24W
23	3022239	2065163	POWER CORD
24	3001610	2017163	BACK GRILL
25	3042646	2076409	SHELF
26	3033894	2076116	CLIP F/PILASTER
27	3017492	2016589	THERMOMETER
28	3022238	2065360	LEVELING LEG
29	3001490	2076878	WALL SPACER
30	2064762	2076406	FRONT GRILL
31	3041303	2068673	REINFORCEMENT
32	2052174	2083304	HIPS PLATE SUPPORT
*	3062692	2093007	LOCK HARNESS
*	3063290	2093013	MAIN HARNESS
*	3063289	2093014	COMPLEMENT HARNESS
*	3017532	2063499	MOTOR GROUND HARNESS
*	3042236	2077318	COMPRESSOR HARNESS
*	3051069	2065318	LED HARNESS

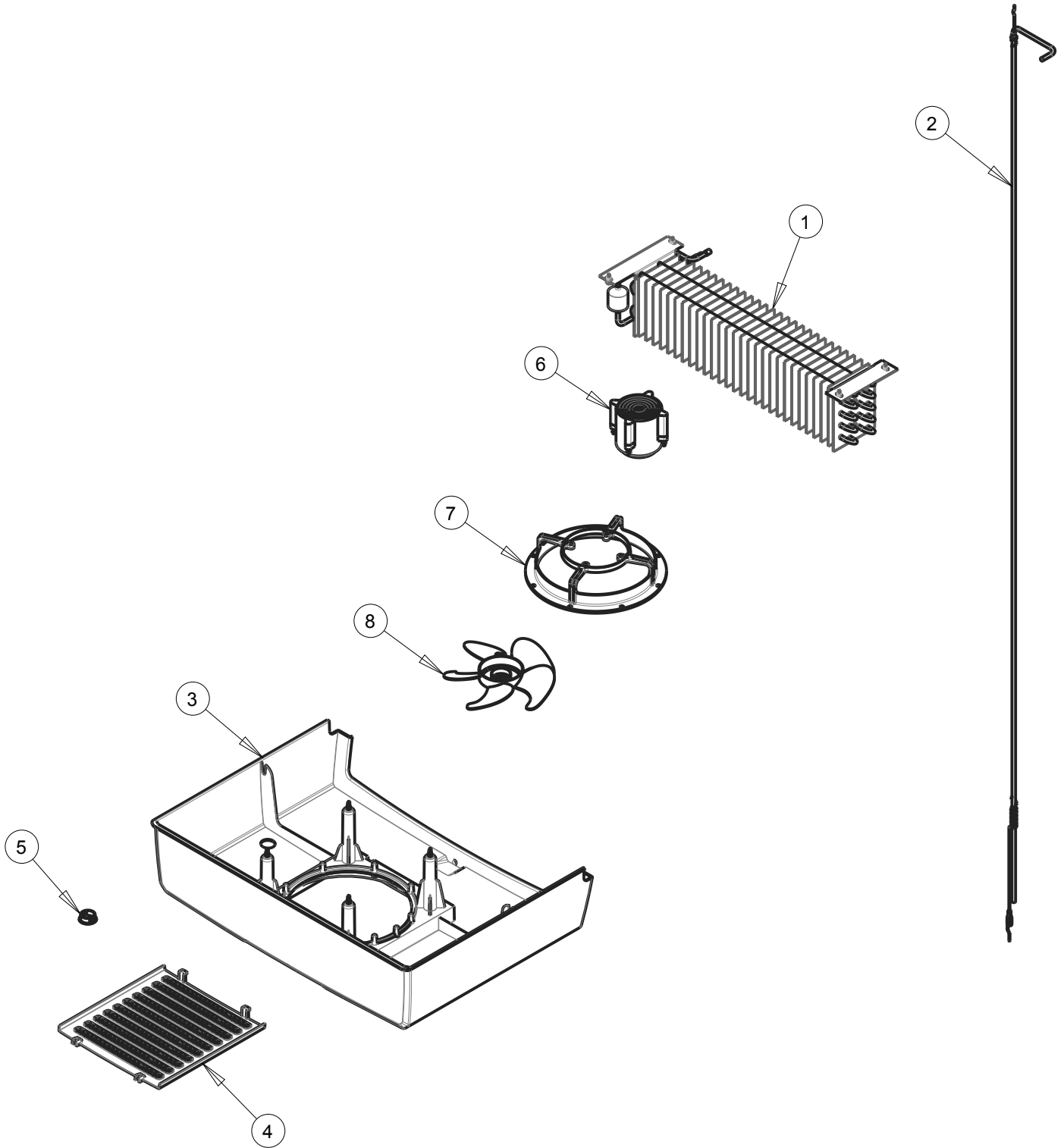
REV.00

General Assembly

Included Models

ENF [G319](#) C BMAD R2 UL CIR LEDEXPLC4INXFS

1023826



REV.00

Evaporator Unit

Included Models

ENF **G319** C BMAD R2 UL CIR LEDEXPLC4INXFS

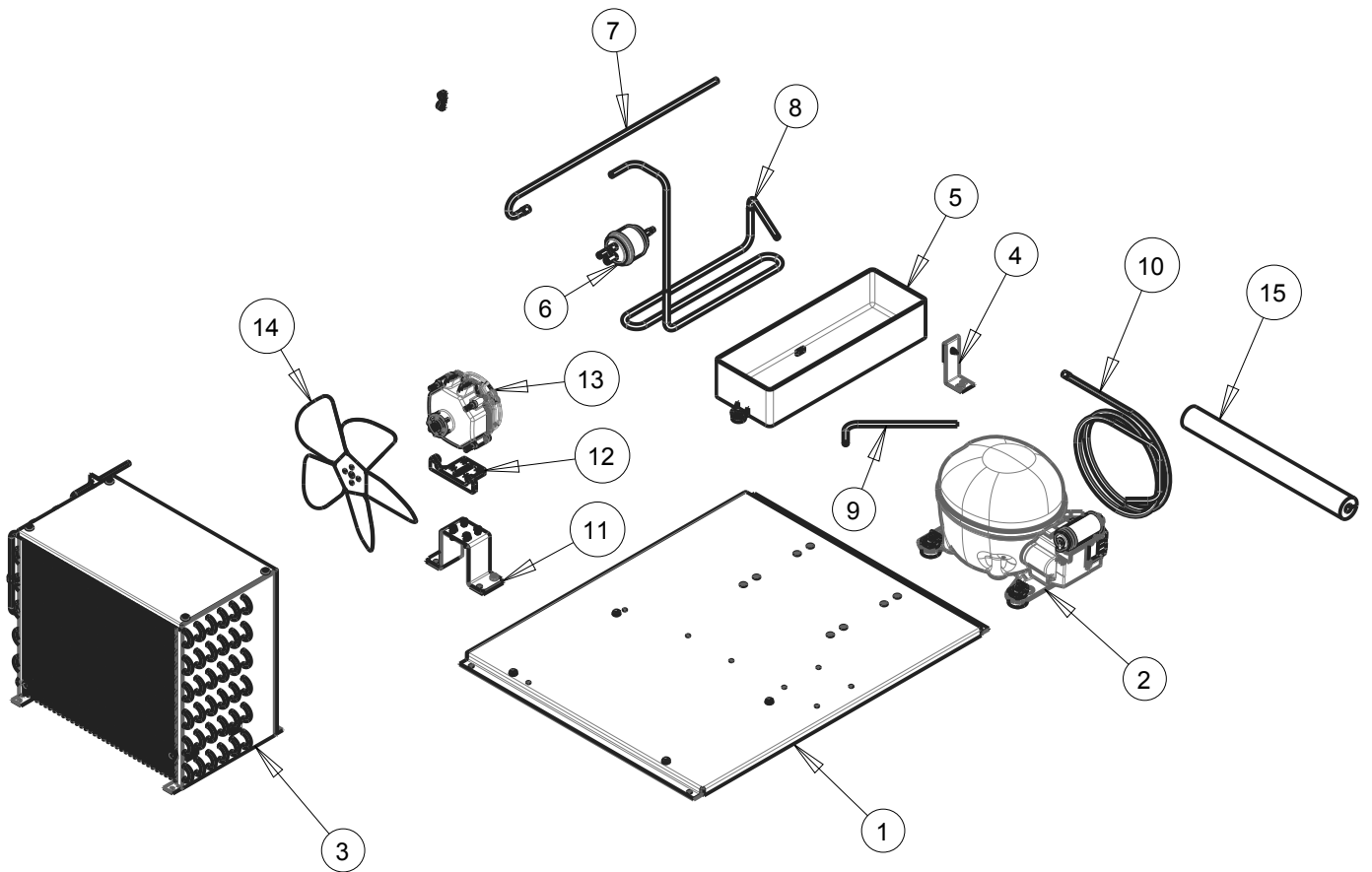
1023826

Item	Internal Code	Spare Part Code	Description
1	3054283	2068674	EVAPORATOR
2	2065242	2072768	RETURN PIPE
3	2082794	2091243	EVAP HOUSING
4	2075560	2078478	EVAP HOUSING COVER
5	3035171	2076127	STOPPER
6	3023792	2065067	EVAP FAN MOTOR
7	3023907	2021792	MOTOR EVAP SUPPORT
8	3023793	2017317	EVAP FAN BLADE

REV.00

Evaporator Unit

Included Models ENF [G319](#) C BMAD R2 UL CIR LEDEXPLC4INXFS 1023826



REV.00

Condenser Unit

Included Models

ENF **G319** C BMAD R2 UL CIR LEDEXPLC4INXFS

1023826

Item	Internal Code	Spare Part Code	Description
1	2066384	2076542	COMPRESSOR BASE
2	3055368	2072402	COMPRESSOR
3	2048109	2061514	CONDENSER
4	2003751	2045838	COND PAN SUPPORT
5	3000814	2065072	CONDENSATE PAN
6	3043930	2065116	FILTER DRIER
7	2017610	2065166	VACCUM PIPE
8	2067306	2076379	DISCHARGE PIPE
9	2021335	2065060	CHARGE PIPE
10	2088417	2090450	SUCTION LINE
11	2032218	2075535	MOTOR STAND
12	3039514	2065362	MOTOR COND SUPPORT
13	3030464	2065107	COND FAN MOTOR
14	3024836	2061515	COND FAN BLADE
15	3000807	2077326	PIPE INSULATION

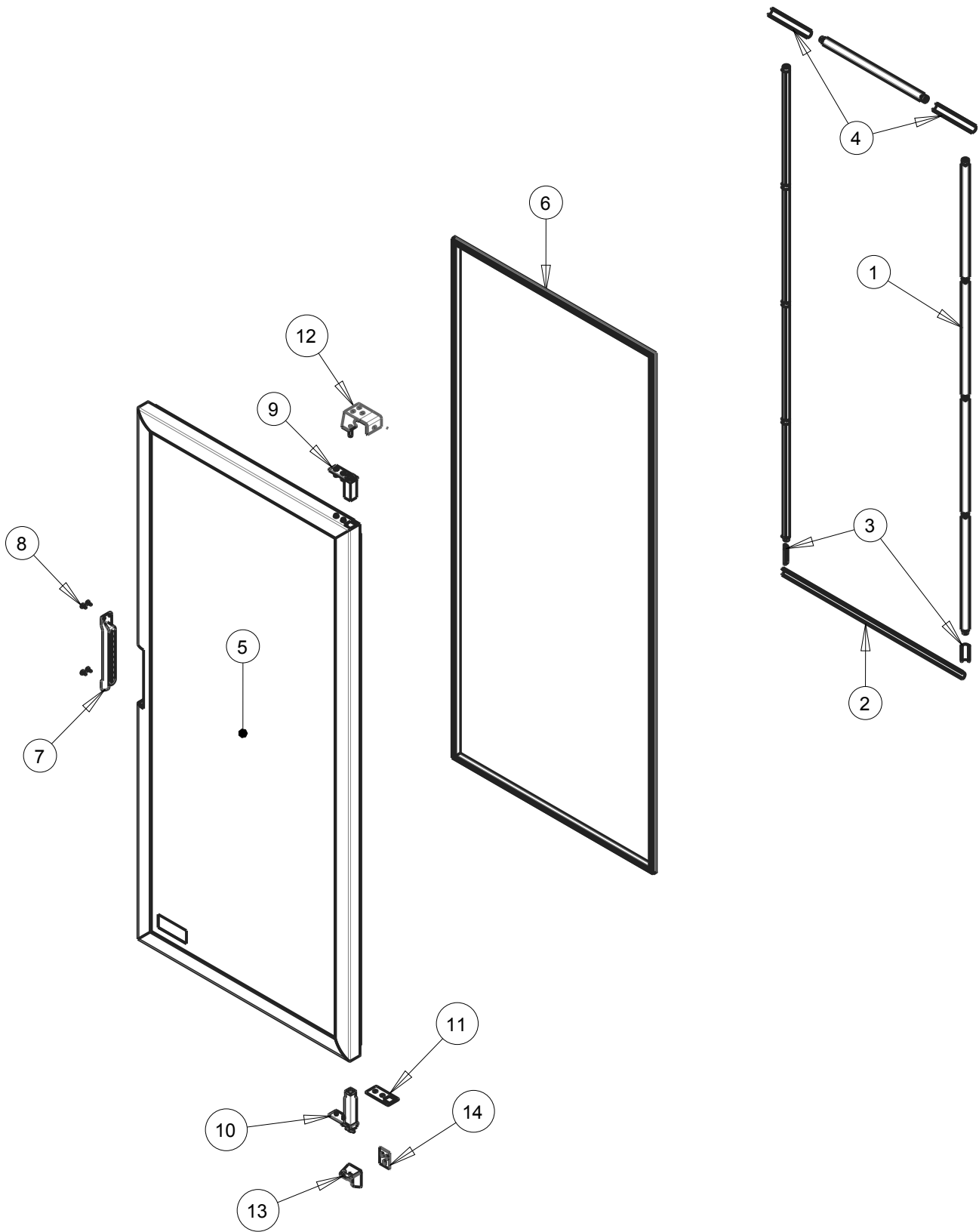
REV.00

Condenser Unit

Included Models

ENF G319 C BMAD R2 UL CIR LEDEXPLC4INXFS

1023826



REV.00

Door

Included Models

ENF **G319** C BMAD R2 UL CIR LEDEXPLC4INXFS

1023826

Item	Internal Code	Spare Part Code	Description
1	3051065	2065047	LED MODULE
2	2055306	2084831	MOULDING GLASS FIXER COVER
3	2042808	2082144	MOULDING GLASS FIXER COVER
4	2075391	2084837	MOULDING GLASS FIXER COVER
5	2098932	2101109	GLASS DOOR
6	3023696	2093020	GASKET
7	2018749	2076375	PLASTIC DOOR HANDLE
8	3027788	2081335	REMOVABLE RIVET
9	3044866	2076112	DOOR BUSHING
10	3043569	2055558	SELF CLOSING
11	3028538	2077415	REINFORCEMENT
12	3053035	2075882	TOP HINGE RIG
13	3029297	2022622	BOTTOM HINGE
14	3043342	2076346	REINFORCEMENT
*	3051220	2075742	F-M MODULE HARNESS
*	3045554	2076101	F-DRIVER MODULE HARNESS

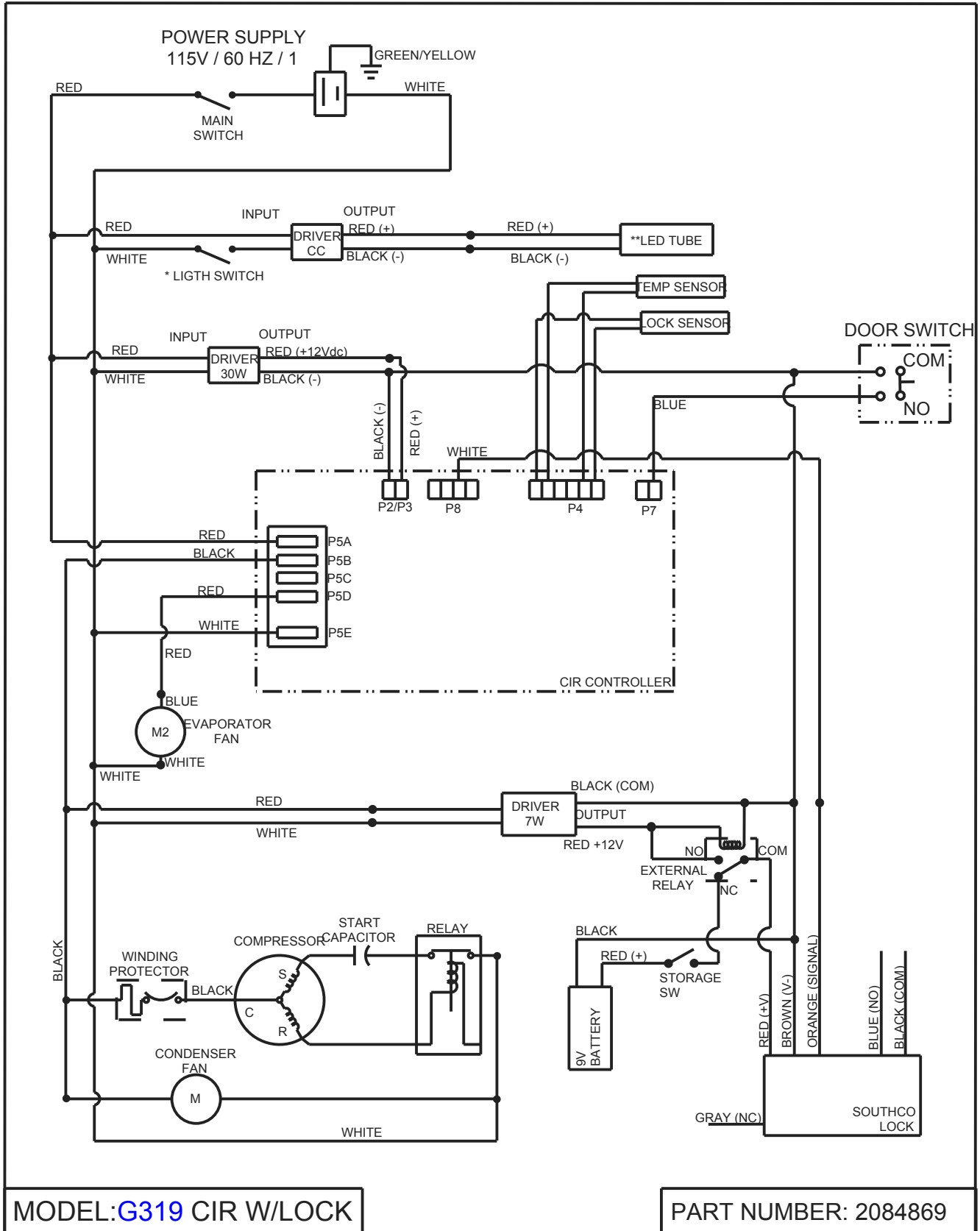
REV.00

Door

Included Models

ENF [G319](#) C BMAD R2 UL CIR LEDEXPLC4INXFS

1023826



REV.00

Wiring Diagram

Included Models

ENF G319 C BMAD R2 UL CIR LEDEXPLC4INXFS

1023826