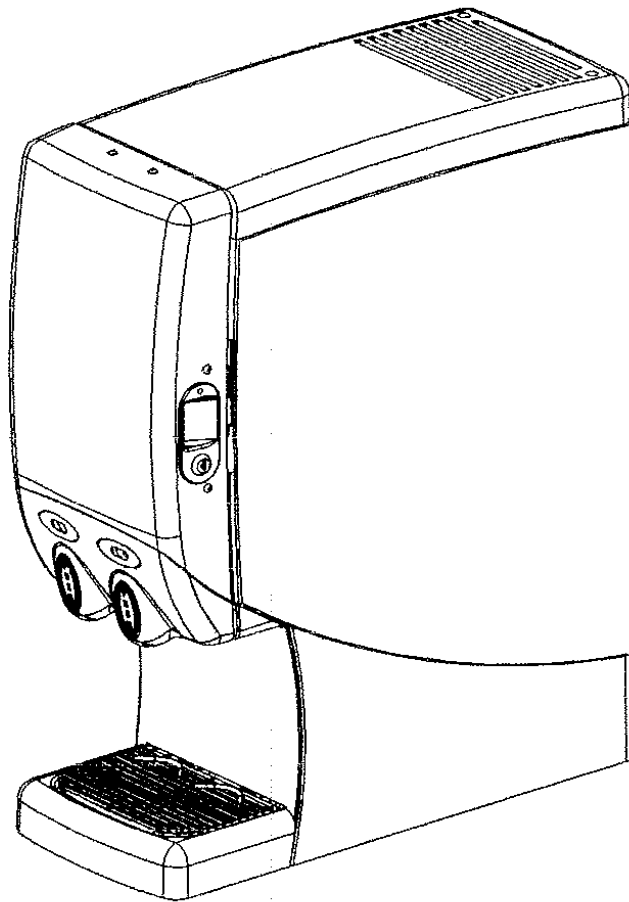




QUEST 2000

IPL Manual



Release Date: December, 2004

Publication Number: 720529901IPL

Revision Date: December 20, 2010

Revision: F

Visit the IMI Cornelius web site at www.cornelius.com for all your Literature needs.



The products, technical information, and instructions contained in this manual are subject to change without notice. These instructions are not intended to cover all details or variations of the equipment, nor to provide for every possible contingency in the installation, operation or maintenance of this equipment. This manual assumes that the person(s) working on the equipment have been trained and are skilled in working with electrical, plumbing, pneumatic, and mechanical equipment. It is assumed that appropriate safety precautions are taken and that all local safety and construction requirements are being met, in addition to the information contained in this manual.

This Product is warranted only as provided in Cornelius' Commercial Warrant applicable to this Product and is subject to all of the restrictions and limitations contained in the Commercial Warranty.

Cornelius will not be responsible for any repair, replacement or other service required by or loss or damage resulting from any of the following occurrences, including but not limited to, (1) other than normal and proper use and normal service conditions with respect to the Product, (2) improper voltage, (3) inadequate wiring, (4) abuse, (5) accident, (6) alteration, (7) misuse, (8) neglect, (9) unauthorized repair or the failure to utilize suitably qualified and trained persons to perform service and/or repair of the Product, (10) improper cleaning, (11) failure to follow installation, operating, cleaning or maintenance instructions, (12) use of "non-authorized" parts (i.e., parts that are not 100% compatible with the Product) which use voids the entire warranty, (13) Product parts in contact with water or the product dispensed which are adversely impacted by changes in liquid scale or chemical composition.

Contact Information:

To inquire about current revisions of this and other documentation or for assistance with any Cornelius product contact:

www.cornelius.com

800-238-3600

Trademarks and Copyrights:

This document contains proprietary information and it may not be reproduced in any way without permission from Cornelius.

Printed in U.S.A.

TABLE OF CONTENTS

Final Assembly	3
Refrigeration Chassis Assembly	6
Refrigeration Frame Assembly	7
Tank Cover Assembly	9
Cabinet Assembly	11
Door Assembly	12
Lower Door Panel Assembly	13
Lower Door Panel Assembly	14
Platform Assembly	15
Platform Assembly - OLT	17
Platform Assembly	19
Pump Assembly	21
Bottle Adapter Assembly	22
Valve Block Assembly	23
Electrical Box Assembly	24
Electrical Box Assembly	25
Generic Bottle Assembly	26



SAFETY INSTRUCTIONS

READ AND FOLLOW ALL SAFETY INSTRUCTIONS

Safety Overview

- Read and follow **ALL SAFETY INSTRUCTIONS** in this manual and any warning/caution labels on the unit (decals, labels or laminated cards).
- Read and understand **ALL** applicable OSHA (Occupational Safety and Health Administration) safety regulations before operating this unit.

Recognition

Recognize Safety Alerts



This is the safety alert symbol. When you see it in this manual or on the unit, be alert to the potential of personal injury or damage to the unit.

DIFFERENT TYPES OF ALERTS

DANGER:

Indicates an immediate hazardous situation which if not avoided **WILL** result in serious injury, death or equipment damage.

WARNING:

Indicates a potentially hazardous situation which, if not avoided, **COULD** result in serious injury, death, or equipment damage.

CAUTION:

Indicates a potentially hazardous situation which, if not avoided, **MAY** result in minor or moderate injury or equipment damage.

SAFETY TIPS

- Carefully read and follow all safety messages in this manual and safety signs on the unit.
- Keep safety signs in good condition and replace missing or damaged items.
- Learn how to operate the unit and how to use the controls properly.
- **Do not** let anyone operate the unit without proper training. This appliance is **not** intended for use by very young children or infirm persons without supervision. Young children should be supervised to ensure that they do not play with the appliance.
- Keep your unit in proper working condition and do not allow unauthorized modifications to the unit.

QUALIFIED SERVICE PERSONNEL

WARNING:

Only trained and certified electrical, plumbing and refrigeration technicians should service this unit. **ALL WIRING AND PLUMBING MUST CONFORM TO NATIONAL AND LOCAL CODES. FAILURE TO COMPLY COULD RESULT IN SERIOUS INJURY, DEATH OR EQUIPMENT DAMAGE.**

SAFETY PRECAUTIONS

This unit has been specifically designed to provide protection against personal injury. To ensure continued protection observe the following:

 **WARNING:**

Disconnect power to the unit before servicing following all lock out/tag out procedures established by the user. Verify all of the power is off to the unit before any work is performed.

Failure to disconnect the power could result in serious injury, death or equipment damage.

 **CAUTION:**

Always be sure to keep area around the unit clean and free of clutter. Failure to keep this area clean may result in injury or equipment damage.

SHIPPING AND STORAGE

 **CAUTION:**

Before shipping, storing, or relocating the unit, the unit must be sanitized and all sanitizing solution must be drained from the system. A freezing ambient environment will cause residual sanitizing solution or water remaining inside the unit to freeze resulting in damage to internal components.

FINAL ASSEMBLY
P/N 721542110 (115VAC)
P/N 721542101 (115VAC) NOT SHOWN
P/N 721542102 (230VAC) NOT SHOWN

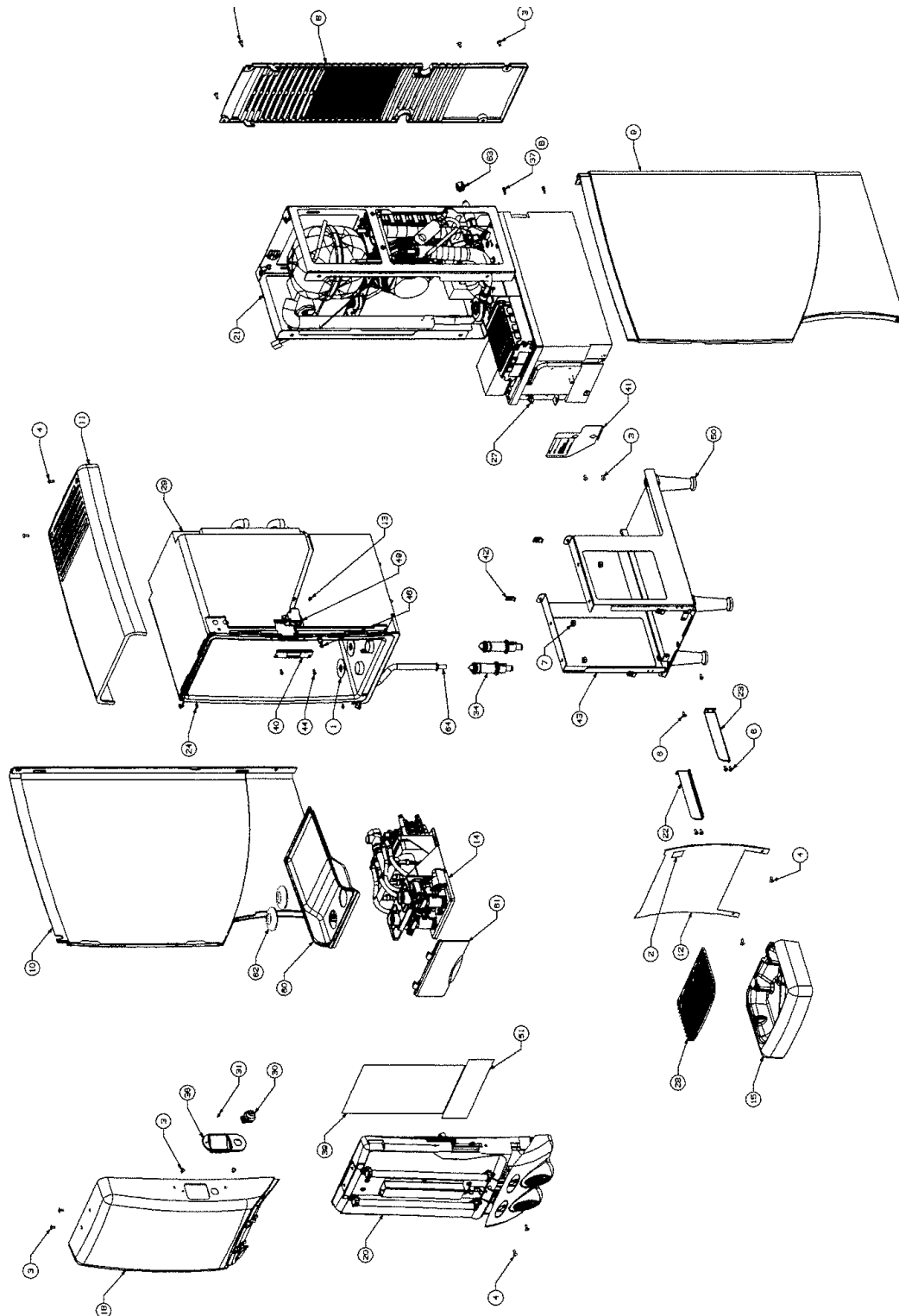


Figure 1. Final Assembly

Table 1: Final Assembly P/N 721542110

Item No.	Part No.	Name
1	S3354	Gasket Sealing Bowl Spout
2	06060	Label NSF Small
3	0704101	Screw, #8-32 X 3/8" Lg., THMS
4	0704105	Screw, #8-32 X 1/2" Lg., THMS
5	07061003	Screw, #10 Type "F" HHWF, 3/8" Lg.
6	07115001	Screw TF 8-32 TRPH 12SS
7	0720405	Nut, 1/4-20 KEPS
8	720500202	Rear Panel, Quest 2000
9	720500301	Panel, Right Side, Quest
10	720500302	Panel, Left Side, Quest
11	720500402	Top Panel, Quest 2000
12	720500502	Splash Panel Guard, Quest 2000
13	0700201	Screw #6-21X 1/4" Lg. BHMS
14	720401801	Platform Assembly, Quest 2000/4000 IHOP
15	720500102	Drip Tray, Quest 2000
16	720507502	Kit Packaging, Quest 2000
17	720500797	Insulator for P/N 720500796
18	720520102	Merchandiser Florida's Natural Growers Pride, Quest
19	720500799	Compressor Wire Harness
20	720500054	Door Assembly PC, Quest 2000
21	720201910	Frame & Tank Assembly 11/50, Quest 2000 SLJ
22	720504701	Bracket Drip tray Left QST 4/2
23	720504702	Bracket Drip tray Right Quest
24	720500763	Washer Nylon .437 O.D. X .195 I.D.
25	720529900	Kit Literature PKG., Quest 2000
26	45371	Fitting, Tube-to-Hose Barb-Drain
27	720501227	Clip, Split Routing
28	720520501	Grill, Drip Tray - Quest 2000
29	720202404	Cabinet Assembly 115V FNG, Quest 2000/SJL
30	720703901	Lock Assembly
31	620700101	Rivet Pop 125D 188-250 Alum. Black

Table 1: Final Assembly P/N 721542110

Item No.	Part No.	Name
32	720500800	Wire harness to Power Cord
33	720511201	Kit Flavor Strip, Quest #1
34	720507101	Nozzle Static Mixer Assembly, Quest
35	720511202	Kit Flavor Strip, Quest #2
36	720601502	Handle-Merchandiser, Quest
37	720705301	Spacer Stand-off, 8-32 X 3/8 lg. 1/4 hex
38	720500030	Terminal, 3/16 Female 18-22 AWG
39	720901001	Label-Cleaning & Sanitizing Quest 2000/QLT2
40	720201440	Bracket-Catch Striker Plate, Quest
41	720500010	Bracket Assembly sight Tube Cover, Quest
42	6775	C814-832-4 Tin Clip
43	720504902	Base Frame Assembly, Quest 2000
44	720701405	Screw, 6-18 Type "B" PAPH 12 SS
45	30580	Tape-Insulation, White
46	720702704	Pin-Door Latch, Quest-NT
47	720500034	Jumper Blue 22 GA. 6" 1/4 Female X1
48	720500802	Connector Electrical Housing 4 Pin
49	720202009	Catch Door W. Switch, Quest-NT
50	37958	Leg Level 4"
51	7245079	Label-Brix Table, SLJ
52	720901714	Harness Wire Catch Switch, Quest-NT
53	720500008	Wire Harness E-Box Ext. Interface
54	720503101	Tube Assembly Agit Water in Quest
55	720701507	Tube Assembly Water Inlet W/ Shutoff, Quest
56	720703501	Gasket Rubber, Quest 4000
57	720801305	S-Wrap Drip tray, Quest 2000
58	720801601	Tape, Duct 2" Wide Yellow
59	07301029	Washer, .312 O.D. x .125 I.D. (Nylon)
60	720201510	Shelf, Platform QST-NT 2 SJL
61	720532102	Door Platform SLJ Quest 2000 NT
62	720703301	Grommet, Seal Platform Cover SLJ Quest 2000/4000
63	60204001	Cap Plug 5/8-18 Thread Red CD-6A

FINAL ASSEMBLY

P/N 721542101 (115VAC)

P/N 721542102 (230)

Table 2: Final Assembly P/N 721542101 & 721542102

Item No.	Part No.	Name
1	720500202	Rear Panel
2	720500301	Right Side Panel
3	720500302	Left Side Panel
4	720500502	Splash Panel
5	720520501	Grill, Drip Tray
6	720500102	Drip Tray
7	720522201	Cabinet & Frame Assembly, 115 VAC
	720522202	Cabinet & Frame Assembly, 230 VAC
8	720522301	Refrigeration Chassis Assembly
9	720500770	Hinge, Top
10	720401302	Merchandiser, Generic Graphics, Black
11	720500771	Hinge, Bottom
12	720500763	Washer, Nylon, 0.437 OD X 0.195 ID
13	720522501	Lower Door Assembly
14	720522400	Door Assembly
15	720529900	Kit, Literature Package

Table 2: Final Assembly P/N 721542101 & 721542102

Item No.	Part No.	Name
16	720522901	Installation Manual
17	720507004	Flavor Strip
18	720507101	Nozzle Static Mixer (Includes O-ring, nozzle, & static mixer)
*	720507103	Static Mixer Only
*	31525037	Nozzle O-ring
21	720520002	Pad, Counter Top
23	720511299	Kit, Flavor Strip, Magnetic Receptacle
24	0704105	Screw, #8-32 X 1/2" Lg., THMS
25	720511201	Kit, Flavor Strip
26	720507201	NPLT
27	720500402	Top Panel
28	720201506	Shelf, Cabinet, SLJ
29	720506402	Platform Assembly, SLJ
	720522100	Platform Assembly, QLT
30	S3354	Gasket Sealing
32	720500713	Switch, Cutout, 10 A

REFRIGERATION CHASSIS ASSEMBLY
P/N 720522301 (115VAC)
P/N 720522302 (230VAC)

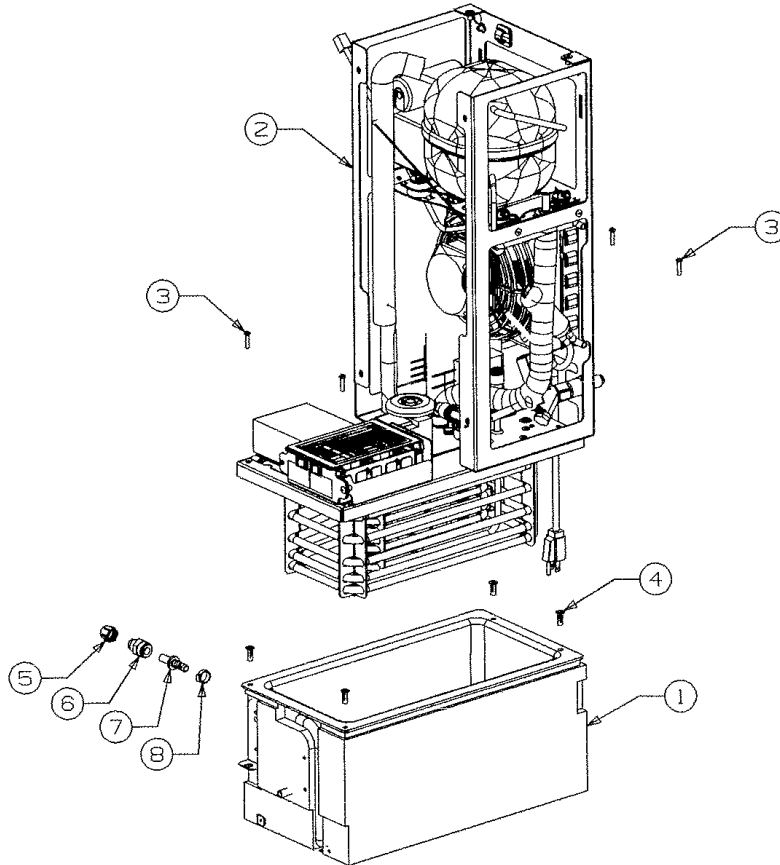


Figure 2. Refrigeration Chassis Assembly

Table 3: Refrigeration Chassis Assembly -
720522301 & 720522302

Item No.	Part No.	Name
1	720500902	Foamed Water Bath Tank Assembly
2	720522311 720522312	Frame Assembly, Refrigeration, 115 V Frame Assembly, Refrigeration, 230V
3	0702609	Screw, MA 8-32 BDPH 24 SS
4	3110001	Fastener, Rivet 8-32

Table 3: Refrigeration Chassis Assembly -
720522301 & 720522302

Item No.	Part No.	Name
5	60204001	Cap-Plg 5/8-18 THD RED CD-GA
6	720509227	Fitg-push 3/8 Tube x 3/8 Male
7	45371	Fitg Tube to Hose Barb, Drain
8	48114002	Clamp OETR .669 Open STPLS #17.0

REFRIGERATION FRAME ASSEMBLY

P/N 720522311 (115VAC)
P/N 720522312 (230VAC)

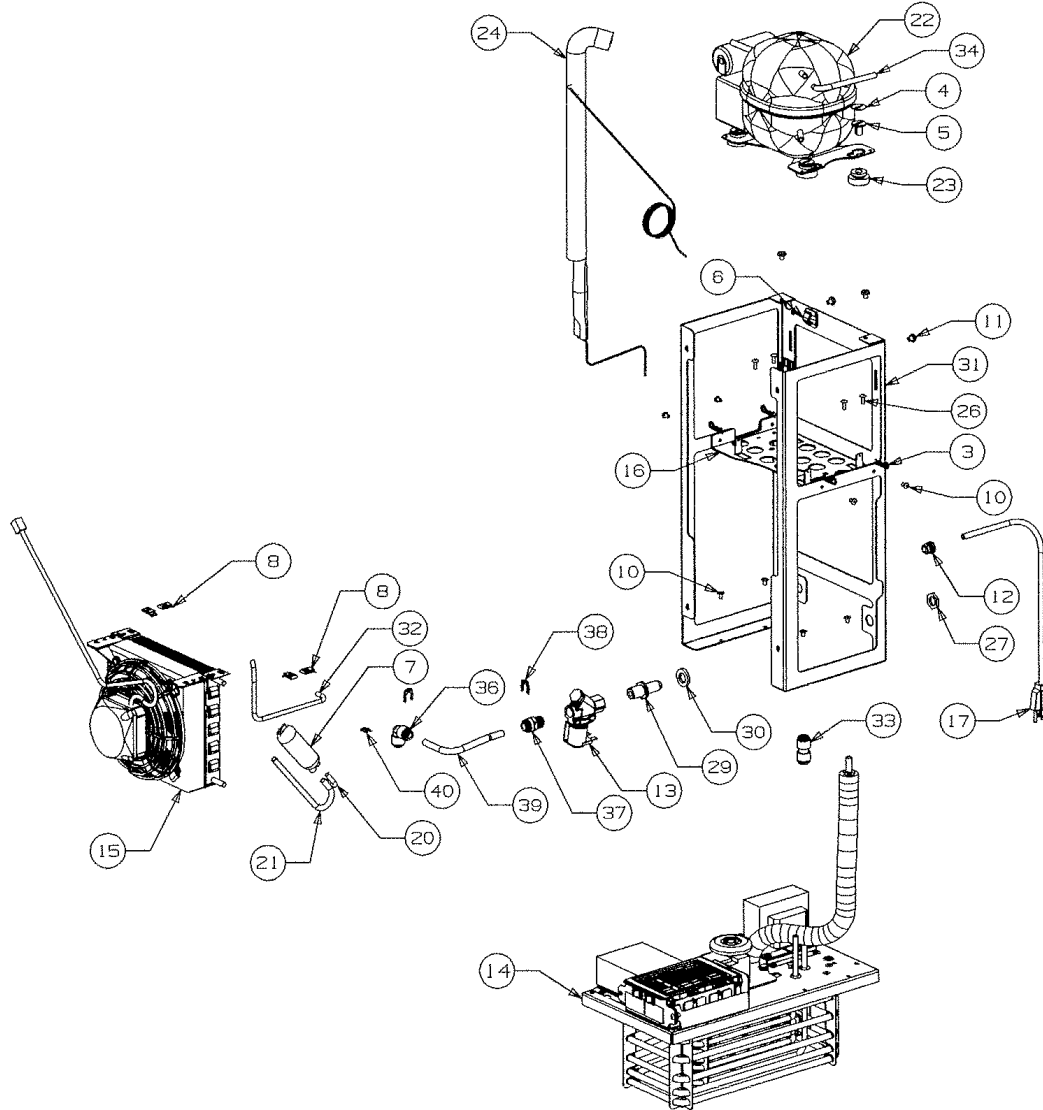


Figure 3. Refrigeration Frame Assembly

**Table 4: Refrigeration Frame Assembly
720522311 & 720522312**

Item No.	Part No.	Name
1	00995	Brazing Alloy 15%AG
2	00994	Flux Brazing Wire 15%AG
3	08474	Clip Spring
4	9649	Washer, Compressor Mount
5	12107	Sleeve, Compressor Mount
7	620047114	Dryer-Solid Core, R-134a
8	6775	Clip Tin C814-832-4
10	400276	Rivet
11	3110001	Fastener-Rivnut, #8-32
12	7221320	Bushing-Strain Relief
13	45091001	Valve, Water Solenoid, 24V
14	720504001	Cover Tank Assembly, 115/60 TCMSEH 134A
15	560003705	Condenser Assembly, 115V/60Hz
16	720201415	Bracket Comp/Cond QST2
17	46384	Cord Serv 115V
20	720501806	Tube, Formed, Liquid Line
21	720502004	Tube, Formed, Process Line

**Table 4: Refrigeration Frame Assembly
720522311 & 720522312**

Item No.	Part No.	Name
22	720503201	Compressor, 1/10 HP 120V/60Hz, R-134a
23	720503203	Grommet, Compressor Mounting
24	620047376	Heat Exchange Assembly
25	720500801	Harn Wire Condenser
26	0704105	Screw #8-32 x 1/2" Lg. THMS
27	720509702	Nut - Jam Bulkhead FTG Quest
29	720509701	Fitting, Bulkhead Water
30	720500012	Washer, Split-Lock 0.641" I.D.
31	720508402	Frame Refrigeration Upper Qst2
32	720501811	Tube, Formed, Compressor Discharge
33	850000541	Fitg - Push 8/16 - 3/8
36	560002319	Fitg - Push L 5/16 Seal x 3/8
37	720509208	Fitg - Push Conn 3/8 x 3/8 NPTF
38	720509209	Clip Locking Fitting
39	48456	Tubg 1/4 ID x 3/8 OD Premier
40	750700501	Clip Locking 1/4 John Guest
41	361134	Tie Cable 07.88 x .25

TANK COVER ASSEMBLY
P/N 720504001 (115VAC)
P/N 720504002 (230VAC)

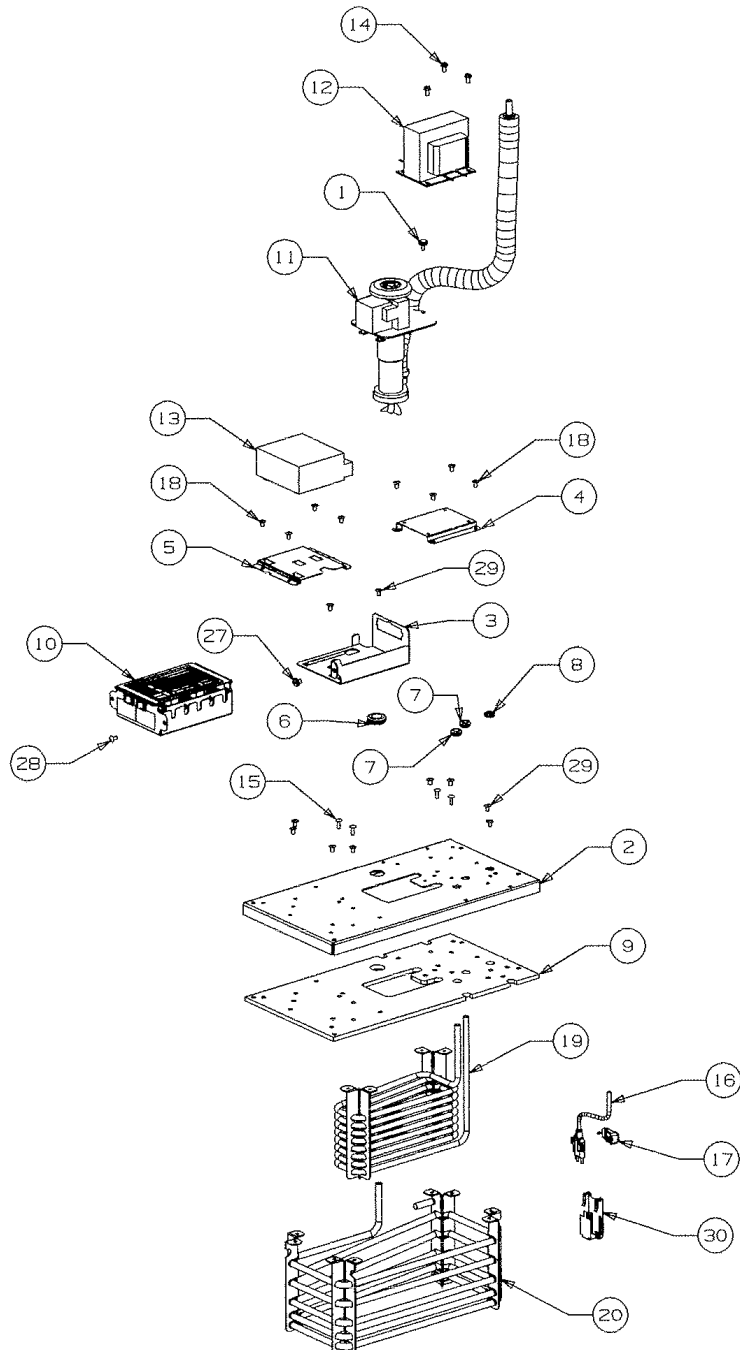


Figure 4. Tank Cover Assembly

**Table 5: Tank Cover Assembly
720504001 & 720504002**

Item No.	Part No.	Name
1	720500069	Screw SM 08-32 THMS 12 SS
2	720503402	Cover Tank Waterbath QST2
3	720522002	Brkt Support Elect Box QST2
4	720500026	Brkt Transformer QST
5	720521101	Brkt Ice Bank Cntl QST2
6	720509222	Grommet
7	720509224	Grommet
8	720508102	Tank Deck Insulation
10	720521000	Electrical Box Assembly, QLT
11	720502803X	Pump Asy Agit 230/50 QST4
12	720500794	Transformer 230V/24V QST2
13	440000901	P-Control Ice Bank 230V Global
14	07061001	Screw, #10 Type "F" HHWF, 3/8" Lg.
15	0704105	Screw, #8-32 X 1/2" Lg., THMS
16	440000904	Probe Ice Bank GCC
17	440000906	Clip Retain Probe Plastic Blk
18	400276	Rivet

**Table 5: Tank Cover Assembly
720504001 & 720504002**

Item No.	Part No.	Name
19	720501402	Coil Prod Asy QST2
20	720501702	Coil Refrig Assy QST2
21	440000907	P- Housing, Electrical Plug A GIBC
22	440000908	P- Housing, Electrical Plug B GIBC
23	440000909	P- Housing, Electrical Plug C GIBC
24	440000920	P- Cover "B"
25	440000919	P- Cover "A"
26	440000921	P- Cover "C"
27	3110001	Nut, Rivet
28	0704101	Screw, #8-32 X 3/8" Lg., THMS
29	60061097	Rivet .188x.375x .438 DOME SS
30	750300015	Brkt Probe GIBC
31*	620047348	Harness Fuse Assem. Lighting Circuit (620093001 Fuse 2.0 Amp 250 Volt)
32*	620047190	Harness Fuse Assem. Pump Circuit (59328001 Fuse 6.25 Amp 250 Volt)

* Not Shown

CABINET ASSEMBLY

P/N 720522211 (115VAC)
P/N 720522212 (230VAC)

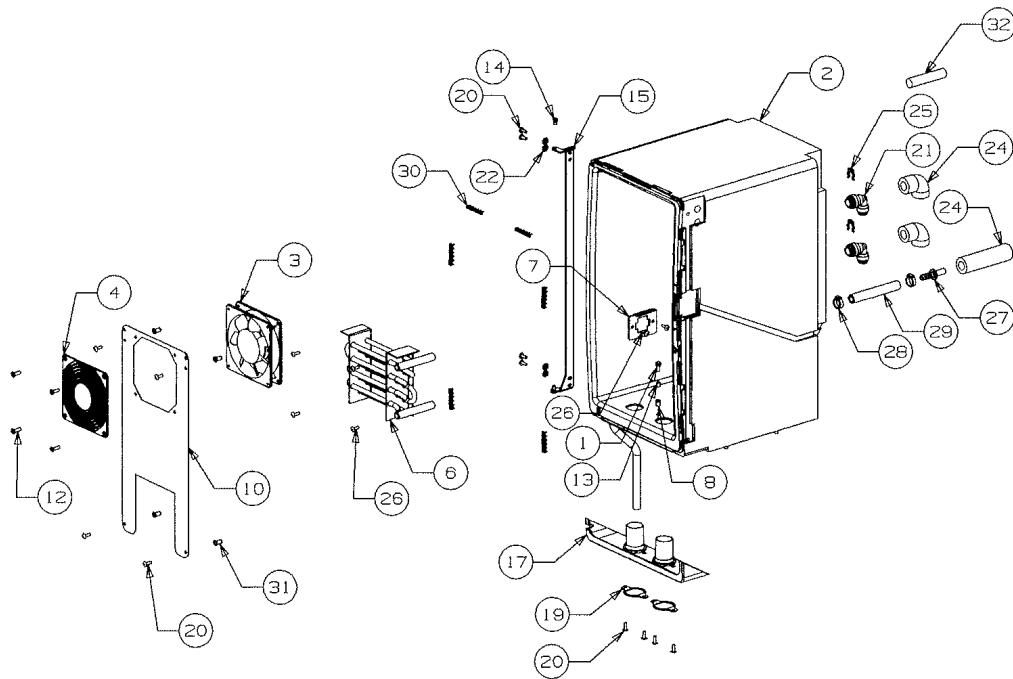


Figure 5. Cabinet Assembly

Table 6: Cabinet Assembly 720522211 & 720522212

Item No.	Part No.	Name
2	720505402	Liner Assembly, Quest 2000
3	720506105	Fan-Assy 230/50/60 4.7 x 4.7 x 1.0
4	720506106	Guard Fan EBM 9000 & 4000 SERI
6	720506202	Water Coil, Quest 2000
8	720201806	Insert THD 10-32 Brass W/ FLANG
10	720521301	Rear Cabinet Panel, Quest 2000
12	0705806	Screw MA 10-32 FL 20 SS
13	04441	Lower Space

Table 6: Cabinet Assembly 720522211 & 720522212

Item No.	Part No.	Name
15	720500770	Top Hinge Assembly
	720500771	Bottom Hinge Assembly
	720500787	Door Catch
16	45051	Stud-Latch #10-32
17	720520401	Lower Cabinet Panel, Quest 2000
19	720511301	Nozzle Plate
21	720509206	Fitting, Union Elbow, 3/8" X 1/2" JG
24	720703004	Insulation Polyethylene 5/8 OD
31	720702003	Nut - Riv 08-32 STZI Knurled .0

DOOR ASSEMBLY P/N 720522400

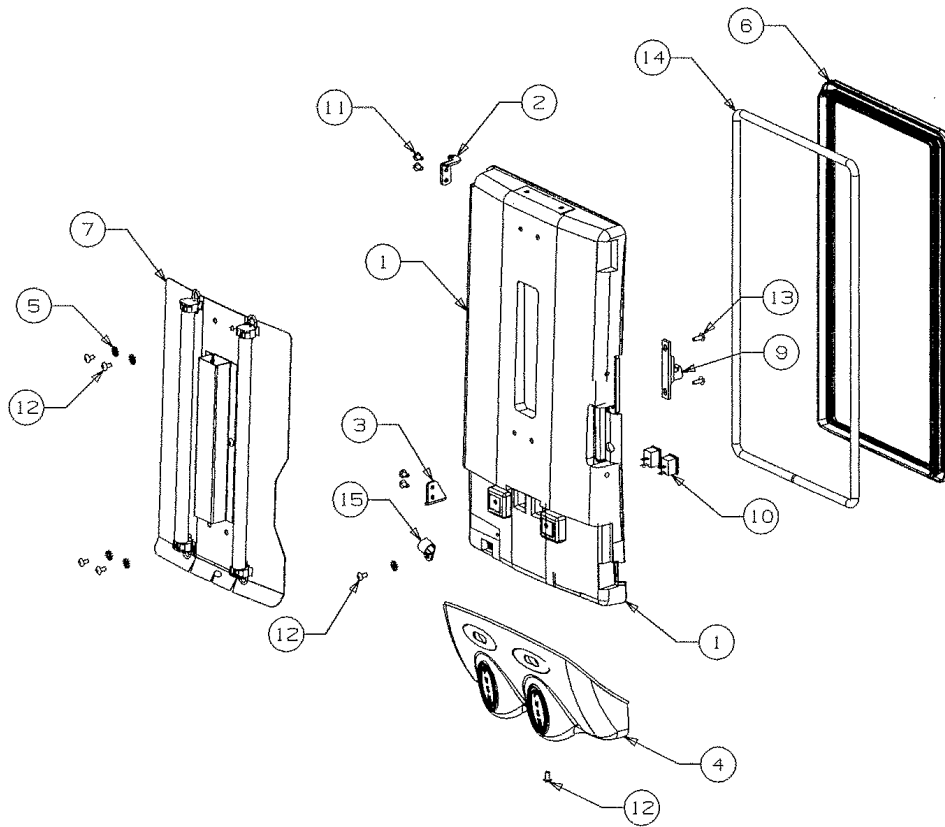


Figure 6. Door Assembly

Table 7: Door Assembly - 720522400

Item No.	Part No.	Name
1	720522410	Rear Door Assembly
2	720500764	Top Hinge Plate
3	720500765	Bottom Hinge Plate
4	720522501X	Door Asy Lower QST2 PB
5	8468	Washer Star #10 SS
6	720520601	Molded Gasket

Table 7: Door Assembly - 720522400

Item No.	Part No.	Name
7	720521901	Light Panel Assembly
9	720704001	Latch Door
10	45432	Rocker Switch, Sealed
11	400276	Rivet
12	0704101	Screw, #8-32 X 3/8" Lg., THMS
15	254413	Clamp Cable Nylon 1/2" ID X .203

LOWER DOOR PANEL ASSEMBLY - PUSH BUTTON P/N 720522501

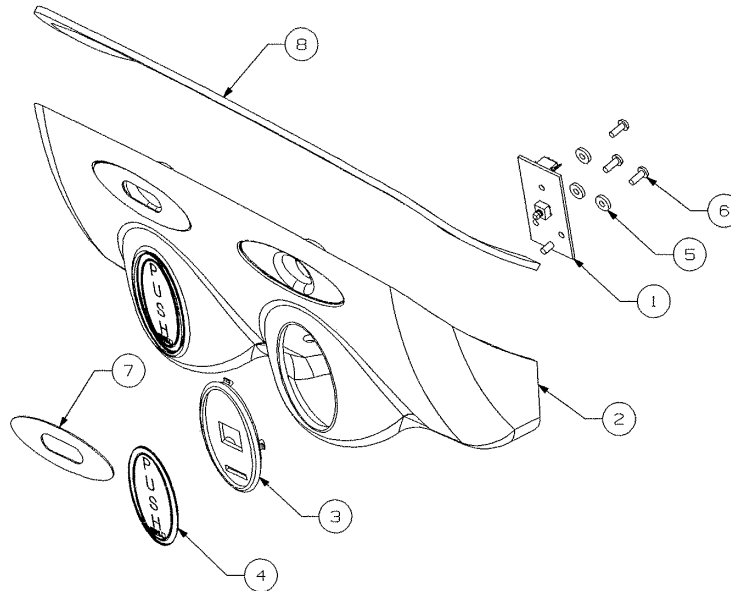


Figure 7. Lower Door Panel Assembly

Table 8: Lower Door Panel Assembly - 720522501

Item No.	Part No.	Name
1	720508801	Board - Push and Hold
2	720508902	Panel, Lower Door, Quest 2000
3	720508502	Red, Push Button Bezel Quest
4	720508601	Push-Overlay, Quest

Table 8: Lower Door Panel Assembly - 720522501

Item No.	Part No.	Name
5	07301029	Washer, .312 O.D. X .125 I.D. (Nylon)
6	0712901	Screw #4 Type "B" B.H.
7	720511299	Flavor Strip Magnetic Receptive, Quest
8	720703502	Gasket Foam Strip Lower Door, Quest

LOWER DOOR PANEL ASSEMBLY - PORTION CONTROL P/N 720522502

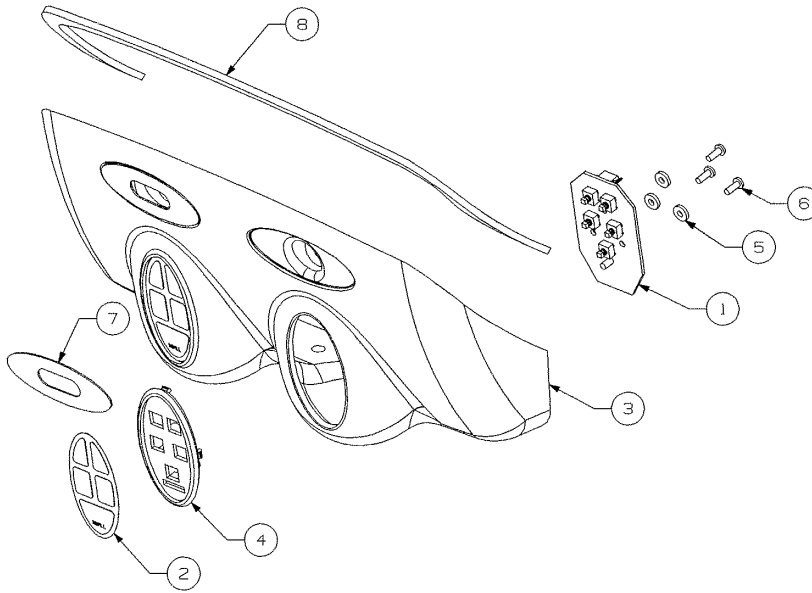


Figure 8. Lower Door Panel Assembly

Table 9: Lower Door Panel Assembly - 720522502

Item No.	Part No.	Name
1	720508802	Board, Portion Control
2	720508505	Bezel, Portion Control
3	720508902	Lower Door Panel
4	720508602	Overlay, Portion Control

Table 9: Lower Door Panel Assembly - 720522502

Item No.	Part No.	Name
5	07301029	Nylon Flat Washer, 0.312" OD X 0.125 ID
6	0712901	Screw, #4 Type "B" BH
7	720511299	Kit Flav Strip Magnetic Recept
8	720703502	Gasket Foam Strip Lower Door

PLATFORM ASSEMBLY P/N 620048066

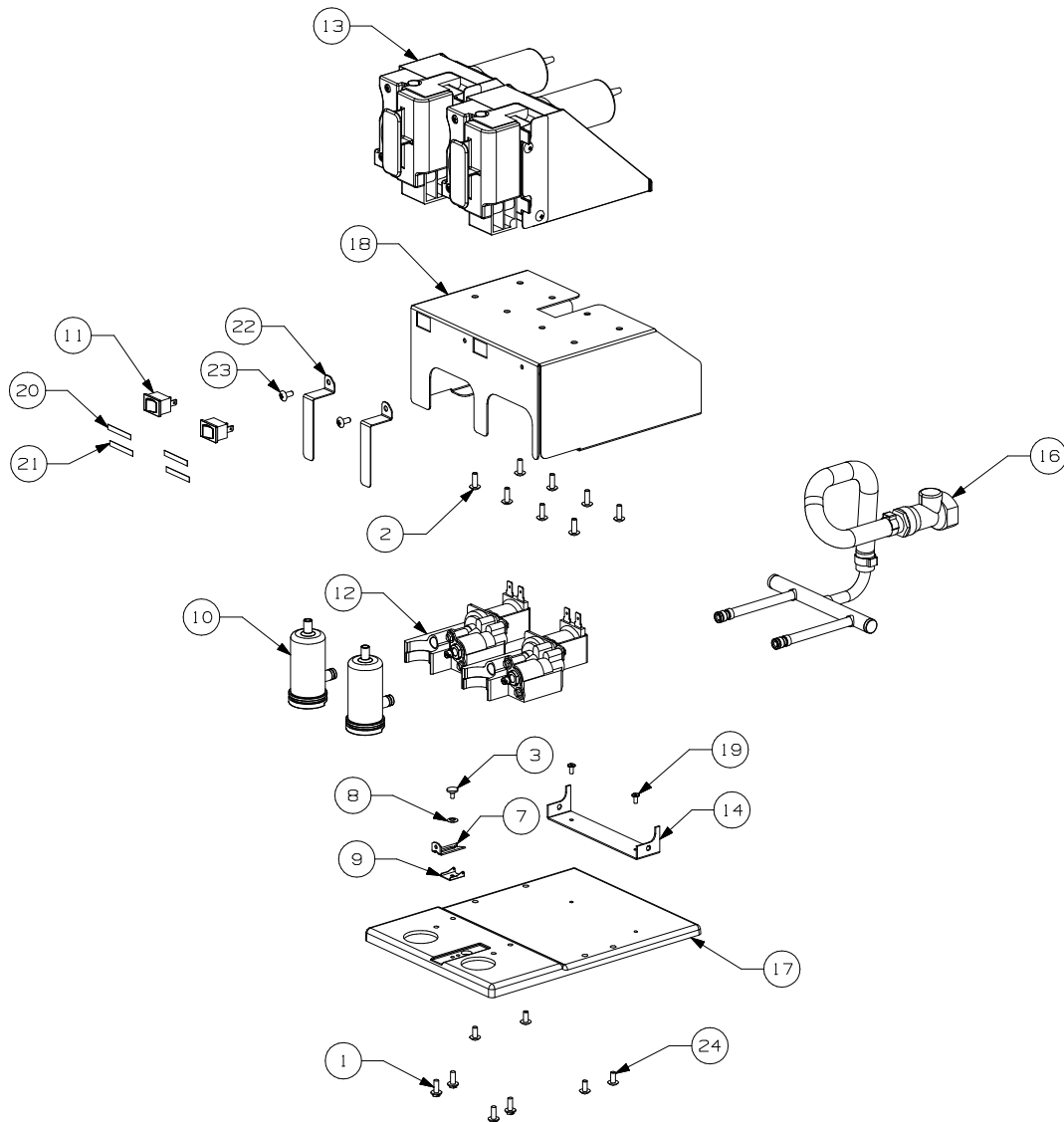


Figure 9. Platform Assembly

Table 10: Platform Assembly - 620048066

Item No.	Part No.	Name
1	078032001	Screw #8-18 x 7/16 Type 25 HHW
2	0704105	Screw #8-32 X 1/2" LG THMS
3	720701001	Rivet Platform Base QST
4	11877	Jumper Assy Red Flush QLT 180
5	11888	Harn Assy Platform SLJT1000-2
6	11887	Jumper Assy Red Flush Switch AL
7	45046	Latch #2 Medium SS
8	45047	Guide Latch #2 Med
9	45048	Washer Latch #2 Med
10	720531819	Chamber Mixing Assy QLT180 Day
11	45432	Switch Rocker Sealed
12	45508200X	Valve Block Assy QLT Generic

Table 10: Platform Assembly - 620048066

Item No.	Part No.	Name
13	45514100x	Pump Assy Qlt180
14	45542	Manifold Brkt QLT180 2 Flav
15	55145	Wrap Ty 5 1/2" Long
16	720509312	Manifold Assy Water QLT/Qst2
17	720520301	Base Platform QLT QST2
18	620048064	Brkt Support Platform Qst2
19	0734801	Rivet, Pop 1/8 D X 06-125
20	7245541	Label Run Flush QLT180
21	7245821	Label Clean
22	620048065	Brkt Water Adjustment Cover QS
23	07115001	Screw TF 08-32 TRPH 12SS
24	70171	Screw, Mach. 08-32 TRPH 12 SS

PLATFORM ASSEMBLY P/N 720522100 QLT

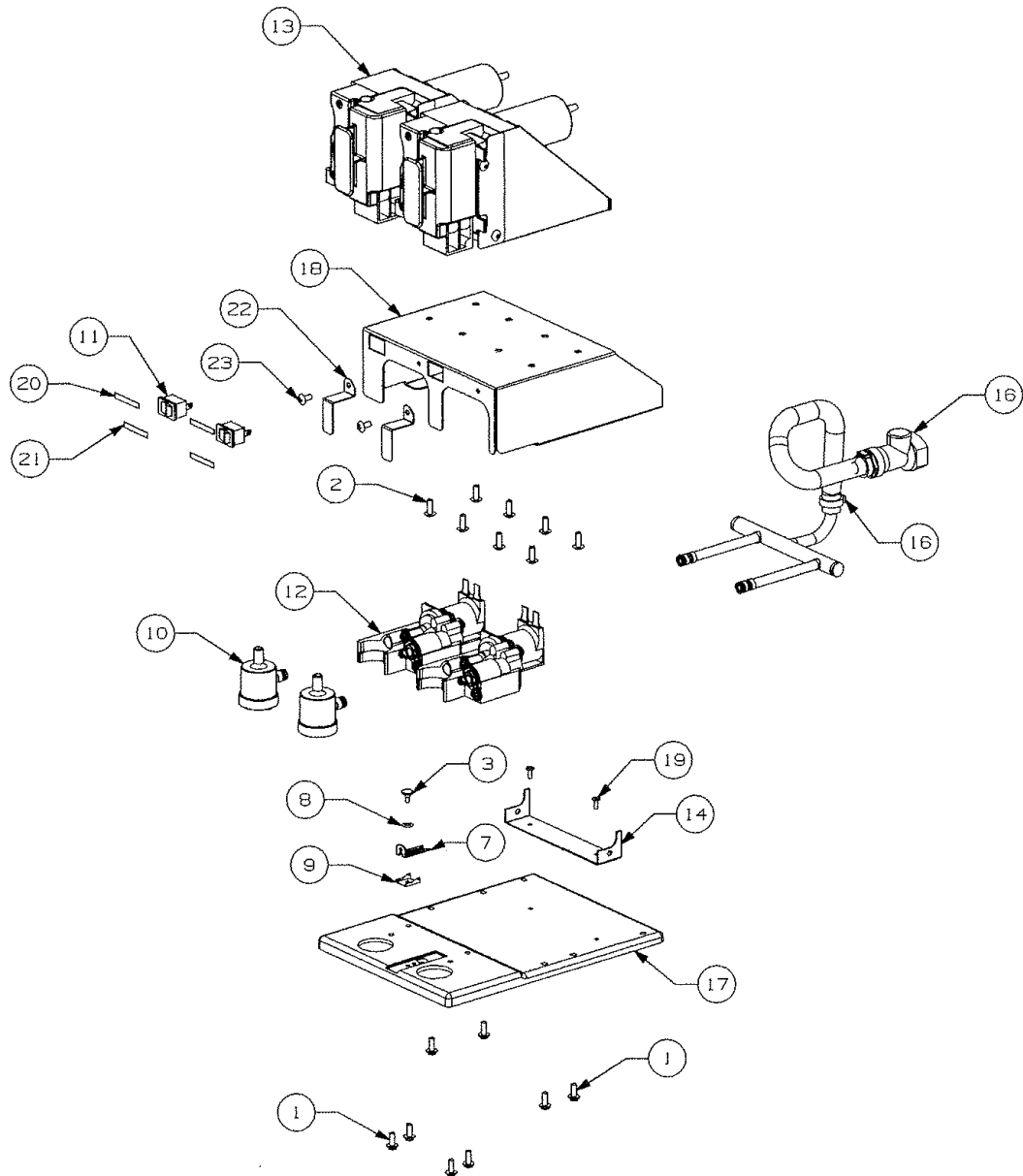


Figure 10. Platform Assembly - OLT

Table 11: Platform Assembly - OLT - 720522100

Item No.	Part No.	Name
1	078032001	Screw #8-18 x 7/16 Type 25 HHW
2	0704105	Screw #8-32 X 1/2" LG THMS
3	720701001	Rivet Platform Base QST
4	11877	Jumper Asy Red Flush QLT 180
5	11887	Jumper Asy Red Flush Switch AL
6	11888	Harn Asy Platform SLJT1000-2
7	45046	Latch #2 Medium SS
8	45047	Guide Latch #2 Med
9	45048	Washer Latch #2 Med
10	45364001X	Chamber Mixing Asy QLT180 Day
11	45432	Switch Rocker Sealed

Table 11: Platform Assembly - OLT - 720522100

Item No.	Part No.	Name
12	45508200X	Valve Block Asy QLT Generic
13	45514100x	Pump Asy Qlt180
14	45542	Manifold Brkt QLT180 2 Flav
15	55145	Wrap Ty 5 1/2" Long
16	720509312	Manifold Asy Water QLT/Qst2
17	720520301	Base Platform QLT QST2
18	720522011	Brkt Support Platform Qst2
20	7245541	Label Run Flush QLT180
21	7245821	Label Clean
22	720201429	Brkt Water Adjustment Cover QS
23	07115001	Screw TF 08-32 TRPH 12SS

PLATFORM ASSEMBLY
P/N 720401801 - STANDARD RATIO
P/N 620048930 - HIGH RATIO

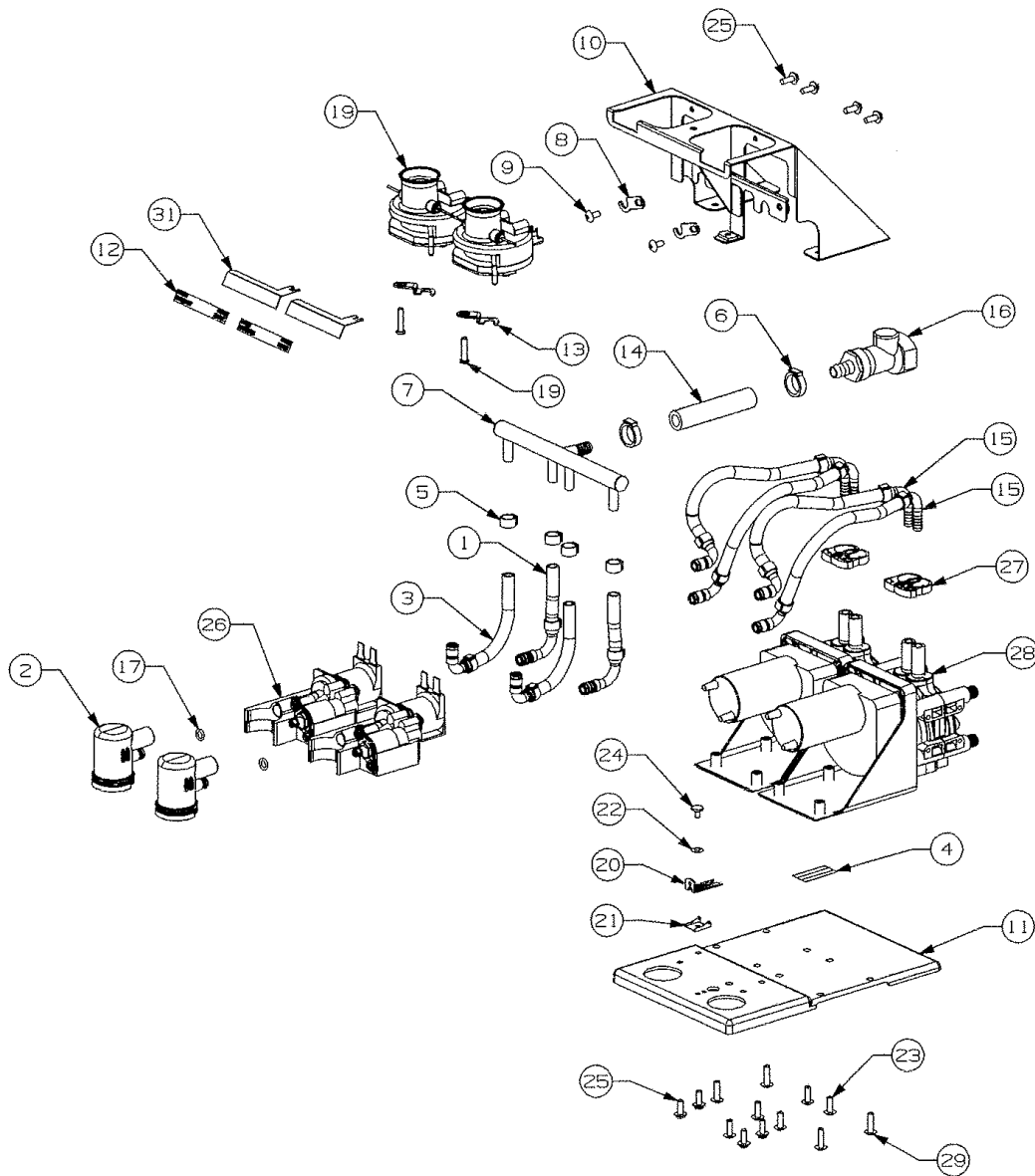


Figure 11. Platform Assembly

**Table 12: Platform Assembly - Standard Ratio -
720401801**

Item No.	Part No.	Name
1	720509104	Tube Asy Water Valve Inlet
2	720500033	Chamber Mixing QST4
3	720509105	Tube Asy Water Rinse Inlet
4	47554	Label Notice Data
5	48114004	Clamp OETR 413 Open Stpls #10.5
6	48114002	Clamp OETR 669 Open Stpls #17.0
7	720509304	Manifold Water SS Quest 4
8	724558601	Clip Tube Retainer QST
9	0704101	Screw MA 08-32 TRPH 12SS
10	720201433	Brkt Asy Platform SLJ QST IHOP
11	720202704	Base Platform SLJ QST IHOP
12	720901004	Label Dispense/Flush QST
13	720501209	Brkt Washer Holddown Hook QST
14	49034	Tube Tygon 3/8 ID x 5/8
15	720509103	Tube Asy Suction Quest
16	720720498	Coupling In-Line 3/8 ID HFC35
17	31525003	O-Ring 239 ID 070CS 60DU BU-N
18	11732	Harn Asy Platform SLJ1000
19	45026X	Adapter Bottle Asy SI Disp
20	45046	Latch #2 Medium SS
21	45047	Guide Latch #2 Med
22	45048	Washer Latch #2 Med
23	0704105	Screw #8-32 x 1/2" Lg THMS
24	720701001	Rivet Platform Base QST
25	07032001	Screw #8-18 x 7/16 Type 25 HHW
26	45508200X	Valve Block As QLT Generic
27	48195006	Clamp Hose .470 ID
28	45185X	Pump & Motor Asy 3-Roller
29	0704107	Screw #8-32 x5/8 THMS SS
30	720501706	Cap Plug .093 ID x.50Long 1/2"
31	720201434	Brkt Platform Label SLJ QST

**Table 13: Platform Assembly - High Ratio -
620048930**

Item No.	Part No.	Name
1	720509104	Tube Asy Water Valve Inlet
2	720500033	Chamber Mixing QST4
3	720509105	Tube Asy Water Rinse Inlet
4	47554	Label Notice Data
5	48114004	Clamp OETR 413 Open Stpls #10.5
6	48114002	Clamp OETR 669 Open Stpls #17.0
7	720509304	Manifold Water SS Quest 4
8	724558601	Clip Tube Retainer QST
9	0704101	Screw MA 08-32 TRPH 12SS
10	720201433	Brkt Assy Platform SLJ QST IHOP
11	720202704	Base Platform SLJ QST IHOP
12	720901004	Label Dispense/Flush QST
13	720501209	Brkt Washer Holddown Hook QST
14	49034	Tube Tygon 3/8 ID x 5/8
15	620048932	Tube Asy Suction Quest
16	720720498	Coupling In-Line 3/8 ID HFC35
17	31525003	O-Ring 239 ID 070CS 60DU BU-N
18	11732	Harn Asy Platform SLJ1000
19	45026X	Adapter Bottle Asy SI Disp
20	45046	Latch #2 Medium SS
21	45047	Guide Latch #2 Med
22	45048	Washer Latch #2 Med
23	0704105	Screw #8-32 x 1/2" Lg THMS
24	720701001	Rivet Platform Base QST
25	07032001	Screw #8-18 x 7/16 Type 25 HHW
26	45508200X	Valve Block As QLT Generic
27	48195004	Clamp Hose 0.250 ID
28	720270200	Pump & Motor Assy High Ratio
29	0704107	Screw #8-32 x5/8 THMS SS
30	720501706	Cap Plug .093 ID x.50Long 1/2"
31	720201434	Brkt Platform Label SLJ QST

PUMP ASSEMBLY

P/N 45185 - Standard Ratio

P/N 720270200 - High Ratio

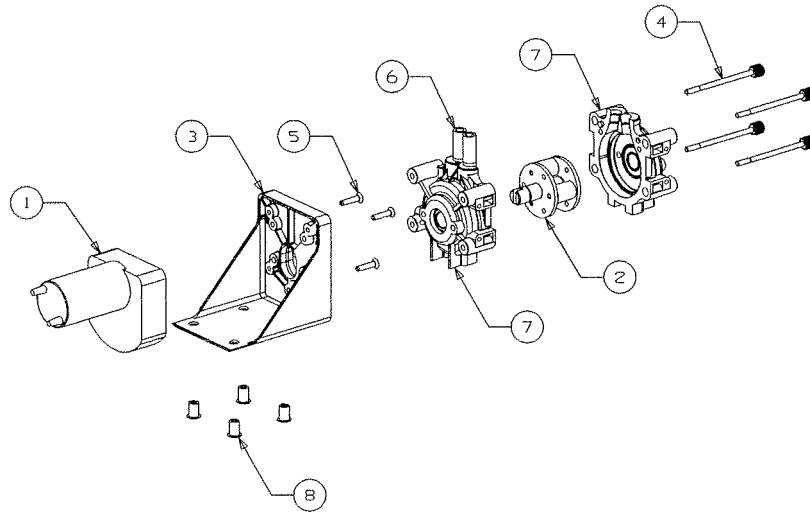


Figure 12. Pump Assembly

Table 14: Pump Assembly - Standard Ratio - 45185

Item No.	Part No.	Name
1	45016001	Pump Gear Motor
2	45728001	Rotor Assembly (Thick Wall)
3	45050	Pump & Motor Mounting Block
4	720701407	Thumb Screw, #8-32 X 3" Lg.
5	0702905	Screw, #8-32 X 3/4" FHMS
6	45098	Pump Tubing Kit (pump tubing, clamps, & instructions)
*	45078	Pump Assembly (Items 2 & 7)
7	45727	Pump Body, Front/Rear
8	45283	Rubber Bushing w/Nut Insert

* Not Shown

Table 15: Pump Assembly - High Ratio - 720270200

Item No.	Part No.	Name
1	45016001	Pump Gear Motor
2	45728002	Rotor Assembly (Thin Wall)
3	45050	Pump & Motor Mounting Block
4	720701407	Screw, #8-32 X 2-3/4" PHIL. PH Machine
5	0702905	Screw, #8-32 X 3/4" FHMS
6	48437	Tubing Neoprene Thin Wall
7	720270300	Pump Body Assy High Ratio
8	45283	Rubber Bushing

BOTTLE ADAPTER ASSEMBLY P/N 45026

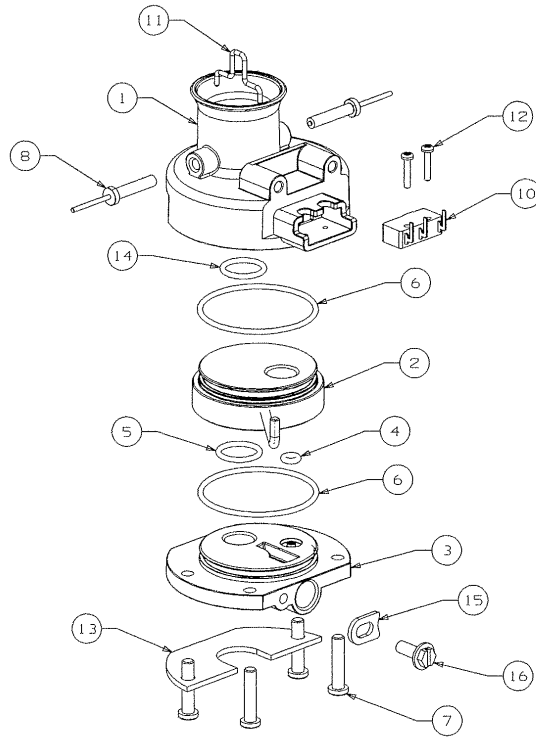


Figure 13. Bottle Adapter Assembly

Table 16: Bottle Adapter Assembly - 45026

Item No.	Part No.	Name
1	45060001	Caddy Adapter, Top
2	45060002	Run & Flush Valve
3	45060003	Caddy Adapter, Bottom
4	31525062	O-Ring 0.276 OD X 0.118 ID
5	31525064	O-Ring 5/8" OD X 0.489 ID TFE/SIL
6	31525061	O-Ring 1.489" ID X 0.070" Dia.
*	45026100	O-Ring Kit (includes all O-rings needed to rebuild bottle adapter)
7	07015001	Screw, #8-18 Hi-Lo, Ph.

Table 16: Bottle Adapter Assembly - 45026

Item No.	Part No.	Name
8	45043	Pin-Sensor, Sold Out
10	6006821	Switch, Snap Action
11	45076	Actuator Pin
12	60067086	Screw, #2-56 X 7/16" PH, SS
13	45084001	Caddy Plate
14	31525014	O-Ring 5/8" OD X 0.489 ID
15	7222081	Hold Down Washer
16	07032001	Screw, #8-18 X 7/16 Type "25" HHWF

VALVE BLOCK ASSEMBLY P/N 45508200

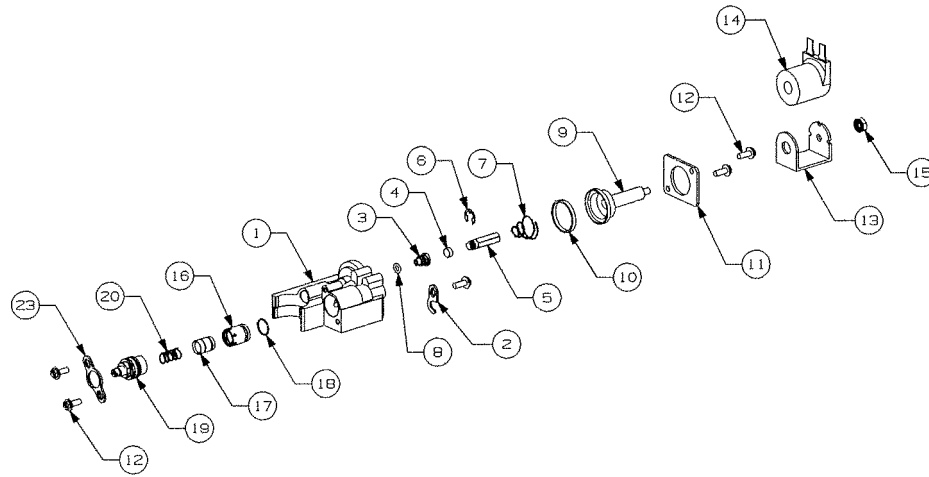


Figure 14. Valve Block Assembly

Table 17: Valve Block Assembly - 45508200

Item No.	Part No.	Name
1	45506100	Valve Block
2	45586	Hold Down Washer
3	49612	Valve Port, Water
4	620711131	Armature Seat, Water, FFV
5	7215323	Armature, Solenoid Valve
6	71815321	Retaining Ring, 0.242 ID
7	18367	Coil Spring, SS
8	31525020	O-Ring 5/16" OD X 0.176 ID
9	19695001	Guide
10	620710107	Rubber Gasket, Valve Block
11	45518	Bracket, Valve Block

Table 17: Valve Block Assembly - 45508200

Item No.	Part No.	Name
12	07032001	Screw, #8-18 X 7/16" Type "25" HHWF SS
13	16779003	"C" Frame, Solenoid
14	48520001	Coil, 24VDC
15	0720406	Nut #10-32 KEPS
16	60281001	Ceramic Sleeve, Syrup, FFV
17	60280002	Ceramic Piston, Water, FFV
18	31525060	O-Ring 0.539" X 0.459" X 0.875" OD
*	48979103	Spool & Sleeve Assembly (includes items 16, 17, & 18)
19	7245699	Flow Control/Bonnet Assembly
20	48258005	Spring, Syrup, FFV
23	45587	Hold Down Washer

ELECTRICAL BOX ASSEMBLY P/N 720521000 (QST 2 QLT)

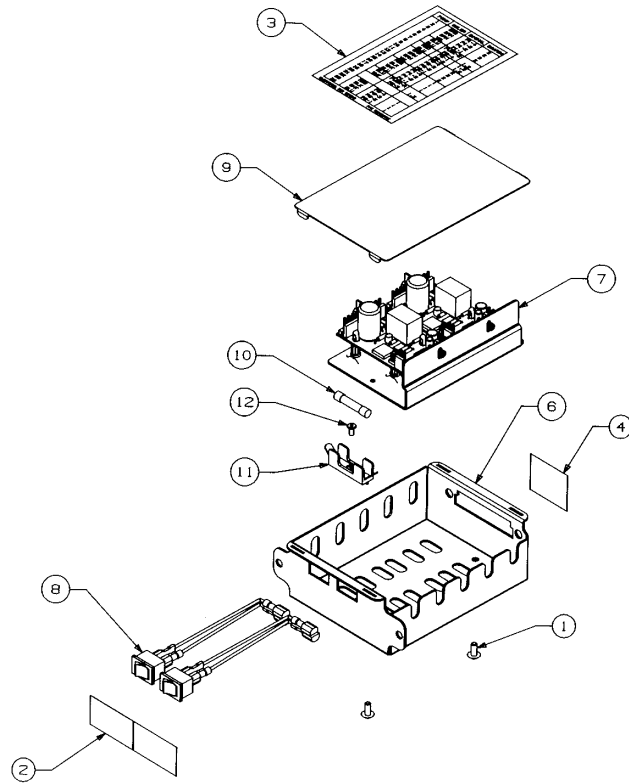


Figure 15. Electrical Box Assembly

Table 18: Electrical Box Assembly - 720521000 - QST 2 QLT

Item No.	Part No.	Name
1	07115001	Screw TF 8-32 TRPH 12 SS
2	45621	Label Pump Speed Switch
3	720901002	Label Wiring E-Box
4	45758	Label Fuse Rating
5	720522003	Wire Harness Internal Elect. Box QST 2000 QLT
6	720521001	Electrical Box Quest 2000

Table 18: Electrical Box Assembly - 720521000 - QST 2 QLT

Item No.	Part No.	Name
7	720521500	Reg. Voltage ASMB. QLT Quest 2000
8	45432001	Rocker Switch ASMB.
9	720521201	Cover Electrical Box Quest 2000
10	59328001	Fuse 6.25 Amp 250V SLJ
11	7245059	Fuse Holder
12	0734801	Rivet, Pop

* Not Shown

ELECTRICAL BOX ASSEMBLY P/N 720301304 (QST 2 SLJ)

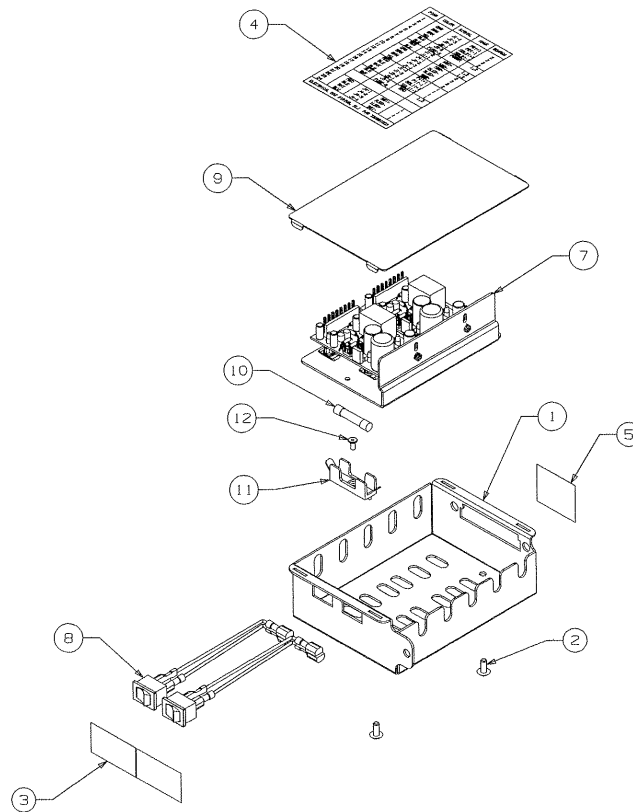


Figure 16. Electrical Box Assembly

Table 19: Electrical Box Assembly - 720301304 - QST 2 SLJ

Item No.	Part No.	Name
1	720521001	Electrical Box Quest 2000
2	07115001	Screw TF 8-32 TRPH 12 SS
3	45621	Label Pump Speed Switch
4	720901003	Label Wiring Electrical Box
5	45758	Label Fuse Rating
6	720301708	Wire Harness Internal Elect. Box SLJ Quest 2000

Table 19: Electrical Box Assembly - 720301304 - QST 2 SLJ

Item No.	Part No.	Name
7	720504504	Voltage Regulator ASMB. Quest
8	45432001	Rocker Switch ASMB.
9	720521201	Cover Electrical Box Quest 2000
10	59328001	Fuse 6.25 Amp 250V SLJ
11	7245059	Fuse Holder
12	0734801	Rivet, Pop

* Not Shown

GENERIC BOTTLE ASSEMBLY

P/N 720500066

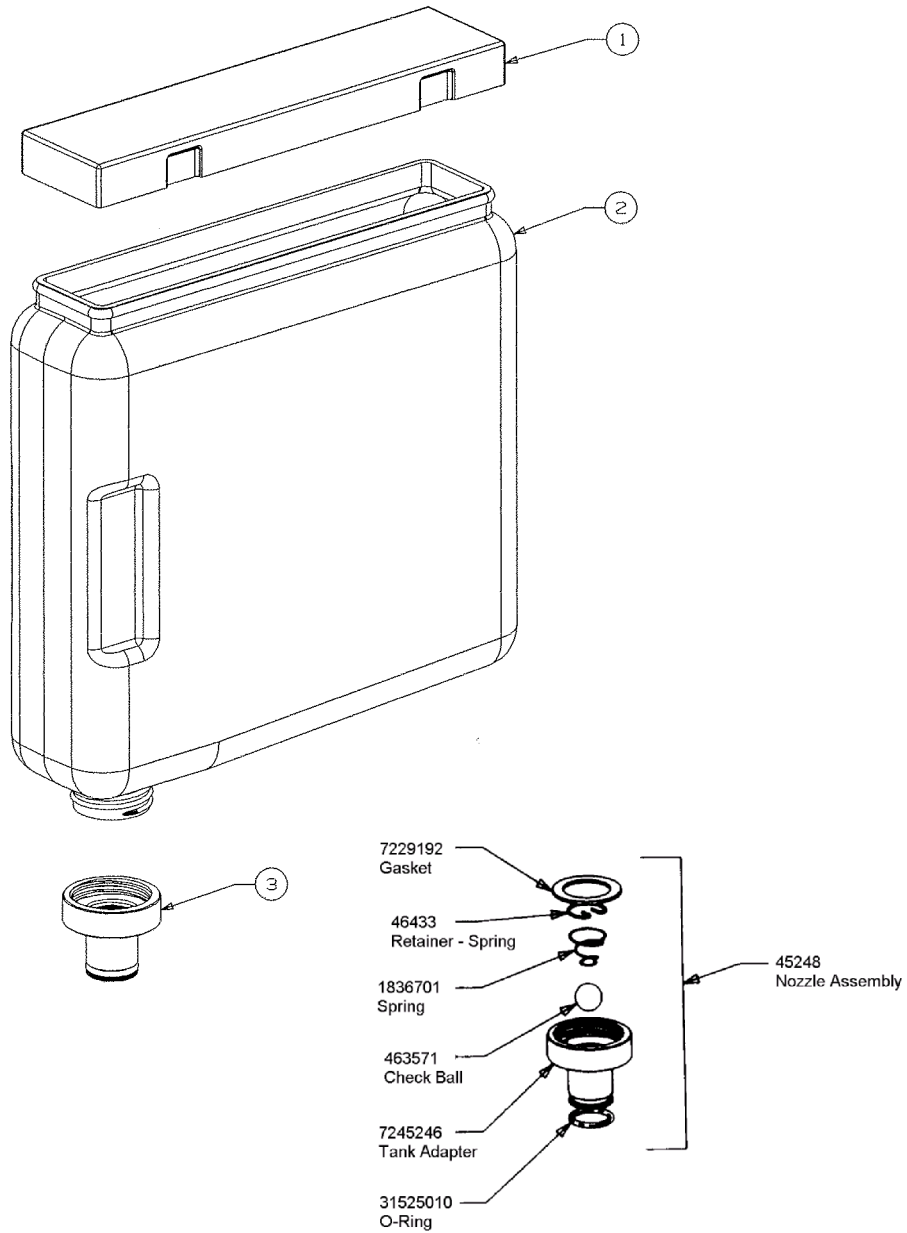


Figure 17. Generic Bottle Assembly

Table 20: Generic Bottle Assembly - 720500066

Part Number	Description	Part Name
1	720531826	Lid
2	720510101	Bottle, Generic
3	45248	Adapter Assembly, Bottle



RECOMMENDED SPARE PARTS LIST

IMI Cornelius Quest 2000 Series Juice Dispenser - 115VAC & 230VAC (based on 10 machines)

Table 21:

Part Number	Description	Quantity
560004360	Condenser Fan, Motor 115VAC	1
560004361	Condenser Fan, Motor 230VAC	1
620711131	Seat, Armature - Water Valve	2
18367	Spring, Coil S/S - Water Solenoid	2
31314	Fluorescent Bulb	2
720500795	Transformer, 115VAC	1
45098	Pump Tubing Kit	4
45432	Inner Door Switch	1
7215323	Armature - Water Solenoid	1
7245699	Flow Control/Bonnet Assembly	2
620710107	Rubber Gasket	2
19695001	Guide, Water Solenoid	1
31525037	O-Ring - Dispensing Nozzle	2
720521500	Voltage Regulator Board, QLT	2
720504602	Voltage Regulator Board, SLJ	2
45016001	Pump Gear Motor	2
45026100	Bottle Adapter O-Ring Kit (all O-rings in bottle adapter)	1
45091001	Main Water Solenoid Valve	1
45728001	Pump Rotor Assembly	1
48520001	Coil, 24VDC, Valve Block	1
48979103	Spool & Sleeve Asmb w/ 31525-060 O-Ring	2
59328001	Fuse, 6.25 Amp, 250VAC	4
440000902	Global Ice Bank Control	1
720520501	Drip Tray Grill	1
720500102	Drip Tray	1
720520601	Door Gasket	1
720202009	Catch w/switch	1
720502800	Agitator Motor	1
720503201	Compressor, 115VAC	1
720503206	Overload, Compressor, 115VAC	1
720503207	Relay, Compressor, 115VAC	1
720503208	Capacitor, Compressor, 115VAC	1
720506104	Cabinet Fan, 115VAC	2
720507101	Dispense Nozzle, Static Mixer, & O-Ring	1
720508801	Push Button Control Board	1
720508802	Portion Control Board	2
720511606	Ballast Board	1
720704001	Latch, Door	1
620093001	Fuse 2.0 Amp 250 Volt	4



IMI Cornelius Inc.
www.cornelius.com