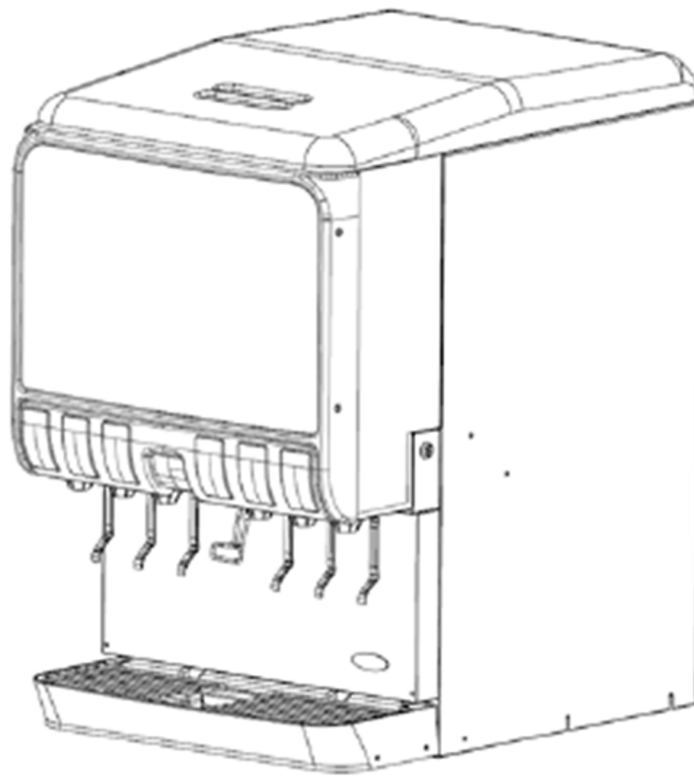




**ILLUSTRATED PARTS LIST
ED150 INTELICARB**



Publication Number: 620070136IPL

Release Date: April 28, 2022

Revision Date: April 28, 2022

Revision: A

Visit the Cornelius web site at www.cornelius.com for all your Literature needs.

The products, technical information, and instructions contained in this manual are subject to change without notice. These instructions are not intended to cover all details or variations of the equipment, nor to provide for every possible contingency in the installation, operation or maintenance of this equipment. This manual assumes that the person(s) working on the equipment have been trained and are skilled in working with electrical, plumbing, pneumatic, and mechanical equipment. It is assumed that appropriate safety precautions are taken and that all local safety and construction requirements are being met, in addition to the information contained in this manual.

This Product is warranted only as provided in Cornelius' Commercial Warranty applicable to this Product and is subject to all of the restrictions and limitations contained in the Commercial Warranty.

Cornelius will not be responsible for any repair, replacement or other service required by or loss or damage resulting from any of the following occurrences, including but not limited to, (1) other than normal and proper use and normal service conditions with respect to the Product, (2) improper voltage, (3) inadequate wiring, (4) abuse, (5) accident, (6) alteration, (7) misuse, (8) neglect, (9) unauthorized repair or the failure to utilize suitably qualified and trained persons to perform service and/or repair of the Product, (10) improper cleaning, (11) failure to follow installation, operating, cleaning or maintenance instructions, (12) use of "non-authorized" parts (i.e., parts that are not 100% compatible with the Product) which use voids the entire warranty, (13) Product parts in contact with water or the product dispensed which are adversely impacted by changes in liquid scale or chemical composition.

Contact Information:

To inquire about current revisions of this and other documentation or for assistance with any Cornelius product contact:

www.cornelius.com

800-238-3600

Trademarks and Copyrights:

This document contains proprietary information and it may not be reproduced in any way without permission from Cornelius.

Printed in U.S.A.



Item No.	Part No.	Name
1	21491	Gate Slide
3	Not Used	
4	**29303R	Plate, Motor Mounting
5	15346	Agitator Assy
6	29483	Cover, Rear Wrapper (ED 150)
7	620050605	Lower Panel (For Drip Tray-150)
	620050609	Lower Panel (Z Model-150)
8	15199	Extension Assy, Drip Tray
9	Not Used	
10	29313	Wrapper (ED 150)
11	Not Used	
12	Contact Sales	Panel Cold Plate/Faucet Assy
13	27107	Retainer, Lever, Ice Dispenser
14	10145	Pin, Drip Tray Mounting
15	31007	Boot, Switch
16	Not Used	
17	50767	Snap Bushing
18	Not Used	
19	15087	Retainer, Agitator
20	Not Used	
21	30794	Agitator Motor Heater, 120 Volt
	32826	Agitator Motor Heater, 220-240 Volt
22	30895	Dispense Switch
23	53011	Elbow, Cold Plate, Drain
24	31622	Bulb-Daylight 18"
25	**620307901	Agitator Motor, 120 Volt
	**620307902	Agitator Motor, 220-240 Volt
26	32954	Solenoid Assembly, 120 Volt
	33409	Solenoid Assembly, 220-240 Volt
27	Not Used	
28	Not Used	
29	Not Used	
30	620200148	Box Elec Assy ED/DF150 115V (ED 150)
	620303301	Electrical Box Ass'y, 120 Volts (ED 150 Ice Only)
	620302301	Electrical Box Ass'y, 220-240 Volts (ED 150)
	620303302	Electrical Box Ass'y, 220-240 Volts (ED 150 Ice Only)

31	Not Used	
32	620045913	Bracket, Motor Mounting (ED 100 & ED 150)
33	Not Used	
34	71010	Washer, Captivating No. 8
35	Not Used	
36	Not Used	
37	Not Used	
38	Not Used	
39	620019701	Hinge, Gusset
40	Not Used	
41	Not Used	
42	Not Used	
43	Not Used	
44	**620061993	Seal, Agitator Motor Shaft
45	Not Used	
47	**51908	Plug (120 Volt Models Only)
48	**52876	Gasket, Motor Shaft
49	620500901	Ice Chute
50	53168	Cover, Ice Chute
51	620513603	Access Cover
52	53227	Agitator Disk
53	740002320	Merchandiser Plexiglass ED150
54	740002372	Frame Assy ED150
55	53202	Drip Tray, Black (ED 100 & ED 150)
56	52879	Lid, Dispenser, Black (ED 100 & ED 150)
57	52872	Hopper Assy., Foamed (ED 150)
58	15437	Baffle
59	52967	Plug
61	620516655	Cover C-PLT Foamed Asy ED150
62	70016	Hex Nut, No. 10-32
63	70017	Hex Nut, No. 10-32, Nyloc
64	**70018	Hex Nut, 1/4-20
65	Not Used	
66	**70048	Washer, .255 I.D.
67	70056	Washer, No. 10, .219 I.D.
68	70067	Washer, .218 I.D.
69	70076	Hex Nut, No. 8-32
70	70104	Insert, Threaded, No. 8-32
71	Not Used	
72	70171	Machine Screw, Phil Truss Hd, No. 8-32 By 3/8-In. Long
73	70178	Machine Screw, Phil Truss Hd, No. 8-32 By 1/2-In. Long



75	Not Used	
76	Not Used	
77	15500	Lever, Dispense, Short (Cup Activated)
	15501	Lever, Dispense (Ice Dispense)
78	Not Used	
79	** 70260	Machine Screw, Phil Rd Hd, 1/4-20 By 1-In. Long
80	70320	Pop Rivet, 1/8
81	70341	Spring, Motor Heater
82	620701601	Thread Forming Screw, Phil Pan Hd, No. 10-16 By 1/2-In. Long
83	70478R	Clip, Push On
84	70555	Machine Screw, Phil Truss Hd, No. 8-32 By 2 5/8-In. Long
*85	70750	Hose Clamp, Worm
86	71006	Machine Screw, Phil Truss Hd, No. 8-32 By 2 1/8-In. Long
87	53299	Clip, Black
88	70959	Hex Nutsert, No. 8-32

*89	71011	Leg
90	70992	Receptacle, 1/4 Turn
91	** 70993	Retainer, 1/4 Turn
92	** 70994	Stud Wing Head, 1/4 Turn
93	70847	Spacer, Switch
94	70456	Pop Rivet, 3/16
95	71036	Cup Rest
96	71089	Shoulder Screw, No. 8-32
*97	51288	Adapter, 1" Barb x 3/4 MPT
*98	50952	Adapter, 3/4 Soc x 3/4 FPT
*99	620702201	Cold Plate Cleaning Brush
100	** 620061994	Gasket
101	** 620062925	Quad-ring

NOTE: * Not Shown

****Parts Included in Agitator Motor Kit**

*****For 220-240V Models, [51908](#) Plug Replaced**

By [620303001](#) Push-Button Switch

[620303002](#) Switch Block

KIT ICE CHUTE DOUBLE GASKET

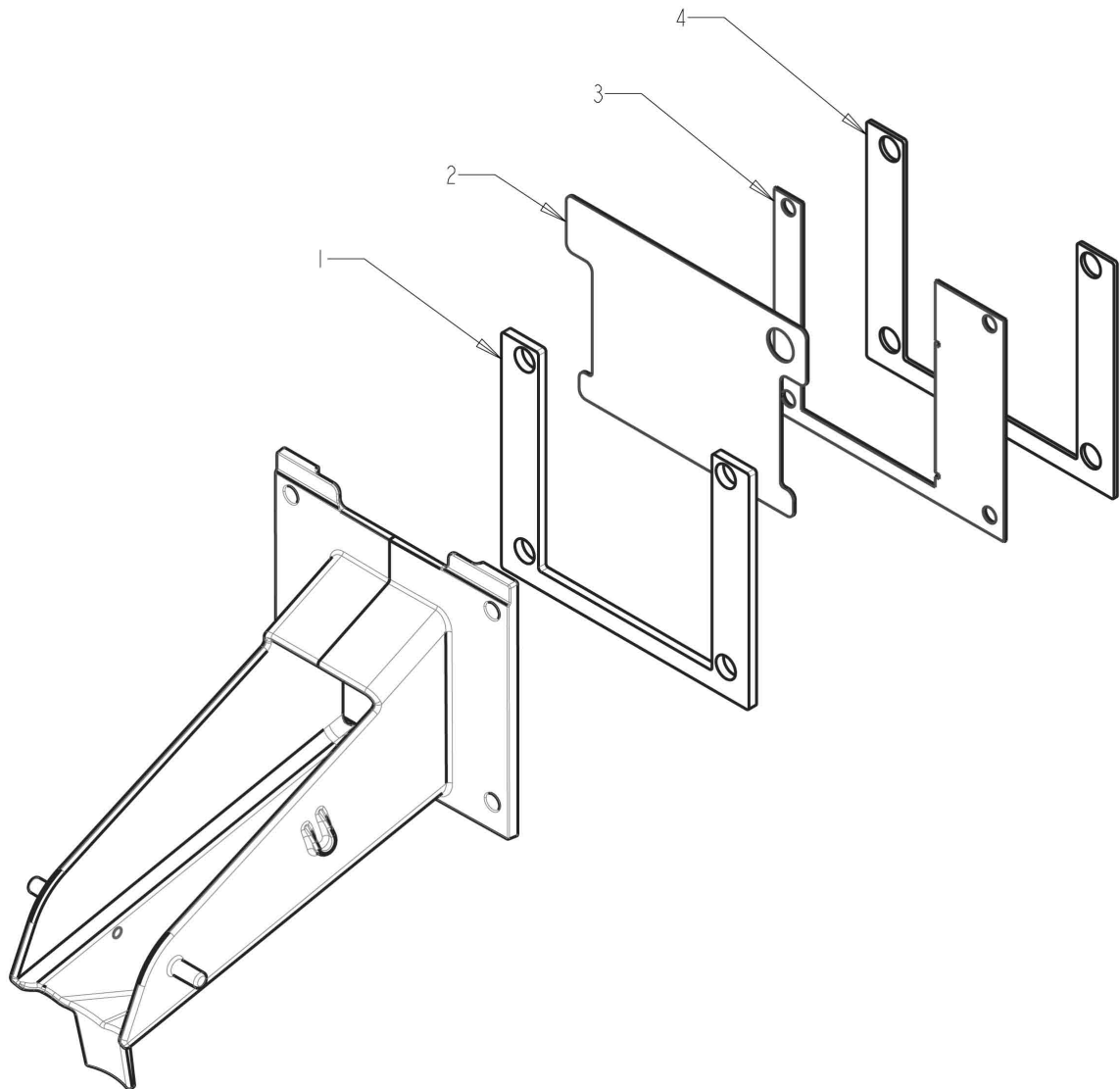


Figure 2. Kit Ice Chute Double Gasket

Item No.	Part No.	Name
1	620059717	Gasket Out Gate Outer (Red)
2	620059707	Gate Restrictor
3	620059705	*Deflector Ice Gate
4	620059718	Gasket Ice Gate Inner (Black)

NOTE: * Used on soft Ice models only.



CAUTION:

Tighten #10-32 Nuts to 3.0 IN* LBS of Torque. Red gasket will deform slightly under load, but should not squeeze out of seal path.

ELECTRICAL BOX ASSEMBLY - LED LIGHTNING

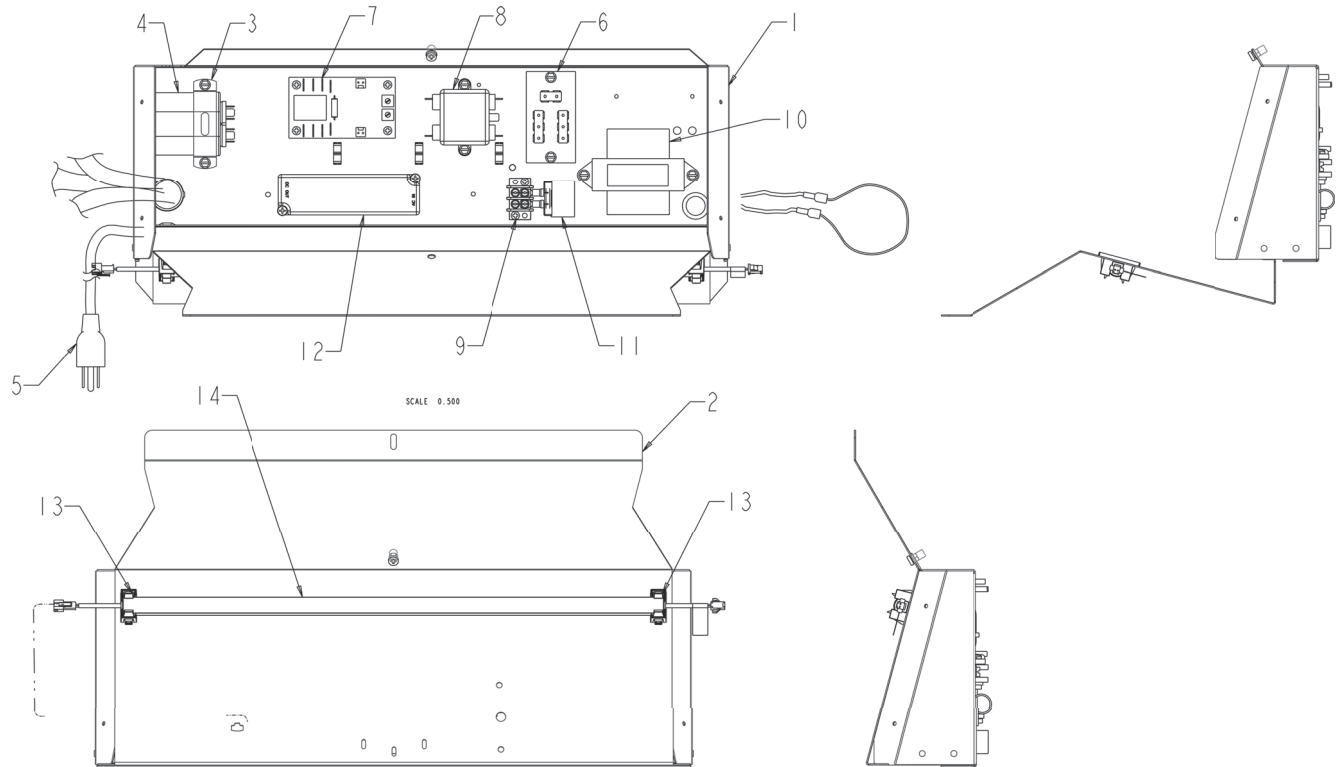


Figure 4. Electrical Box Assembly Exploded View

Item No.	Part No.	Name
1	620019001	Box Elec Ed150
2	620200105	Reflector Panel Ed150
3	30514	Clamp Capacitor 120 V
	620308102	Clamp Capacitor 220-240 V
4	30774	Capacitor 120V (Agitator Motor)
	620308101	Capacitor 220-240 V (Agitator Motor)
5	30995	Power Cord, 120V
	620302901	Power Cord, 220-240 V
6	31107	Terminal Block
7	620314803	Imer, Agitation, 120 V
	620314802	Timer, Agitation, 220 - 240 V
8	620307301	Filter, Power Line, 220 - 240 V
9	32244	Terminal Strip, 220 -240 V
10	32682	Transformer, 120 V
	32829R	Transformer, 220 - 240 V
11	620304601	Varistor, 220 - 240 V
12	620057649-018	Pwr-supply 24vdc 20W Led Assy
13	620064161	Clip Retaining Led Light Bar
14	620064030-002	Light Tube 18" 8w 24VDC

SOLENOID ASSEMBLY

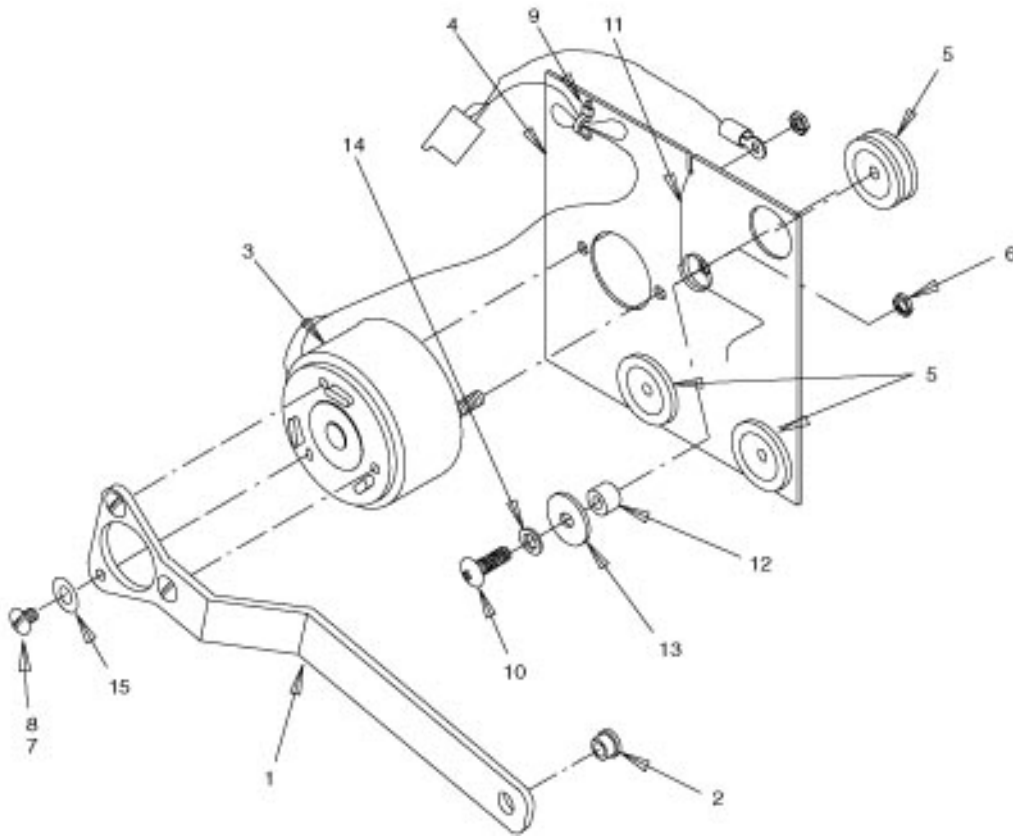


Figure 5. Solenoid Assembly

Item No.	Part No.	Name
1	28173	Arm, Gate Lift
2	50754	Bearing, Gate Arm
3	32957	Solenoid, 120 Volt
	33397	Solenoid, 220-240 Volt
4	28172	Plate, Solenoid Mounting
5	50752	Isolator
6	70015	Hex Nut, No. 10-32
7	51689	Loctite
8	70162	Screw, No. 8-32 By 1/4-In. Long
9	50705	Tie Cable
10	70165	Screw, No. 8-32 By 5/8-In. Long
11	71007	Spring, Solenoid Arm
12	51348	Spacer
13	70067	Washer, .218 I.D. By .875 O.D.
14	70057	Lock washer, No. 10
15	70052	Flat washer, No. 8

DRAIN

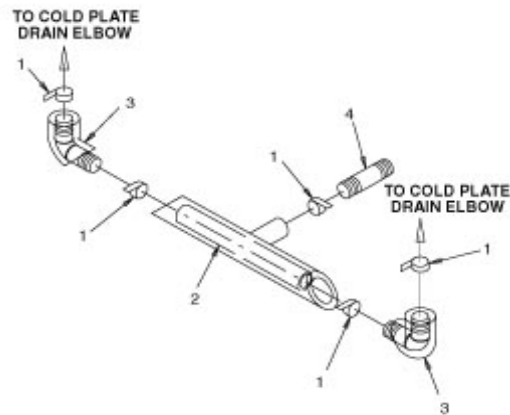


Figure 6. Cold Plate Drain For Z Style Units

Item No.	Part No.	Name
1	70750	Hose Clamp
2	53170	Drain Tube
3	51280	Elbow
4	53293	Coupler

CARBONATOR ASSEMBLY

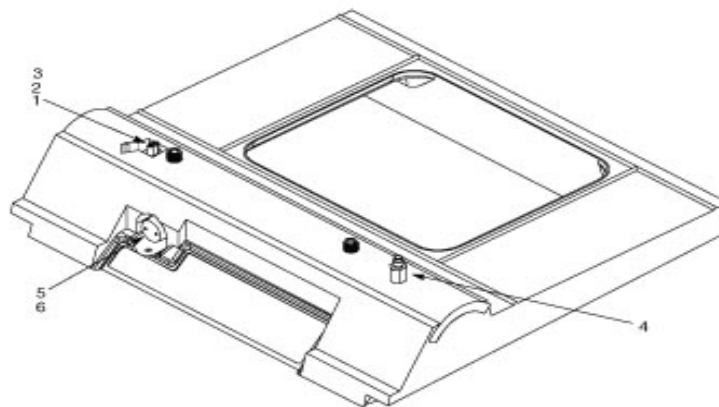


Figure 7. Carbonator Assembly

Item No.	Part No.	Name
1	560004687	Probe
2	560005109	Wire Harness (Not Shown)
3	31525007	O-Ring
4	65259001	Single Check Valve Ass'y
5	312947000	Stem Ass'y
6	317974000	Deflector

WATER MANIFOLD ASSEMBLY

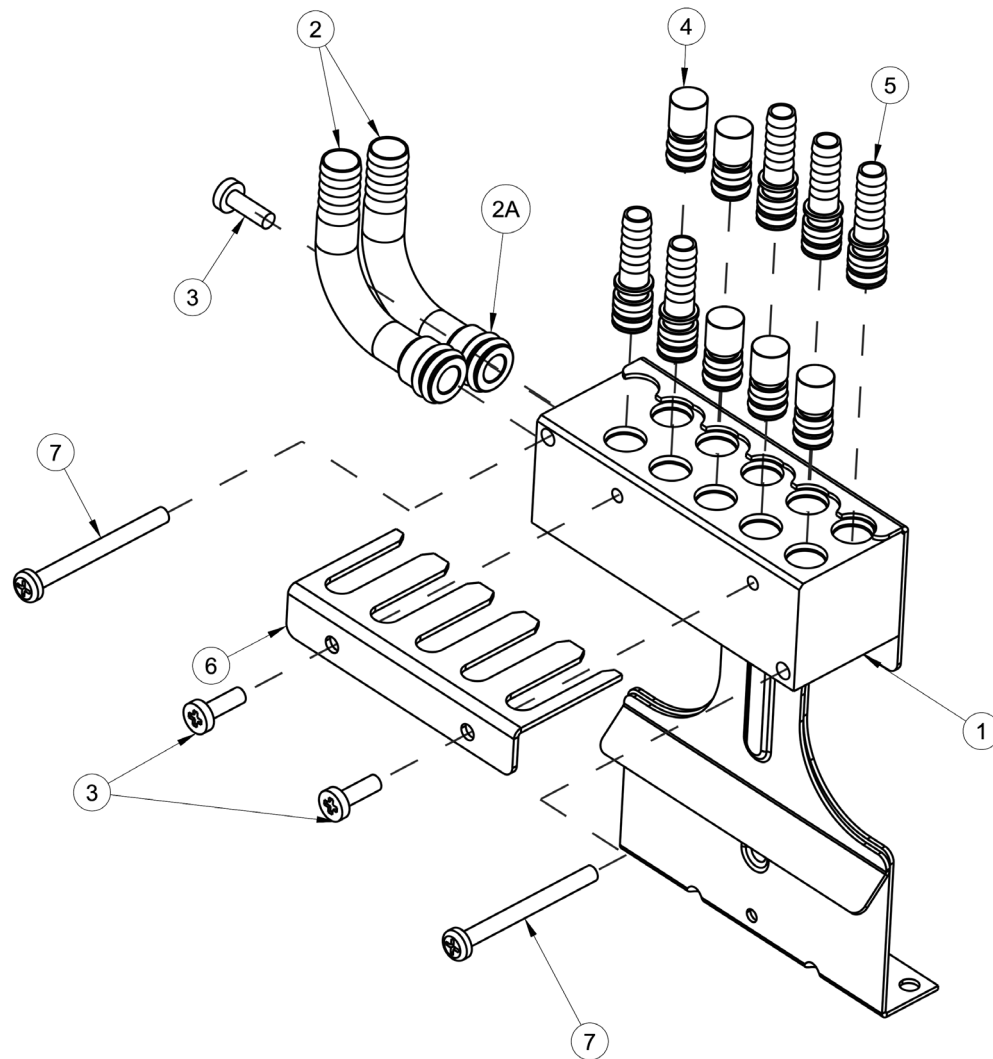


Figure 9. Water Manifold Assembly

Item No.	Part No.	Name
1	620407726	Manifold Flex
2	620709065	Fitg Elbow 1/2 X 3/8 BRB
2A	100057	O-ring
3	70204	Screw SM #8 X 1/2
4	620519005	Plug 3/8 w/O-ring
5	620709066	Fitg Straight 3/8 X 1/4 BRB
6	620046316	Retainer Clip
7	620706632	Screw TRPH #8-18 X 2 Waxed
*	620711913	Insulation Block, RH
*	620711914	Insulation Block, LH
*	620715408	Hook and Loop Fastener
* Not Shown		

Marmon Foodservice Technologies, Inc.
www.cornelius.com