



ECO / ICO MODELS

&

SPRITZER MODEL

TIM HORTON

PARTS LIST

Toll Free Phone, (US & Canada): (800) 427-6668

Toll Free Fax, (US & Canada): (800) 361-7745

<http://www.garland-group.com>



ECO / ICO MODELS
&
SPRITZER MODEL
TIM HORTON

Contents:

ECO/ICO MODELS

ECO/ICO MANUAL CONTROLSPage 4

ECO/ICO ELECTRONIC CONTROLSPage 6

ECO/ICO OPERATIONAL COMPONENTSPage 8

ECO/ICO DOOR COMPONENTSPage 10

ECO/ICO OVEN COMPONENTSPage 12

ECO/ICO MAIN EXTERIORPage 14

SPRITZER MODEL TIM HORTON

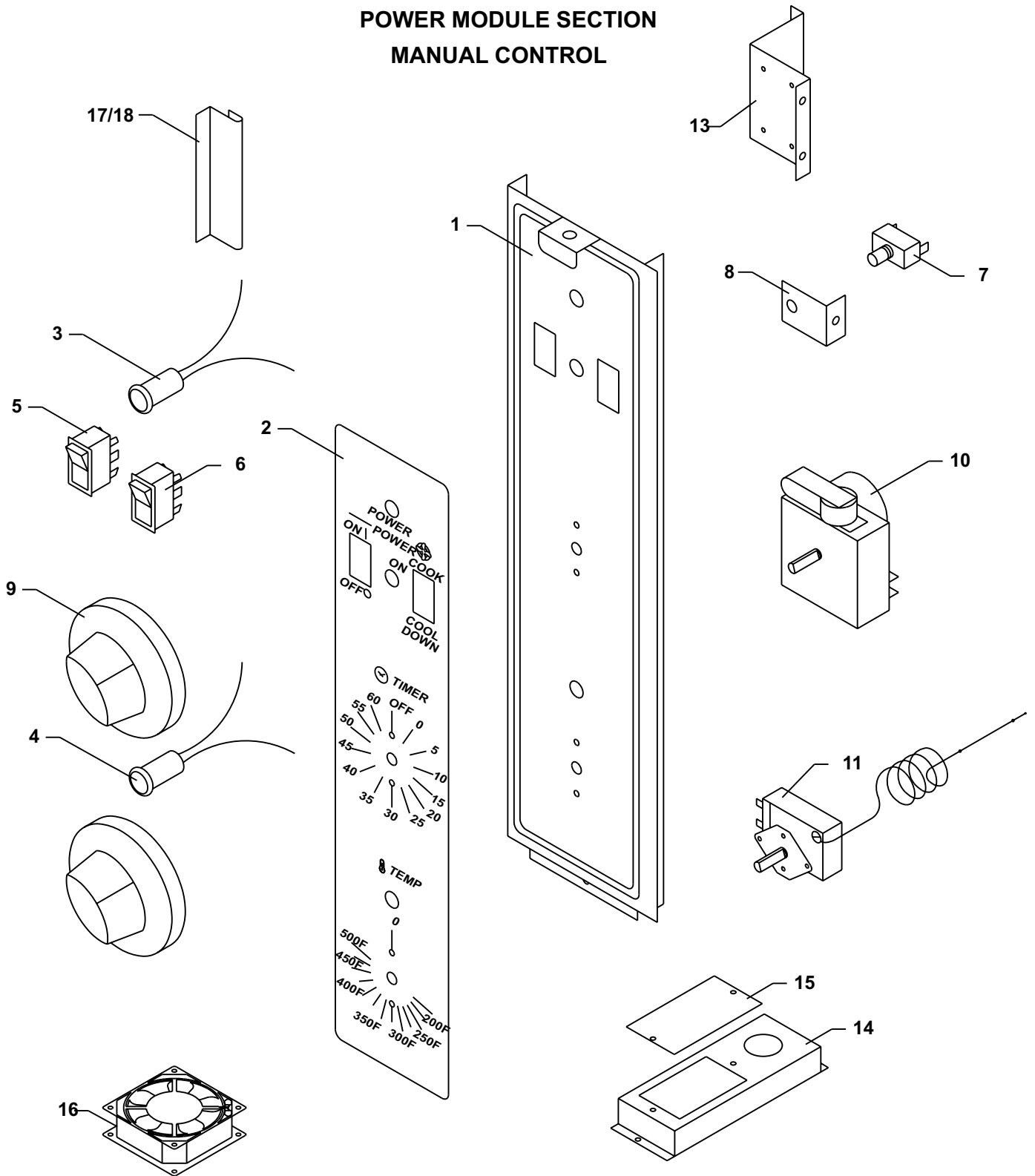
ICO SPRITZER CONTROL PANEL & MOTORPage 18

ICO-G-10-M GAS OVEN COMPONENTSPage 20

ICO-E-10-M ELECTRIC OVEN COMPONENTSPage 22

ICO SPRITZER BACK PARTSPage 24

**POWER MODULE SECTION
MANUAL CONTROL**



Manual Panel.dwg

GARLAND PARTS IDENTIFICATION

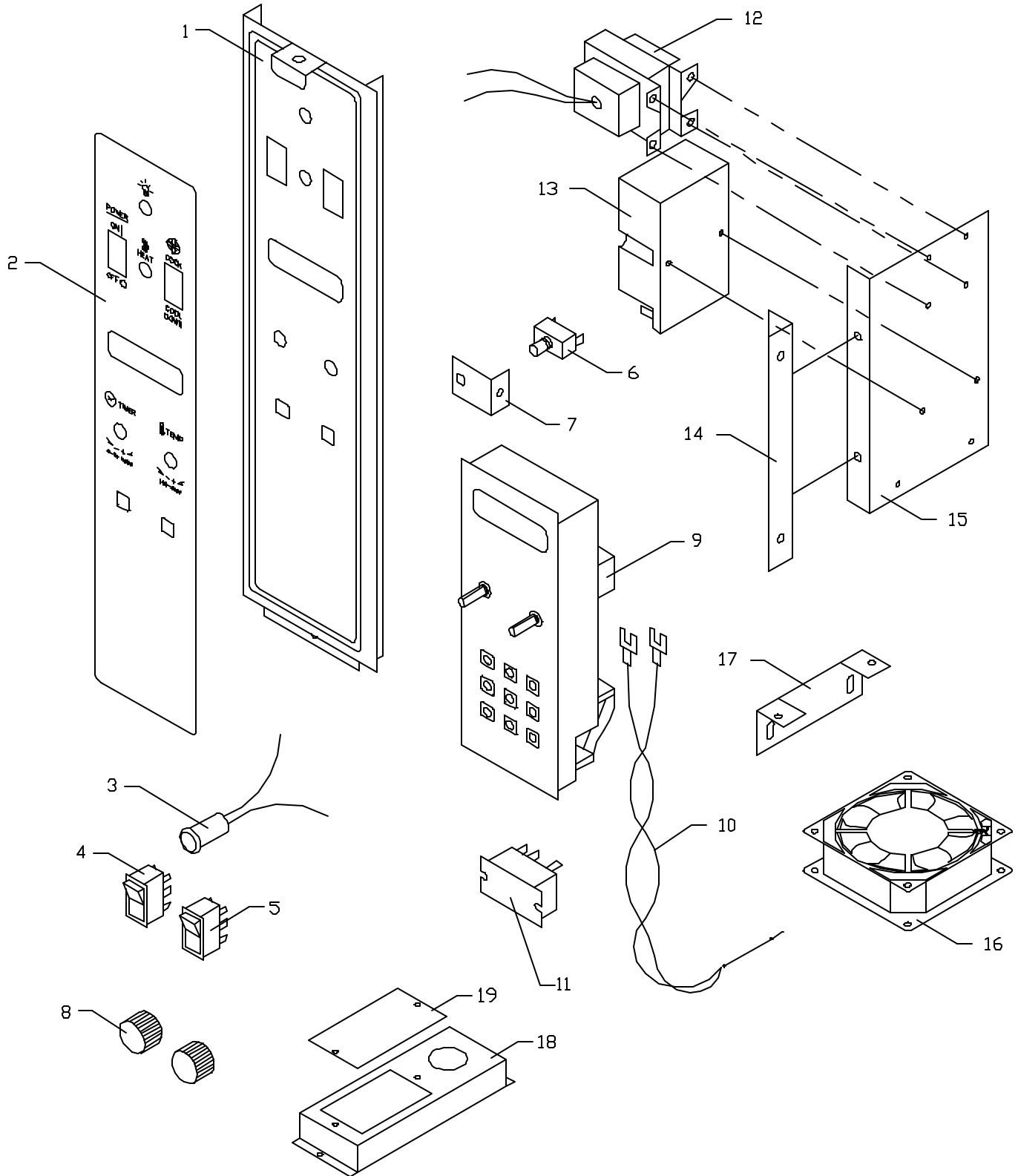
ECO/ ICO CONTROL PANEL MANUAL CONTROLS

ITEM	PART #	DESCRIPTION	QTY	DATE		RANGE (Table Below)
				FROM	UP TO	
1	1657901	Control Panel, Manual	1	4-Jun-90		A,B,C,E
	1719801	Control Panel	1	17-Nov-92		D
2	1657904	Overlay 2-Speed	1	4-Jun-90		A,B,C,D
	1657902	GCI Overlay Man 1 Speed	1	4-Jun-90		F
3	1006489	Green Pilot Light 120V	1			A,B,C,E
	1006493	Green Pilot Light 240V Export USE G01296-3	1			D
	G01296-3	Pilot Green	1			
4	1006496	Pilot Light Amber 115V	1	21-Dec-87	6-Nov-95	B
	1270000	Pilot Light Amber 28V	1	6-Nov-95		B,E
	1006498	Amber Pilot Light-Use G01296-2	1			D
	G01296-2	Pilot Amber	1			
5	1019207	Rocker Power Switch 3 Pos 2 Speed On/Off/On	1	13-Dec-83		A,B,C,D
	1019203	Rocker Power Switch 2 Pos 1 Speed On/Off	1			E
6	1019209	Rocker Power Switch 2 Pos On/Off	1	31-Oct-83		A,B,C,D,E
7	G03053-1	Momentary Switch Push Button	1			A,B,C,D,E
8	1749201	Panel Restraining Bracket	1	23-Feb-93		ALL
9	G02716-1	Dial - (Universal) Small Shaft	2			B,C,D,E
	1258200	Dial	1			A,B,C,D,E
	1314121	Thermostat Dial Insert Insert Blank Use G02725-21	2			B,C,D,E
	1314117	Dial Insert 150F-550F / 65C-290C USE G02725-17	1			D,E
10	1285700	Mallory Timer 1 hr 115V 50/60H	1	4-Oct-84		A,E
	1285701	Mallory Timer 1 hr 240V 50/60H	1	4-Oct-84		B,C,D
	1285600	Mallory 12Hr. Timer 115V 50/60H	1			
	1285601	Mallory 12 Hr Timer 230V	1			
11	1032400	Thermostat (Use G02902-01)	1			A,B,C,D,E
12	1671100	Polar Fan 115V	1	5-Jun-94		A
	1671101	Cooling Fan 208 / 240 V.	1	5-Jun-94		B,C,D
13*	1774402	Cooling Fan Bracket				ALL
14	1280100	Terminal Box	1	15-Dec-92		B,C,D
15	1280101	Terminal Box Cover		15-Dec-92		B,C,D
16	1671100	Polar Fan 115V 120mm	1			
	1671101	Boxer Fan 230v 120mm				
17	1300204	Control Panel Side Lt	1	7-Mar-94		E
18	1300203	Control Panel Side Rt.	1	7-Mar-94		E
19*	1266738	Wire Diagram	1			A
	1266739	Wire Diagram				D
20*	1779801	Transformer Mounting Bracket	1	9-Sep-94		B,C,D
21*	1030802	Transformer 208V 0.15 KVA (Hi Voltage Gas Units)	1			B
	1030801	Transformer 240V 0.15 KVA (Hi Voltage Gas Units)	1			C,D
A	115V,60HZ,2 SPEED					
B	208V,60 HZ,2 SPEED					
C	240V/60 HZ,2 SPEED					
D	240V,50HZ,2 SPEED					
E	115V 1-SPEED					

* NOT ILLUSTRATED

RECOMMENDED STOCK PARTS

POWER MODULE SECTION ELECTRONIC CONTROL



GARLAND PARTS IDENTIFICATION
ECO/ ICO CONTROL PANEL
ELECTRONIC CONTROLS

ITEM	PART #	DESCRIPTION	QTY	DATE		RANGE (Table Below)
				FROM	UP TO	
1	1719897	Controlpanel (Electronic) S/W	1			A,B,C,D,J
	1719899	Controlpanel (Electronic) S/W	1	17-Nov-92		I,K
	1719898	Control Panel Cook/Hold S/W	1	17-Nov-92		E,F,G,H
2	1657712	Overlay 2 Buttom 2 Speed	1			A, B, C, D
	1657714	Gci Overlay 2 But. 1 Speed	1			J
	1657702	Gci El.Overlay 2B 1 Speed	1	4-Jun-90		I
	1657710	Overlay Cook "N" Hold	1	4-Jun-90		E,F,G,H
3	1270000	Pilot Light Amber 28V	1			A,B,C,D,E,F,G,H,I,J,K
4	1019207	Rocker Power Switch 3 Pos 2 Speed On/Off/On	1			A,B,C,D
	1019203	Rocker Power Switch 2 Pos 1 Speed On/Off	1			E,F,G,H,I,J,K
5	1019209	Rocker Power Switch 2 Pos On/Off	1			A,B,C,D,E,F,G,H,I,J,K
6	1181000	Momentary Push Switch USE G03053-1	1			B,C,D,E,F,G,H,I,J,K
7	1749201	Panel Restraining Bracket	1	23-Feb-93		All Units
8	1720501	Time/Temp Knob	2			A, B, C, D,J
	9007200	Knob	2			E,F,G,H,I,K
9	1517706	Gas/Electrical MCO Control NLA	1			A, B, C, D,J
		Replaced by kits, part # 4518959 & 4518961				
	4518959	Controller Kit 208/240V Electric - (Bulletin Pag: 26)				
	4518961	Controller Kit 215V Gas - (Bulletin Pag: 26)				
	1517702	Controller 2 Key	1			I,K
	1544800	Controller Cook "N" Hold	1			E,F,G,H
10	9006800	Sensor Probe 5" W/36"Teflon	1			A,B,C,D,E,F,G,H,I,J,K
11	1771601	Relay 120V 2 Pole	1			A,H
	1771602	Relay 240V 2 Pole	1			B,C,D,J
12	1269800	Transformer - 24V 120V (USE G03559-1)	1			A,E,H,K
	1030802	Transformer 208V 0.15 KVA (Hi Voltage Gas Units)	1			B,F,I
	1030801	Transformer 240V 0.15 KVA (Hi Voltage Gas Units)	1			C, D,G,J
13	1516301	Ignition Module Nat	1			Natural Gas
	1516300	Spark Module (Use 2152700)	1			Propane Gas
14	1774702	Mounting Bracket/Module	1	1-Sep-94		Natural/Propane Gas
15	1774701	Mounting Plate/Module	1	1-Aug-94		Natural/Propane Gas
16	1671100	Polar Fan 115V	1			A,E
	1671101	Cooling Fan 208 / 240 V.	1	5-Jun-94		B,C,D,F,G,H,J
17	1774402	Cooling Fan Bracket	1	5-Jun-94		All Units
18	1280100	Terminal Box	1	15-Dec-92		B,C,D,F,G,H,I,J
19	1280101	Terminal Box Cover	1	15-Dec-92		B,C,D,F,G,H,I,J
20*	1519501	Wire Harness ECO/ICO Gas	1			A,B,C,D,J
21*	1518700	Female Housing Plug ECO	1			A,B,C,D,E,F,G,H,I,J
22*	1193900	Terminal Block - 3 Pole-Hi Voltage	1	24-Oct-94		B,C,D,F,G,H,J
23*	1779801	Transformer Mounting Bracket	1	24-Oct-94		B,C,D,F,G,H,J
24*	1266754	Wire Diagram	1			B, C
25*	1030023	Terminal	2	7-Feb-95		B,C,D,E,F,G,H,J
26*	1516600	Key Lock W/Backing Nut - Tiered Timer	1			E,F,G,H
27*	1266755	Wire Diagram	1			D
	1544704	Wire Diagram	1			E
	1544702	Wire Diagram	1			F,G,H
	1266745	Wire Diagram	1			I
	1266756	Wire Diagram	1			J
	1266757	Wire Diagram	1			J

* NOT ILLUSTRATED

RECOMMENDED STOCK PARTS

- A 2 KEY 115 VOLT 60HZ 2 SPEED
- B 2 KEY 208 VOLT 60HZ 2 SPEED
- C 2 KEY 240 VOLT 60 HZ 2 SPEED
- D 2 KEY 240 VOLT 50 HZ 2 SPEED
- E COOK/HOLD, 115V, 60HZ
- F COOK/HOLD,208V, 60 HZ
- G COOK/HOLD, 240V, 60 HZ
- H 2 KEY 115 VOLT 60 HZ 1 SPEED
- I 2 KEY 208 VOLT 60 HZ 1 SPEED
- J 2 KEY 240 VOLT 60 HZ 1 SPEED
- K 2 KEY 115V,60HZ 1-SPEED MOTOR

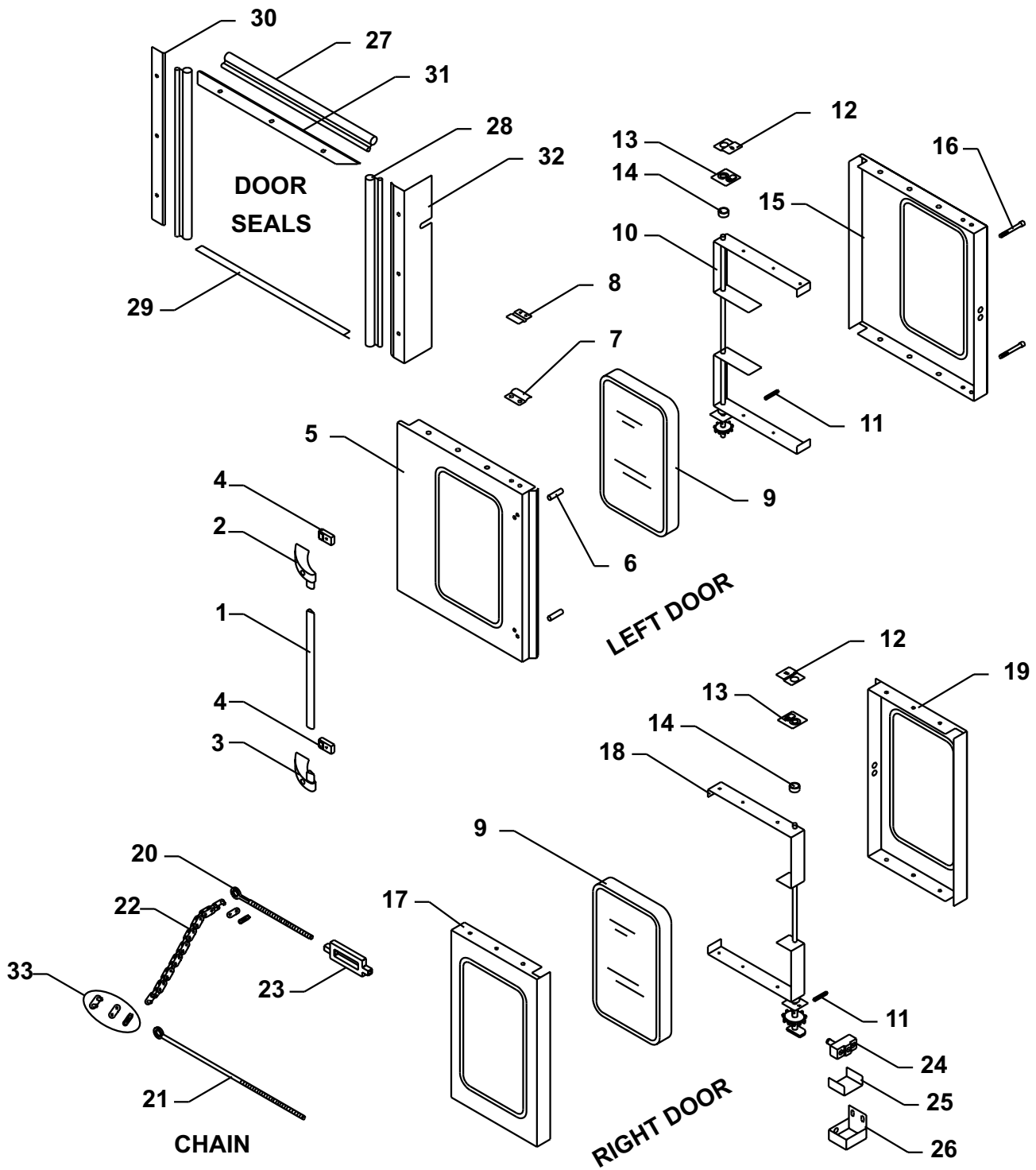
**GARLAND PARTS IDENTIFICATION
ECO/ ICO OPERATIONAL COMPONENTS**

ITEM	PART #	DESCRIPTION	ECO	ICO	DATE	
					FROM	UP TO
1	1532600	Burner Pan (Use 1467200)	1	1	11-Jun-91	28-Jul-92
2	1265589	Burner/Air Shutter Assy	5	5		1-Jun-90
	1467400	Burner	5	5	1-Jun-90	
3	1467100	Cross Over Bracket(Use 1467600)	4	4		
4	1265504	Crossover Angle Gcr#G03065-1-9	2	2		
5	1265548	Orifice Fitting #48	5	5		
	1265556	Orifice Fitting-Lp	5	5		
6	1302197	Tail Pipe Assembly "Std"	1	1		
	1302196	Tail Pipe Assembly "Deep"		1		
7	1589500	Pilot Bracket	1	1		
8	1028297	Pilot Assembly Natural (.021)	1	1		
	1028296	Pilot Assembly Propane (.0115)	1	1	29-Mar-93	
9	1019418	Thermocouple 18" Long (Screw-in Type)	1	1		
10>	CK1758901	Pilot Assy-Use 1758901 Included Pilot & Pilot Bracket (item 28)	1	1	11-Jun-93	
	CK1758902	Pilot Assy (Lp) Elec Ign Included Pilot & Pilot Bracket (item 28)	1	1	11-Jun-93	
	1466100	Flame Sensor	1	1	3-Aug-93	
11	1666300	Rajh Adapter Eco	1	1	28-Mar-94	
	1030023	Terminal	1	1	28-Mar-94	7-Feb-95
12	1269703	Flame Sensor Cable	1	1		
13	1028709	1/4" Alum. Tubing 8-1/2" Long	1	1		
14	1026730	Elbow Street 1/8" 90 Degree	1	1	18-Dec-91	
15	1027001	Auto Safety Valve 1/2 Npt	1	1		
16	1027300	Gas Solenoid-Use G02965-1	1	1		
17	1754901	Dual Valve Nat.	1	1	3-Aug-93	
	1754902	Dual Valve Lp	1	1	3-Aug-93	
	CK4540	Eco/Ico Mani Dual Valve Nat	1	1		
	CK4541	Eco/Ico Mani Dual Valve Lp	1	1		
18	1265590	Manifold Assy W/Bracket	1	1		
	1265585	Manifold Assy.	1	1		
19	1265900	Manual Shut Off Valve 3/4"NPT	1	1	3-Aug-93	
20	1004849	Bell Reducer 3/4 TO 1/2	1			
21	1004646	Black Nipple 1/2 X 4 Npt	1			
22	1026733	1/2 NPT Street Elbow 90 Deg.	1	1	3-Aug-93	
23	1026941	90 Deg. Union Elbow 1/2 X 1/2	1	1		
24	1026903	Union 1/2" NPT	1	1	3-Aug-93	
25	1038403	Reducer Bushing 3/4 X 1/2	2	2	3-Aug-93	
26	1004640	Close Nipple 1/2"NPT x 1" Lg	3	3	3-Aug-93	
	1004687	Short Nipple		1		
27	1004816	Pipe Coupling 1/2 X 1-1/2	1	1	18-Dec-91	
28	1759101	Pilot Bracket	1	1	11-Jun-93	
31	1019010	Pressure Regulator Natural	1	1	18-Dec-91	
	1019011	Regulator Prop. (Use 2127500)	1	1	18-Dec-91	
32*	1004662	Black Nipple 3/4" x 2"	1	1	10-Jun-94	
33*	1004821	3/4 Black Pipe Coupling x 1-5/8"	1	1	10-Jun-94	
34*	1516397	Electric Spark Control Ass'y Natural		1	19-Jul-93	
35*	1028718	1/4 O.D. Aluminum Tubing	1	1	3-Aug-93	
36*	1516488	Burner Pakage Ass'y BSI G96 Natural		1	3-Aug-93	
		Included Items 5, 4, 3, 18, 1, 2				
37*	1516489	Burner Pakage Ass'y BSI G96 Propane		1	3-Aug-93	
		Included Items 5, 4, 3, 18, 1, 2				
BURNER PACKAGE ASSEMBLIES						
	1265599	Burner Assy, Nat-Use Ck1265599				
	1265598	Burner Assy,Lp-Use Ck1265598				
	CK4538	Burner Kit Nat Ico				
	CK4539	Burner Package Assy Lp				

* NOT ILLUSTRATED

> DIGITAL PHOTO AT THE END

RECOMMENDED STOCK PARTS



REV. 0
Door Components.dwg

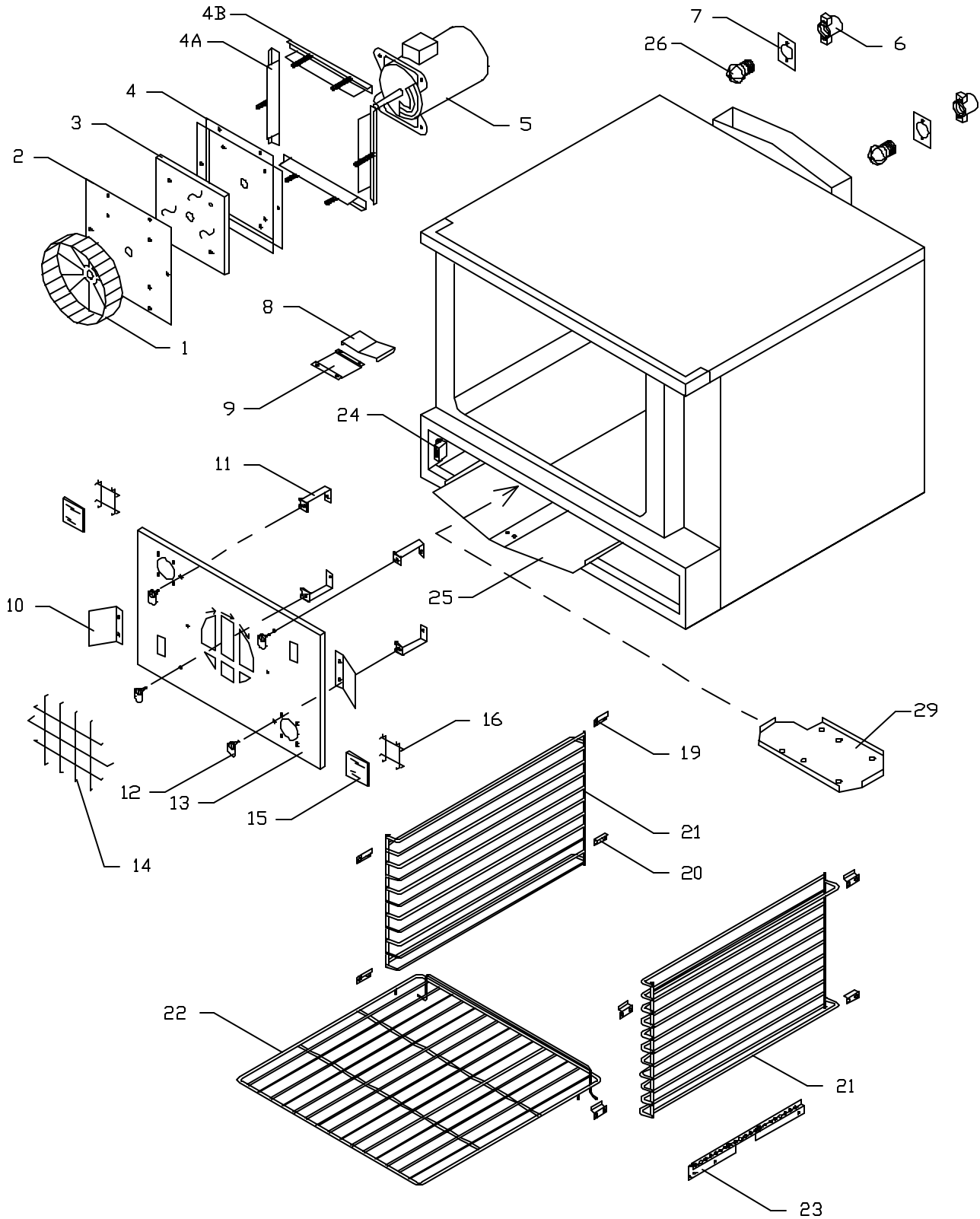
**GARLAND PARTS IDENTIFICATION
ECO/ ICO RIGHT & LEFT DOOR COMPONENTS**

ITEM	PART #	DESCRIPTION	ECO	ICO	DATE	
					FROM	UP TO
1	1016700	Oven Door Handle Chrome	1	1		
2*	G3814-60L	Oven Door Handle End	1	1		
3*	G3814-60R	Oven Door Handle End	1	1		
4	1016703	Door Handle Spacer	2	2		24-Dec-87
5	1011605	Left Door Panel W/Window	1	1		
	1011606	Left Door Panel Solid				
6	1011707	Handle Spacer	2	2		
7	1021904	Door Catch (Door)	1	1	14-Feb-85	
8	1021902	Door Catch (Frame)	1	1	1-Jun-90	
9	1010999	Oven Door Window (3/16" Glass)	1	1	27-Jun-00	
10	1011895	Left Door Frame Weld Assy	1	1		
11*	1019701	Roller Pin	1	1		
12	1302800	Upper Door Bearing Retainer	2	2		
13	1010589	Hinge Bracket Ass'y W/Bearing	2	2		
14	1011201	Steel Tubing Chrome Spacer	2	2		
15	1011799	Left Door Liner W/Window Assy	1	1		
	1011798	Left Door Liner Solid Assy				
16*	8004004	Allen Head Screw	2	2		
17	1011402	Right Door Panel Solid (Dependent Door)	1	1		
	1011403	Right Door Panel W/Window (Dependent Door)				
18	1011897	Door Frame W/A With Cam-Solid (Dependent Door)	1	1		
	1011896	Door Frame Assy-Window (Dependent Door)				
19	1011502	Rt Door Liner Solid (Dependent Door)	1	1		
	1011599	Rt Door Liner W/Window Assy (Dependent Door)				
20	1014201	Connecting Left Door Rod - Short (Dependent Door Only)	2	2		
21	1014200	Connecting Right Door Rod - Long (Dependent Door Only)	2	2		
22	1021100	Roller Chain #40 (Dependent Door Only)	2	2		
23	1015000	Turnbuckle 1/4-20 with 4" Take Up (Dependent Door Only)	2	2		
24>	1019600	Door Micro Switch	1	1		3-Mar-99
	1855601	Limit Switch Upper		2	3-Mar-99	11-Jun-99
	1855603	High Temp Micro Switch			11-Jun-99	
25	1533400	Micro Switch Cover	1	1		
26>	1533800	Micro Switch Bracket				1-Mar-99
	1905302	Micro Switch Bracket Full Size	1	1	1-Mar-99	11-Jun-99
	1954502	Micro Switch Bracket			11-Jun-99	
27	1581600	Top Door Seal-Use G03269R(3Ft)	1	1		
28	1581601	Pyrosil Fibreglass Side Oven Door Seal (Use G03269R)	2	2		
29	1534500	Bottom Door Seal	1	1		
30	1304201	Side Door Bracket S/S	1	2	17-Nov-92	
31	1304202	Top & Bottom Door Bracket S/S	1	1		
32	1719001	R/H Side Seal	1	1	17-Nov-92	
33	1021299	Connecting Links #40 Components	4	4		
35	CK1138	Door Chain Assy Comp	1	1		
		Included items: 20, 21, 22, 23, 33				
BURNER PACKAGE ASSEMBLIES						
	1029279	L/H Door Assembly W/Window	1	1		
	1029277	L/H Door Assembly Solid				
	1029278	R/H Door Assembly Complete/Solid	1	1		
	1029276	R/H Door Assembly W/Window				

* NOT ILLUSTRATED

> DIGITAL PHOTO AT THE END

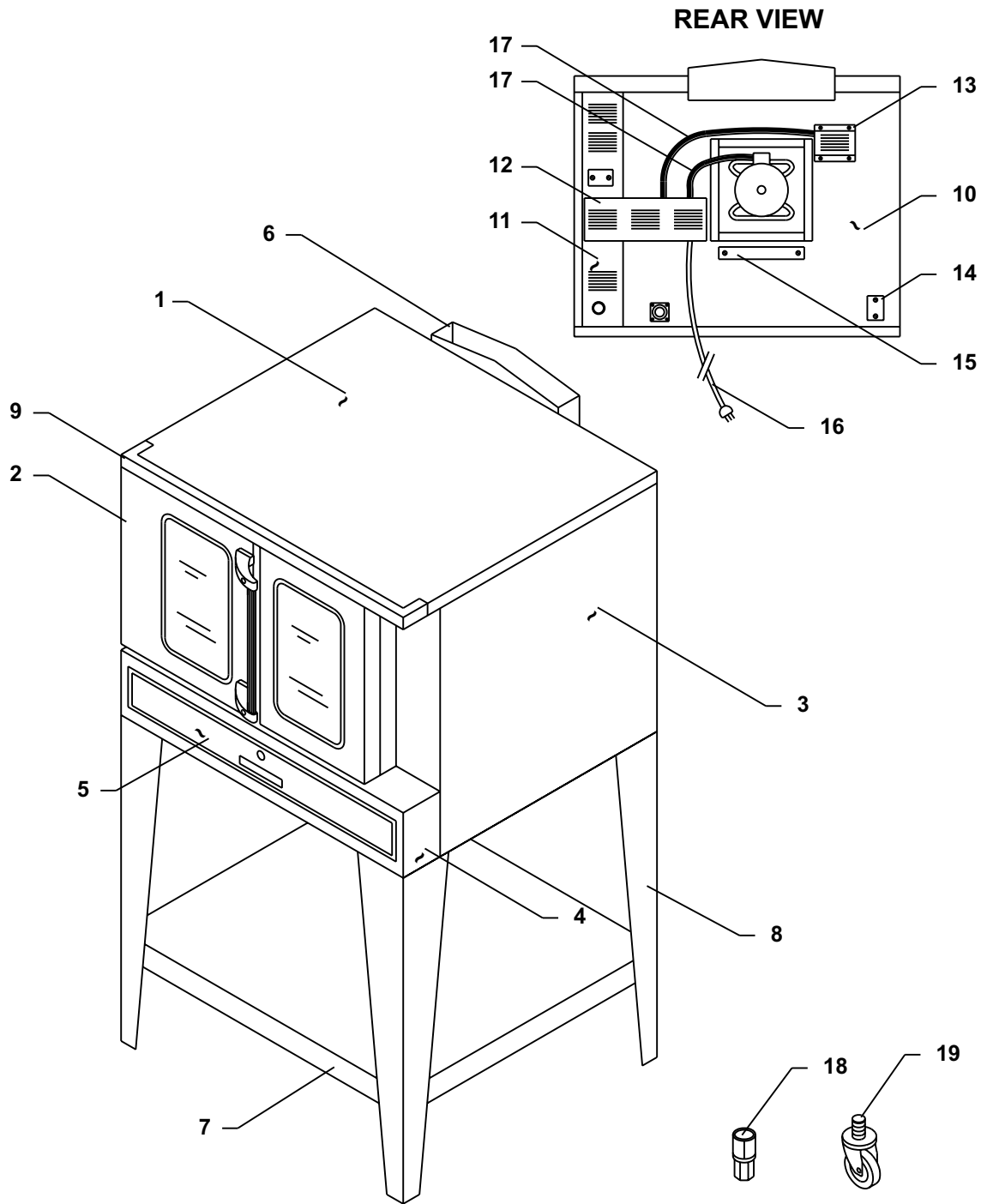
RECOMMENDED STOCK PARTS



GARLAND PARTS IDENTIFICATION
ECO/ ICO OVEN COMPONENTS

ITEM	PART #	DESCRIPTION	ECO	ICO	DATE	
					FROM	UP TO
1	1025302	Blower Wheel Ass'y. Nickle Plated USE G02952-01P	1	1		
2	1011906	Motor Mount Plate - Cc	1	1		
3	1012100	Motor Mount Marinite XI	1	1		
4	1012000	Motor Mount Gg	1	1		21-Feb-91
4A	1012498	Motor Mount Brace Ass'y Side	2	2		
4B	1012499	Motor Mount Brace Ass'y Top & Bot	2	2		
5	1686703	Motor 1/2 HP, 115/230V, 1 Speed	1	1	12-Apr-91	
	1686701	Motor 1/2 HP, 115V, 2 Speed	1	1	12-Apr-91	6-Apr-00
	1686711	Motor 3/4 HP, 115V, 2 Speed			6-Apr-00	
	1686702	Motor 1/2 HP, 230V, 2 Speed			12-Apr-91	
	1003099	Motor Assy-Use Ck1003099				
1003095	Motor Assy-Use Ck1003095					
6	1025800	Lamp Socket - Porcelain	2	2		
7	1025900	Light Socket Gasket	2	2		
8	1300900	Vent Slide Hsg	1	1		
9	1300901	Vent Slide	1	1		
10	1541000	Air Vane	2	2		
11	1533700	Air Baffle Spacer	4	4		8-Feb-02
	1533701	Air Baffle Spacer SS			8-Feb-02	
12	1031901	Thumb Screw	4	4		
	8005000	1/4 Turn Pin	4	2		
	8005100	1/4 Turn Fastener Receptacle	4	4		
13	1540999	Air Baffle	1	1	15-Sep-97	
14	1014500	Blower Inlet Cover	1	1		
15	9004800	Light Glass Cover	1	2		
16	1534400	Glass Retainer	1	2		
19	1317600	Rack Guide Clip	4	6		
20	1317601	Rack Guide Hold Down Bracket	4	2		
21	1315700	Oven Rack Guide Assembly Std	2			
	1315701	Rack Guide Assembly Deep		2		
22	1012602	Std Oven Rack Use G02941-01-8P	5			
	1012700	Oven Rack 28X28		5		
23	1015799	Capillary Tube Guard	1	1	11-Apr-88	17-Dec-98
	1015799-P	Capillary Tube Guard			17-Dec-98	
24	1020101	Magnetic Catch	2	2		
25	1013400	Fire Plate	1			
	1013401	Fire Plate Deep		1		
	1297199	Fire Plate Front Support	2	2		
	1265700	Fire Plate Support Angle	2	2		
26	1026050	Light Bulb 50W-Use 1026051	2	2		12-Apr-95
	1026051	Oven Bulb-Teflon	2	2	12-Apr-95	
27*	1047301	Baffle Spacer Clips Bottom	2	2		
28*	1047300	Baffle Spacer Clips - Side	2	2		
29	1301600	Base Heat Shield	1	1		
		Between Item 25 and the top combustion chamber				

* NOT ILLUSTRATED
RECOMMENDED STOCK PARTS



REV. 0
Main Exterior.dwg

GARLAND PARTS IDENTIFICATION

ECO / ICO MAIN EXTERIOR

ITEM	PART #	DESCRIPTION	ECO	ICO	DATE	
					FROM	UP TO
1	1300603	Main Top	1			
	1300602	Main Top	1			
	1300601	Top Panel Painted		1		
	1300600	S/S Top				
2	1300504	Left & Right Body Side Black	1			
	1300505	Left & Right Body Side S/S	1			
	1300502	L/H Panel Painted		1		17-Nov-92
	1300503	Side Panel-S/S		1		17-Nov-92
3	1300504	Left & Right Body Side Black	1			
	1300505	Left & Right Body Side S/S	1			
	1300506	R/H Side	1			
	1300507	S/S R/H Side Panel	1			
	1300503	Side Panel-S/S		1		17-Nov-92
	1300508	Right Body Side Ico Painted (Deep)		1	17-Nov-92	
	1300509	Body Side R/H S/S (Deep)		1	17-Nov-92	
4	1301899	Comb.Chamber-Use G02898-01-9				17-Nov-92
	G02898-01-9	Combustion Chamber Front Assy	1	1	17-Nov-92	
	1721099	Combustion Chamber Front Assy.			17-Nov-92	
5	1301803	Combustion Chamber Door	1	1		
6	1014099	Flue Collector Box Ass'y	1	1	8-Jul-91	
	DOUBLE STACK FLUE					
	1015299	Top				
	1015205	Rear Flue Box-Bottom Deck				
	1015206	Flue Box Top-Bottom Deck				
	1015287	Riser				
7*	1684203	Lower Rack Support GG ECO	1			
	1684204	Lower Rack Support SS ECO	1			
	1684205	Lower Rack Supt. GG Ico		1		
	1684206	Lower Rack Support-S/S ICO		1		
	1756203	Lower Rack Supt GG Eco	1			
	1756204	Lower Rack	1			
	1756205	Lower Rack Support-GG ICO		1		
	1756206	Lower Rack Support-S/S		1		
8*	1684789	Leg Assembly 28" Black	4	4		
	1684788	S/S Leg Assy.	4	4		
	1300793	Leg Assembly 8" Black	4	4		
	1300790	Leg Assembly 8" Ss	4	4		
	1753299	28" Leg Std C/O	4	4		
	1753298	Leg Assy S/S	4	4		
	1753399	8" Oven Legs	4	4		
	1753398	Leg Assy. Double Deck	4	4		
9	1301100	Top Front Veneer	1	1		
	1302600	Side Top Veneer	2			
	1302601	Side Top Veneer		1		
* NOT ILLUSTRATED						
RECOMMENDED STOCK PARTS						

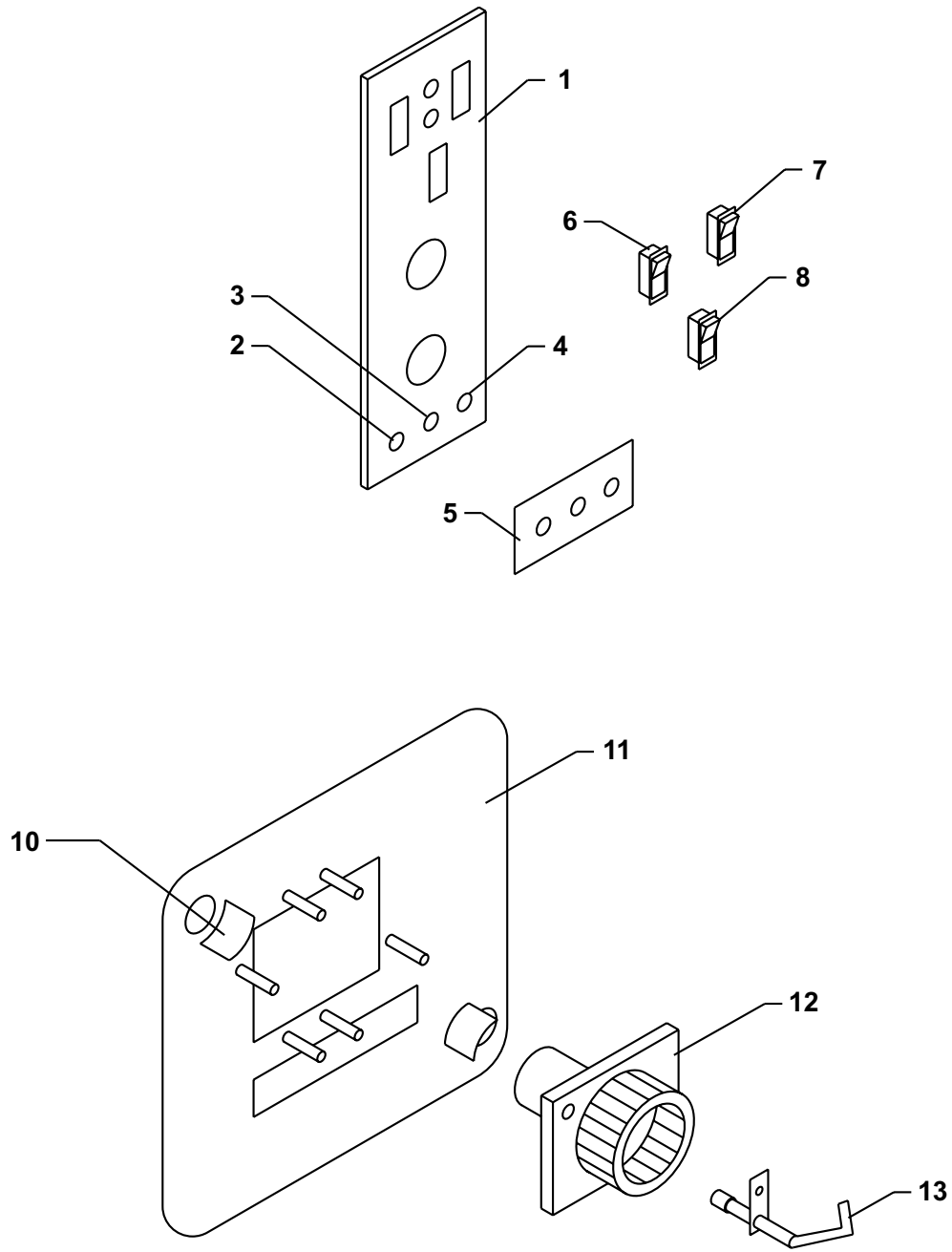
GARLAND PARTS IDENTIFICATION

ECO / ICO

MAIN EXTERIOR

ITEM	PART #	DESCRIPTION	MODELS		DATE	
			QTY		FROM	UP TO
			ECO	ICO		
10	1014710	Main Back-Co Gg	1	1	27-Feb-86	
11	1015508	Rear Control Panel Section	1	1	27-Feb-86	
12	1014813	Juntion Box Bottom Deep	1	1		23-Feb-88
13	1014809	Light Box Cover	1	1		
14	1046500	Rear Control Panel Patch GG	3	2	27-Feb-86	
15	1032503	Element Hole Patch GG	1	1		
16	1029501	8' Long Power Supply Cord	1	1		23-Feb-88
17	1029430	Flexible Conduit 3/8" X 30"	2	2	27-Jun-00	16-Mar-98
	1028501	Bx Connector-Straight 3/8	2	2		
	1028500	Connector 3/8" 90 DEG. Romex	1	1		4-Mar-93
18*	1236100	1-1/2" Square Foot Insert	4	4		
19*	1027500	Caster - Single Deck Only	2	2		
	1027501	Caster W/Brake - Single Deck Only	2	2		
	1775102	Caster Insert - Single Deck Only				
	1302099	Caster Pad Weld Assy				
	1755999	Leg Base				
	1755998	Double Deck Caster Pad Ss W/A				
20*	9004500	NamePlate		1	3-Apr-87	1-Feb-99
	3077100	Nameplate - Garland - 7-5/8		1	1-Oct-01	
	1959601	NamePlate Clip		2		8-Oct-01
21*	1716801	Term Tab .250 22-18Ga F Red		4	6-Apr-94	
22*	1719299	Front Frame W/A	1	1	31-Jul-92	
23*	1025402	Rear Casing Element Cover SS	1	1		
* NOT ILLUSTRATED						
RECOMMENDED STOCK PARTS						

NOTES



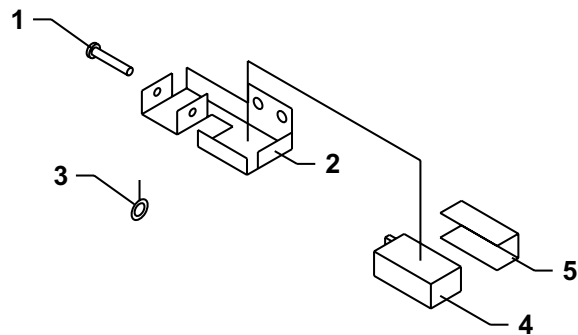
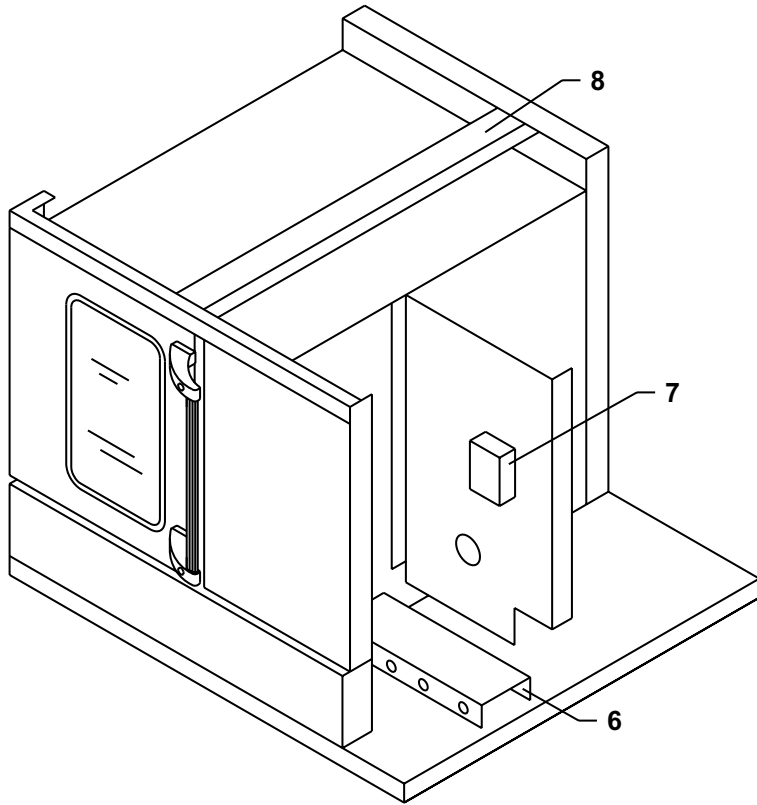
Spritzer ICO Motor & Control.dwg

GARLAND PARTS IDENTIFICATION

SPRITZER

ICO MOTOR & CONTROL

ITEM	PART #	DESCRIPTION	ICO
1	1719803	Control Panel Manual Interlock	1
2	1181000	Momentary Push Switch	1
3	1006489	Green Pilot Light 120V	1
	1006493	Pilot Light Green 240V	1
4	1792901	Potentiometer, 2.5 Meg	1
5	1791901	Spritzer Control Overlay	1
6	1019207	Rocker Switch Dpdt On/Off/On	1
7	1019209	Switch	1
8	1019209	Switch	1
9*	1657904M	Custom Overlay	1
10	1794401	Light Protector	2
11	1010105	Casing Back-Ss	1
12		Motor Assy	1
13	1794399	Nozzle Assy	1
* NOT ILLUSTRATED			
RECOMMENDED STOCK PARTS			

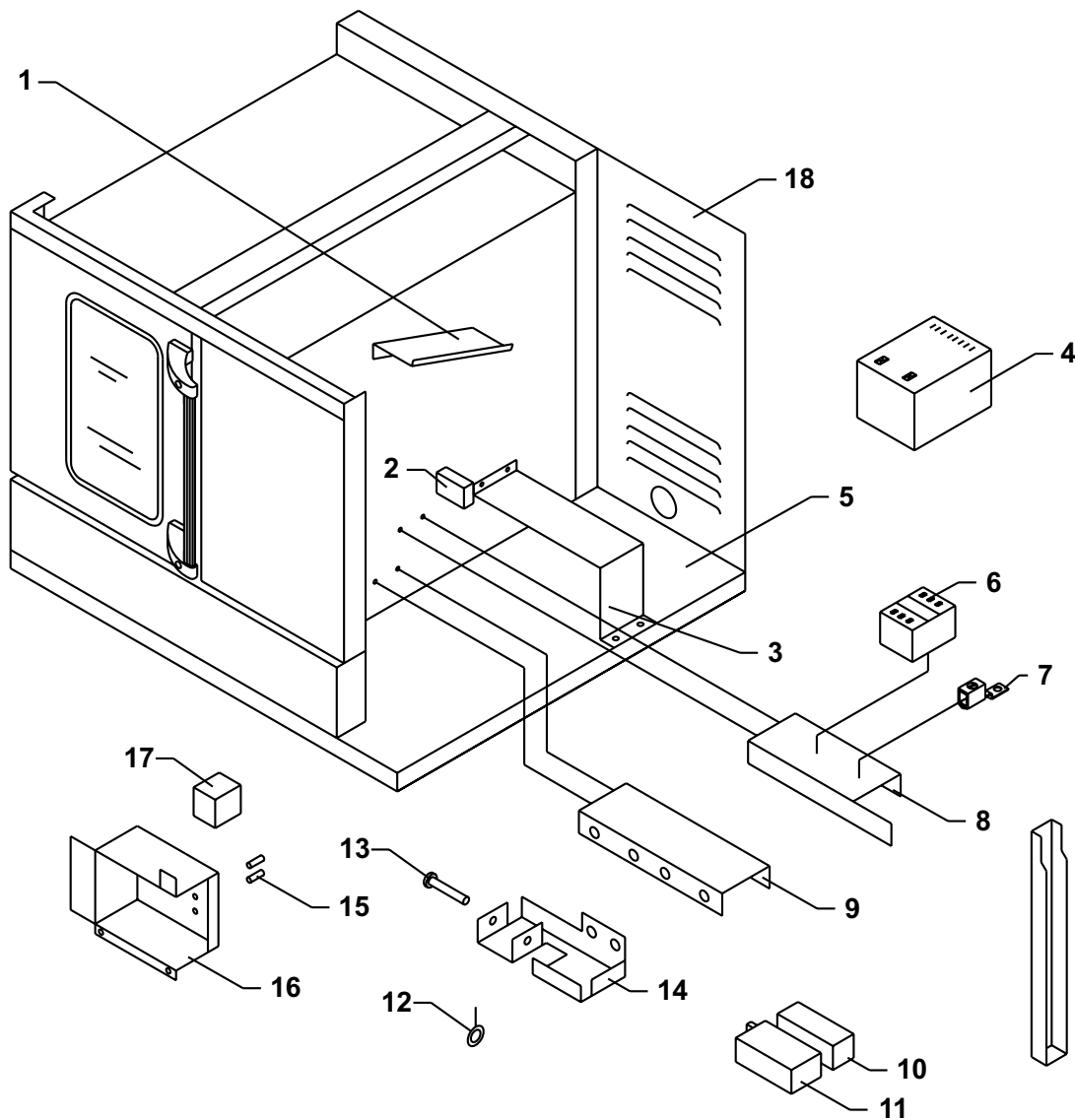


GARLAND PARTS IDENTIFICATION

SPRITZER

ICO-G-10-M GAS OVEN COMPONENTS

ITEM	PART #	DESCRIPTION	ICO
1	1795301	Solid Steel Rivet	1
2	1794601	Micro Swicth Bracket	1
3	1795401	Speed Clip	1
4	1793001	Micro Swicth	1
5	1793101	Terminal Cover	1
6	1718801	Control Panel Support Bracket	1
7	1792801	Single Shot Timer	1
8	1799801	Top Insulation Pan Support	1
* NOT ILLUSTRATED			
RECOMMENDED STOCK PARTS			



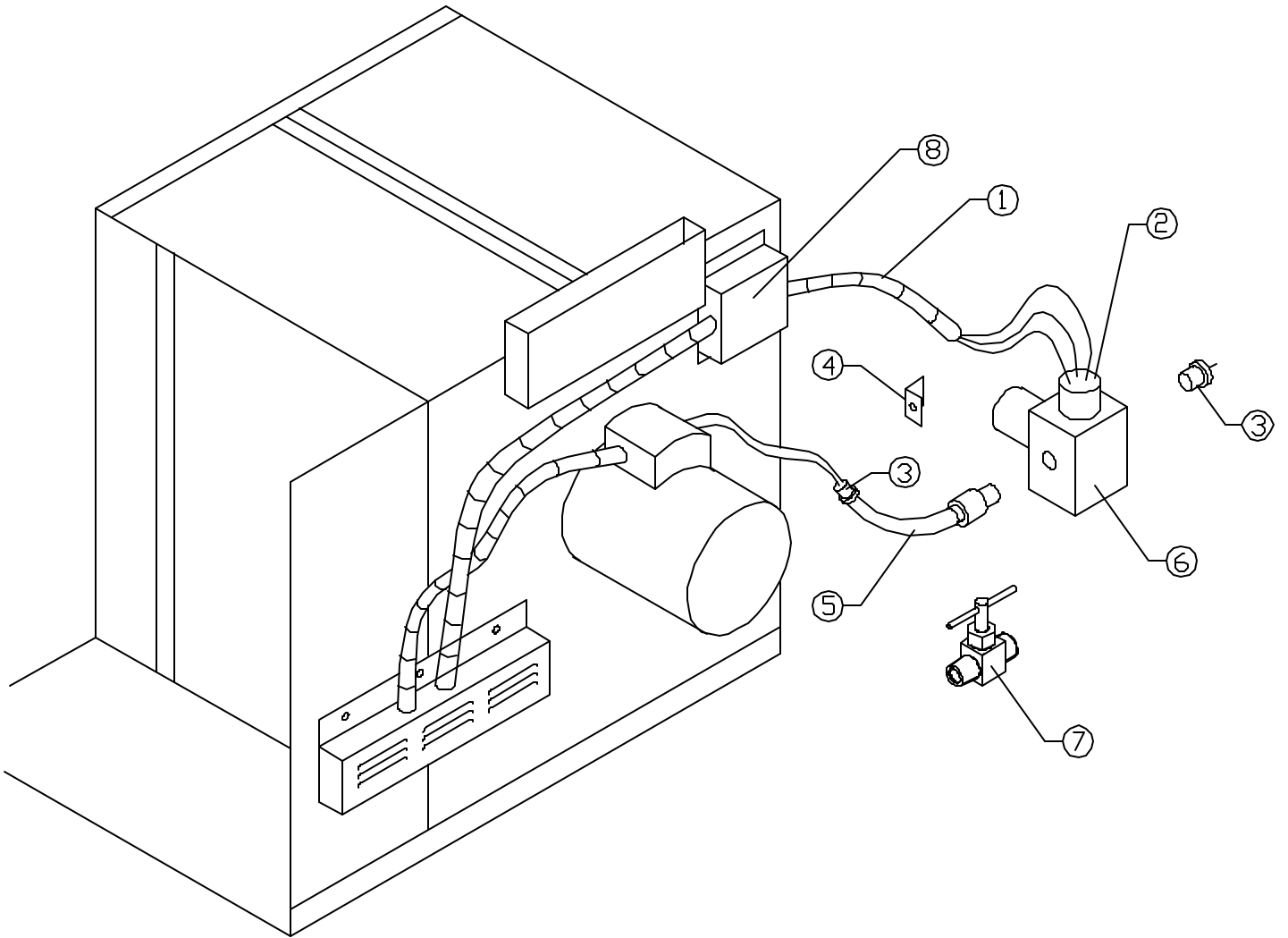
Spritzer ICO-E-10-M Oven.dwg

GARLAND PARTS IDENTIFICATION

SPRITZER

ICO-E-10-M ELECTRIC OVEN COMPONENTS

ITEM	PART #	DESCRIPTION	ICO
1	1798101	Drip Shield	1
2	1792801	Single Shot Timmer	1
3	1779801	Transformer Mtg Bracket	1
4		208/240 To 120 Volt Transformer	1
5	1798201	Bottom Heat Shield	1
6		Terminal Block	1
7	1028407	Ground Lug	1
8	1798601	Terminal Block Bracket	1
9	1718801	Control Panel Support Bracket	1
10	1793101	Terminal Cover	1
11	1793001	Micro Swicth	1
12	1795401	Speed Clip	1
13	1785301	Solid Steel Rivet	1
14	1794601	Micro Swicth Bracket	1
15		Fuse	2
16	1798401	Circuit Breaker Mount	1
17		Circuit Breaker	1
18	1015509	Rear Control Panel	1
* NOT ILLUSTRATED			
RECOMMENDED STOCK PARTS			



**GARLAND PARTS IDENTIFICATION
ICO-SPRITZER BACK PARTS**

ITEM	PART #	DESCRIPTION	ICO
1	000375TY	BX Cable 12"	1
2	1029600	Anti Short Bushing 3/8 Inch	2
3	1793701	Connection 1/8 Npt Male To 1/4	2
4	1801001	Solenoid Mounting Bracket	1
5	1794302	Nozzle Tube	1
6	1793201	Valve-Solenoid, 2 Way	1
7	1793601	Valve 1/8" NPT Male ,To 1/4"Cap	1
8	1014815	Light Box Cover	

* NOT ILLUSTRATED

RECOMMENDED STOCK PARTS



BULLETIN # B-29-2005-P

From: Parts and Service Division
To: All Authorized Service Agencies

Date: April 8, 2005

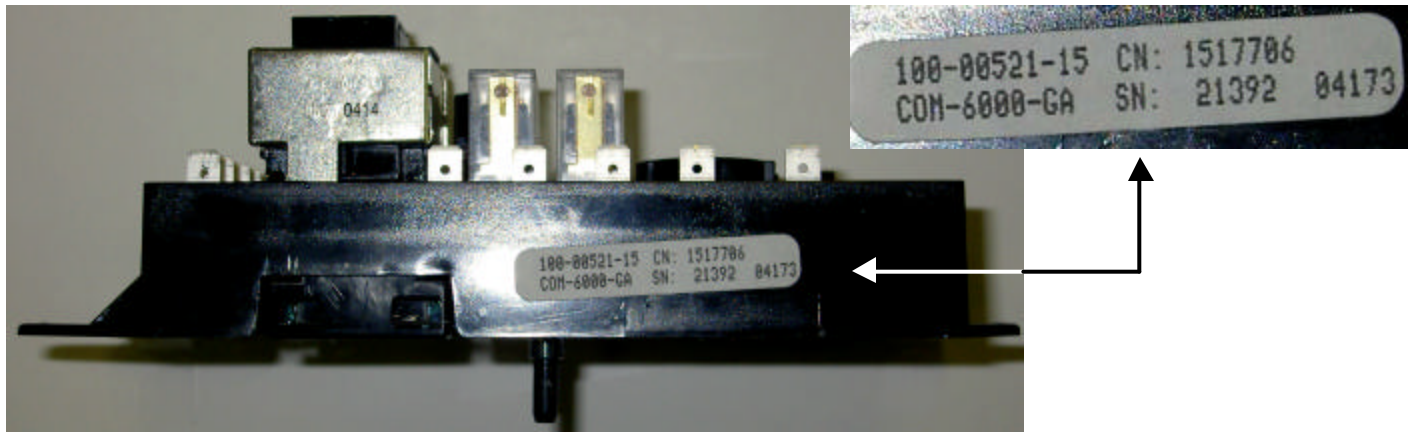
**PRODUCT: Garland MCO Full Size and Half Size Convection Ovens
 Garland ECO/ICO Convection Ovens**

SUBJECT: Controller Part Number 1517706.

This part has become no longer available from the vendor. Garland has developed several kits to convert the control panel from electronic digital control to our current 200 Series Controller. Below is a list of kits that Garland has made available.

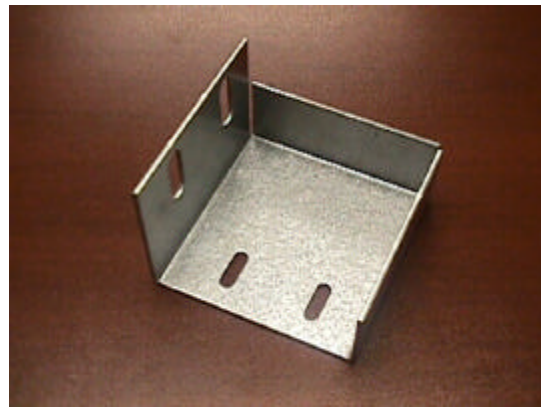
4518889 – Conversion to mechanical Control for MCO GS/D 115V Gas	→	For units manufactured Up to Feb 28/99
4518902 – Conversion to mechanical Control for MCO GS/D 208/240V Gas		
4518903 – Conversion to mechanical control for MCO ES/D 208/240V Electric		
4518959 – Conversion to mechanical control for ECO/ICO 208/240V Electric	→	For units manufactured After Aug 12/94
4518961 – Conversion to mechanical control for ECO/ICO 115V Gas		
4519017 – Conversion to mechanical control for MCO-E-5 Electric		
4519016 – Conversion to mechanical control for MCO-G-5 Gas		

Please note the above kits are for units built with the 1517706 and are specific to the models they are listed for. These kits will not work on equipment with a controller part number other than 1517706. The part number of the control can be found on the controller side located on a white sticker as pictured below.





1855603
HIGH TEMP MICRO SWITCH



1954502
MICRO SWITCH BRACKET



1019600
DOOR SAFETY MICRO SWITCH



1855601
LIMIT SWITCH UPPER



1758901
PILOT NAT ELECTRONIC

GARLAND PARTS IDENTIFICATION
Revision History

REV. #	PAGE #	ITEM #	NOTE	DATE
1	5	11	New Thermostat (Use G02902-01)	April 23/03
2	11	24	New Part Number Added - 1855601 & 1855603	Sept 11/03
		26	New Part Number Added - 1905302 & 1954502	
		27	Digital Photos Added	
3	5	16	Part # Added	Feb 04/04
	6		Switched Part # 18 & 19	
	24		New Drawing	
	25	5, 7, 8	New part nubers	
4	7	9	Part #1517706 Gas/Electrical MCO Control is no longer available, Replaced by kits, part # 4518959 & 4518961	Sept 26/05
			New part # 4518959 added	
			New part # 4518961 added	
	26		Service bulletin added	
5	12,13	29	New part number added	Jan 18/06

 **GARLAND**