



# ILLUSTRATED PARTS LIST VISUAL MERCHANDISER

## COR7VM EXPLODED VIEW

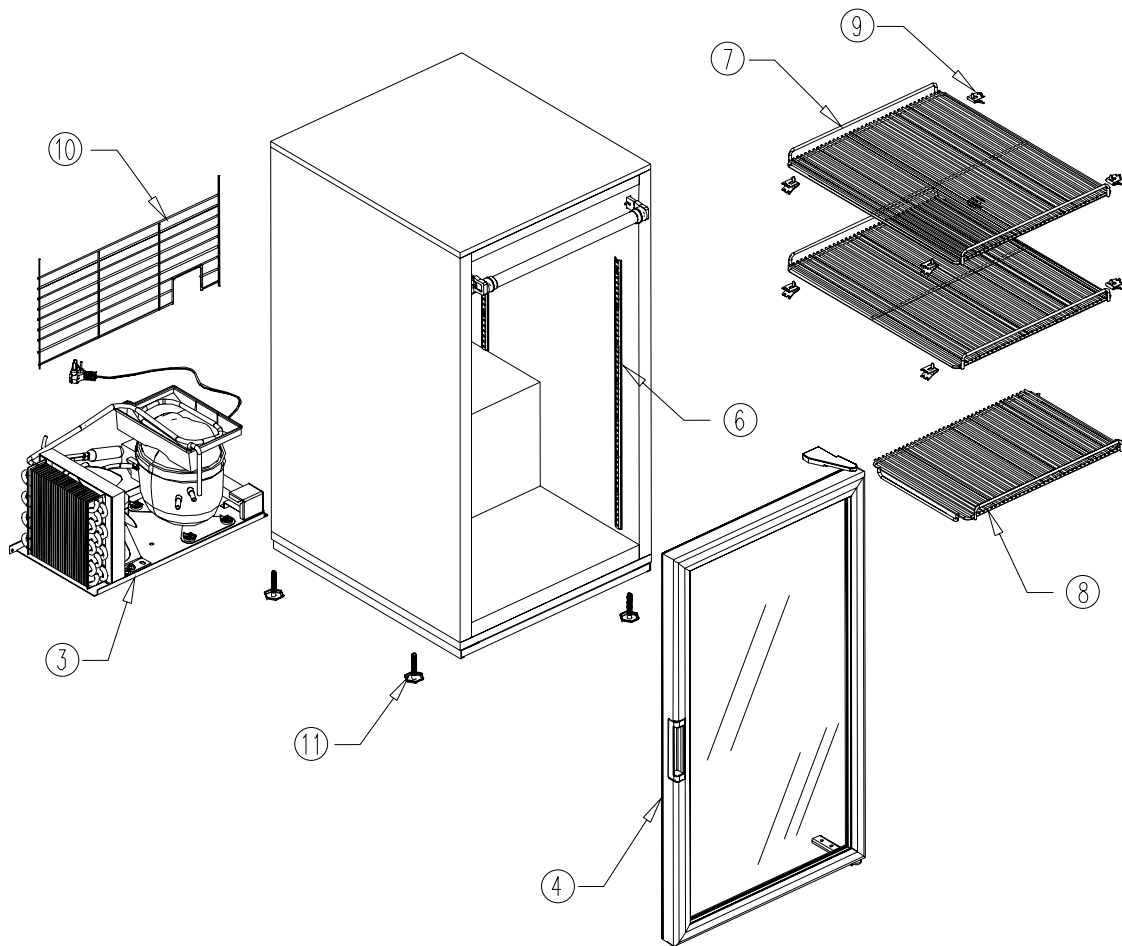


FIGURE 1

| Item No. | Part No. | Name                                |
|----------|----------|-------------------------------------|
| 3        | FIGURE 3 | Condensing unit 1/8 HP<br>115V/60Hz |
| 4        | 1034865  | Swing door system                   |
| 6        | 1034870  | Pilaster 30"                        |
| 7        | 1034871  | Flat shelf                          |

| Item No. | Part No. | Name             |
|----------|----------|------------------|
| 8        | 1034872  | Floor flat shelf |
| 9        | 1033450  | Shelf clips      |
| 10       | 1035381  | Back grill       |
| 11       | 1034873  | Leveling legs    |

# COR7VM

## REFRIGERATION SYSTEM

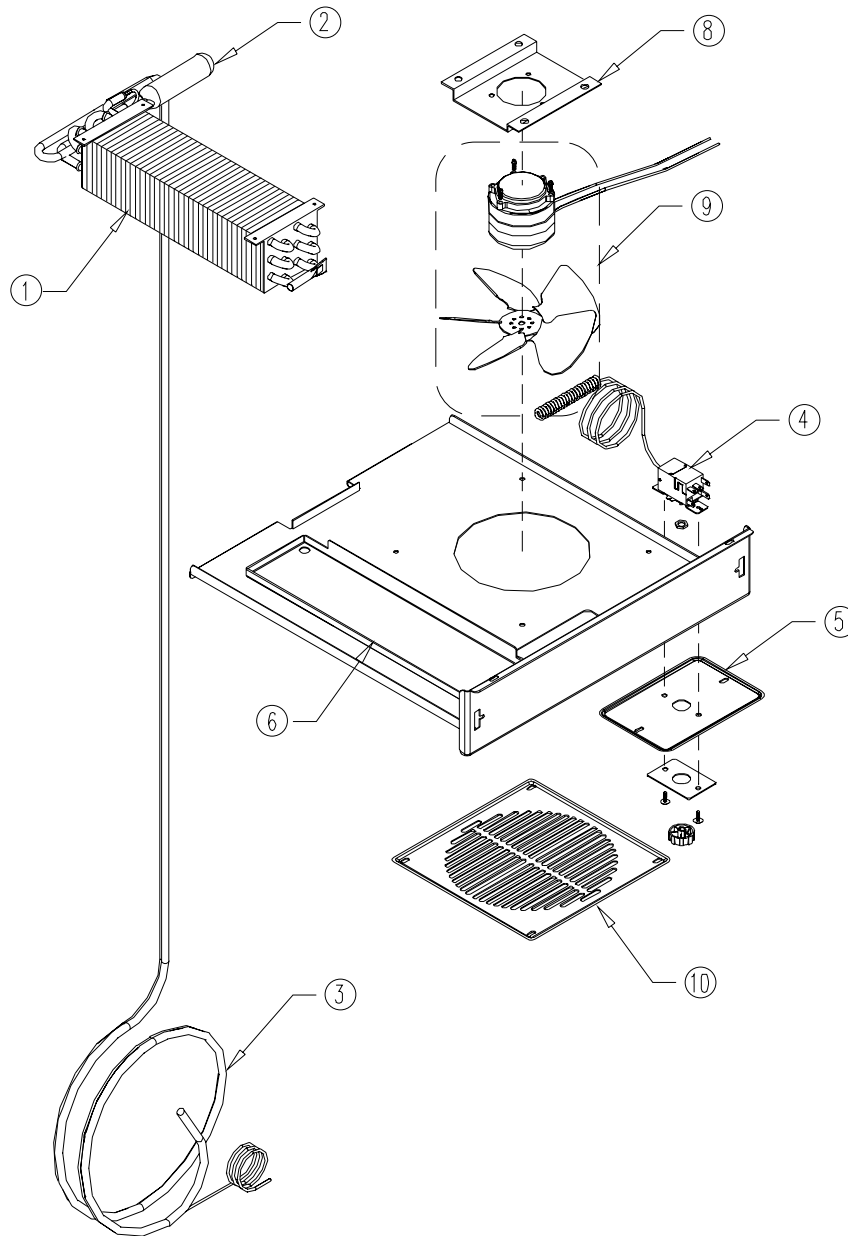


FIGURE 2

| Item No. | Part No. | Name               |
|----------|----------|--------------------|
| 1        | 1033242  | Evaporator         |
| 2        | 1033243  | Accumulator        |
| 3        | 1035389  | Heat exchanger     |
| 4        | 1036811  | Thermostat         |
| 5        | 1037644  | Thermostat bracket |

| Item No. | Part No. | Name                |
|----------|----------|---------------------|
| 6        | 1034854  | Evaporator pan      |
| 8        | 1033245  | Fan motor bracket   |
| 9        | 1034855  | Fan motor and blade |
| 10       | 1033247  | Fan guard           |

# COR7VM

## CONDENSING UNIT ASSEMBLY AND ITS COMPONENTS

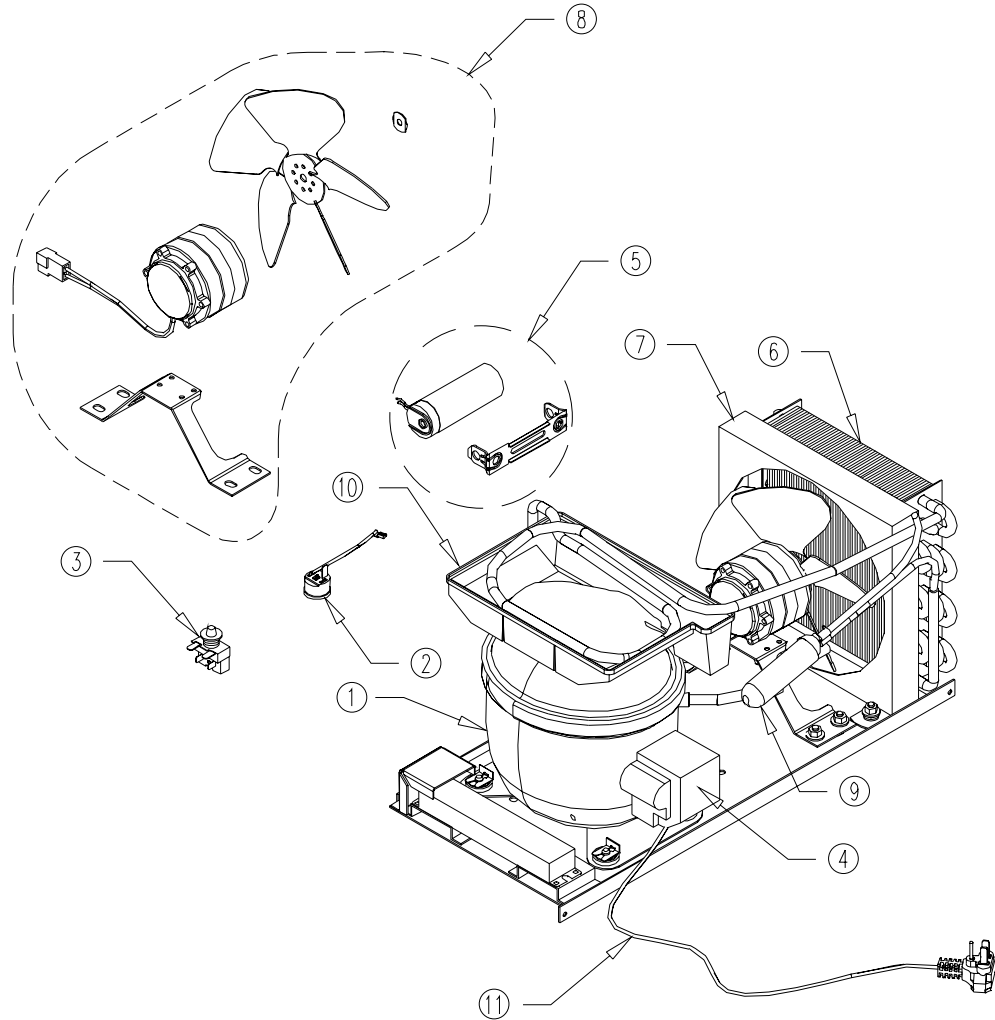


FIGURE 3

| Item No. | Part No. | Name                                 |
|----------|----------|--------------------------------------|
| 1        | 1034856  | Compressor 1/8 HP<br>115V/60H        |
| 2        | 1034857  | Overload protector<br>4TM757MFBYY-53 |
| 3        | 1034858  | Relay 213514105                      |
| 4        | 1034859  | Electrical box                       |
| 5        | 1034860  | Start capacitor 150-180<br>$\mu$ F   |
| 6        | 1034861  | Condenser                            |

| Item No. | Part No. | Name                             |
|----------|----------|----------------------------------|
| 7        | 1034862  | Condenser shroud                 |
| 8        | 1034855  | Condenser fan motor<br>and blade |
| 9        | 1034863  | Drier                            |
| 10       | 1034864  | Compressor evaporation<br>tray   |
| 11       | 1033255  | Power cord                       |

# COR7VM

## SWING DOOR ASSEMBLY AND ITS COMPONENTS

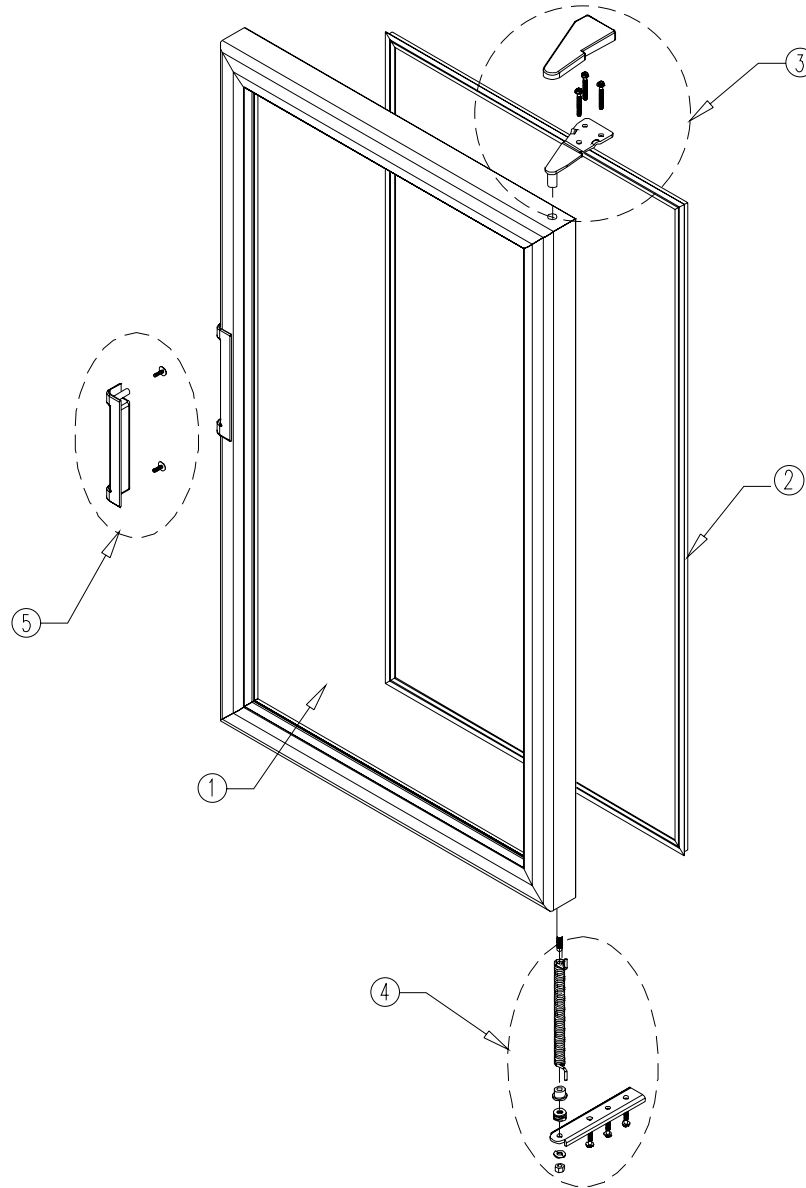


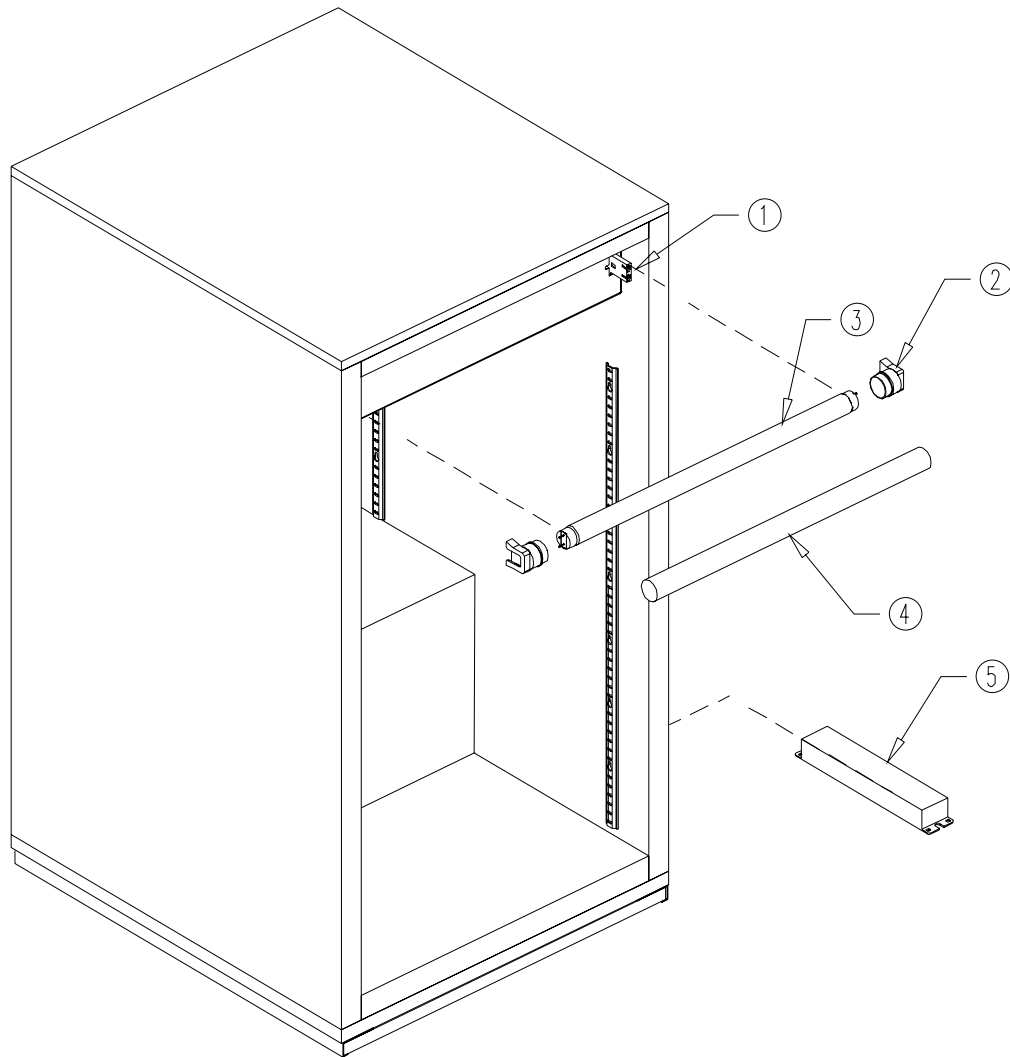
FIGURE 4

| Item No. | Part No. | Name                 |
|----------|----------|----------------------|
|          | 1034865  | Complete door        |
| 1        | 1034866  | Glass pane           |
| 2        | 1034867  | Magnetic gasket      |
| 3        | 1033223  | Upper hinge assembly |

| Item No. | Part No. | Name                 |
|----------|----------|----------------------|
| 4        | 1034868  | Lower hinge assembly |
| 5        | 1033237  | Complete door handle |

# COR7VM

## INTERIOR LIGHTING SYSTEM ASSEMBLY AND ITS COMPONENTS



**FIGURE 5**

| Item No. | Part No. | Name  |
|----------|----------|---|
| 1        | 1033256  | Lampholder                                    |
| 2        | 1033257  | Lampholder cap                                |
| 3        | 1035380  | Fluorescent tube 13 W<br>T8 (FO13/865/XP/ECO) |

| Item No. | Part No. | Name                                  |
|----------|----------|---------------------------------------|
| 4        | 1034869  | Light shield                          |
| 5        | 1033225  | Balast QT1x32/120 IS-<br>SC (120V/60) |