



# ILLUSTRATED PARTS LIST REACH-IN FREEZER

## COR74RFTMT EXPLODED VIEW

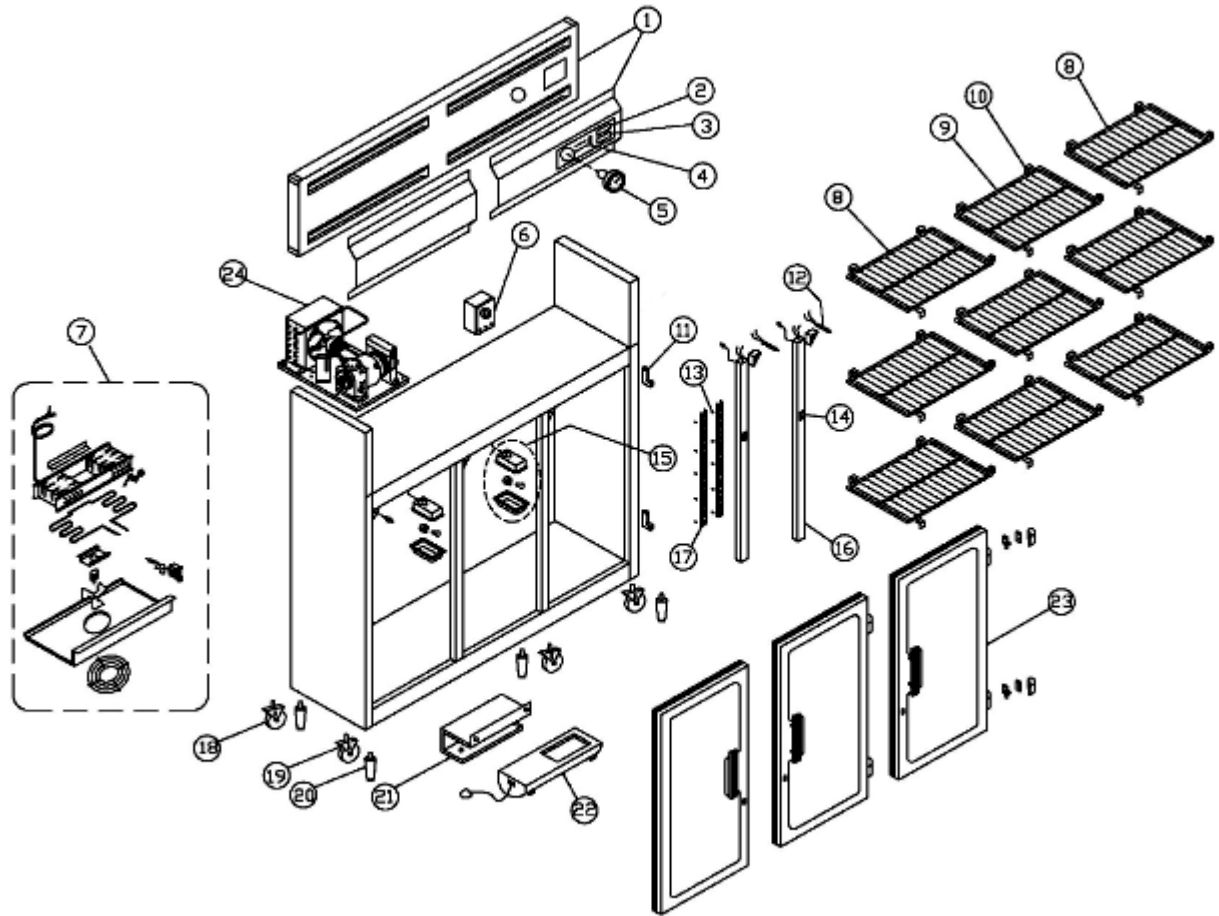


FIGURE 1



# COR74RFTMT

## EXPLODED VIEW

Item No.	Part No.	Name
1	1044264	Motor cover assembly
2	1035303	Green power switch
3	1035301	Red door ajar switch
4	1035300	Condenser eliminator switch
5	1035304	Thermometer
6	1035224	Timer clock
7	See FIGURE 2	Refrigeration system
8	1035297	Left and right flat shelf
9	1035295	Center shelf
10	1035221	Shelf clip
11	1035277	Door hinge
12	1035302	Door switch
13	1035210	Pilaster buttons

Item No.	Part No.	Name
14	1041350	Door lock assembly
15	See FIGURE 5	Interior lighting system
16	1044263	Mullion assembly
17	1034919	Pilaster 48"
18	1035219	Casters without brakes
19	1035220	Casters with brakes
20	1041348	Adjustable legs (optional)
21	1044262	Evaporator pan bracket
22	1035287	Evaporator pan
23	See FIGURE 4	Swing door system
24	See FIGURE 3	Complete condensing unit 115V/60Hz

# COR74RFTMT

## REFRIGERATION SYSTEM AND ITS COMPONENTS

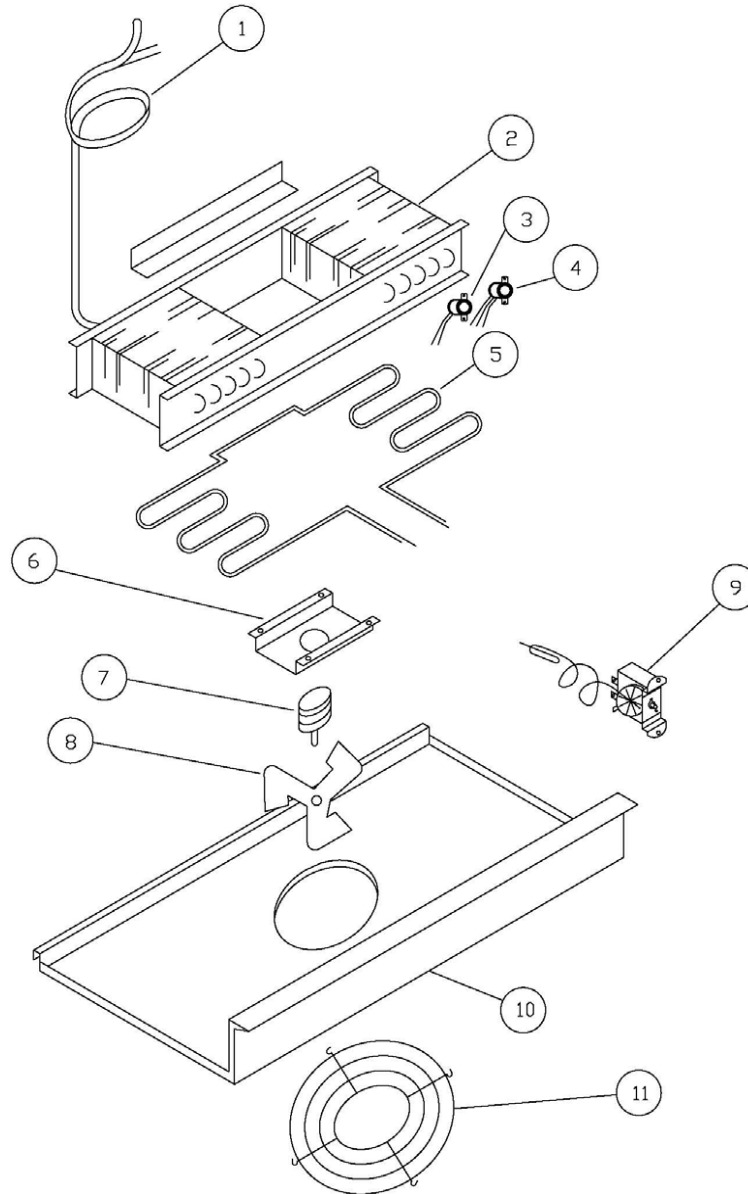


FIGURE 2

Item No.	Part No.	Name
1	1044261	Heater exchanger
2	1035230	Evaporator
3	1043038	Thermodisk
4	1035251	Thermodisk
5	1041349	Defrost rod heater
6	1044260	Evaporator fan motor bracket

Item No.	Part No.	Name
7	1044259	Evaporator fan motor
8	1035269	Evaporator fan blade
9	1035250	Thermostat
10	1044258	Baffle
11	1035274	Fan guard

# COR74RFTMT

## CONDENSING UNIT ASSEMBLY AND ITS COMPONENTS

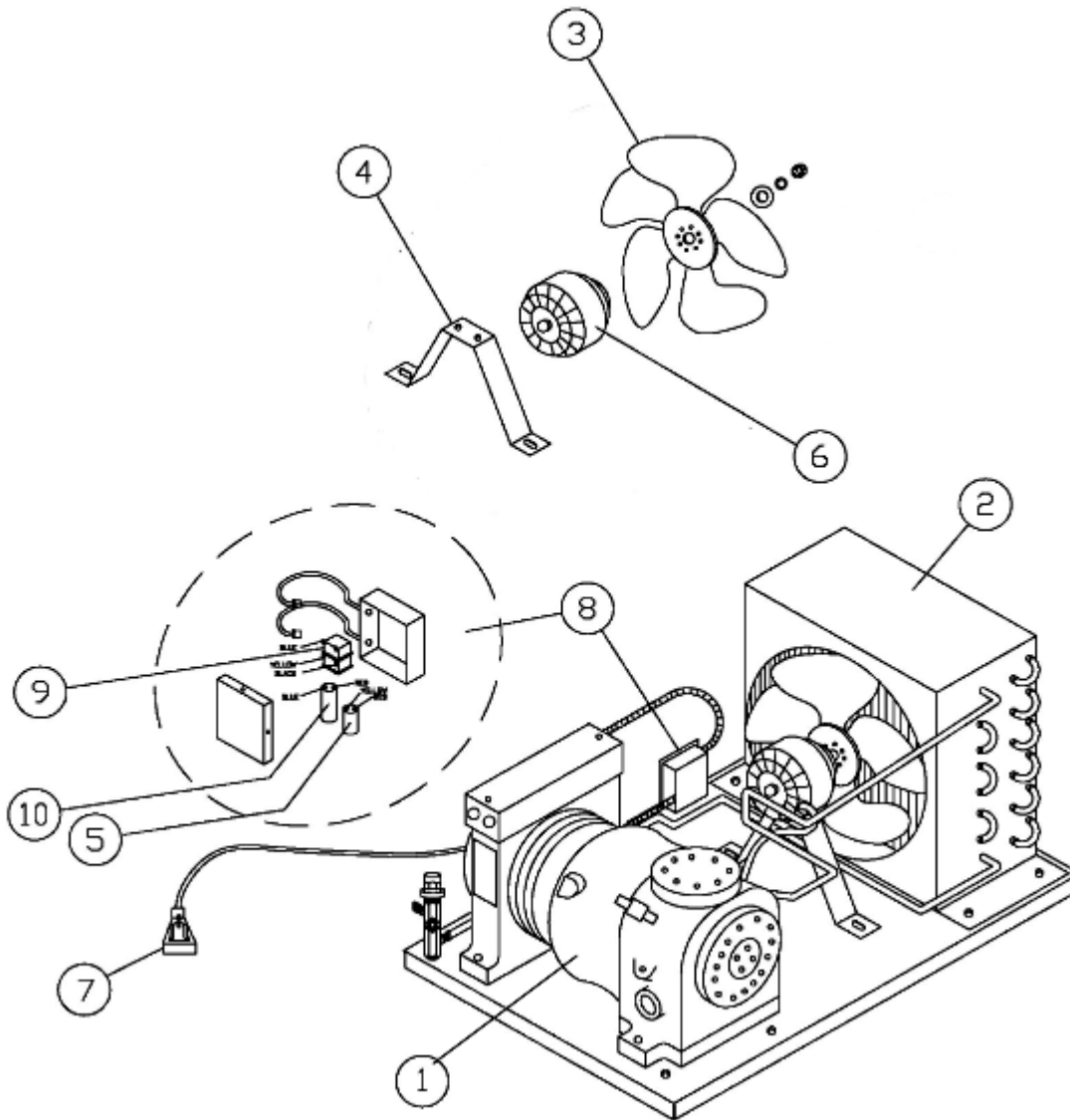


FIGURE 3

Item No.	Part No.	Name
1	1044257	Compressor 3/4HP 220V/60Hz
2	1044256	Condenser
3	1044255	Condenser fan blade
4	1044254	Condenser fan motor bracket
5	1035218	Starting capacitor

Item No.	Part No.	Name
6	1044253	Condenser fan motor
7	1044252	Power cord
8	1044251	Power pack
9	1035293	Relay
10	1035211	Running capacitor

# COR74RFTMT

## SWING DOOR ASSEMBLY AND ITS COMPONENTS

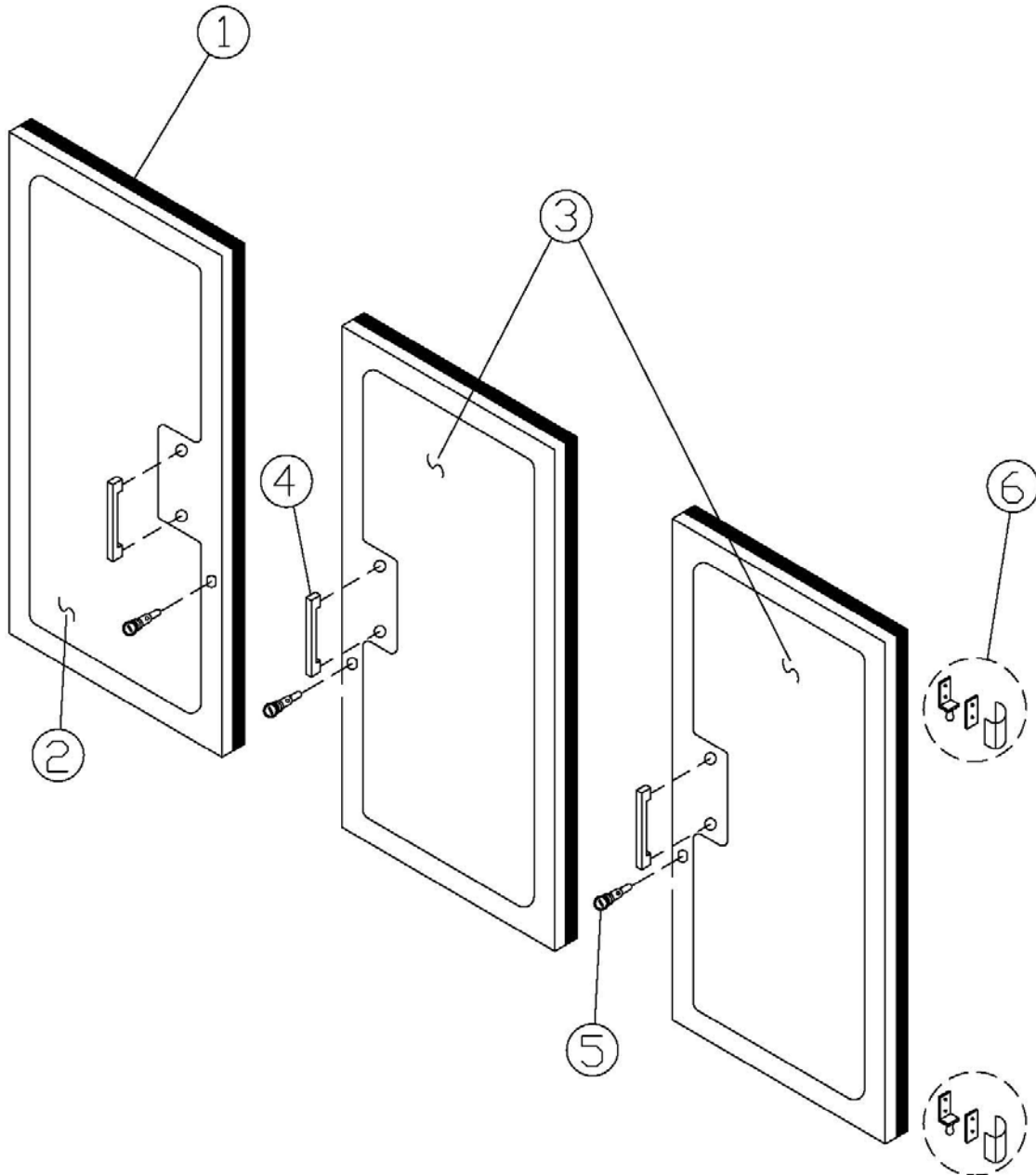


FIGURE 4

Item No.	Part No.	Name
1	1035270	Magnetic gasket
2	1044250	Left complete door
3	1044249	Right complete door

Item No.	Part No.	Name
4	1042189	Door handle
5	1041350	Cylinder locks
6	1035277	Door hinge assembly

# COR74RFTMT

## INTERIOR LIGHTING SYSTEM ASSEMBLY AND ITS COMPONENTS

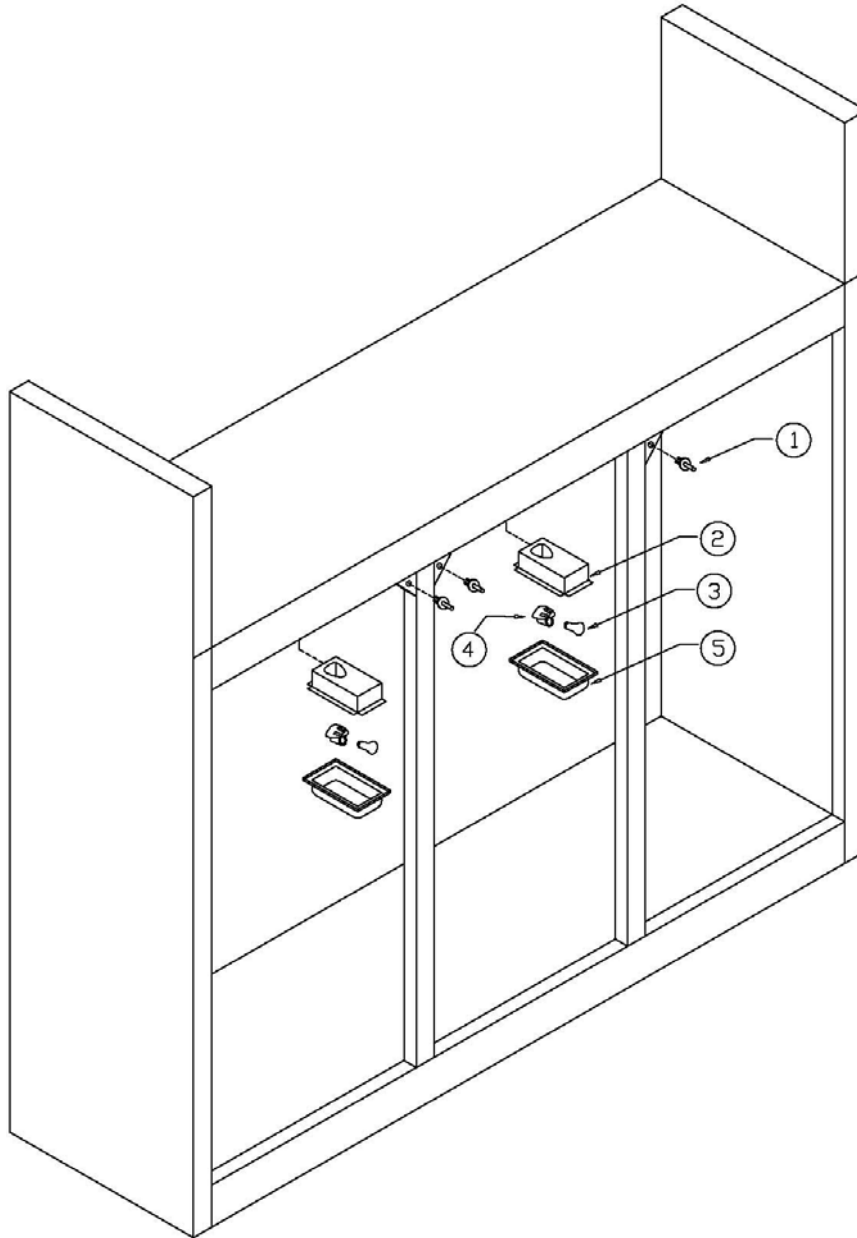


FIGURE 5

Item No.	Part No.	Name
1	1035302	Interior light switch
2	1044248	Bulb bracket
3	1035209	Bulb 25 watts

Item No.	Part No.	Name
4	1042187	Bulb socket
5	1042186	Bulb guard