



# ILLUSTRATED PARTS LIST REACH-IN FREEZER

## COR49RFBMD EXPLODED VIEW

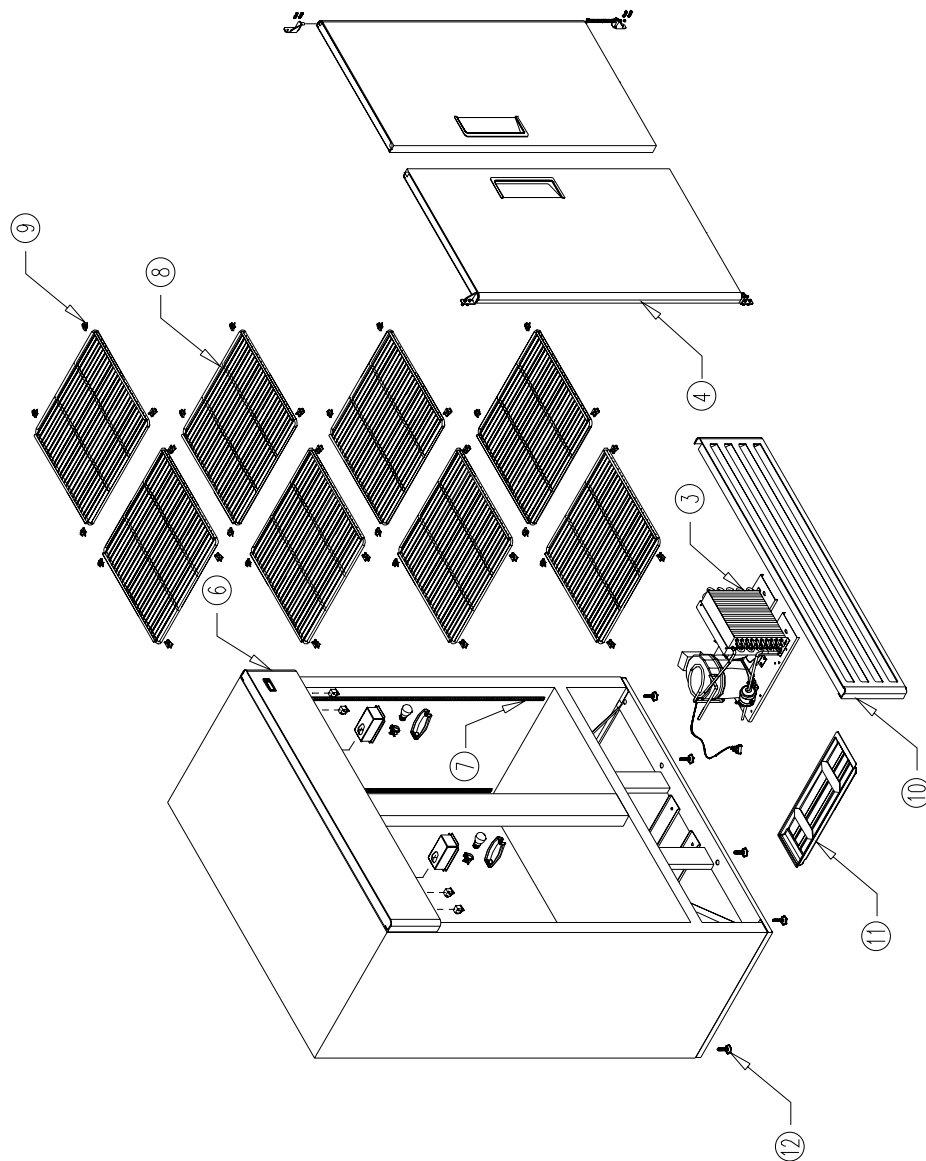


FIGURE 1

Item No.	Part No.	Name
3	FIGURE 3	Condensing unit 1 HP 115V/60Hz
4	1035007	Swing door system
6	1034997	Front panel
7	1034919	Pilaster 48"

Item No.	Part No.	Name
8	1034998	Flat shelf
9	1033450	Shelf clips
10	1034999	Front grill
11	1034942	Water pan
12	1033235	Leveling legs



# COR49RFBMD

## REFRIGERATION SYSTEM

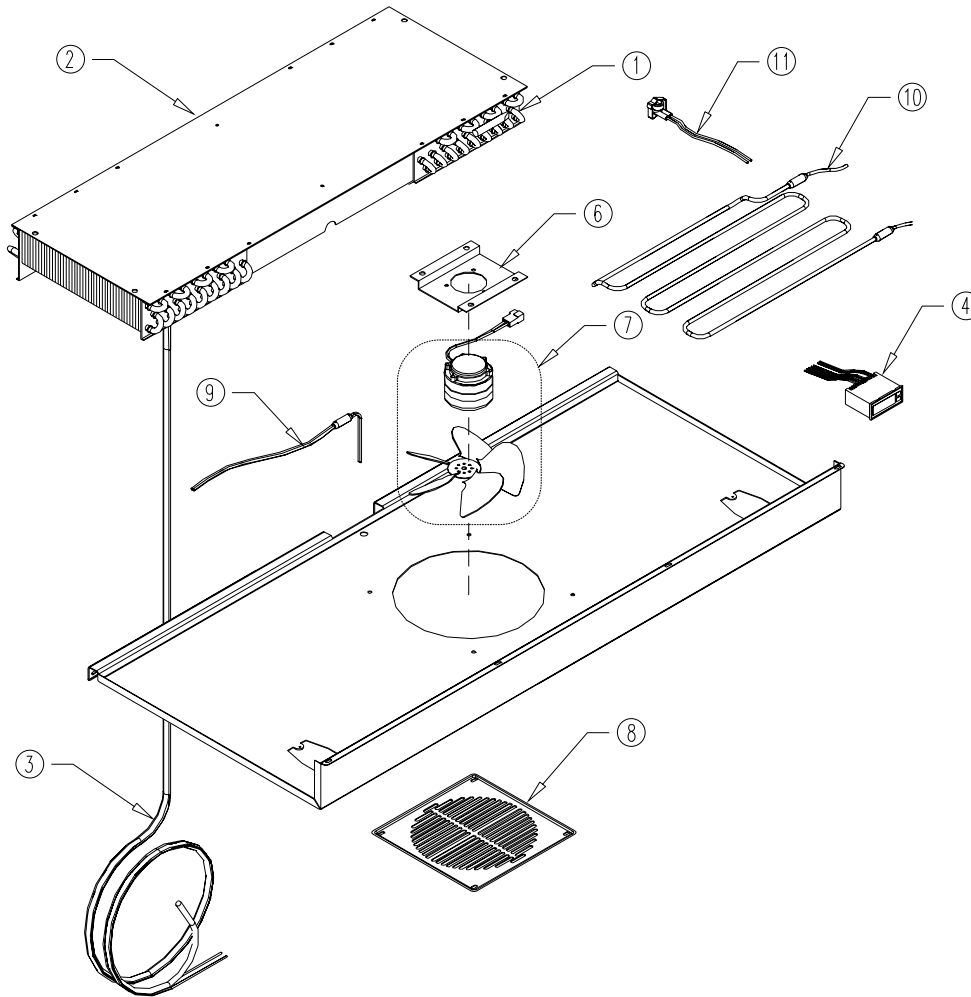


FIGURE 2

Item No.	Part No.	Name
1	1034943	Evaporator
2	1034924	Accumulator
3	1035392	Heat exchanger
4	1034979	Electronic thermostat
6	1035042	Fan motor bracket

Item No.	Part No.	Name
7	1034945	Fan motor and blade
8	1035395	Fan guard
9	1034981	Drainage defrost heater 115 V/12 Watts
10	1034982	Defrost rod heater
11	1034983	Thermodisk



# COR49RFBMD

## CONDENSING UNIT ASSEMBLY AND ITS COMPONENTS

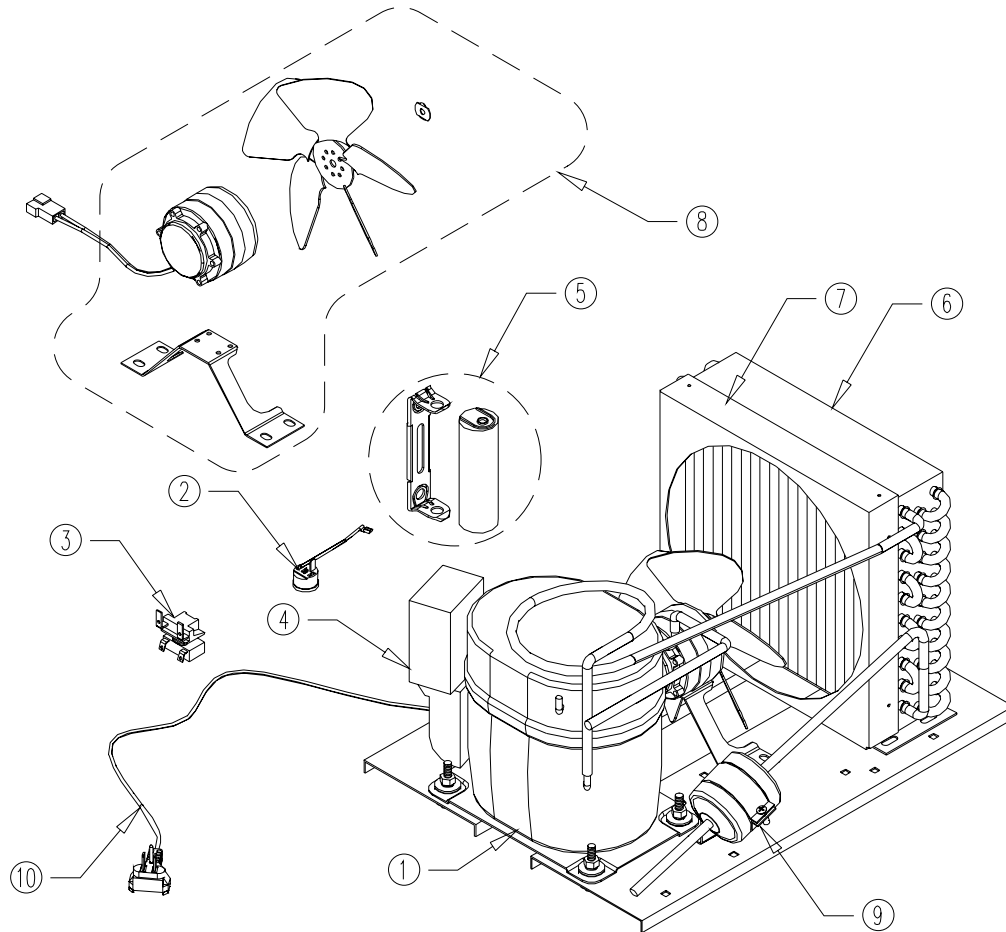


FIGURE 3

Item No.	Part No.	Name
		Complete unit 1 HP 115V/60Hz
1	1035000	Compressor 1 HP 115V/60Hz
2	1035001	Overload protector 3HM526-105
3	1035002	Relay 3ARR3B3P3
4	1035003	Electrical box

Item No.	Part No.	Name
5	1035004	Start capacitor 145-175 $\mu$ F
6	1035005	Condenser
7	1035006	Condenser shroud
8	1034933	Condenser fan motor and blade
9	1034989	Drier
10	1033255	Power cord



# COR49RFBMD

## SWING DOOR ASSEMBLY AND ITS COMPONENTS

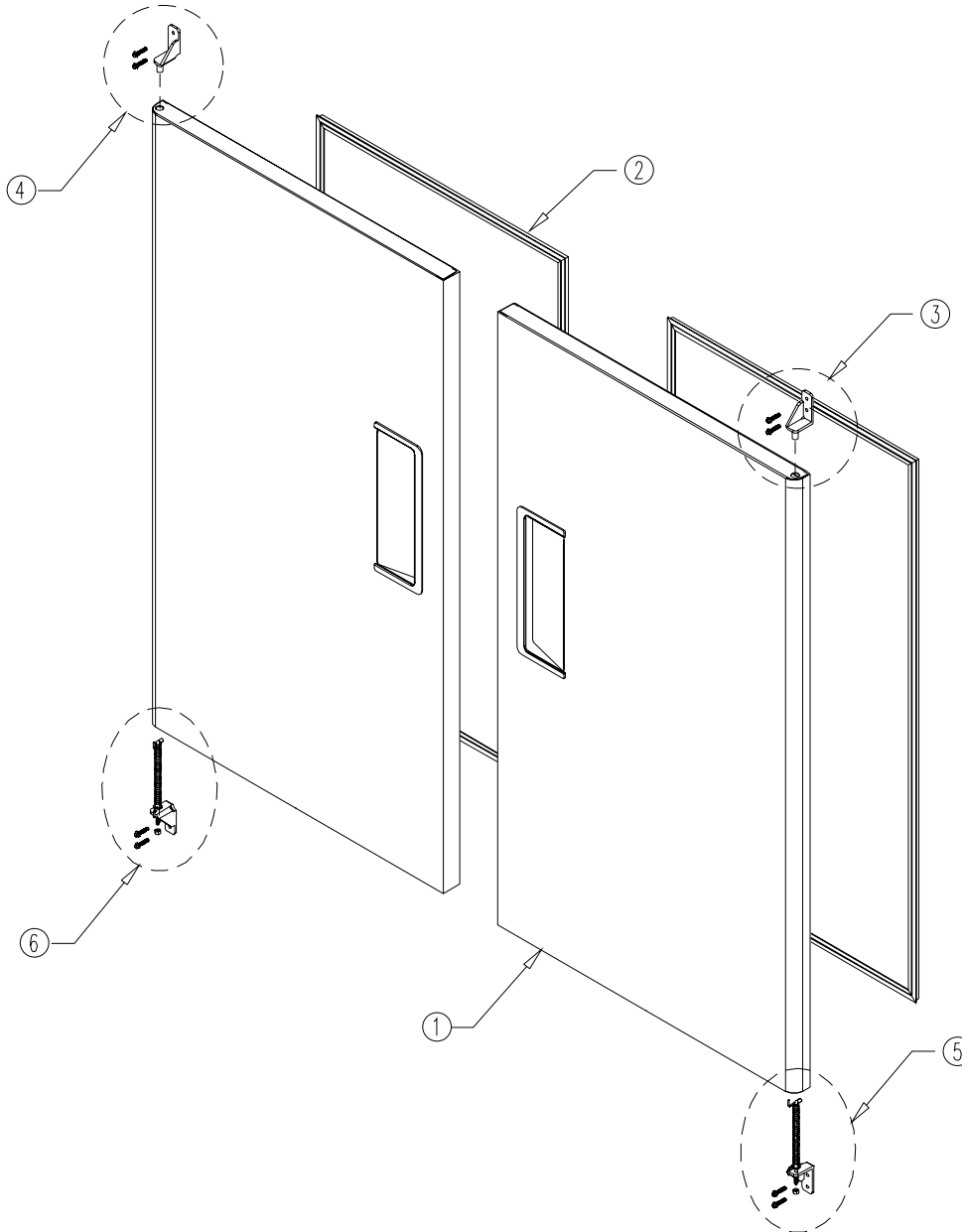


FIGURE 4

Item No.	Part No.	Name
	1035007	Complete door
1	1034996	Swing door
2	1034968	Magnetic gasket
3	1034969	Right upper hinge assembly

Item No.	Part No.	Name
4	1034992	Left upper hinge assembly
5	1033222	Right lower hinge assembly
6	1034993	Left lower hinge assembly



# COR49RFBMD

## INTERIOR LIGHTING SYSTEM ASSEMBLY AND ITS COMPONENTS

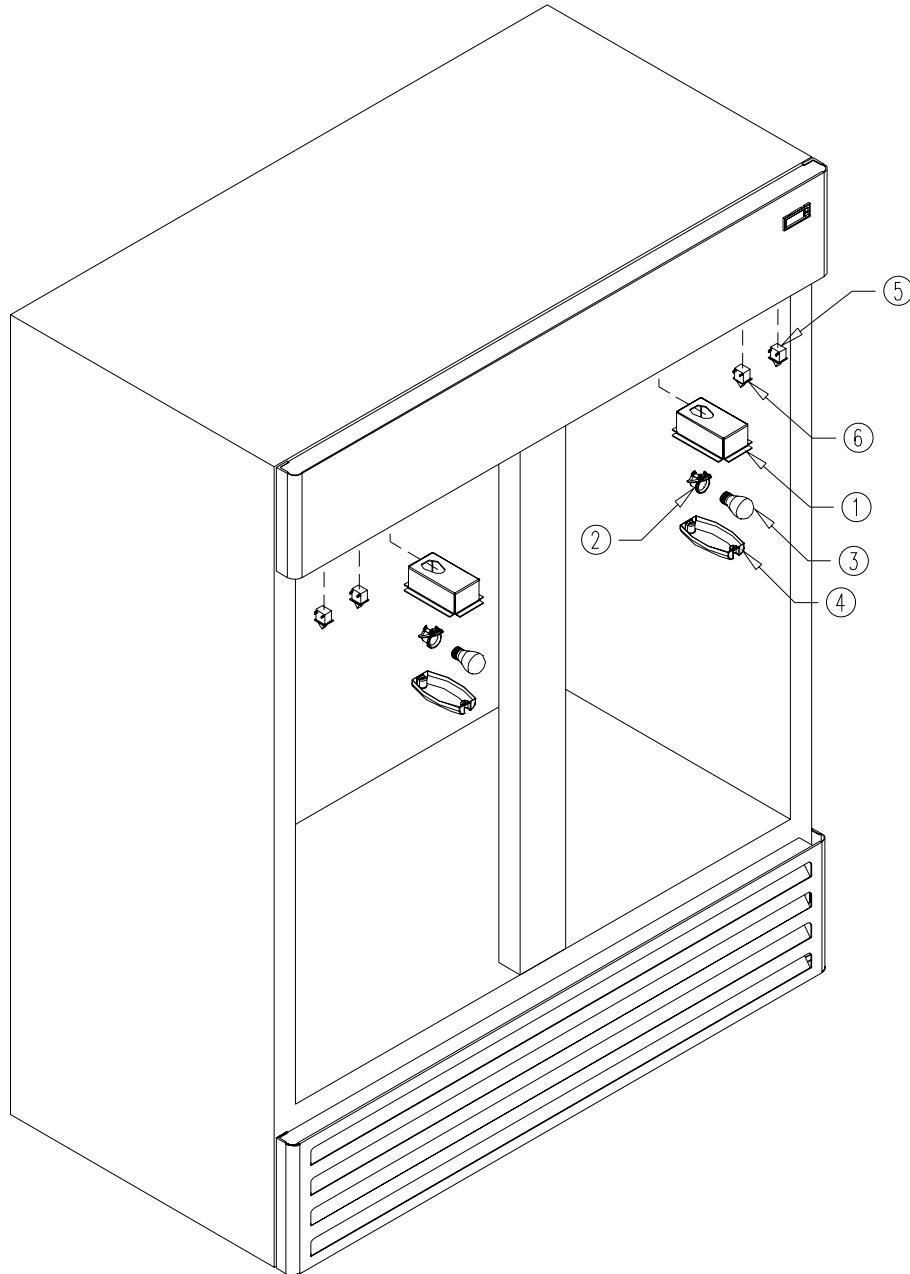


FIGURE 5

Item No.	Part No.	Name
1	1034971	Bulb bracket
2	1034972	Bulb socket
3	1035398	Bulb 25 watts

Item No.	Part No.	Name
4	1034973	Bulb guard
5	1034974	Evaporator fan motor switch
6	1034975	Interior light switch