



ILLUSTRATED PARTS LIST REACH-IN FREEZER

COR48RFTMD

EXPLODED VIEW

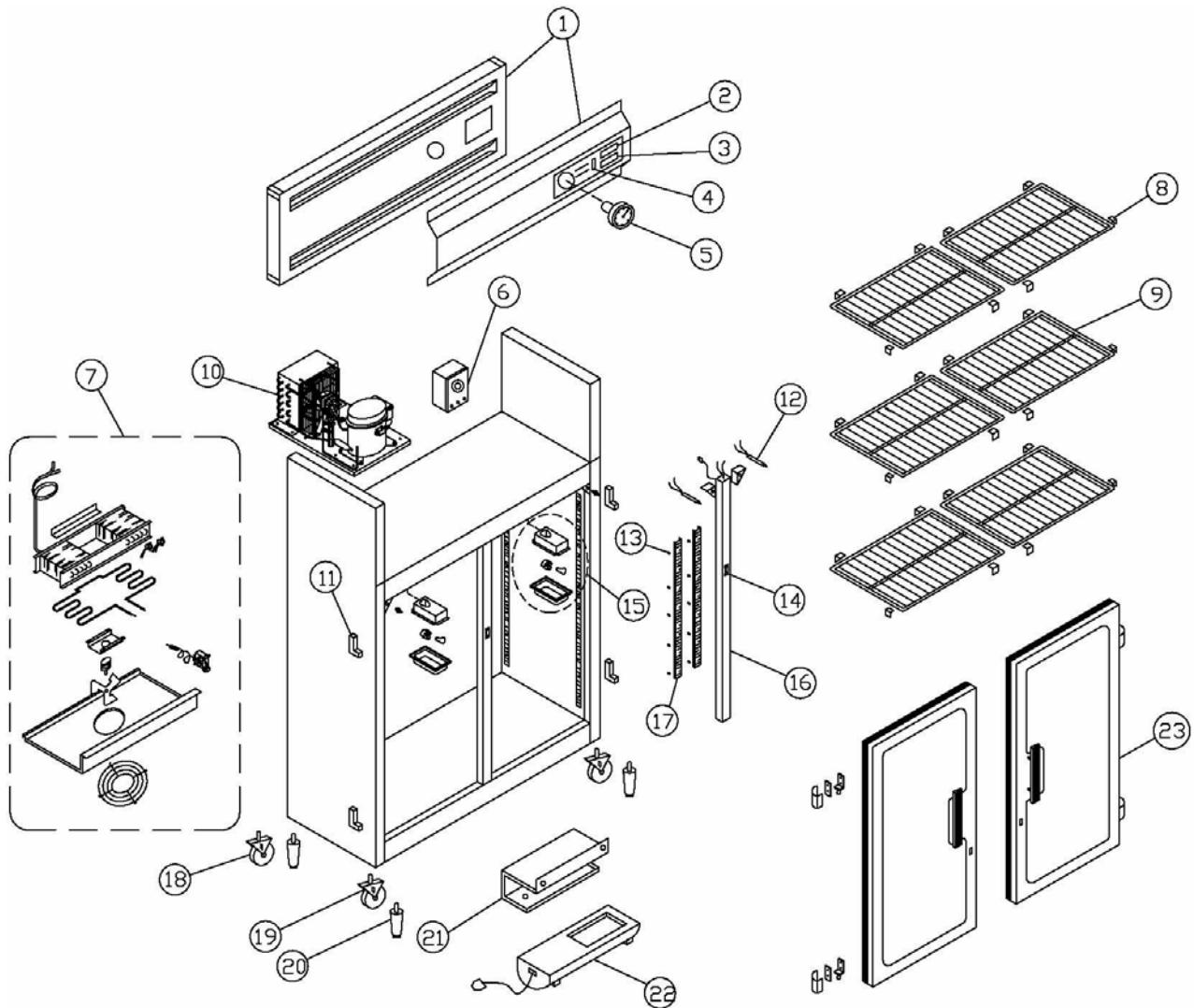


FIGURE 1

Item No.	Part No.	Name
1	1042211	Motor Cover Assembly
2	1035303	Green Power Switch
3	1035301	Red Door Ajar Switch
4	1035300	Condenser Eliminator Switch
5	1035304	Thermometer
6	1035224	Timer Clock
7	FIGURE 2	Refrigeration System
8	1035221	Shelf Clips
9	1035297	Right and Left Flat Shelf
10	FIGURE 3	Complete Condensing Unit 115V/60Hz
11	1035277	Door Hinge

Item No.	Part No.	Name
12	1035302	Door Switch
13	1035210	Pilaster Buttons
14	1041350	Door Lock Assembly
15	FIGURE 5	Interior Lighting System
16	1042210	Mullion Assembly
17	1035288	Pilaster 48"
18	1035219	Casters without Brakes
19	1035220	Casters with Brakes
20	1041348	Adjustable Legs (Optional)
21	1042209	Evaporator Pan Bracket
22	1035287	Evaporator Pan
23	FIGURE 4	Swing Door System



COR48RFTMD

REFRIGERATION SYSTEM

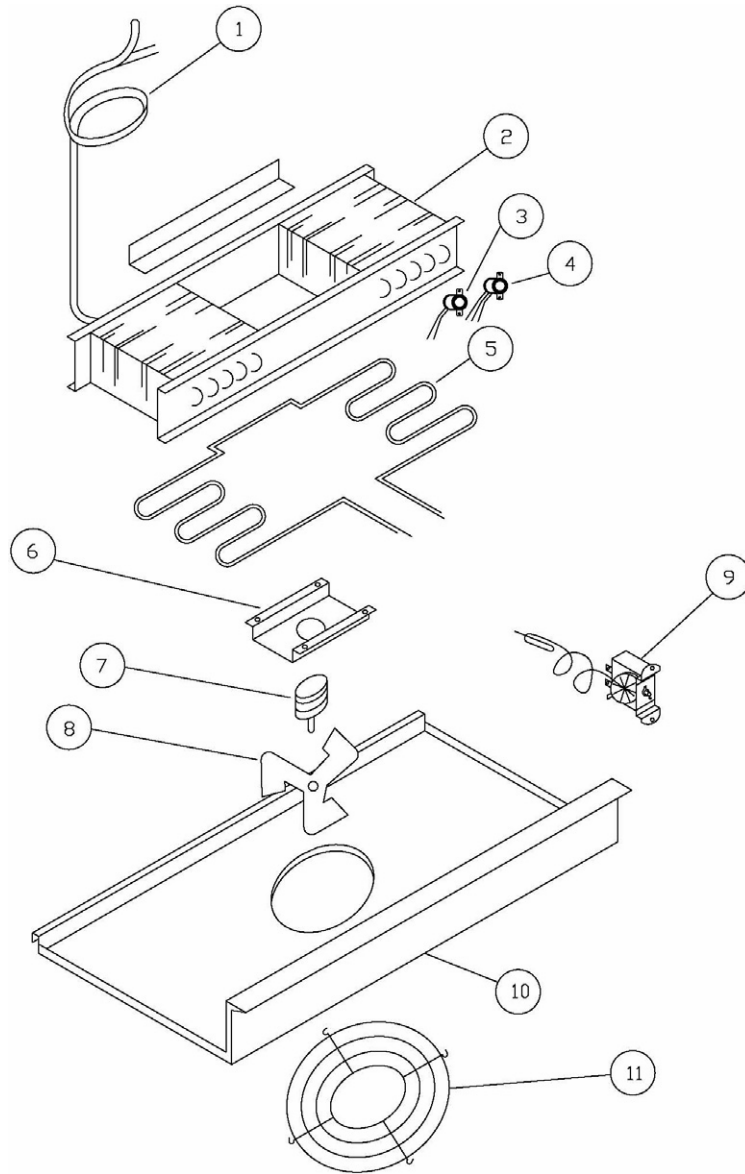


FIGURE 2

Item No.	Part No.	Name
1	1042208	Heater Exchanger
2	1035228	Evaporator
3	1043038	Thermodisk 2-wire
4	1035251	Thermodisk 3-wire
5	1034982	Defrost Rod Heater
6	1042207	Evaporator Fan Motor Bracket

Item No.	Part No.	Name
7	1035285	Evaporator Fan Motor
8	1035269	Evaporator Fan Blade
9	1035250	Thermostat
10	1042546	Baffle
11	1035274	Fan Guard

COR48RFTMD

CONDENSING UNIT ASSEMBLY AND ITS COMPONENTS

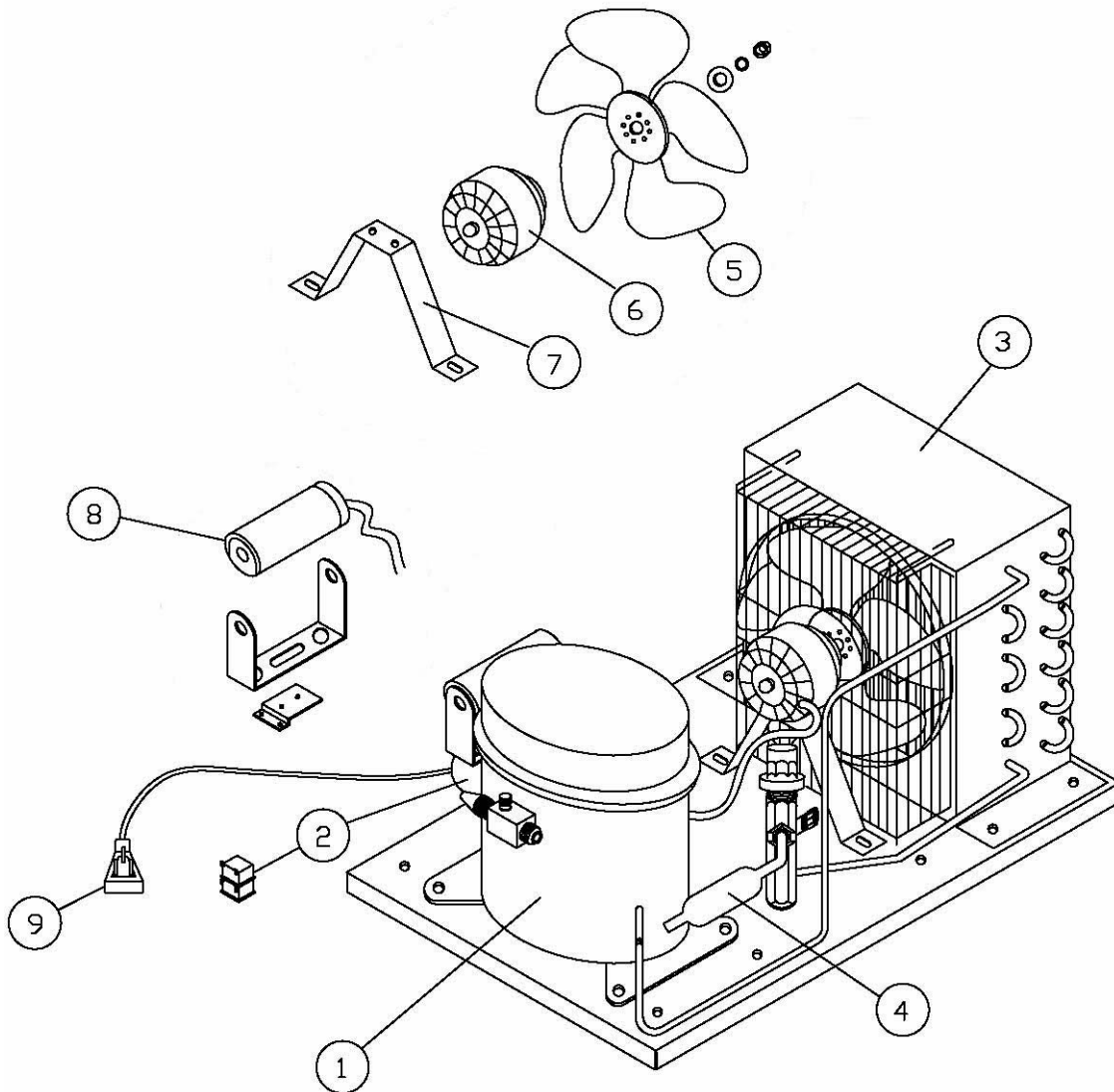


FIGURE 3

Item No.	Part No.	Name
1	1035237	Compressor 1/2HP 115V/60Hz
2	1035292	Relays
3	1042205	Condenser
4	1042204	Drier
5	1042195	Condenser Fan Blade

Item No.	Part No.	Name
6	1035279	Condenser Fan Motor
7	1042194	Condenser Fan Motor Bracket
8	1042193	Capacitor
9	1042192	Power Cord

COR48RFTMD

SWING DOOR ASSEMBLY AND ITS COMPONENTS

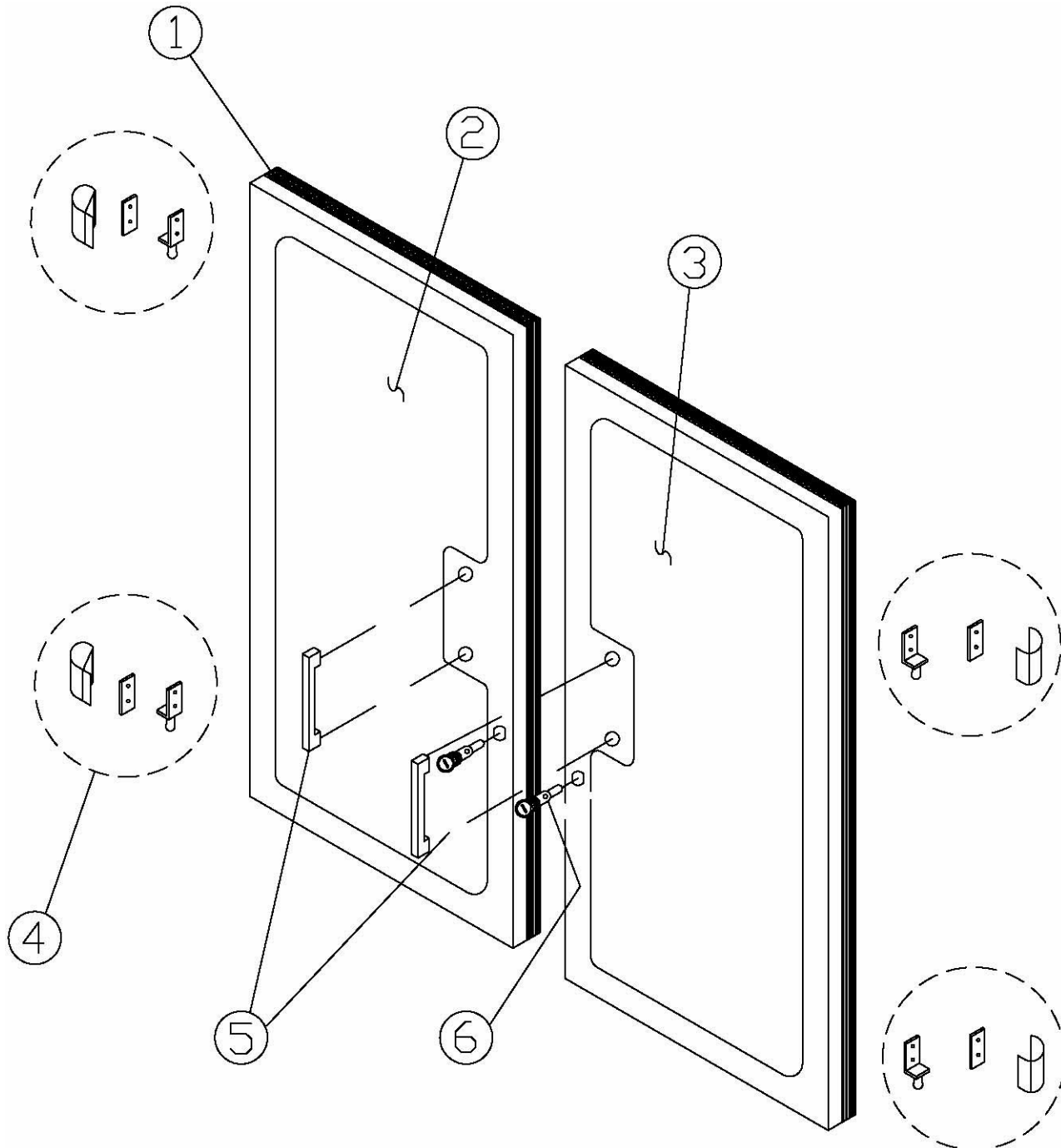


FIGURE 4

Item No.	Part No.	Name
1	1035270	Magnetic Gasket
2	1042191	Left Complete Door
3	1042190	Right Complete Door

Item No.	Part No.	Name
4	1035277	Door Hinge Assembly
5	1042189	Door Handle
6	1041350	Cylinder Locks

COR48RFTMD

INTERIOR LIGHTING SYSTEM ASSEMBLY AND ITS COMPONENTS

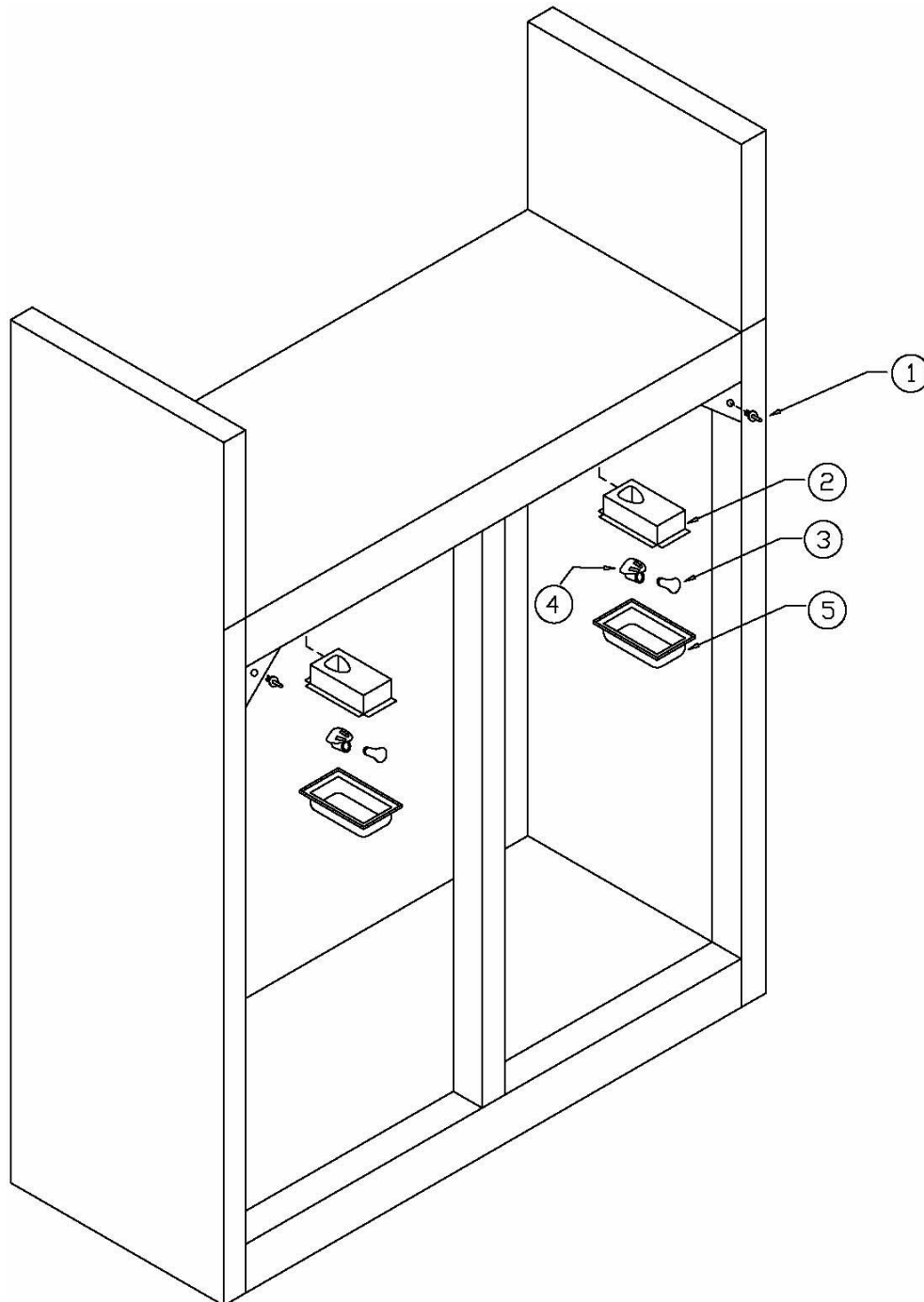


FIGURE 5

Item No.	Part No.	Name
1	1035302	Interior Light Switch
2	1042188	Bulb Bracket
3	1035209	Bulb 25 Watts

Item No.	Part No.	Name
4	1042187	Bulb Socket
5	1042186	Bulb Guard