



# ILLUSTRATED PARTS LIST VISUAL MERCHANDISER

## COR45VMSD EXPLODED VIEW

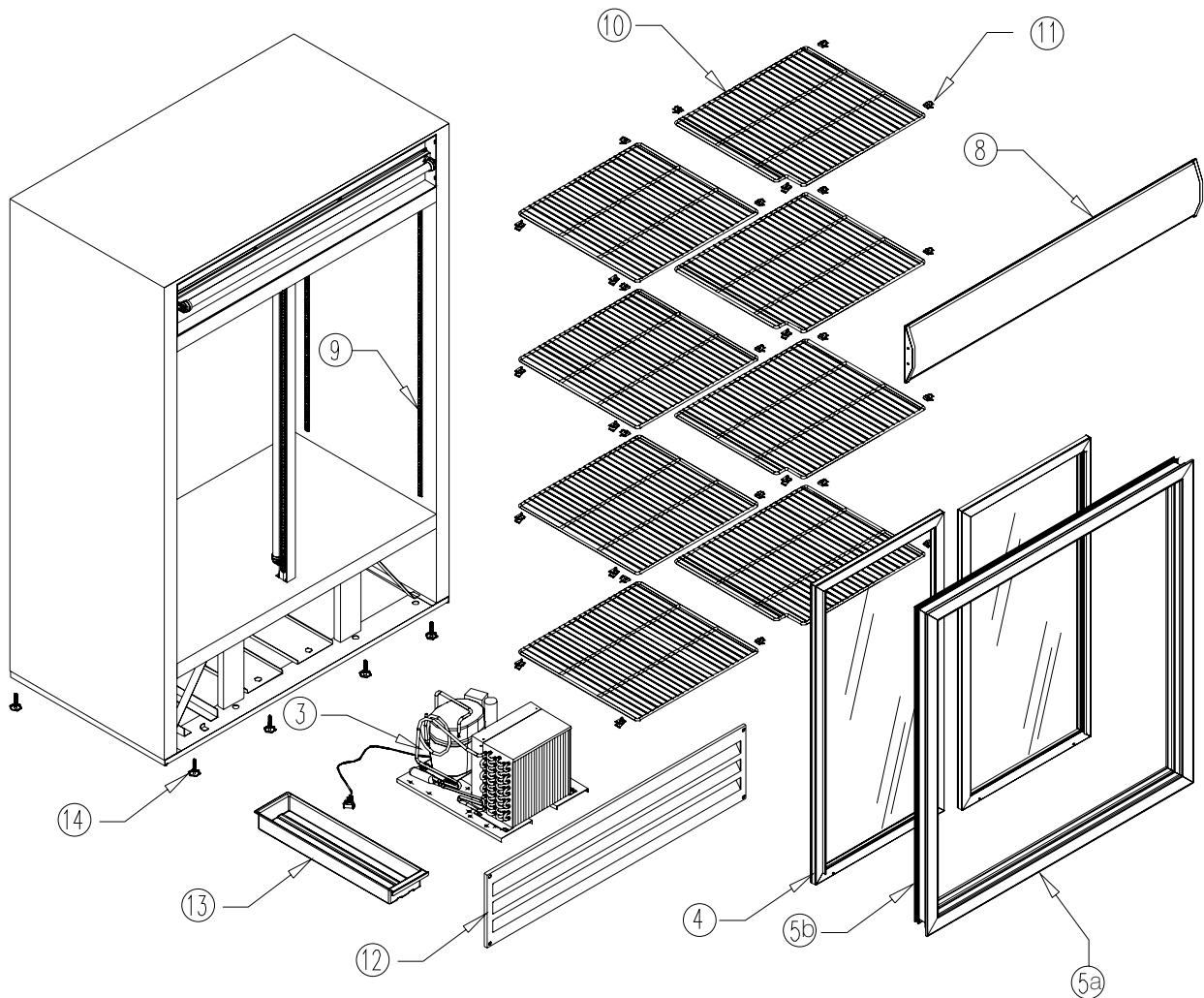


FIGURE 1

Item No.	Part No.	Name
3	FIGURE 3	Condensing unit 1/2 HP 115V/60Hz
4	FIGURE 4	Sliding door system
5a	1035051	Sliding door track Horiz
5b	1035044	Sliding door track Vert
6 & 7	FIGURE 5	Lighting components
8	1035019	Header sign
9	1034919	Pilaster 48"

Item No.	Part No.	Name
10	1035022	Right flat shelf
	1035023	Left flat shelf
11	1033450	Shelf clips
12	1035024	Front grill
13	1035039	Water pan
14	1033235	Leveling legs

# COR45VMSD

## REFRIGERATION SYSTEM

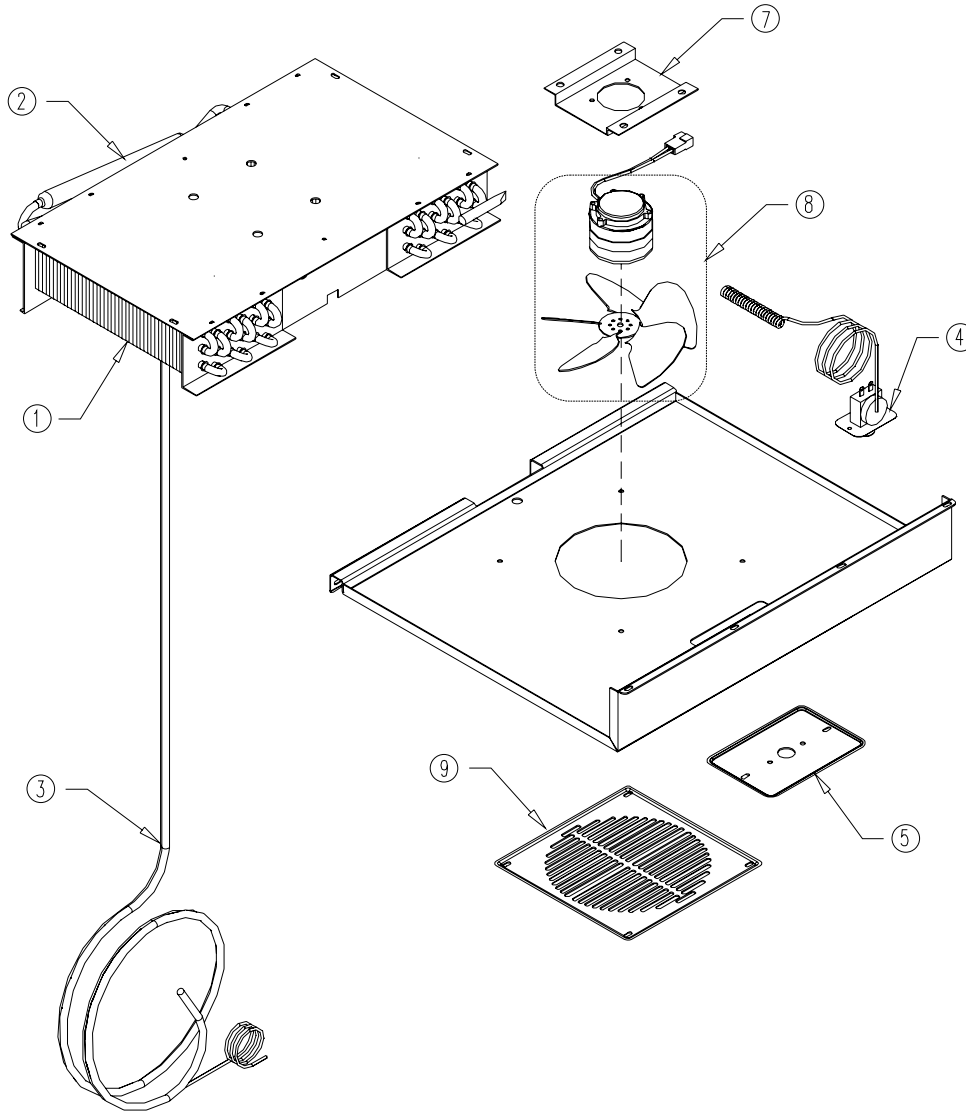


FIGURE 2

Item No.	Part No.	Name
1	1034923	Evaporator
2	1034924	Accumulator
3	1035392	Heat exchanger
4	1034925	Thermostat
5	1037654	Thermostat bracket

Item No.	Part No.	Name
7	1035042	Fan motor bracket
8	1034855	Fan motor and blade
9	1033247	Fan guard

# COR45VMSD

## CONDENSING UNIT ASSEMBLY AND ITS COMPONENTS

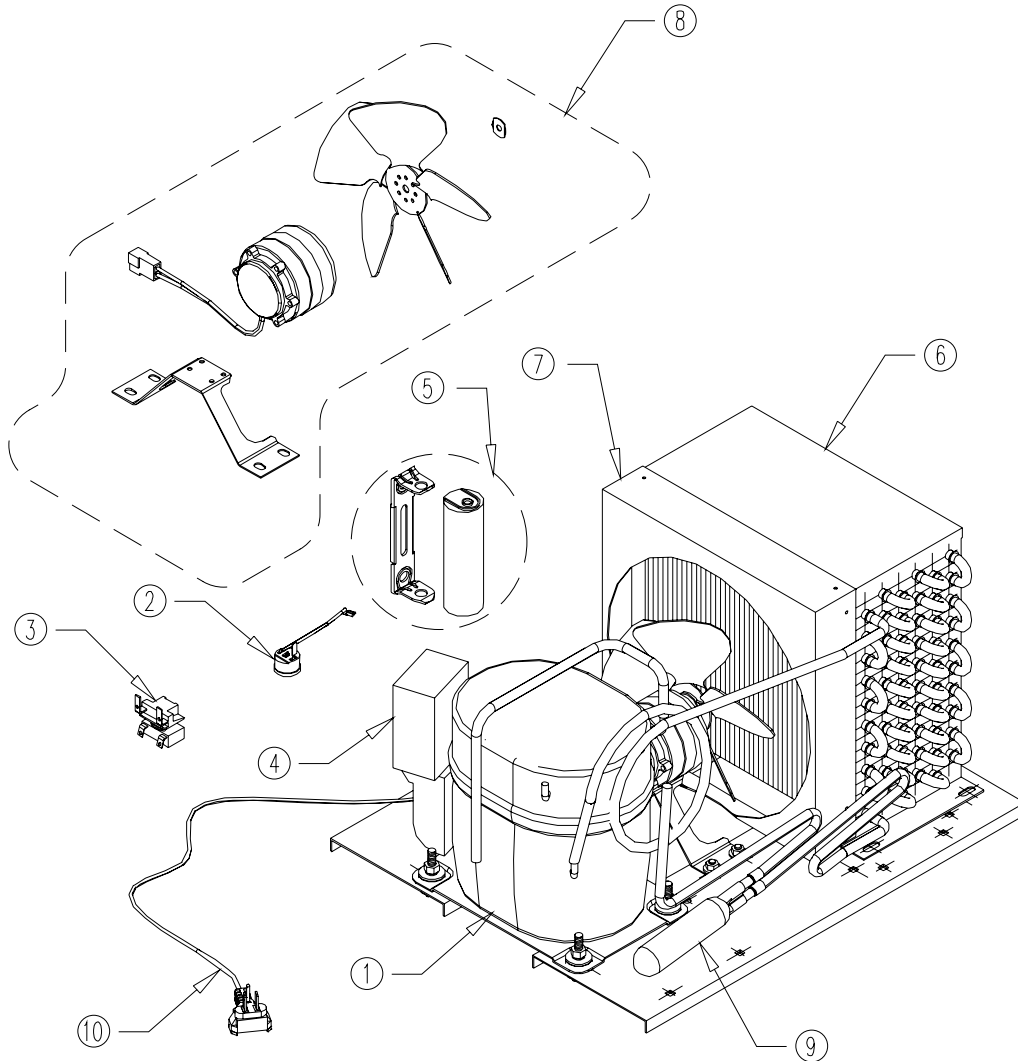


FIGURE 3

Item No.	Part No.	Name
1	1034926	Compressor 1/2 HP 115V/60H
2	1034927	Overload protector 9660-191
3	1034928	Relay 213516051
4	1034929	Electrical box
5	1034930	Start capacitor 189-227 $\mu$ F

Item No.	Part No.	Name
6	1034931	Condenser
7	1034932	Condenser shroud
8	1034933	Condenser fan motor and blade
9	1033253	Drier
10	1033255	Power cord

# COR45VMSD

## SLIDING DOORS ASSEMBLY AND ITS COMPONENTS

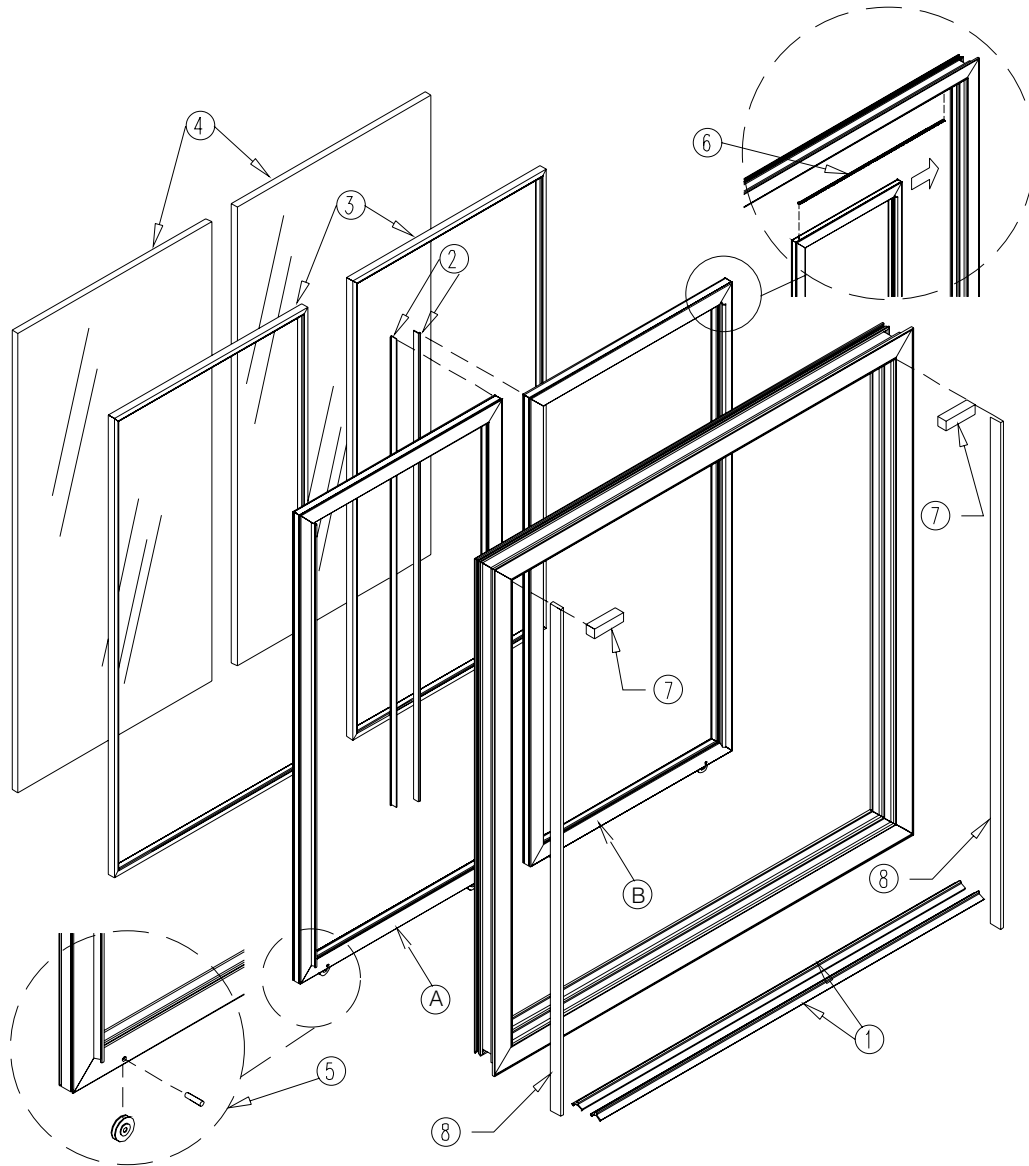


FIGURE 4

Item No.	Part No.	Name
A	1042081	Complete sliding door Left
B	1035018	Complete sliding door Right
1	1035053	Sliding door rail*
2	1035047	Sliding door seal
3	1035048	Sliding door gasket
4	1035009	Glass pane

Item No.	Part No.	Name
5	1035029	Sliding door roller
6	1035030	Sliding door spring
7	1035031	Sliding door bumper
8	1035049	Rubber gasket

\*Each cabinet uses two sliding door rails 47-3/4" long.

# COR45VMSD

## INTERIOR AND SIGN LIGHTING SYSTEM ASSEMBLY AND ITS COMPONENTS

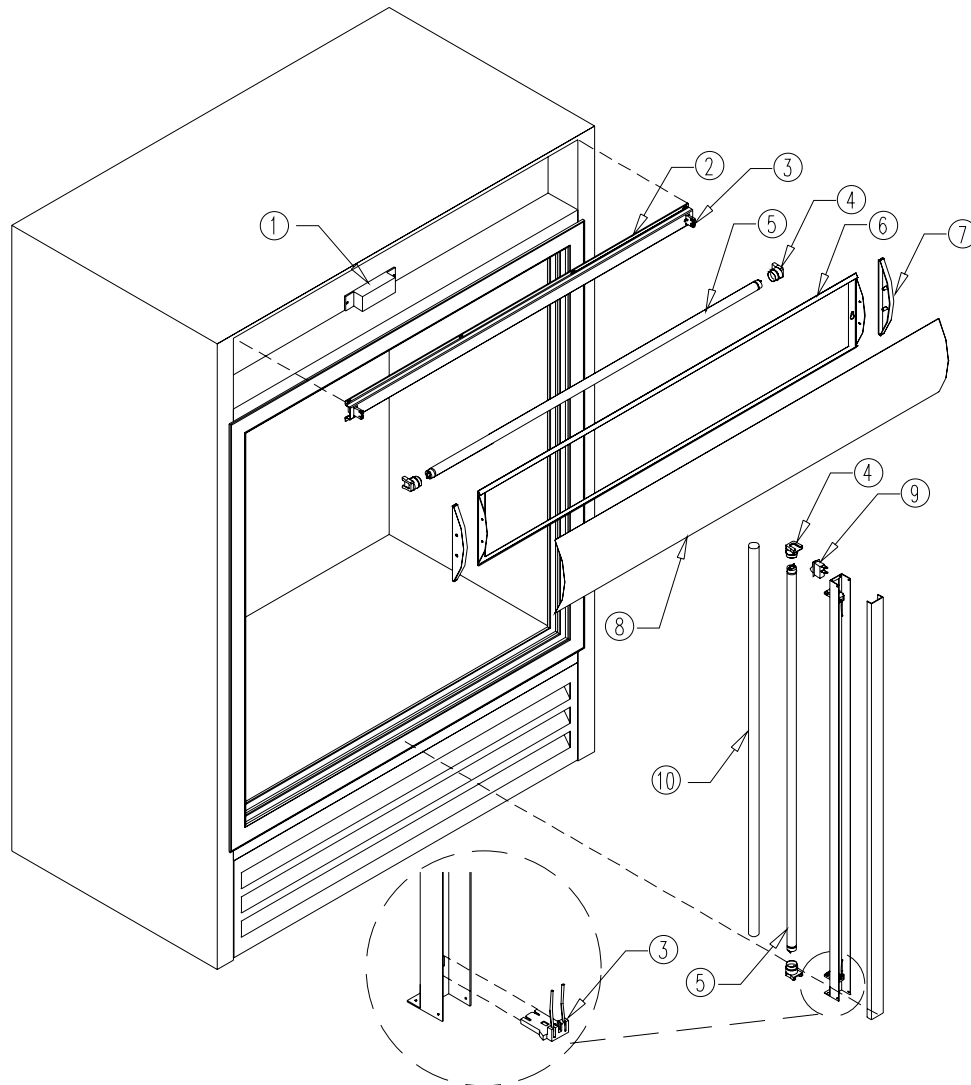


FIGURE 5

Item No.	Part No.	Name
1	1034893	Ballast QT2x32 T8/120
2	1034936	Lamp
3	1033256	Lampholder
4	1033257	Lampholder cap
5	1035400	Fluorescent tube T8 FO32/865/XP/ECO

Item No.	Part No.	Name
6	1035020	Sign frame
7	1034896	Plastic sign ends
8	1035021	Acrylic sign
9	1034886	Light switch
10	1034918	Light shield