

ILLUSTRATED PARTS LIST REACH-IN FREEZER

COR40RFTMD EXPLODED VIEW

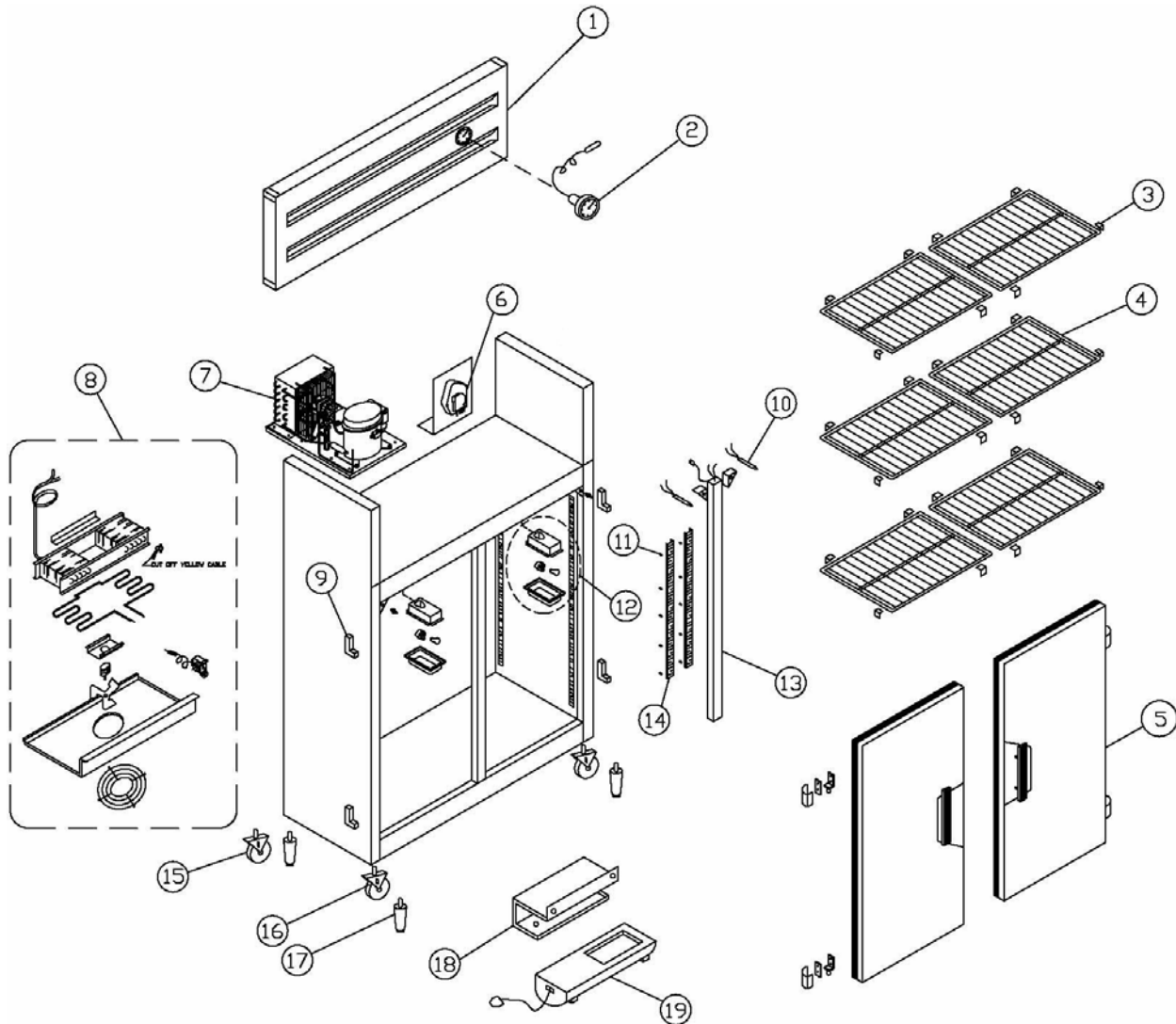


FIGURE 1

Item No.	Part No.	Name
1	1043169	Motor Cover Assembly
2	1035304	Thermometer
3	1035221	Shelf Clip
4	1035299	Flat Shelf
5	FIGURE 4	Swing Door System
6	1035223	Timer Clock
7	FIGURE 3	Complete Condensing Unit
8	FIGURE 2	Refrigeration System
9	1035277	Door Hinge

Item No.	Part No.	Name
10	1035302	Door Switch
11	1035210	Pilaster Buttons
12	FIGURE 5	Interior Lighting System
13	1043053	Mullion Assembly
14	1035289	Pilaster 36"
15	1035219	Casters without Brakes
16	1035220	Casters with Brake
17	1041348	Adjustable Legs (optional)
18	1043052	Evaporator Pan Bracket
19	1035287	Evaporator Pan



COR40RFTMD

REFRIGERATION SYSTEM

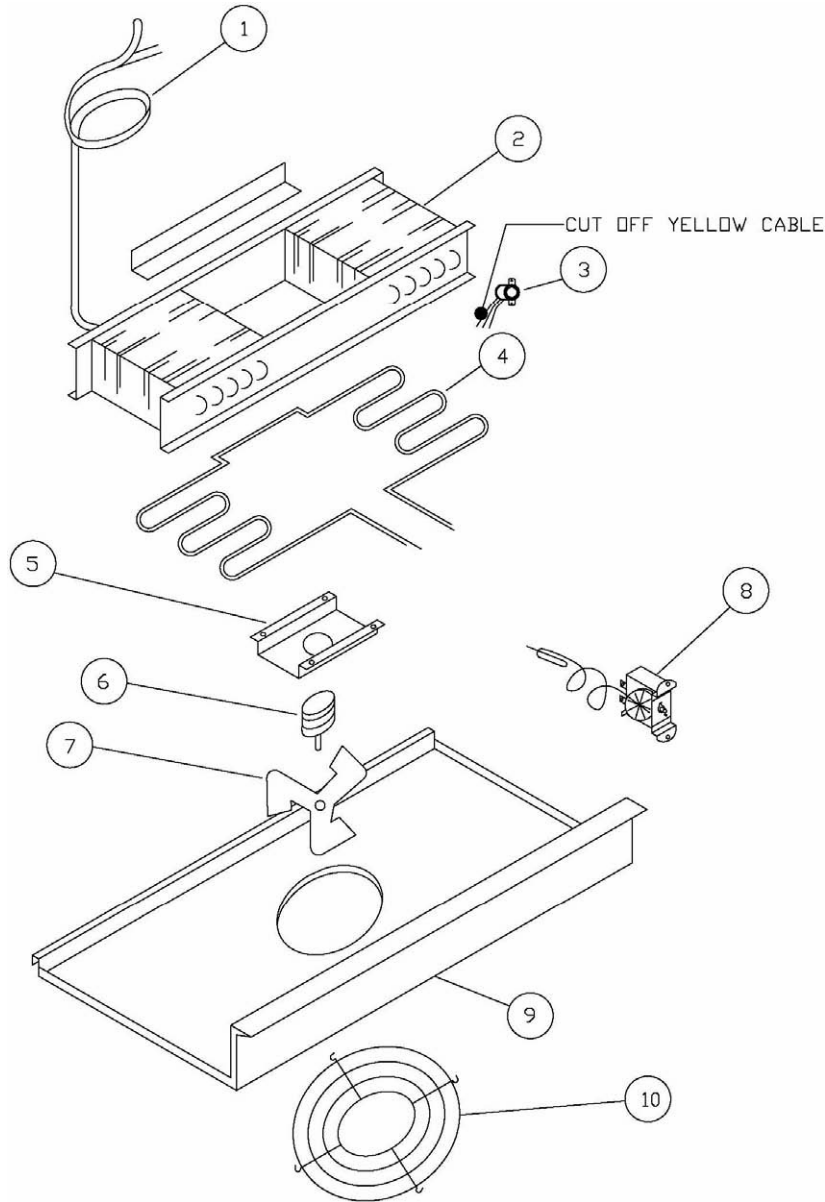


FIGURE 2

Item No.	Part No.	Name
1	1043051	Heater Exchanger
2	1035228	Evaporator
3	1035251	Thermodisk 3-wire
4	1034982	Defrost Rod Heater
5	1043050	Evaporator Fan Motor Bracket

Item No.	Part No.	Name
6	1035285	Evaporator Fan Motor
7	1035269	Evaporator Fan Blade
8	1035250	Thermostat
9	1043049	Baffle
10	1035274	Fan Guard

COR40RFTMD

CONDENSING UNIT ASSEMBLY AND ITS COMPONENTS

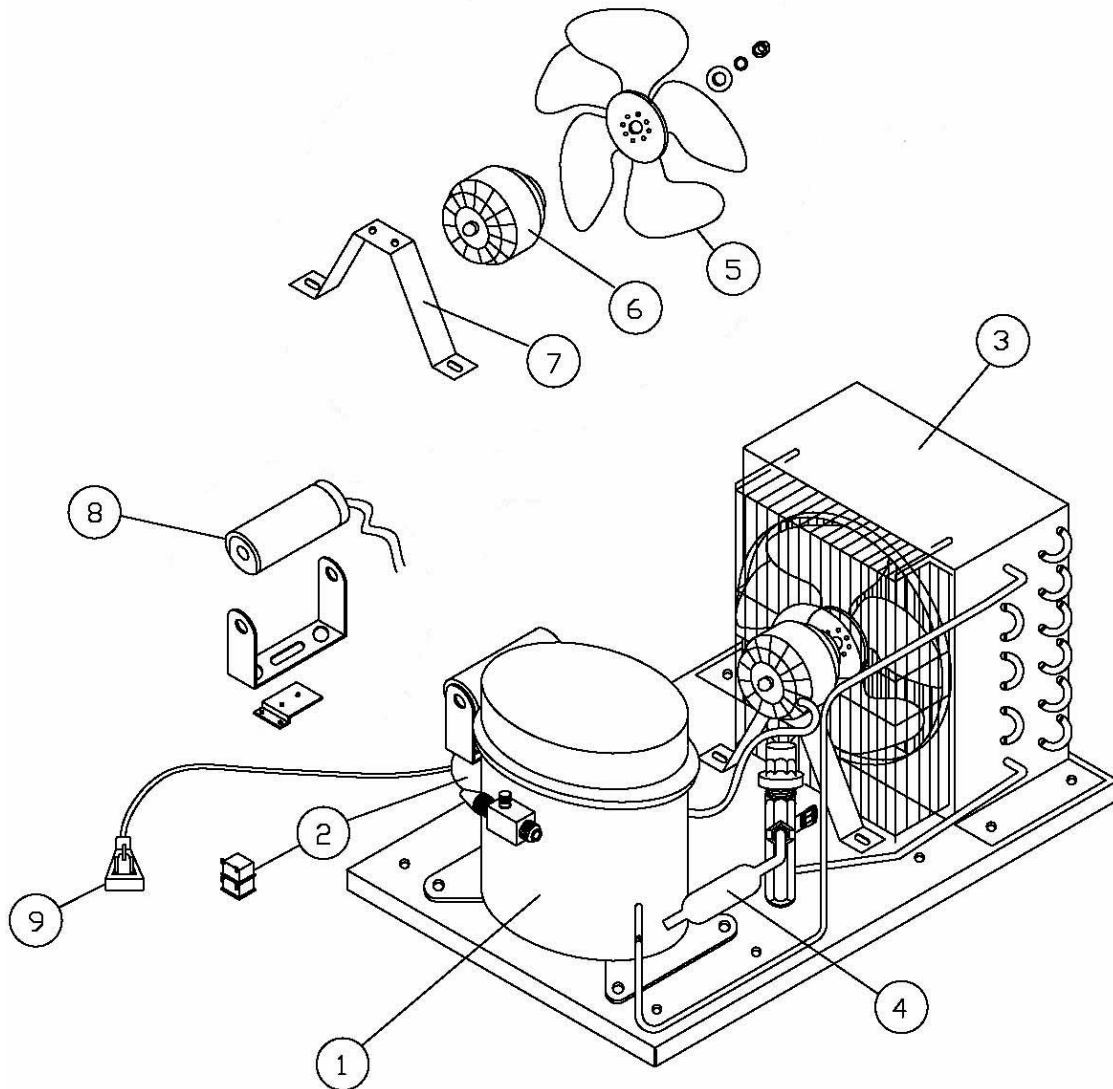


FIGURE 3

Item No.	Part No.	Name
1	1042206	Compressor 1/3HP 115V/60Hz
2	1035292	Relays
3	1043048	Condenser
4	1043047	Drier
5	1043046	Condenser Fan Blade

Item No.	Part No.	Name
6	1035279	Condenser Fan Motor
7	1043045	Condense Fan Motor bracket
8	1042193	Capacitor
9	1042192	Power Cord

COR40RFTMD

SWING DOOR ASSEMBLY AND ITS COMPONENTS

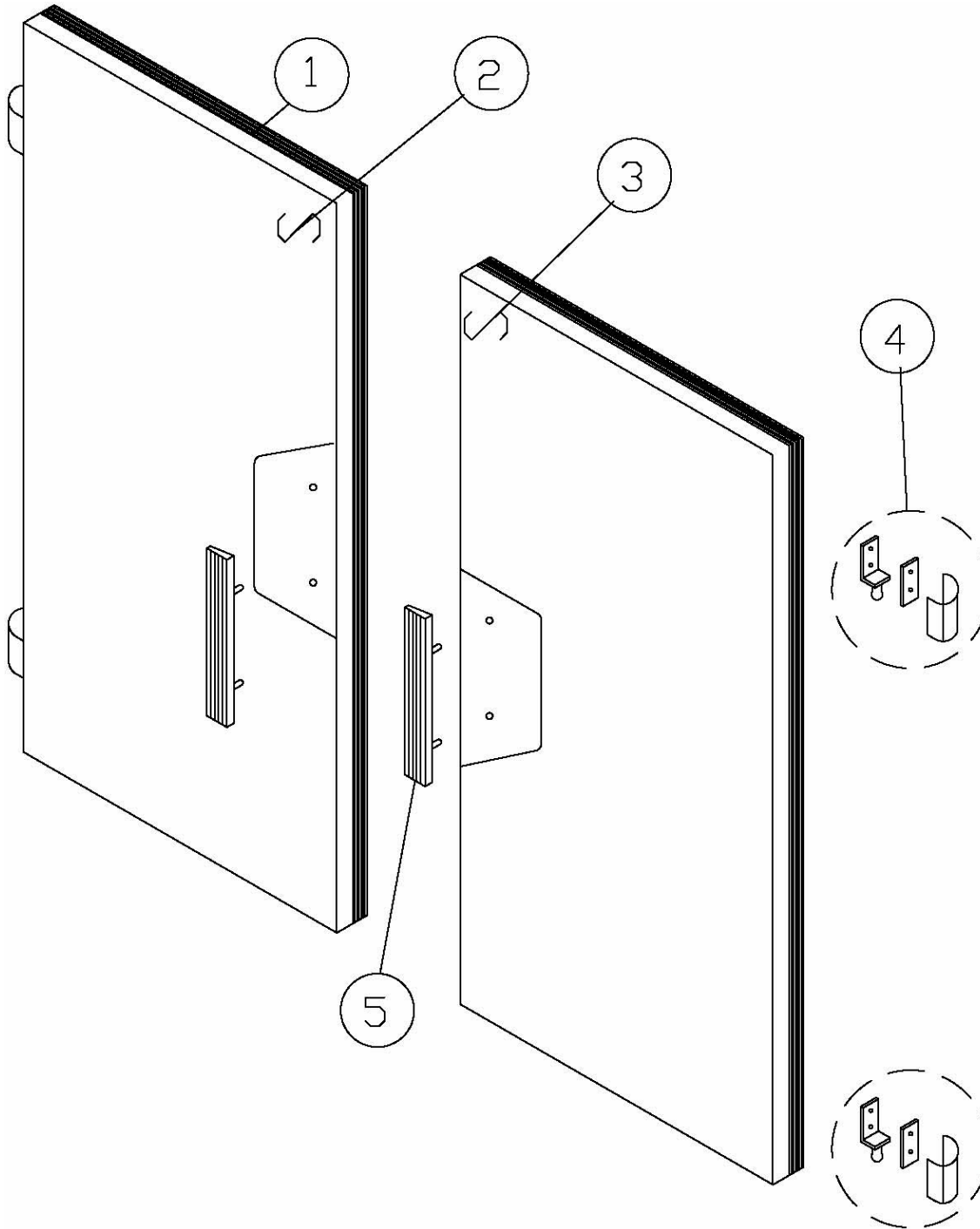


FIGURE 4

Item No.	Part No.	Name
1	1035271	Magnetic Gasket
2	1043044	Solid Door Left Hand
3	1043043	Solid Door Right Hand

Item No.	Part No.	Name
4	1035277	Door Hinge Assembly
5	1042189	Door Handle

COR40RFTMD

INTERIOR LIGHTING SYSTEM ASSEMBLY AND ITS COMPONENTS

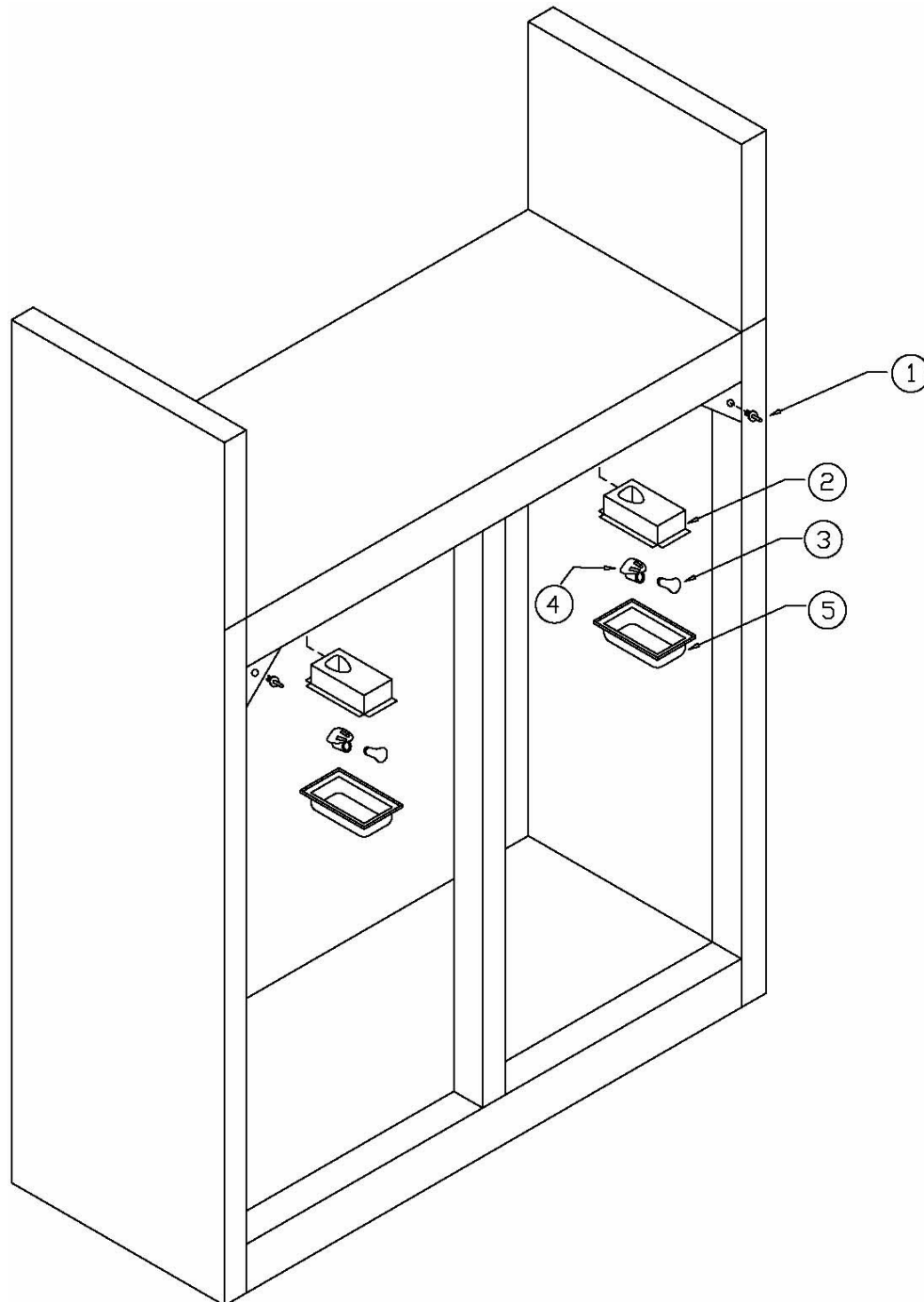


FIGURE 5

Item No.	Part No.	Name
1	1035302	Interior Light Switch
2	1043042	Bulb Bracket
3	1035209	Bulb 25 Watts

Item No.	Part No.	Name
4	1042187	Bulb Socket
5	1042186	Bulb Guard