



ILLUSTRATED PARTS LIST REACH-IN FREEZER

COR23RFBM EXPLODED VIEW

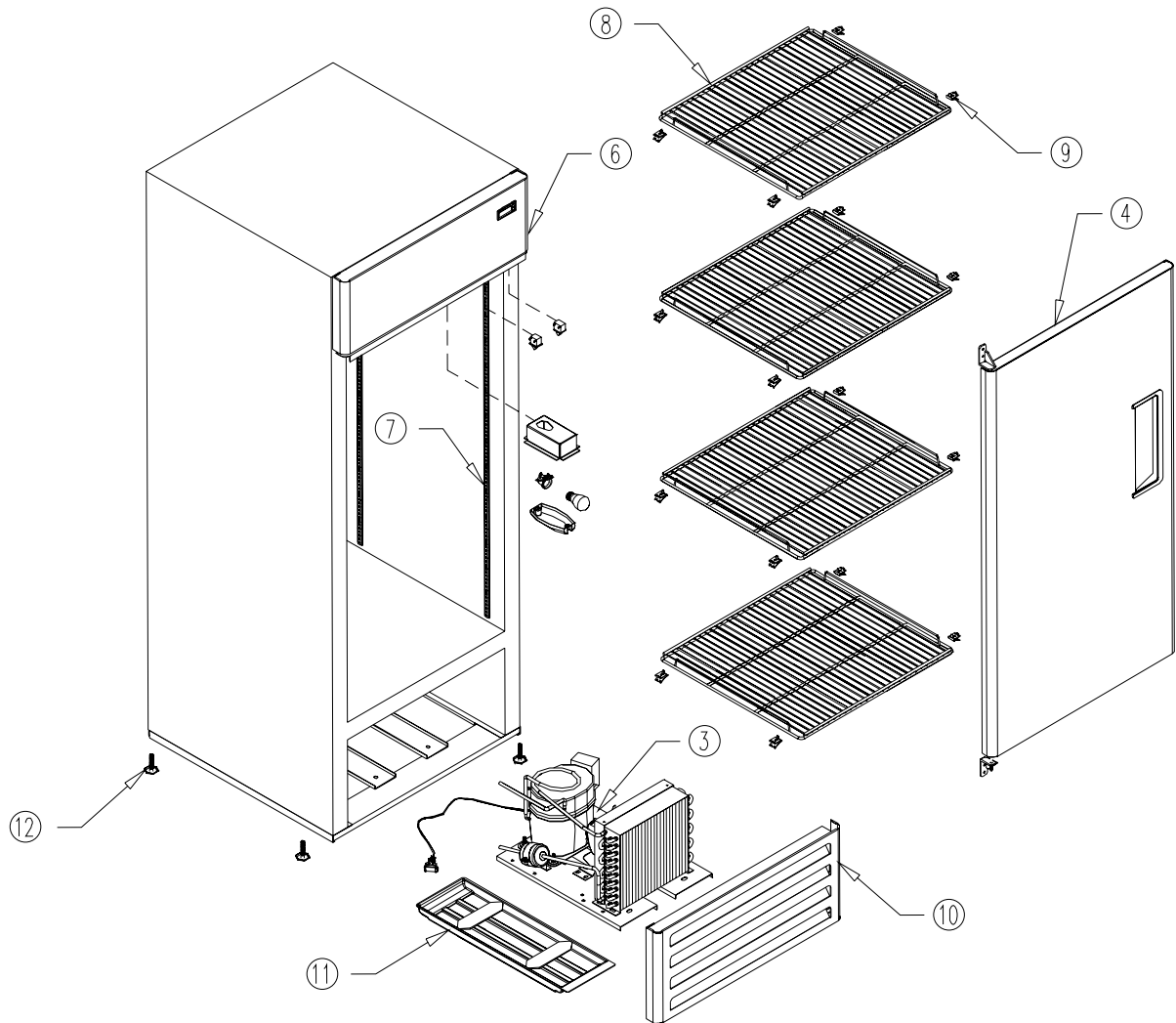


FIGURE 1

Item No.	Part No.	Name
3	FIGURE 3	Condensing unit 1/2 HP 115V/60Hz
4	1034991	Swing door system
6	1034976	Front panel
7	1034919	Pilaster 48"

Item No.	Part No.	Name
8	1034994	Flat shelf
9	1033450	Shelf clips
10	1034978	Front grill
11	1034942	Water pan
12	1033235	Leveling legs

COR23RFBM

REFRIGERATION SYSTEM

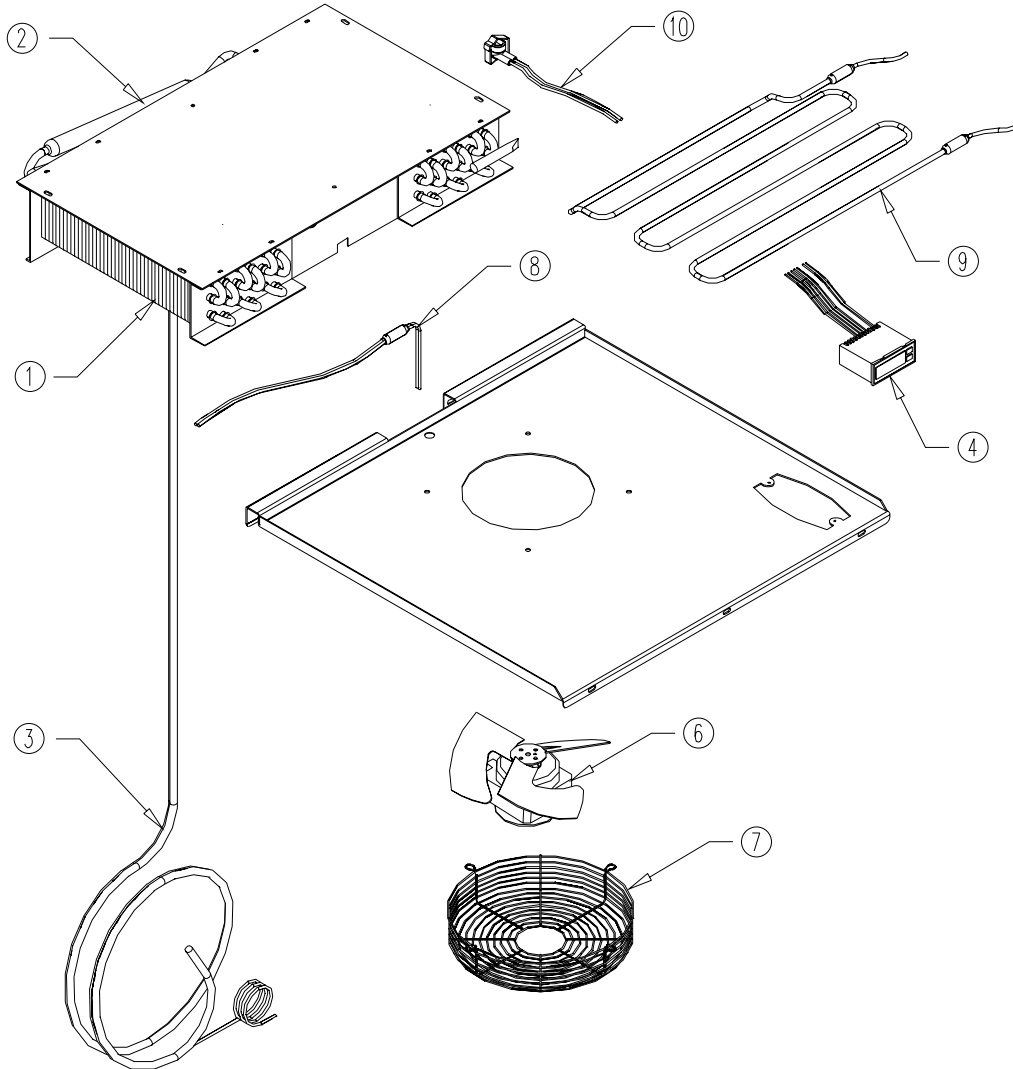


FIGURE 2

Item No.	Part No.	Name
1	1034923	Evaporator
2	1033243	Accumulator
3	1037653	Heat exchanger
4	1034979	Electronic thermostat
6	1034980	Fan motor and blade

Item No.	Part No.	Name
7	1035396	Fan guard
8	1034981	Drainage defrost heater 115 V/12 Watts
9	1034982	Defrost rod heater
10	1034983	Thermodisk



COR23RFBM

CONDENSING UNIT ASSEMBLY AND ITS COMPONENTS

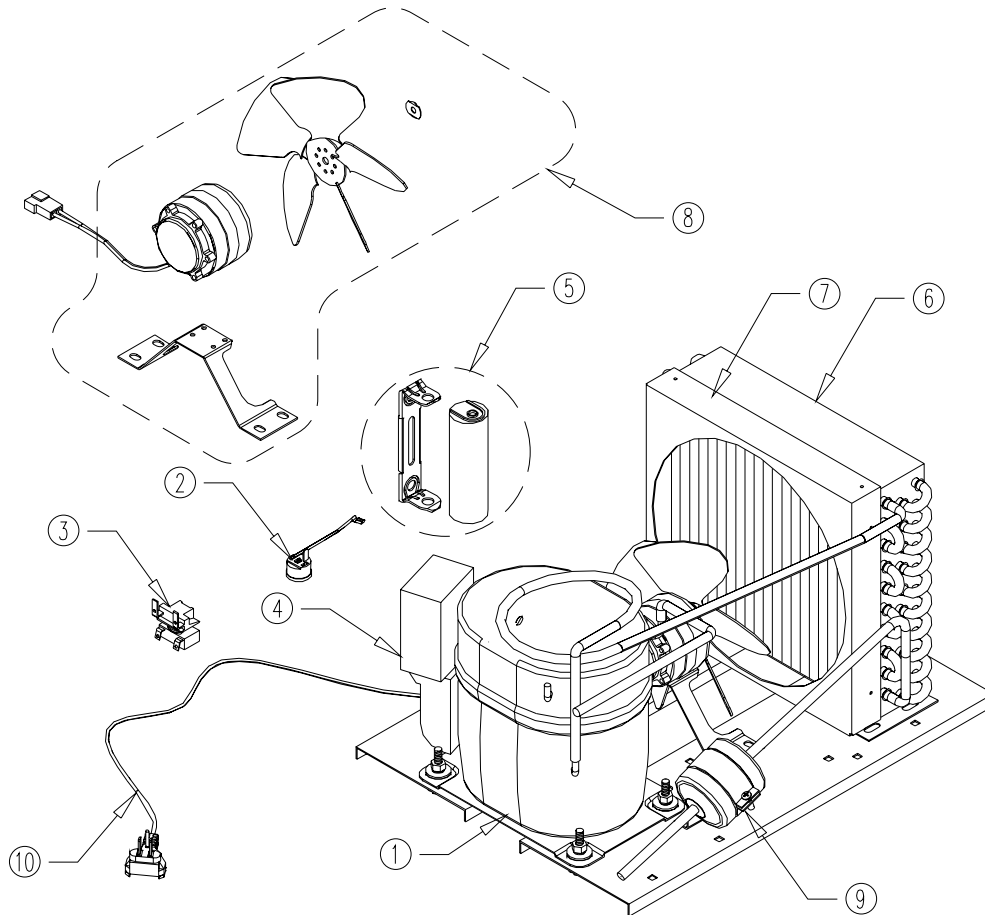


FIGURE 3

Item No.	Part No.	Name
		Complete unit 1/2 HP 115V/60Hz
1	1034984	Compressor 1/2 HP 115V/60H
2	1034985	Overload protector T0736/20
3	1034986	Relay MTRPH-0016
4	1034987	Electrical box

Item No.	Part No.	Name
5	1034988	Start capacitor 189-227 μ F
6	1034911	Condenser
7	1034883	Condenser shroud
8	1034855	Condenser fan motor and blade
9	1034989	Drier
10	1033255	Power cord

COR23RFBM

SWING DOOR ASSEMBLY AND ITS COMPONENTS

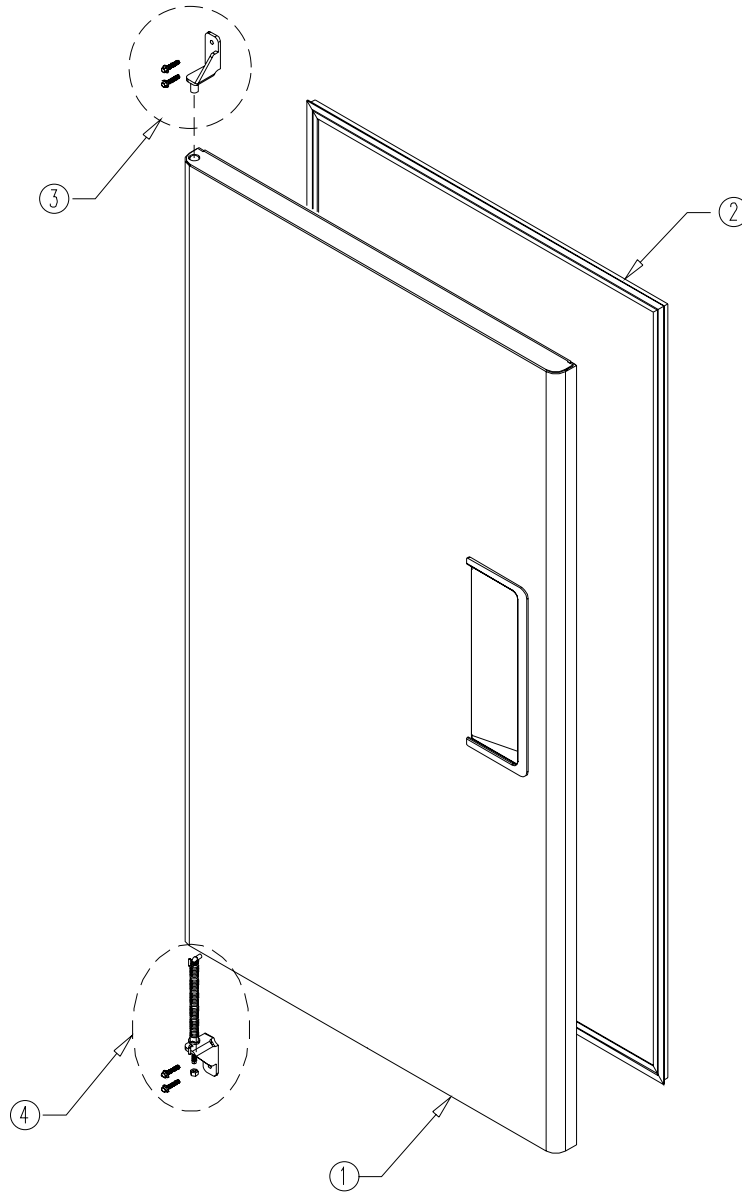


FIGURE 4

Item No.	Part No.	Name
	1034991	Complete door
1	1034967	Swing door
2	1034968	Magnetic gasket

Item No.	Part No.	Name
3	1034992	Upper hinge assembly
4	1034993	Lower hinge assembly

COR23RFBM

INTERIOR LIGHTING SYSTEM ASSEMBLY AND ITS COMPONENTS

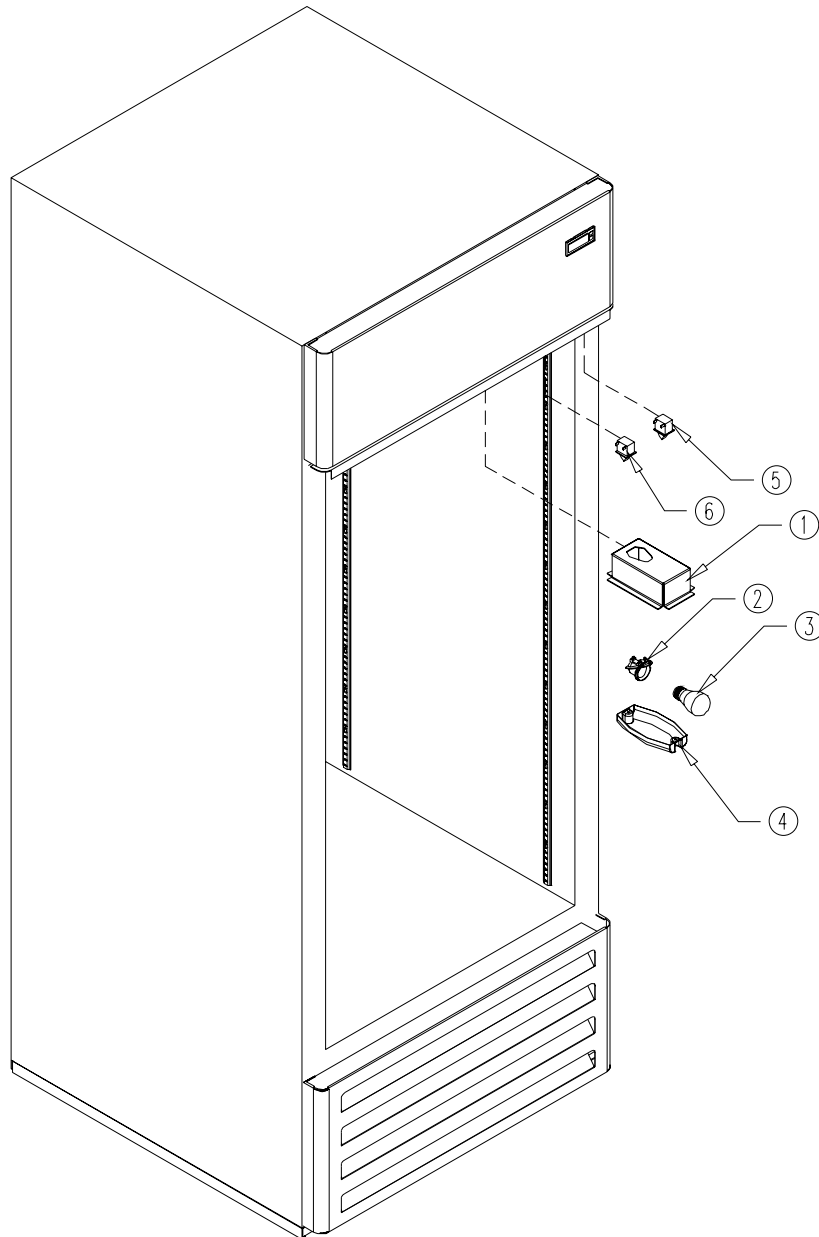


FIGURE 5

Item No.	Part No.	Name
1	1034971	Bulb bracket
2	1034972	Bulb socket
3	1035398	Bulb 25 watts

Item No.	Part No.	Name
4	1034973	Bulb guard
5	1034974	Evaporator fan motor switch
6	1034975	Interior light switch