



ILLUSTRATED PARTS LIST REACH-IN REFRIGERATOR

COR22RRTM EXPLODED VIEW

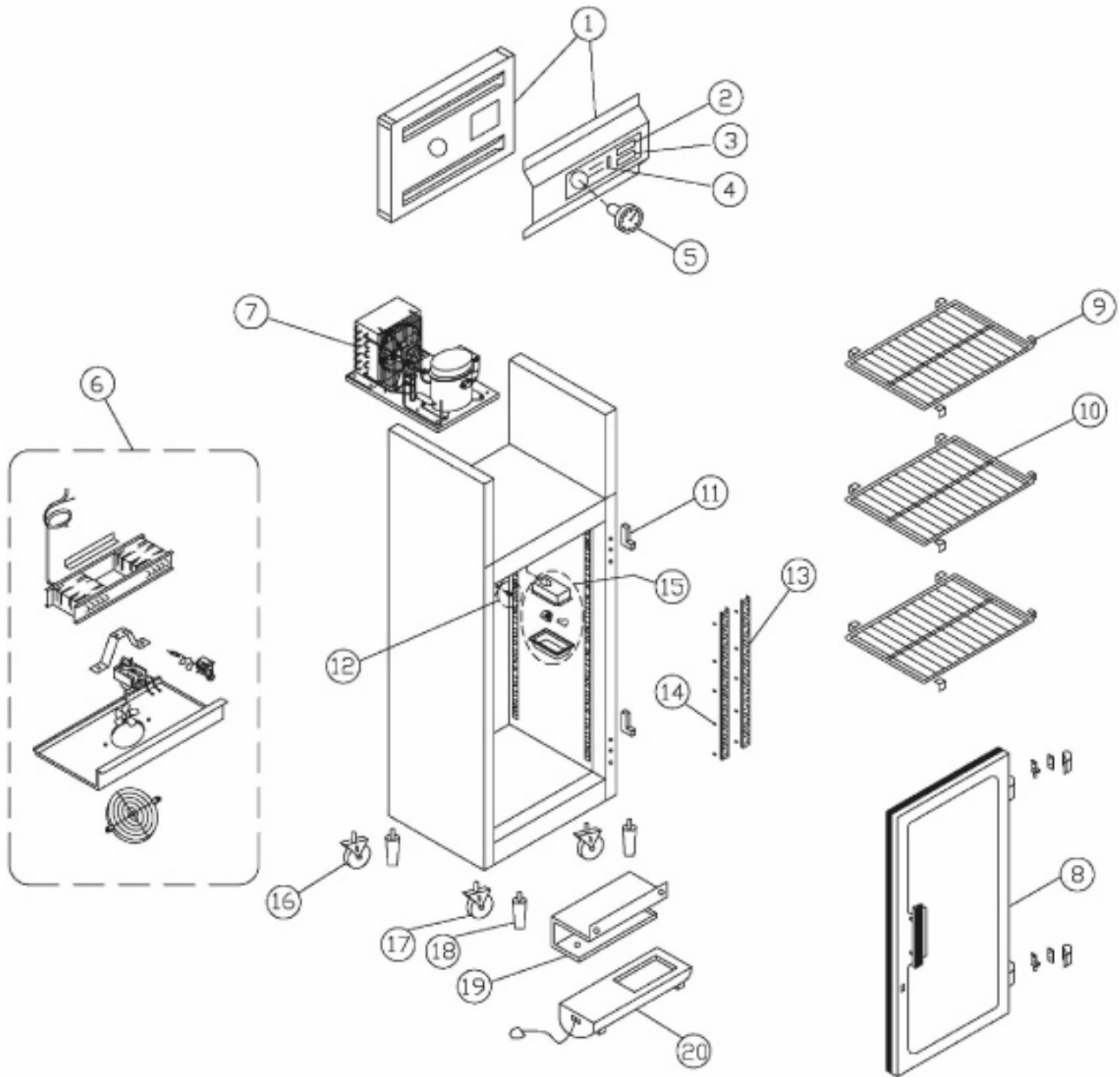


FIGURE 1



COR2RRTM

EXPLODED VIEW

Item No.	Part No.	Name
1	1043504	Motor cover assembly
2	1035303	Green power switch
3	1035301	Red door ajar switch
4	1035300	Condenser eliminator switch
5	1035304	Thermometer
6	See FIGURE 2	Refrigeration system
7	See FIGURE 3	Complete condensing unit 115V/60Hz
8	See FIGURE 4	Swing door system
9	1035221	Shelf clip

Item No.	Part No.	Name
10	1035298	Flat shelf
11	1035277	Door hinge
12	1035302	Door switch
13	1035288	Pilaster 48"
15	1035210	Pilaster buttons
15	See FIGURE 5	Interior lighting system
16	1035219	Casters with out brakes
17	1035220	Casters with brakes
18	1041348	Adjustable legs (optional)
19	1043502	Evaporator pan bracket
20	1035287	Evaporator pan



COR22RRTM

REFRIGERATION SYSTEM

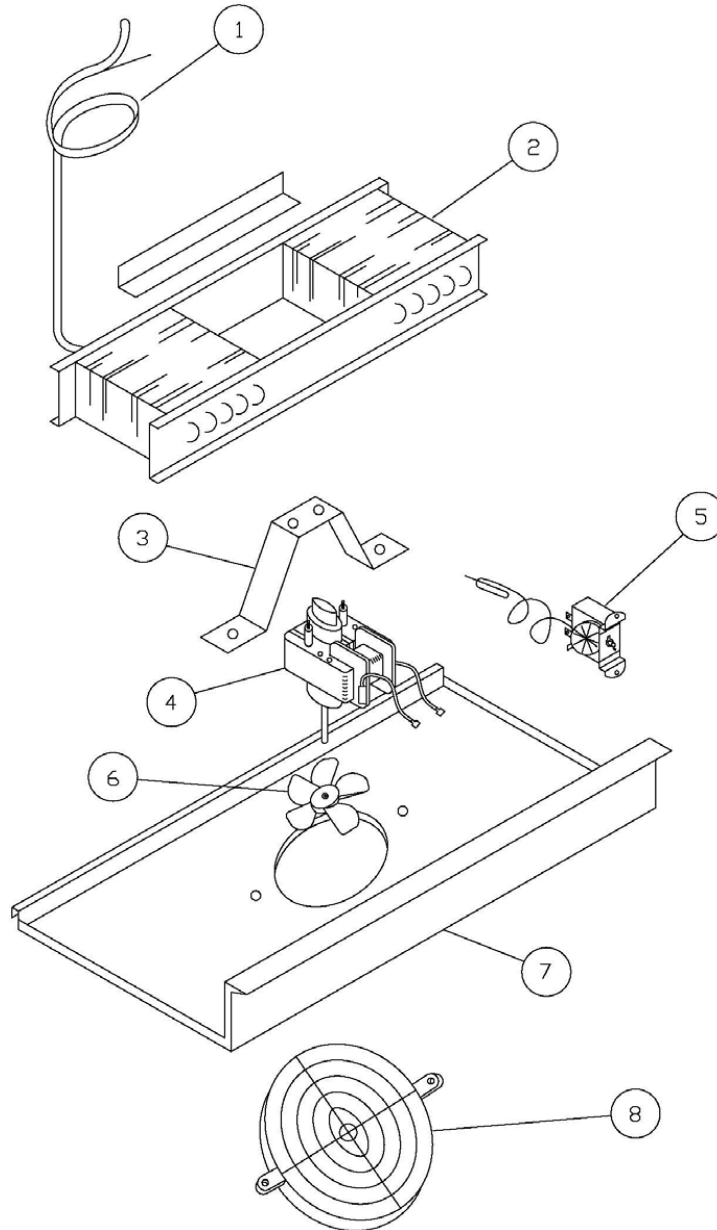


FIGURE 2

Item No.	Part No.	Name
1	1043501	Heat exchanger
2	1035231	Evaporator
3	1043500	Evaporator fan motor bracket
4	1035283	Evaporator fan motor

Item No.	Part No.	Name
5	1035249	Thermostat
6	1035266	Evaporator fan blade
7	1043499	Baffle
8	1035275	Fan guard

COR2RRTM

CONDENSING UNIT ASSEMBLY AND ITS COMPONENTS

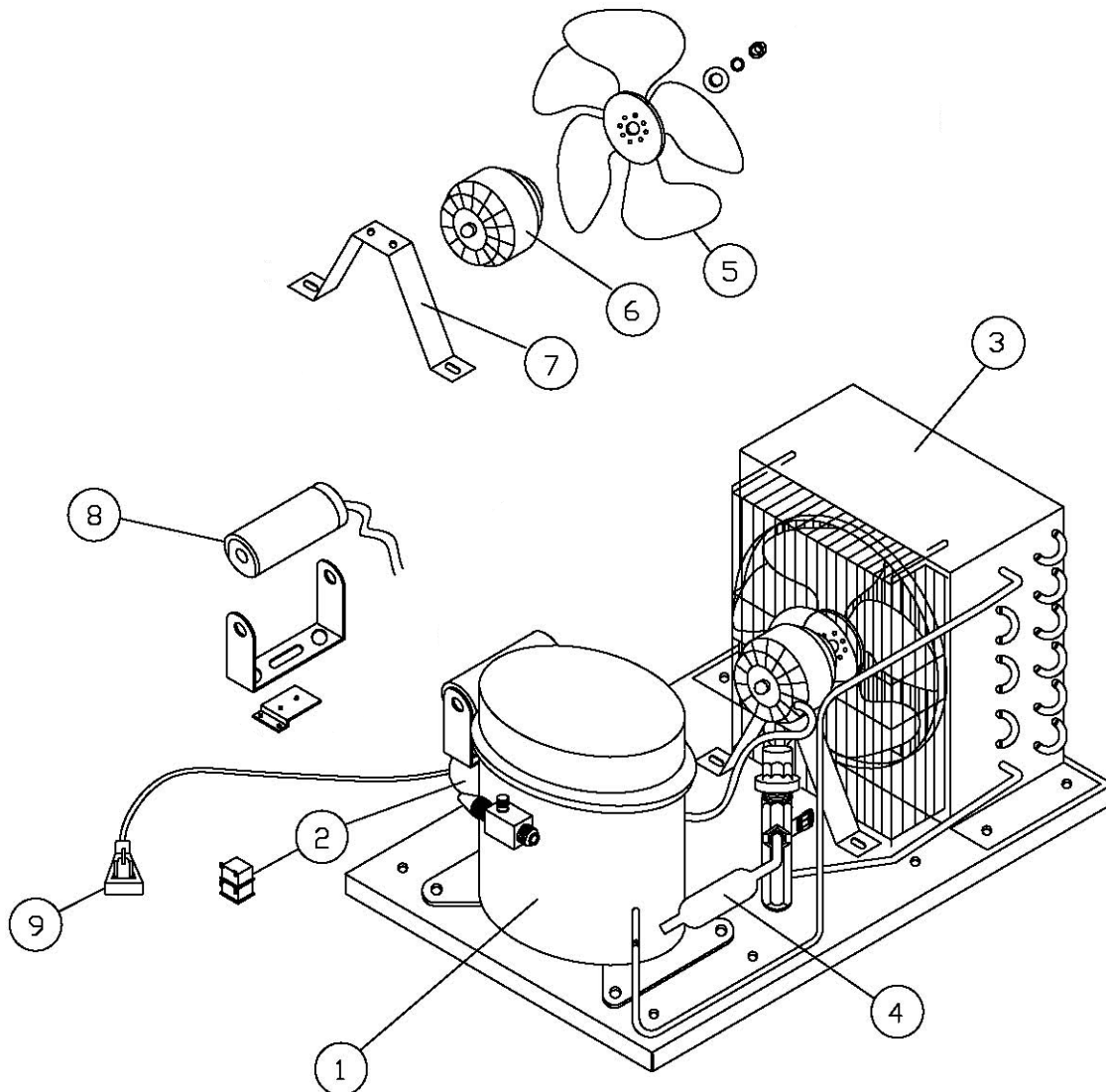


FIGURE 3

Item No.	Part No.	Name
	1043498	Complete condensing unit 1/3HP 115V/60Hz
1	1035235	Compressor 1/3 HP 115V/60Hz
2	1035290	Relays
3	1043497	Condenser
4	1043301	Drier

Item No.	Part No.	Name
5	1043032	Condenser fan blade
6	1035281	Condenser fan motor
7	1043031	Condenser fan motor bracket
8	1035212	Capacitor
9	1042192	Power cord

COR22RRTM

SWING DOOR ASSEMBLY AND ITS COMPONENTS

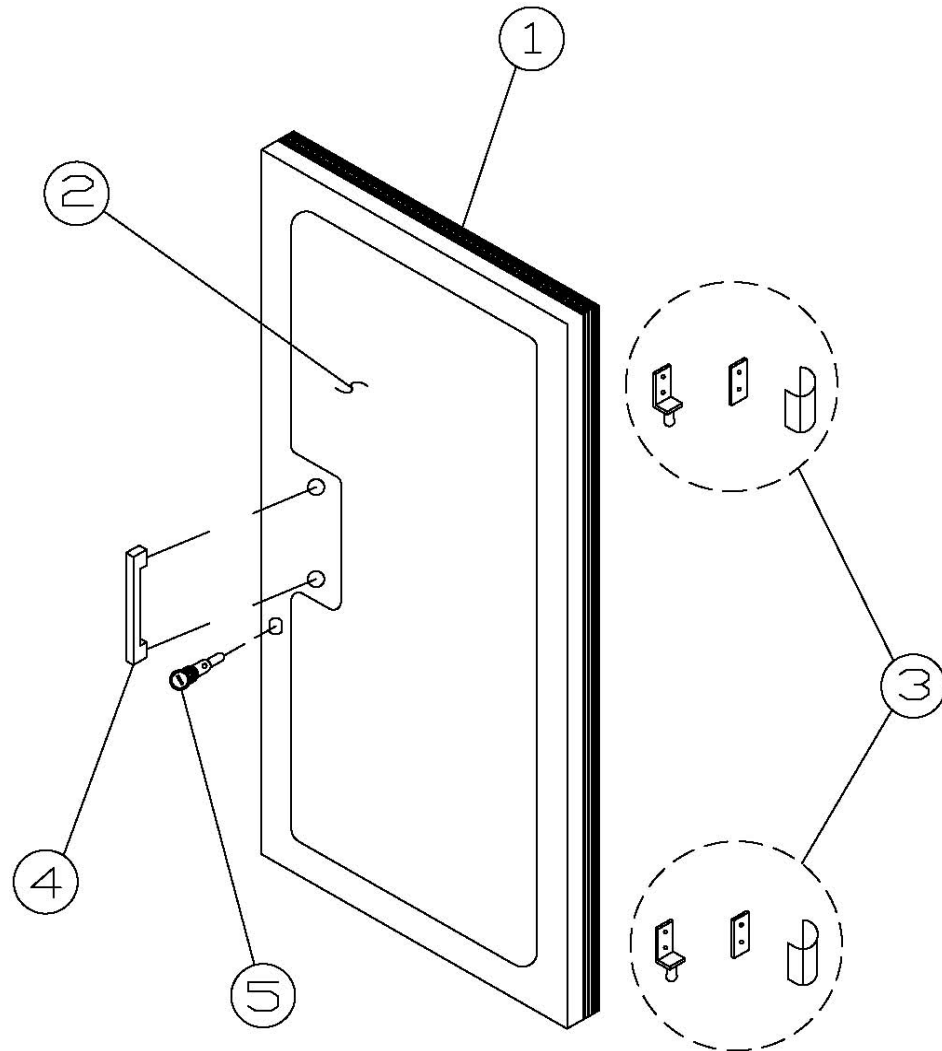


FIGURE 4

Item No.	Part No.	Name
1	1035270	Magnetic gasket
2	1043496	Complete door
3	1035277	Door hinge assembly

Item No.	Part No.	Name
4	1042189	Door handle
5	1041350	Cylinder locks

COR2RRTM

INTERIOR LIGHTING SYSTEM AND ITS COMPONENTS

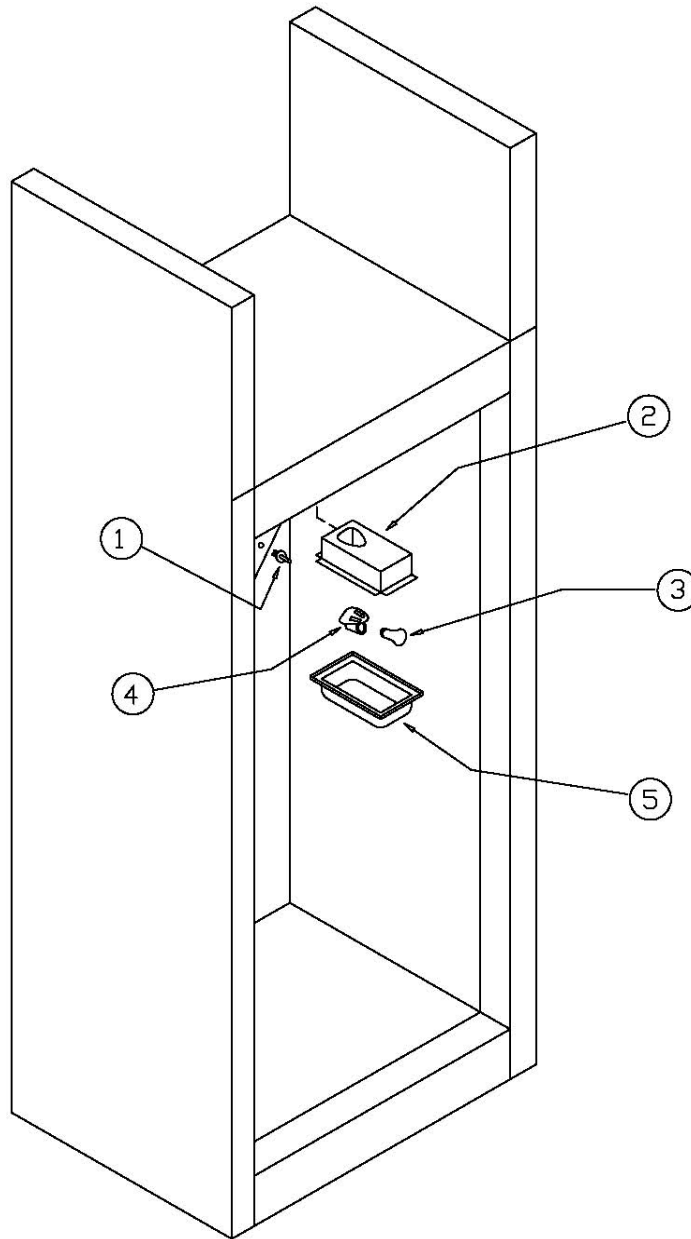


FIGURE 5

Item No.	Part No.	Name
1	1035302	Interior light switch
2	1043495	Bulb bracket
3	1035209	Bulb 40 Watts

Item No.	Part No.	Name
4	1042187	Bulb socket
5	1042186	Bulb guard