



ILLUSTRATED PARTS LIST REACH-IN FREEZER

COR20RFTM EXPLODED VIEW

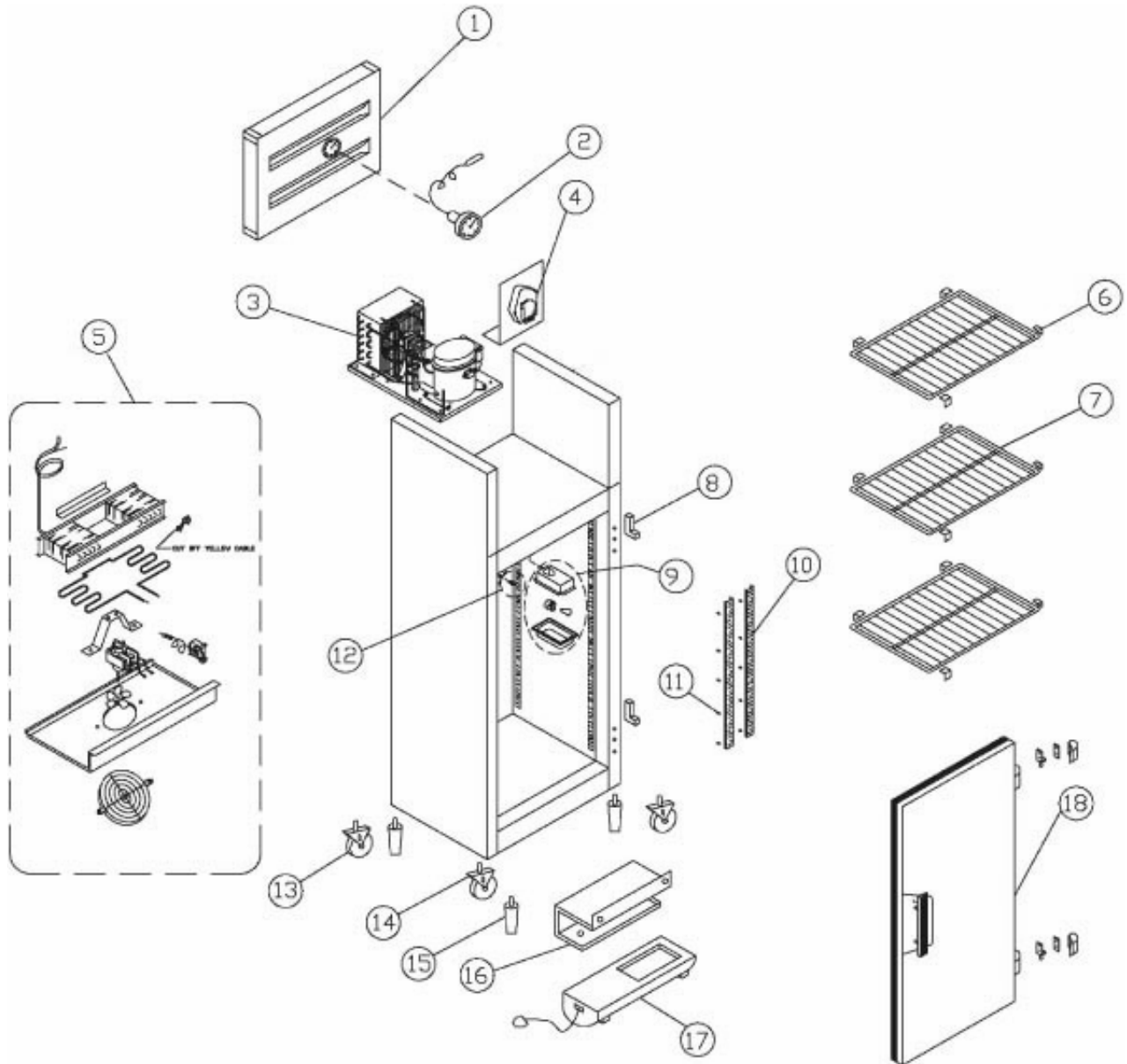


FIGURE 1



COR20RFTM

EXPLODED VIEW

Item No.	Part No.	Name
1	1043309	Motor cover assembly
2	1035304	Thermometer
3	See FIGURE 3	Complete condensing unit 115V/60Hz
4	1035223	Timer clock
5	See FIGURE 2	Refrigeration system
6	1035221	Shelf clip
7	1035296	Flat shelf
8	1035277	Door hinge
9	See FIGURE 5	Interior lighting system

Item No.	Part No.	Name
10	1035289	Pilaster 36"
11	1035210	Pilaster buttons
12	1035302	Door switch
13	1035219	Casters with out brakes
14	1035220	Casters with brakes
15	1041348	Adjustable legs (optional)
16	1043308	Evaporator pan bracket
17	1035287	Evaporator pan
18	See FIGURE 4	Swing door system

COR20RFTM

REFRIGERATION SYSTEM

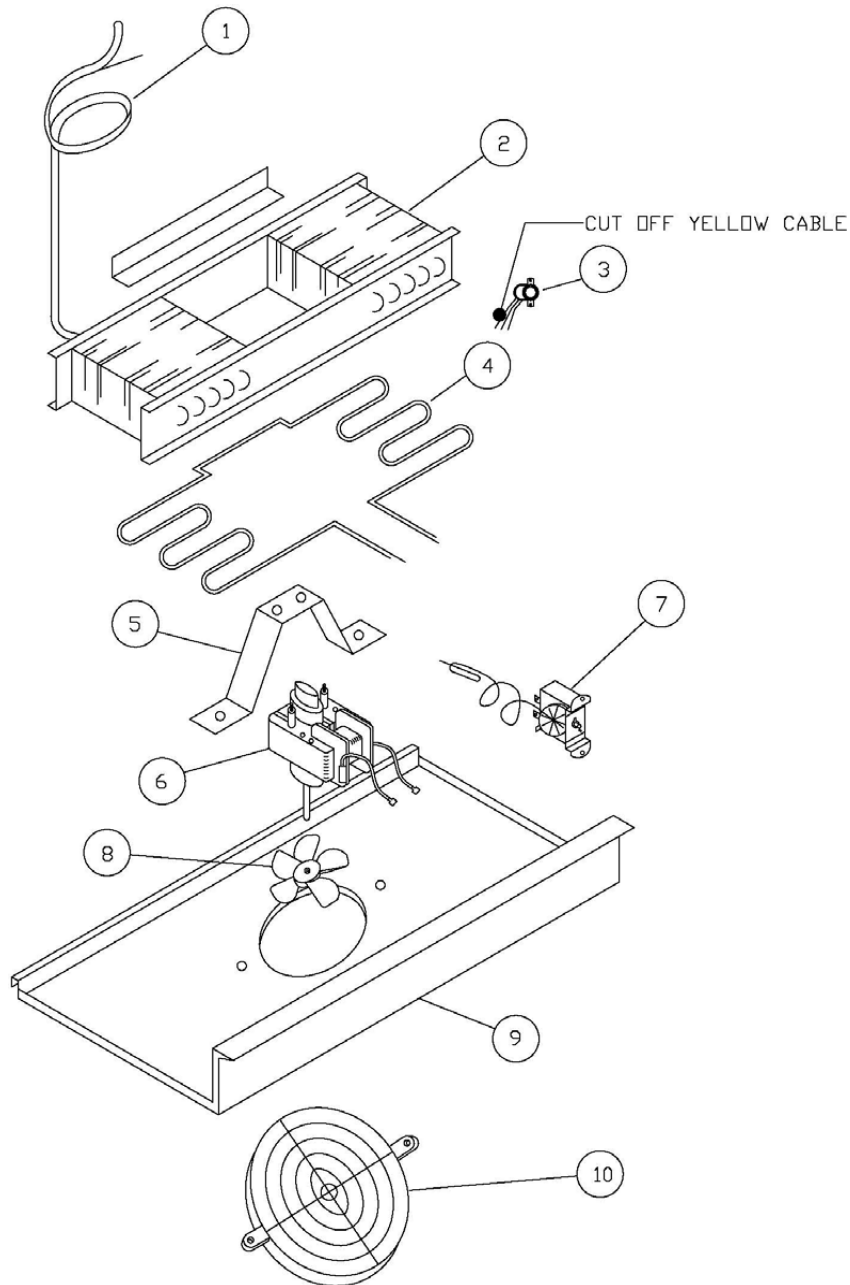


FIGURE 2

Item No.	Part No.	Name
1	1043307	Heat exchanger
2	1035228	Evaporator
3	1035251	Thermodisk
4	1034982	Defrost rod heater
5	1043306	Evaporator fan motor bracket

Item No.	Part No.	Name
6	1035283	Evaporator fan motor
7	1035250	Thermostat
8	1035266	Evaporator fan blade
9	1043305	Baffle
10	1035274	Fan guard

COR20RFTM

CONDENSING UNIT ASSEMBLY AND ITS COMPONENTS

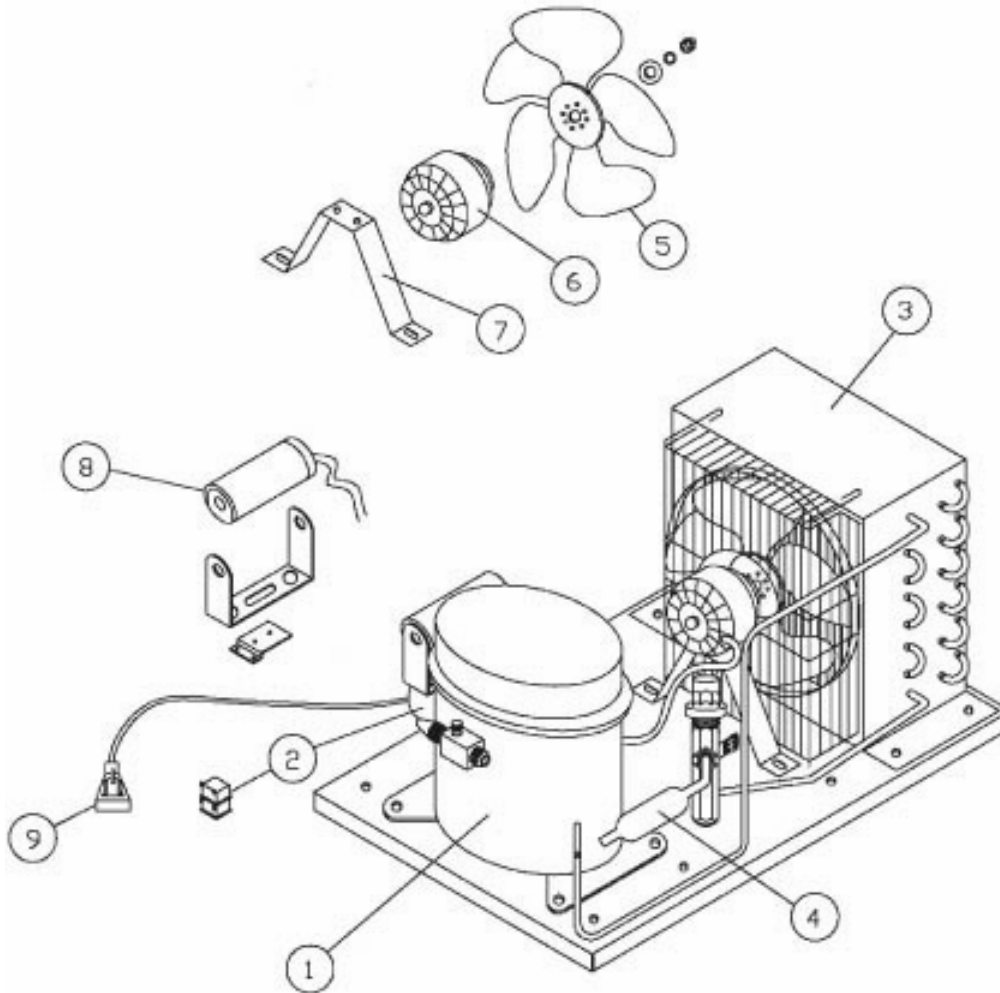


FIGURE 3

Item No.	Part No.	Name
	1043304	Complete condensing unit 1/3HP 115V/60Hz
1	1043303	Compressor 1/3HP 115V/60Hz
2	1035291	Relays
3	1043302	Condenser
4	1043301	Drier

Item No.	Part No.	Name
5	1043300	Condenser fan blade
6	1035281	Condenser fan motor
7	1043299	Condenser fan motor bracket
8	1042193	Capacitor
9	1042192	Power cord

COR20RFTM

SWING DOOR ASSEMBLY AND ITS COMPONENTS

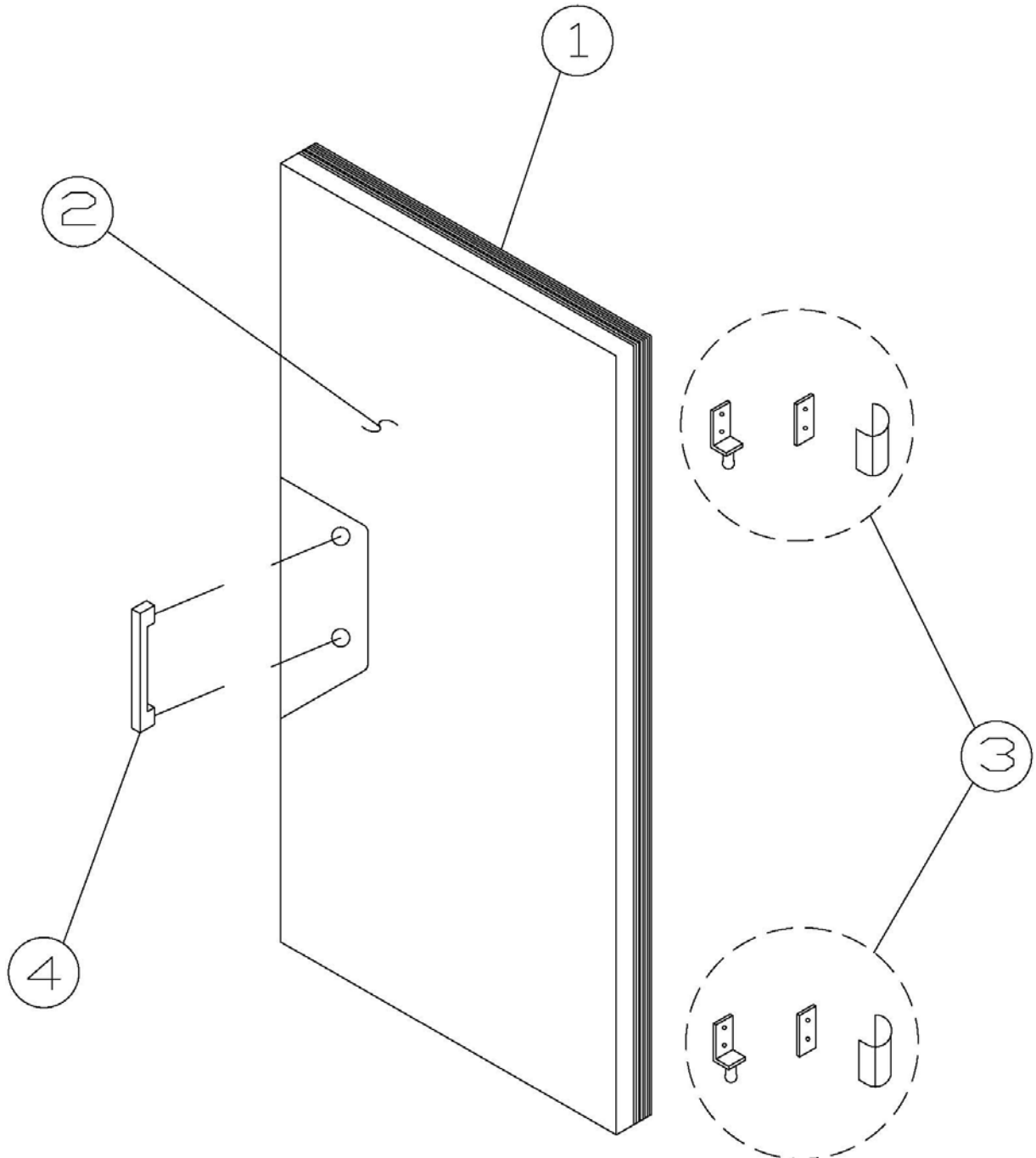


FIGURE 4

Item No.	Part No.	Name
1	1035271	Magnetic gasket
2	1043298	Right complete door

Item No.	Part No.	Name
3	1035277	Door hinge assembly
4	1042189	Door handle

COR20RFTM

INTERIOR LIGHTING SYSTEM ASSEMBLY AND ITS COMPONENTS

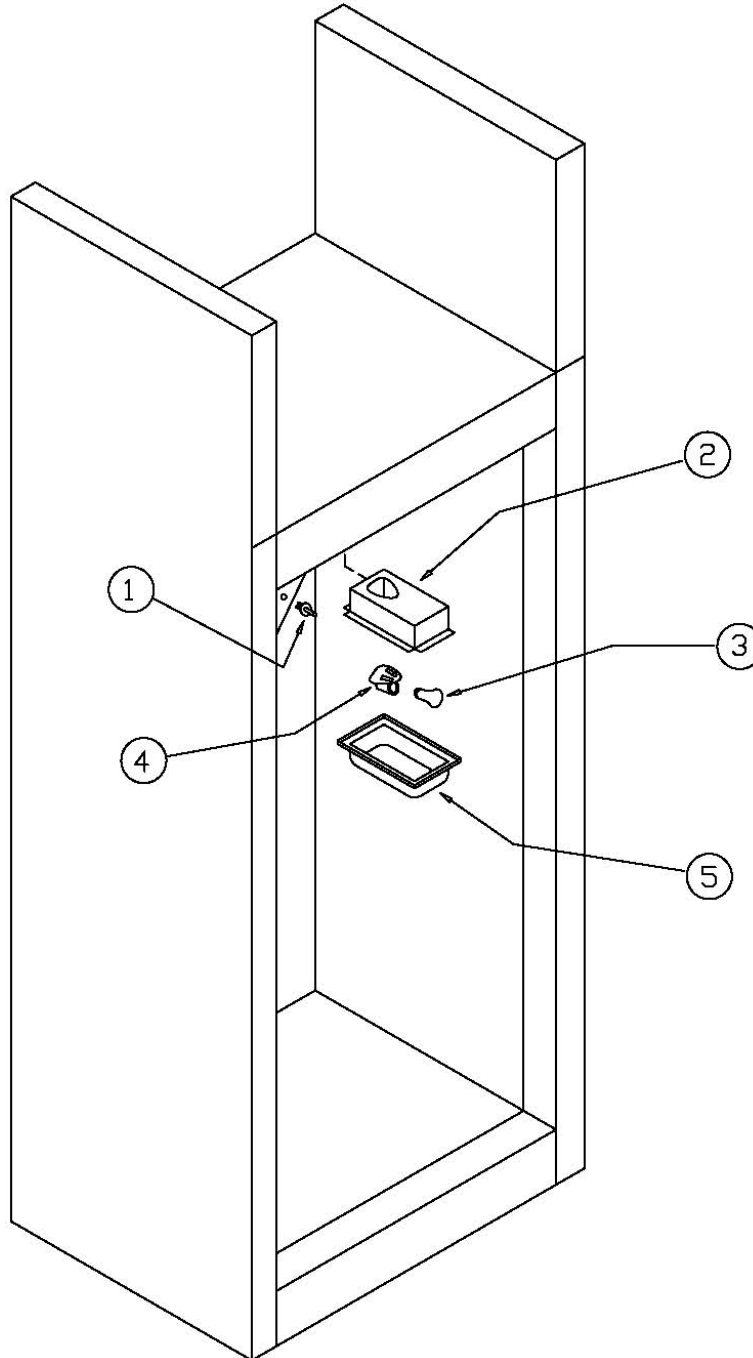


FIGURE 5

Item No.	Part No.	Name
1	1035302	Interior light switch
2	1043297	Bulb bracket
3	1035209	Bulb 25 watts

Item No.	Part No.	Name
4	1042187	Bulb socket
5	1042186	Bulb guard