



# ILLUSTRATED PARTS LIST VISUAL MERCHANDISER

## COR12VM EXPLODED VIEW

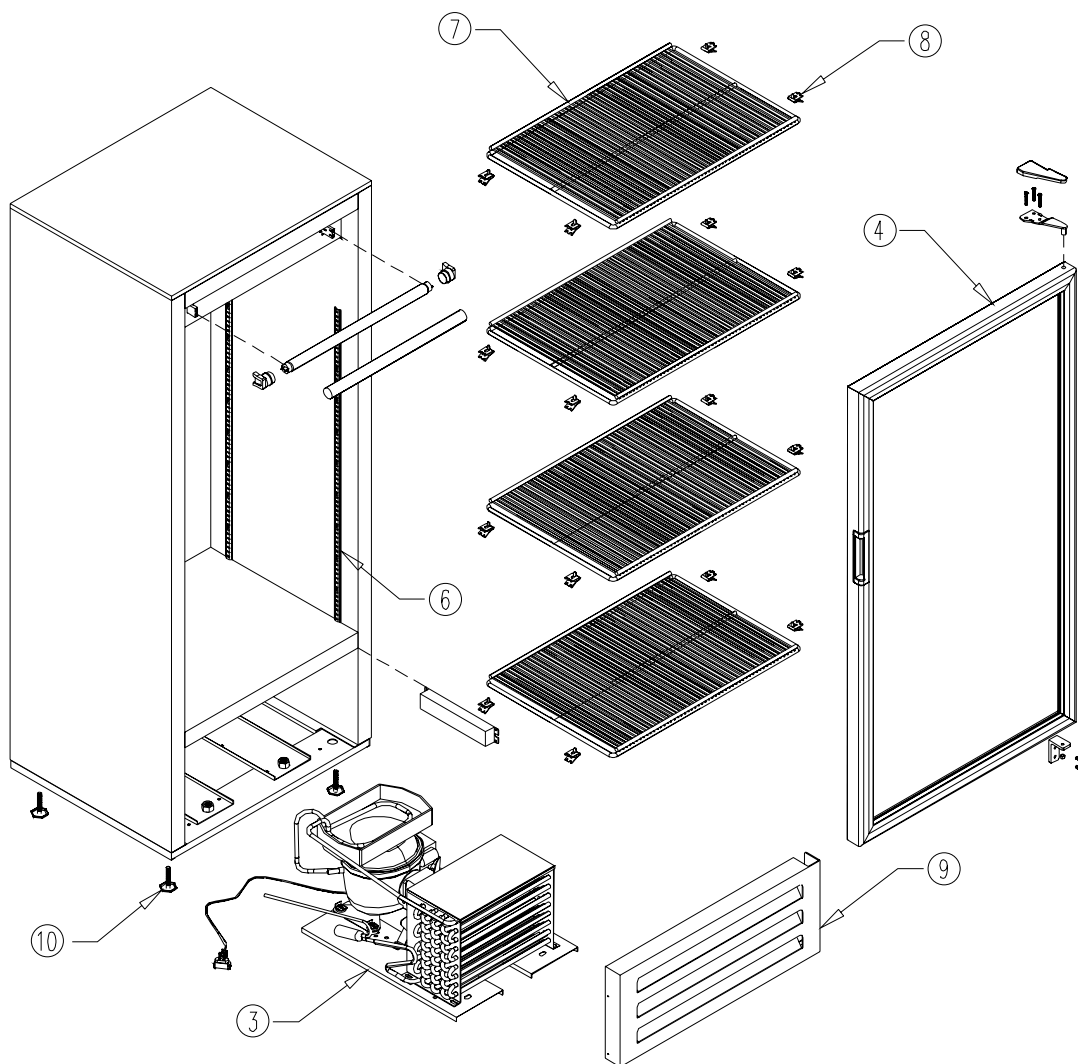


FIGURE 1

Item No.	Part No.	Name
3	FIGURE 3	Condensing unit 1/4 HP 115V/60Hz
4	1033221	Swing door system
6	1033239	Pilaster 36"

Item No.	Part No.	Name
7	1033241	Flat shelf
8	1033450	Shelf clips
9	1033227	Front grill
10	1033235	Leveling legs

# COR12VM

## REFRIGERATION SYSTEM

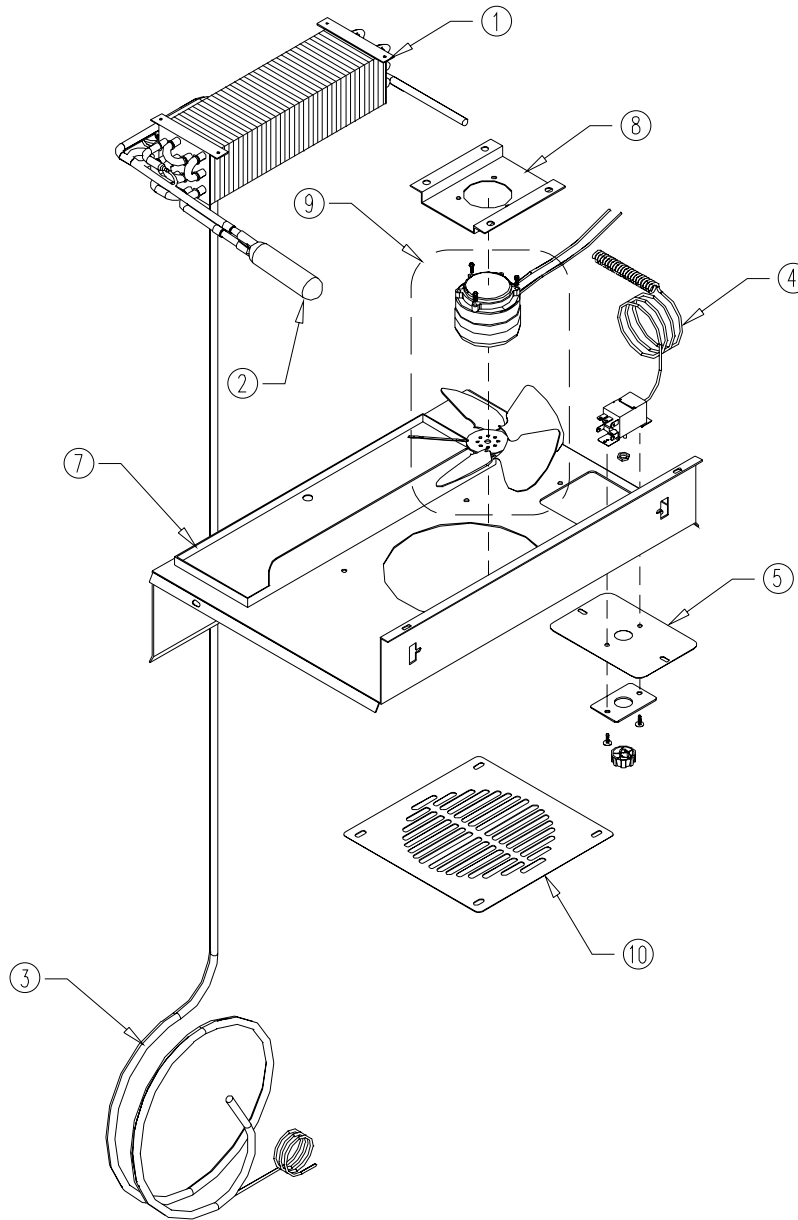


FIGURE 2

Item No.	Part No.	Name
1	1034874	Evaporator
2	1033243	Accumulator
3	1035390	Heat exchanger
4	1036811	Thermostat
5	1037644	Thermostat bracket

Item No.	Part No.	Name
7	1034875	Evaporator pan
8	1033245	Fan motor bracket
9	1034855	Fan motor and blade
10	1033247	Fan guard



# COR12VM

## CONDENSING UNIT ASSEMBLY AND ITS COMPONENTS

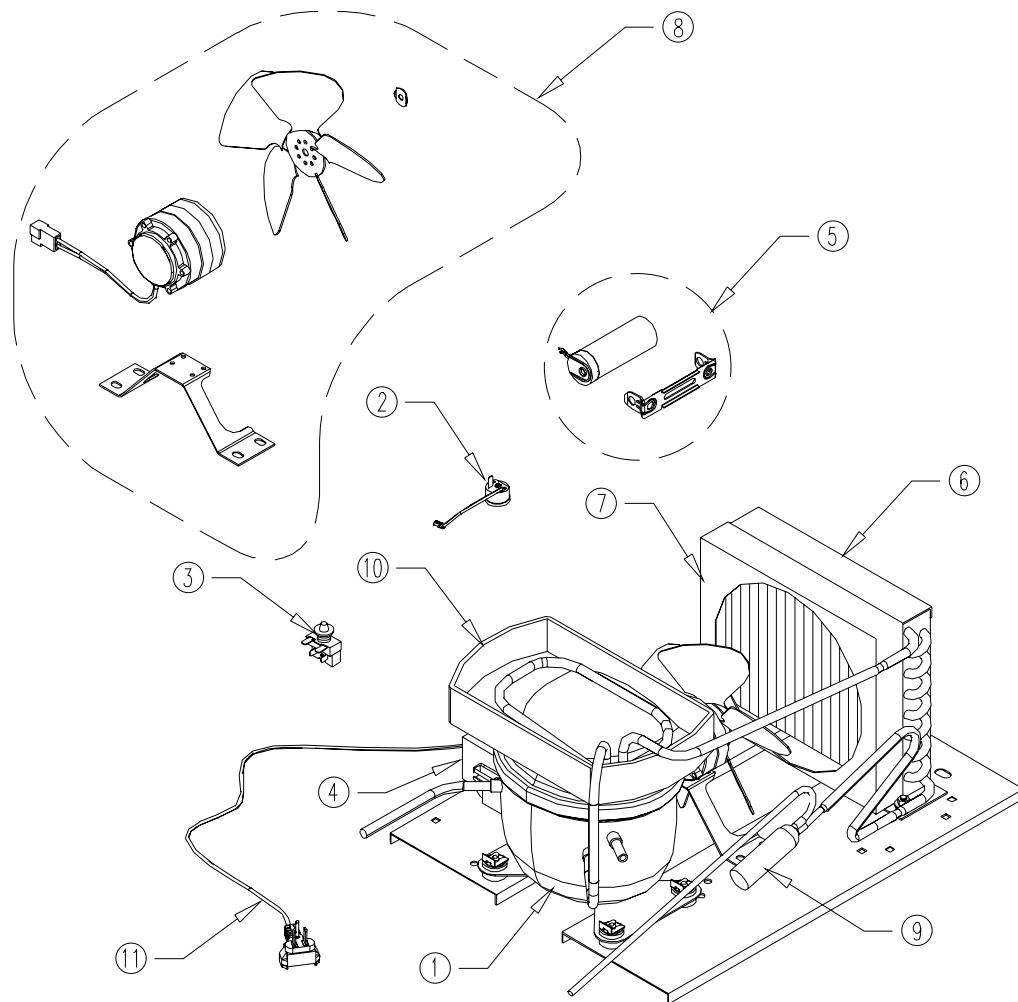


FIGURE 3

Item No.	Part No.	Name
1	1034876	Compressor 1/5 HP 115V/60H
2	1034877	Overload protector 4TM762MFBZZ-53
3	1034878	Relay 213516507
4	1034879	Electrical box
5	1034881	Start capacitor 158-190 $\mu$ F

Item No.	Part No.	Name
6	1034882	Condenser
7	1034883	Condenser shroud
8	1034855	Condenser fan motor and blade
9	1033253	Drier
10	1033254	Compressor evaporation tray
11	1033255	Power cord

# COR12VM

## SWING DOOR ASSEMBLY AND ITS COMPONENTS

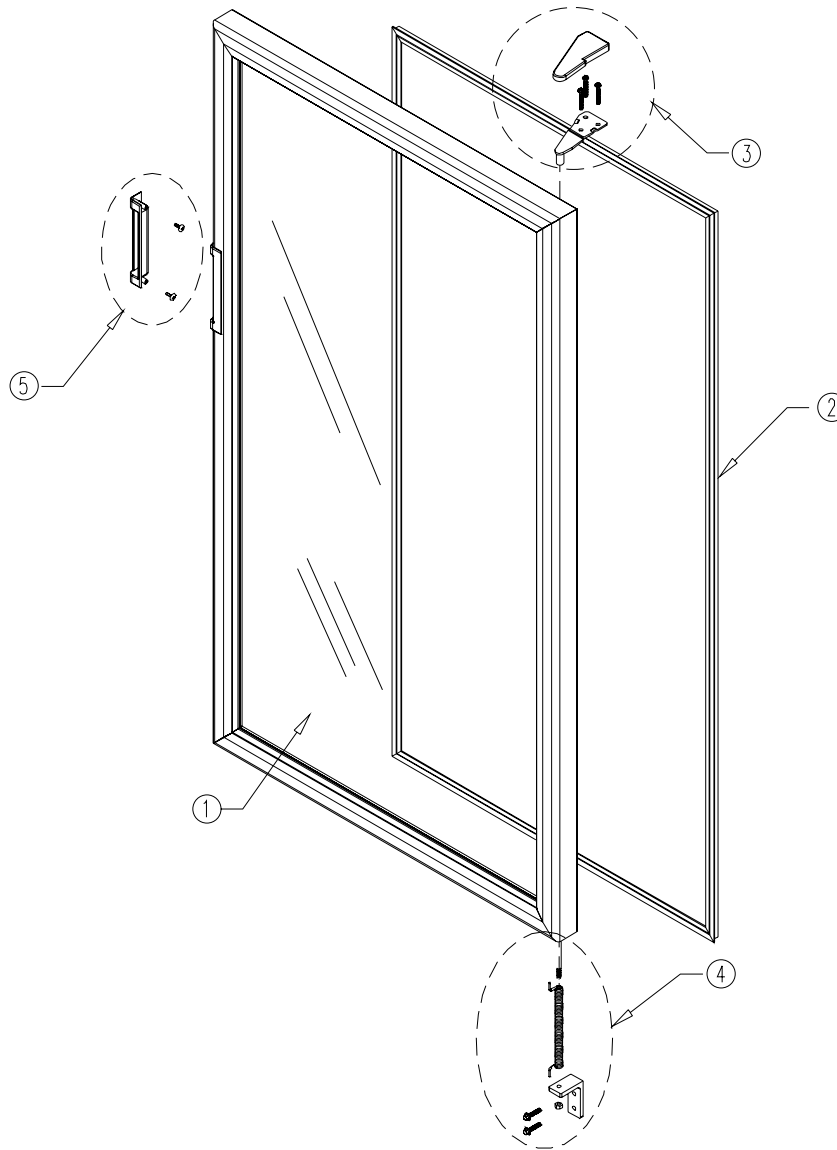


FIGURE 4

Item No.	Part No.	Name
	1033221	Complete door
1	1033238	Glass pane
2	1033224	Magnetic gasket

Item No.	Part No.	Name
3	1033223	Upper hinge assembly
4	1033222	Lower hinge assembly
5	1033237	Complete door handle

# COR12VM

## INTERIOR SIGN LIGHTING ASSEMBLY AND ITS COMPONENTS

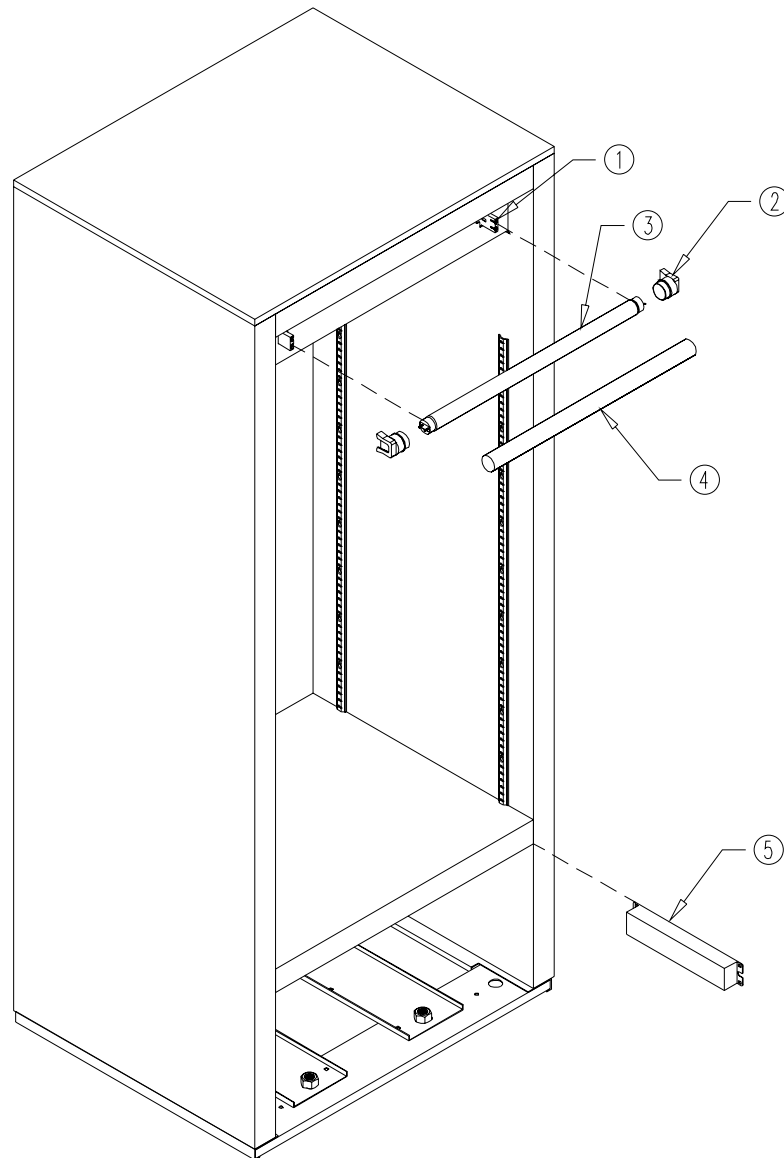


FIGURE 5

Item No.	Part No.	Name
1	1033256	Lampholder
2	1033257	Lampholder cap
3	1033226	Fluorescent tube 13 W T8 (FO13/865/XP/ECO)

Item No.	Part No.	Name
4	1033258	Light shield
5	1033225	Balast QT1x32/120 IS- SC (120V/60)