



CONTINUOUS FLOW ICEMAKER

500, 700, 1000, 1400, 2000-Series

Illustrated Parts List

Release Date: May 26, 2004

Publication Number: 630460174IPL

Revision Date: June 03, 2020

Revision: P

Visit the Cornelius web site at www.cornelius.com for all your Literature needs.

The products, technical information, and instructions contained in this manual are subject to change without notice. These instructions are not intended to cover all details or variations of the equipment, nor to provide for every possible contingency in the installation, operation or maintenance of this equipment. This manual assumes that the person(s) working on the equipment have been trained and are skilled in working with electrical, plumbing, pneumatic, and mechanical equipment. It is assumed that appropriate safety precautions are taken and that all local safety and construction requirements are being met, in addition to the information contained in this manual.

This Product is warranted only as provided in Cornelius' Commercial Warranty applicable to this Product and is subject to all of the restrictions and limitations contained in the Commercial Warranty.

Cornelius will not be responsible for any repair, replacement or other service required by or loss or damage resulting from any of the following occurrences, including but not limited to, (1) other than normal and proper use and normal service conditions with respect to the Product, (2) improper voltage, (3) inadequate wiring, (4) abuse, (5) accident, (6) alteration, (7) misuse, (8) neglect, (9) unauthorized repair or the failure to utilize suitably qualified and trained persons to perform service and/or repair of the Product, (10) improper cleaning, (11) failure to follow installation, operating, cleaning or maintenance instructions, (12) use of "non-authorized" parts (i.e., parts that are not 100% compatible with the Product) which use voids the entire warranty, (13) Product parts in contact with water or the product dispensed which are adversely impacted by changes in liquid scale or chemical composition.

Contact Information:

To inquire about current revisions of this and other documentation or for assistance with any Cornelius product contact:

www.cornelius.com

800-238-3600

Trademarks and Copyrights:

This document contains proprietary information and it may not be reproduced in any way without permission from Cornelius.

Printed in U.S.A.

TABLE OF CONTENTS

Refrigeration and Icemaker Assembly Model 2000 Series	1
Refrigeration and Icemaker Assembly Model 500 Series	2
Refrigeration and Icemaker Assembly Model 700 Series	3
Refrigeration and Icemaker Assembly Model 1000 Series	4
Refrigeration and Icemaker Assembly Model WCC1401-A	5
Refrigeration and Icemaker Assembly Model WCC1400-R and WCC1400-Rack.	6
Refrigeration and Icemaker Assembly Model WCU1401	7
Front End Assembly Model 500 Series	8
Front End Assembly Model 700 Series Flakers	9
Front End Assembly Model 700 and 1400 Series Chunklets	10
Front End Assembly Model 1000 and 2000 Series	11
Electrical Box Assembly Model 500 and 700 Series	12
Electrical Box Assembly Model WCC1401-A	13
Electrical Box Assembly Model WCC1400-R and WCC1400-Rack	14
Electrical Box Assembly Model WCU1401	15
Electrical Assembly Model 1000 and 2000 Series	16

REFRIGERATION AND ICEMAKER ASSEMBLY MODEL 2000 SERIES

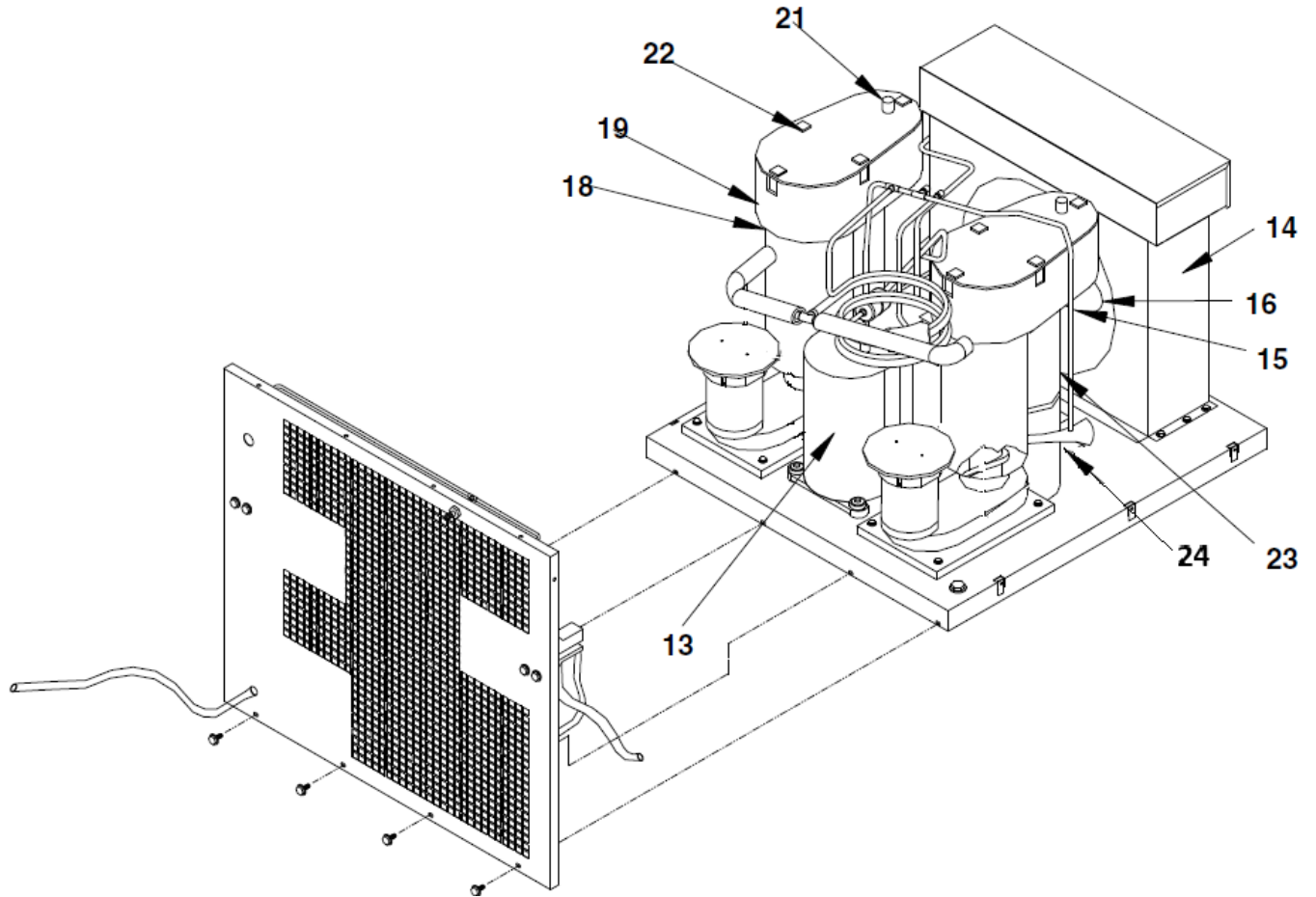


Figure 1. 2000 Series

Item No	Part No.	Name
1	162964027	Compressor (WCC2001 & WCF2201)
	162964046	Compressor (WCC2002 & WCF2202)
2	638036849	Condenser (WCC & WCF Air)
	27177	Condenser (WCC & WCF Water)
	161870007	Condenser (WCC & WCF Remote)
3	638090344001	Fan Motor (WCC & WCF Air 50 & 60 HZ)
	620067891	Motor EBM 350mm Fan (Remote 50 & 60 HZ)
4	63809034401	Fan Blade (Air)
	630900246	Fan Blade (WCC & WCF Remote)
5	638004391	Bracket Fan Motor
6	638036087	Clamp, Dispense Tray
7	638036872001	Dispense Tray Assembly
8	630900948	Cover Dispense Tray

Item No	Part No.	Name
9	630900954	Thermostat Well
10	638036867001	Clip Cove
11	638036020001	Drop Tube Assembly
12	638092537	Cover, Electrical Box
13*	164980002	Water Regulator Valve (Water)
14*	638009755	High Pressure Switch (Water)
15*	161773003	Pressure Switch (WCC & WCF Remote)
16*	166226000	Valve Head Pressure (WCC & WCF Remote)
17*	166225000	Receiver (WCC & WCF Remote)
18*	638092521	Panel Frnt WCF2200
19*	638036005-01	Panel Side LH SS
20*	638036006-01	Panel Side RH SS
21*	638092522	Panel Upper WCF2200
22		
23		
24	620068258	Valve Thermal Expansion R404a WCC/WCF2000

NOTE: * = Not Shown

REFRIGERATION AND ICEMAKER ASSEMBLY MODEL 500 SERIES

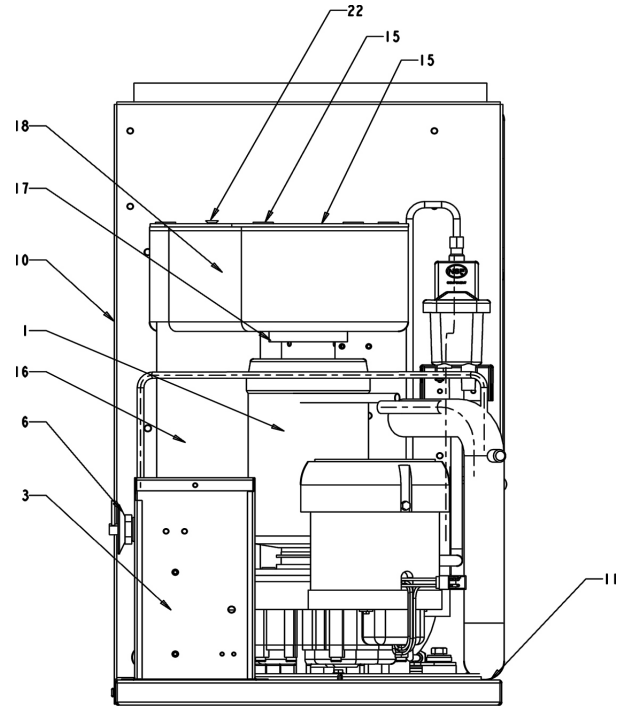
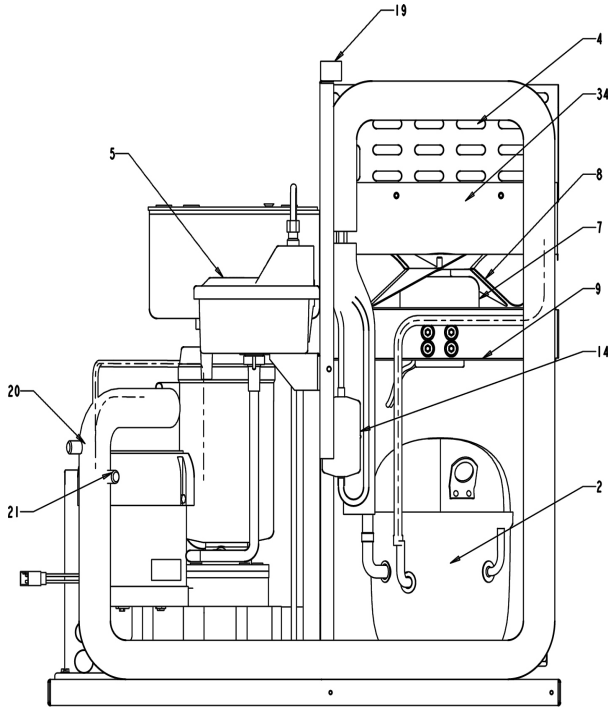


Figure 2. 500 Series

Item No.	Part No.	Description
1	638036373-001	Evap Assy.
2	638090121	Compressor, 115V
	620054548	Compressor, 115V (For unit S/N starting from 620)
	638090131	Compressor, 220V/50Hz
	620055370	Compressor 220/240V 50Hz
3	620054229	Electrical Box Assembly 115V
4	638008854	Condenser-Air Cooled
	638036383	Condenser-Water Cooled
5	630900547	Water Level Control Assembly
	638008483	Reed Switch Assembly
6	638090126	Expansion Valve, Thermal
7	620067555	Fan Motor Assembly, 115V
	638010017	Fan Motor Assembly, 220V 50Hz
8	638008618	Fan Blade
9	638008814	Bracket, Fan Motor
10	638008812	Panel, Center
11	638036218	Bracket, Mounting Icemaker
12*	638008409	Bulkhead Fitting
13*	638007206-04	Nut, Jam 1/2-20
14	638004393	Dryer
15	630900942	Cover, Dispense Tray
	638036867-001	Clip Cover
16	638036366	Drop Tube Assembly
17	638036269	Clamp, Dispense Tray
18	638036869-002	Dispense Tray Assembly
19	7231762	Gasket, Foam 3/4 X 3/4 X 13" lg.
20	20654	Access Port

Item No.	Part No.	Description
21	23988	Replacement Cap
22	630901021	Thermostat Well 2"
23*	638007208-03	Nut, Palnut, 3/4-16
24*	638007295	Bulkhead Fitting, Water Cool
25*	638009755	Pressure Switch
26*	638036386	Finger Guard, Fan
27*	164980002	Water Regulating Valve
28*	638008943	Exhaust Fan Assembly
	161998008	Relay Start 115V
29*	620054732	Relay Start 115V (For unit S/N starting from 620)
	161998011	Relay Start 220V 50Hz
30*	161998011	Relay Start 220V 50Hz
31*	620055909	Capacitor Start 220V 50Hz
32*	161165007	Capacitor Start 115V
	620055715	Capacitor Start 115V(For unit S/N starting from 620)
33*	161165010	Capacitor Start 220V 50Hz
	620055908	Capacitors Start from 220V 50Hz
	638090123	Capacitor Run 115V
33*	638090123	Capacitor Run 115V (For unit S/N starting from 620)
	638090123	Capacitor Run 115V (For unit S/N starting from 620)
34	638036267	Fan Shroud
35	629097166	Kit Comp Replacement WCC 500-A
36	629097176	Kit Comp Replacement WCC 500-W
37*	638036254-01	Panel Top
38*	638036265-01	Panel Front WIL 500/700
39*	620054237	Panel Side RH WCC 700A
40*	620054238	Panel Side LH WCC 700A

NOTE: * = Not Shown

REFRIGERATION AND ICEMAKER ASSEMBLY MODEL 700 SERIES

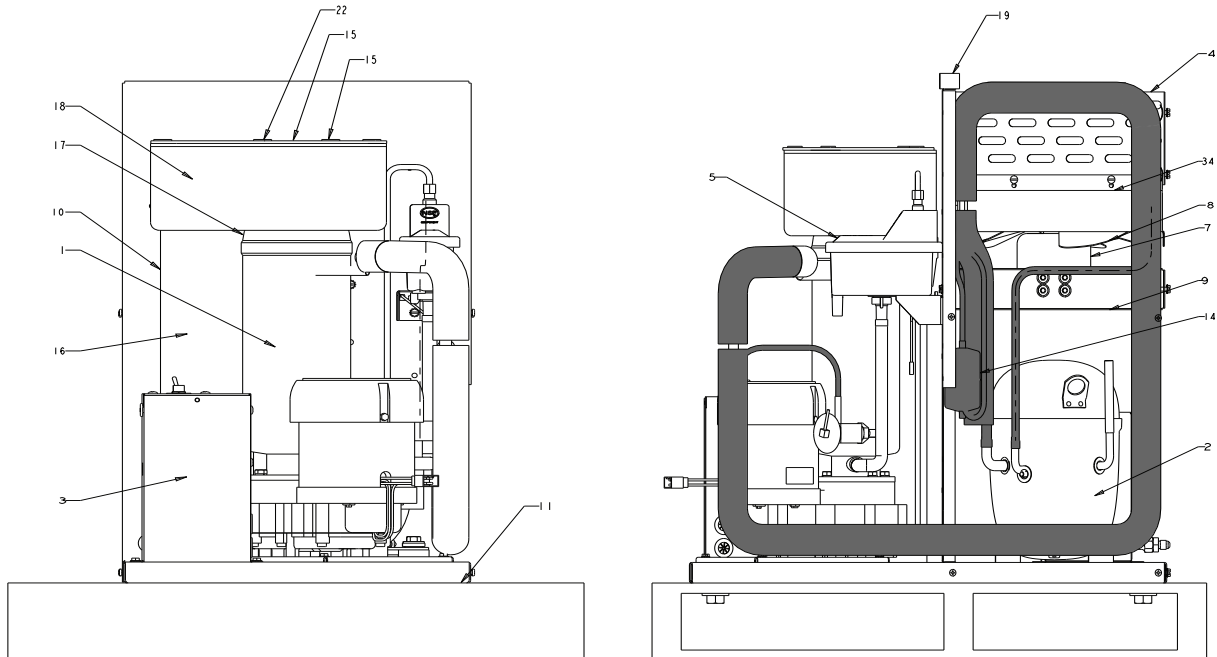


Figure 3.

Item No.	Part No.	Description
1	620054225	Evap Assy WCC 700
2	638090221	Compressor, 115V (For unit with S/N's starting with 62A and 62B)
	638090241	Compressor 208/230V
	162964041	Compressor, 220V 50Hz
	620054119	Compressor 115V (For unit with S/N's starting with 62C)
	620055368	Compressor 220/240V 50Hz (For unit with S/N's starting with 62C)
3	620054229	Electrical Box Assembly
4	638036273	Condenser-Air Cool
	638036272	Condenser-Water Cool
5	630900547	Water Level Control Assembly
	638008483	Reed Switch Assembly
6	638090226	Expansion Valve, Thermal
7	638090236	Fan Motor Assembly, 115V
	638090234	Fan Motor Assembly, 208/230V
	638090233	Fan Motor Assembly, 220V 50 Hz
8	638096723	Fan Blade
9	638008814	Bracket, Fan Motor
10	638008812	Panel, Center
11	638036218	Bracket, Mounting Icemaker
12	638008409	Bulkhead Fitting
13	638007206-04	Nut, Jam 1/2-20
14	638004393	Dryer
15	630900942	Cover, Dispense Tray
	638036867-001	Clip Cover
16	638036213	Drop Tube Assembly
17	638036269	Clamp, Dispense Tray
18	638036869-001	Dispense Tray Assembly
19	7231762	Gasket, Foam 3/4 x 3/4 x 13 Lg.

Item No.	Part No.	Description
20*	20654	Access Port
21*	23988	Replacement Cap
22	630900953	Thermostat Well
23*	638007208-03	Nut, Palnut, 3/4-16
24*	638008834	Bracket, Mounting Condenser
25*	638009755	Pressure Switch
26*	620055903	Water Regulating Valve
	161998009	Relay Start 115V RST 64
27	620054242	Relay Start 115V RST 64 For unit with S/N's starting with 62C
	638090242	Relay Start 208/230V, 60Hz
28*	161998015	Relay Start 220V, 50Hz
	620055914	Relay Start 220V 50Hz
30	161192004	Capacitor Run 115V (For unit with S/N's starting with 62A and 62B)
	620054254	Capacitor Run 115V RST64 (For unit with S/N's starting with 62C)
31*	638090123	Capacitor Run 208/230V, 60Hz
32*	161165008	Capacitor Start 115V
	620054243	Capacitor Run 115V RST64 (For unit with S/N's starting with 62C)
33*	25335	Capacitor Start 208/230V, 60Hz
	620055913	Capacitor Start 220V, 50Hz (For unit with S/N's starting with 62O)
	638090235	Condenser Shroud
34*	638090235	Condenser Shroud
35	620054256	Kit Comp Replacement WCC700
36	629097159	Kit Comp Replacement WCC700-W
37*	620054237	Panel Side RH WCC700A
38*	620054238	Panel Side LH WCC700A
39*	638036265-01	Panel Frnt WIL 500/700
40*	638036264-01	Panel Top

NOTE: * = Not Shown

REFRIGERATION AND ICEMAKER ASSEMBLY MODEL 1000 SERIES

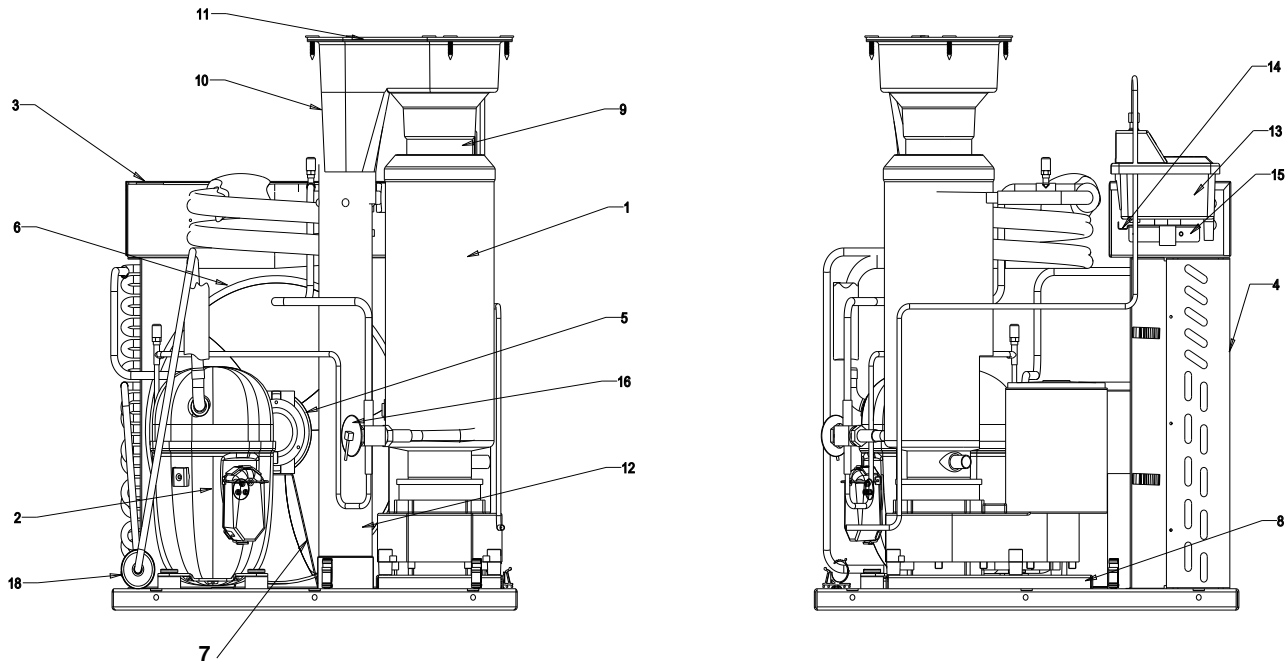


Figure 4.

Item No.	Part No.	Description
1		Front End Assembly
2	620055718	Compressor, 208/230V, 60Hz
	638090331	Compressor, 220V 50Hz
3	620056722	Box Electrical WCC 1001A/1101A
	638036036	Box Electrical Assy.
4*	638036121	Condenser-Air Cool
	638009776	Condenser-Water Cool
5	638090344-001	Fan Motor Assembly, 208/230V
	638090344-002	Fan Motor Assembly, 220V 50Hz
6	630900312	Fan Blade
7	638004391	Bracket, Fan Motor
8	638090349	Bracket, Mounting Icemaker
9	638036087	Clamp, Dispense Tray
10	638036872-001	Dispense Tray Assembly
11	630900948	Cover, Dispense Tray
	638036867-001	Clip Cover
	630900954	Thermostat Well
12	638036020-001	Drop Tube Assembly
13	638090350	Water Level Control Assembly
14	638036069	Reed Switch Assembly
15	638090347	Bracket Water Level
16	638090326	Expansion Valve
17*	638007262-01	Nut, Tinnerman
18	638090055	Dryer
19*	638008409	Bulkhead Fitting
20*	638007206-04	Nut, Bulkhead Fitting
21*	638007921	Connector, UL Ground
22*	638007295	Bulkhead Fitting, Water Cool
23*	638009711	Support, Condenser, Water Cooled

Item No.	Part No.	Description
24*	638009712	Clip Condenser, Water Cooled
25*	638007208-03	Nut, Palnut, 3/4-16
26*	164980002	Valve, Water Regulating
27*	638036188	Receiver, Upright
28*	638036194	Valve, Head Pressure
29*	638037110	Washer, Seal
30*	638037111	Valve, Rotolock
31*	638036014	Cover, Electrical Box
		Spacer
		Plunger, Rubber
		Washer, Fiber
		Nut
		Sleeve
		Nut, Compression
32*	63030819	Float & Stem Assembly
		Magnet & Bracket Assembly
		Float
33*	638008483	Reed Switch Assembly WCC700/500
	638036069	Reed Switch Assembly WCC1000
	638092531	Reed Switch Assembly WCC2000
34*	638004717	Bracket Water Level
	638090347	Bracket Water Level WCC1000
	638092529	Bracket Water Level WCC2000
35*	638008097	Clamp, Reed Switch
36*	638007002-01	Screw
37*	638036002-01	Panel Frnt SS
38*	620045367	Panel Top SS
39*	620045368	Panel Side LH SS
40*	620045369	Panel Side RH SS

NOTE: * = Not Shown

REFRIGERATION AND ICEMAKER ASSEMBLY MODEL WCC1401-A

Item No.	Part No.	Description
1		Front End Assembly
2	630900925	Compressor, 208/230V
3		Electrical Box Assembly
4	161870005	Condenser
5	630900547	Water Level Control Assembly
	638008483	Reed Switch Assembly
6	638090226	Thermal Expansion Valve
7	630900308	Fan Motor Assembly, 208/230V
8	630900309	Fan Blade
9	630900919	Fan Motor Bracket
10	638036218	Icemaker Mounting Bracket
11	638008409	Bulkhead Fitting
12	638007206-04	Jam Nut, 1/2-20
13	638090055	Dryer
14	630900942	Dispense Tray Cover
	638036867-001	Cover Clip
15	630250204	Drop Tube Assembly
16	638036087	Dispense Tray Clamp
17	630001255	Dispense Tray Assembly
18	162978003	Service Valve Assembly
19	23988	Replacement Cap
20	630900953	Thermostat Well
21*	630201578	Panel Front
22*	630201579	Panel Side LH
23*	630201580	Panel Side RH
24*	630201581	Panel Top

NOTE:* = Not Shown

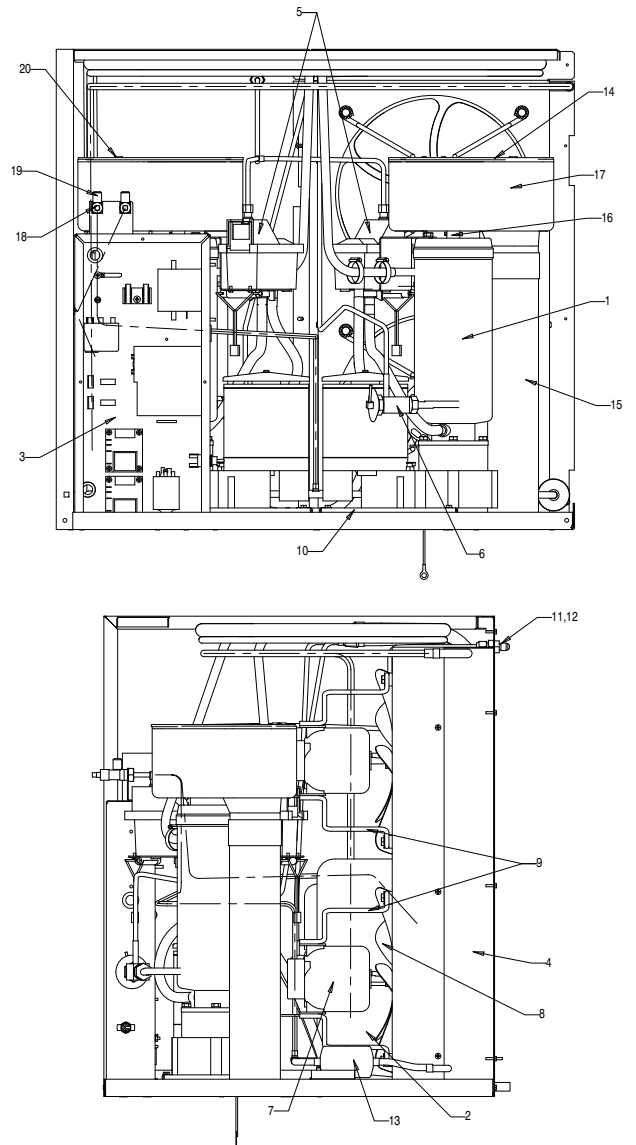


Figure 5. WCC1401-A

REFRIGERATION AND ICEMAKER ASSEMBLY MODEL WCC1400-R AND WCC1400-RACK

Item No.	Part No.	Description
1		Front End Assembly
2		Electrical Box Assembly
3	630900547	Water Level Control Assembly
	638008483	Reed Switch Assembly
4	638090226	Thermal Expansion Valve
4*	620065960	Valve Angled Txv 1/3 Ton R407A
5	638036218	Icemaker Mounting Bracket
6	638008409	Bulkhead Fitting
7	638007206-04	Jam Nut, 1/2-20
8	638090055	Dryer
9	630900942	Dispense Tray Cover
	638036867-001	Cover Clip
10	638036213	Drop Tube Assembly
11	638036087	Dispense Tray Clamp
12	630001255	Dispense Tray Assembly
13	630900953	Thermostat Well
14*	630201578	Panel Front
15*	630201579	Panel Side LH
16*	630201580	Panel Side RH
17*	620301581	Panel Top

NOTE:* = Not Shown

NOTE:4*=Item is for R407A rack unit

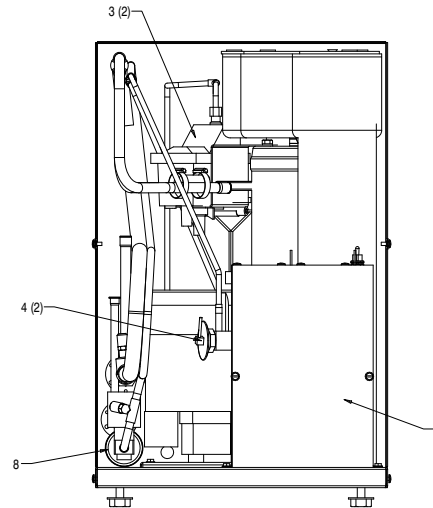
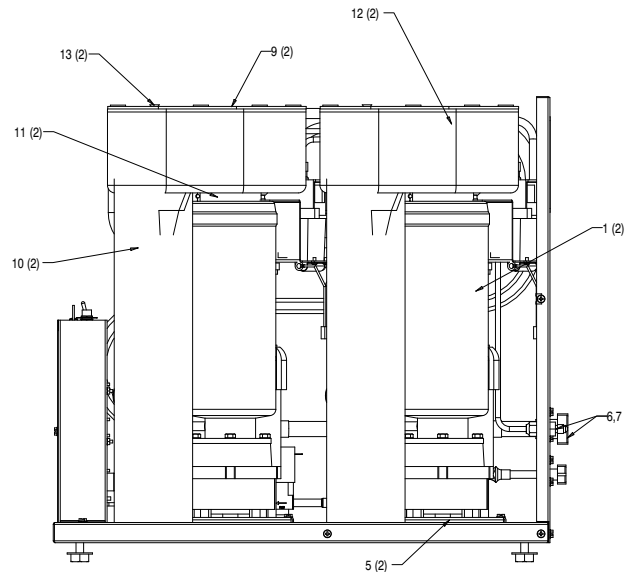


Figure 6. WCC1400-R

REFRIGERATION AND ICEMAKER ASSEMBLY MODEL WCU1401

Item No.	Part No.	Description
1	630900925	Compressor, 208/230V
2		Electrical Box Assembly
3	161870007	Condenser
4	630001221	Fan Motor Assembly
5	630900246	Fan Blade
6	630901097	Receiver
7	166226000	Head Pressure Control
8	630901364	Low Pressure Switch
9	23988	Replacement Cap
10*	630201583	Panel Rear WCH1400
11*	630201596	Wrap WCH1400

NOTE: * = Not Shown

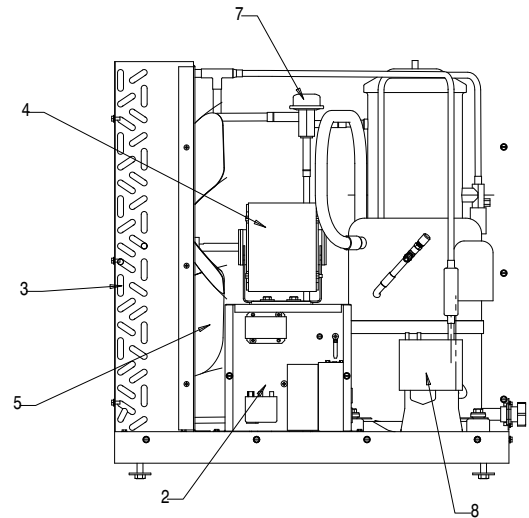
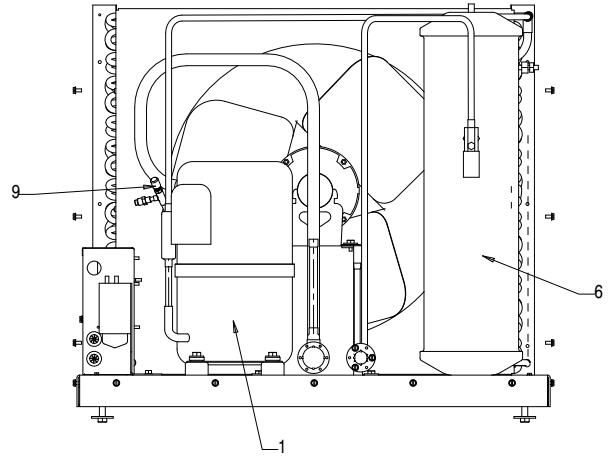


Figure 7. WCU1401

FRONT END ASSEMBLY MODEL 500 SERIES

Item No.	Part No.	Name
1	638090001	Gearmotor Less Cable, Seals O-ring seal-mount 115V
	638090001-001	Gearmotor Less Cable, Seals O-ring seal-mount 230V 60 Hz
	638090001-002	Gearmotor Less Cable, Seals O-ring seal-mount 220V 50 Hz
	638090050-002	Gearmotor - 115V Service Kit
	638090050-003	Gearmotor - 230V Service Kit
	638090050-005	Gearmotor - 220V Service Kit
2	638090116	Shaft Seal Seat
3	638090051	Shaft Seal
4	638090053	E-Ring
5	168833000	Washer, Lock 1/4 Split
6	161179001	Screw, 1/4-20 x 3/4 Lg. HHMS
7	638036373-001	Evaporator Assembly
8	638090113	Auger
9	638090117	Extruding Head, WCC
	638090118	Extruding Head, WCF
10	638090126	Expansion Valve
11	638036218	Bracket, Mounting Icemaker
12	638090111	Auger Nut
13	638090119	Bearing Nylon
14	638090120	Bearing Delrin

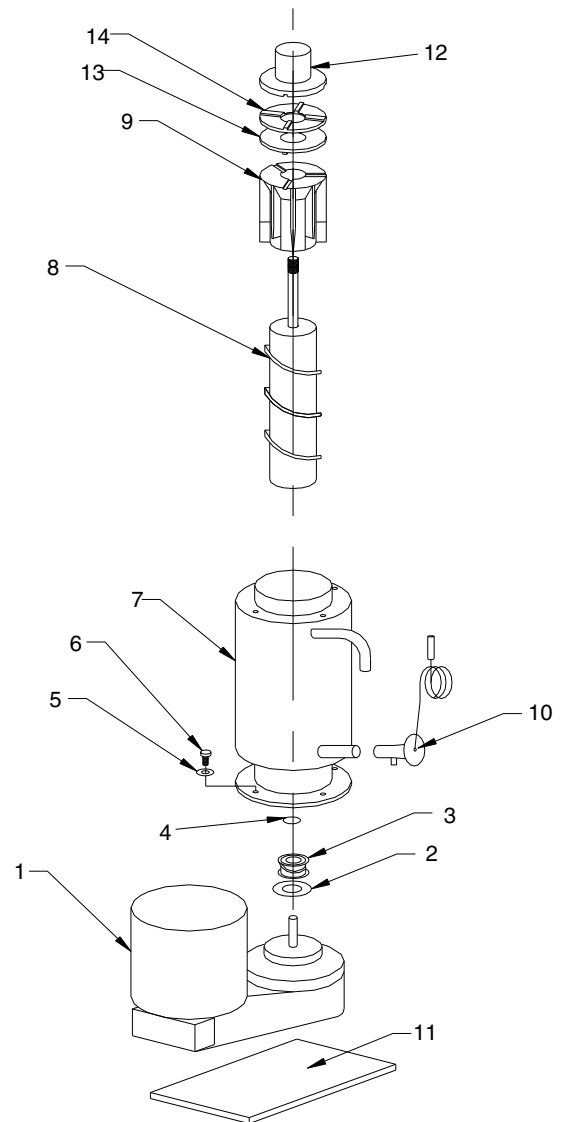


Figure 8. Front End Assembly 500 Series

FRONT END ASSEMBLY MODEL 700 SERIES FLAKERS

Item No.	Part No.	Name
1	638090001	Gearmotor Less Cable, Seals, O-ring, Seal-mount 115V
	638090001-001	Gearmotor Less Cable, Seals, O-ring, Seal-mount 230V, 60Hz
	638090001-002	Gearmotor Less Cable, Seals, O-ring, Seal-mount 220V, 50Hz
	638090050	Gearmotor - 115V Service Kit
	638090050-004	Gearmotor - 230V Service Kit
	638090050-006	Gearmotor - 220V Service Kit
2	638090215	Shaft Seal Mount
3	638090051	Shaft Seal
4	638007301-030	Washer, Lower
5	638090053	E-Ring
6	638090216	Shaft Seal Seat
7	168833000	Washer, Lock 1/4 Split
8	161179001	Screw 1/4-20 x 3/4 Lg. HHMS
9	638036282-001	Evaporator Assembly
10	638090213	Auger
11	638090218	Extruding Head WCF
12	638090226	Expansion Valve
13	638036218	Bracket, Mounting
14	638090211	Auger Nut
15	638090219	Bearing Nylon
16	638090220	Bearing Delrin

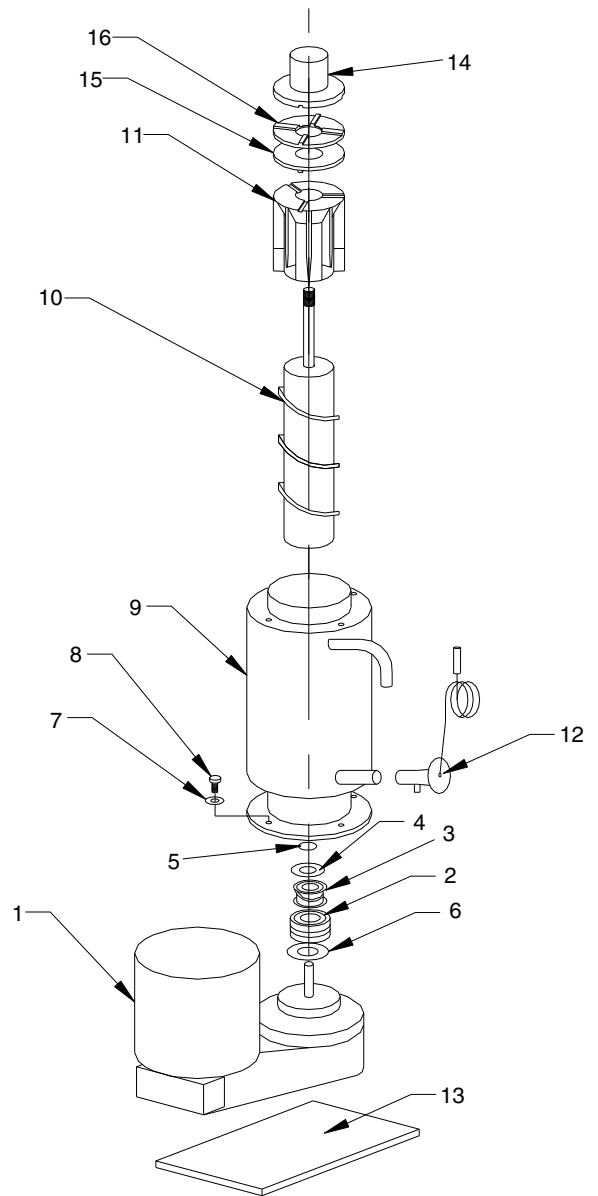


Figure 9. Front End Assembly 700 Series

FRONT END ASSEMBLY MODEL 700 AND 1400 SERIES CHUNKLETS

Item No.	Part No.	Name
1	638090001	Gearmotor Less Cable, Seals, O-ring, Seal-mount 115V
	638090001-001	Gearmotor Less Cable, Seals, O-ring, Seal-mount 230V, 60Hz
	638090001-002	Gearmotor Less Cable, Seals, O-ring, Seal-mount 220V, 50Hz
	638090050	Gearmotor - 115V Service Kit
	638090050-004	Gearmotor - 230V Service Kit
	638090050-006	Gearmotor - 220V Service Kit
2	638090215	Shaft Seal Mount
3	638090051	Shaft Seal
4	638007301-030	Washer, Lower
5	638090053	E-Ring
6	638090216	Shaft Seal Seat
7	168833000	Washer, Lock 1/4 Split
8	161179001	Screw 1/4-20 x 3/4 Lg. HHMS
9	630000651	Evaporator Assembly
10	638090213	Auger
11	630900608	Extruding Head
12	638090226	Expansion Valve
13	638036218	Bracket, Mounting
14	638090211	Auger Nut
15	638090219	Bearing Nylon
16	638090220	Bearing Delrin

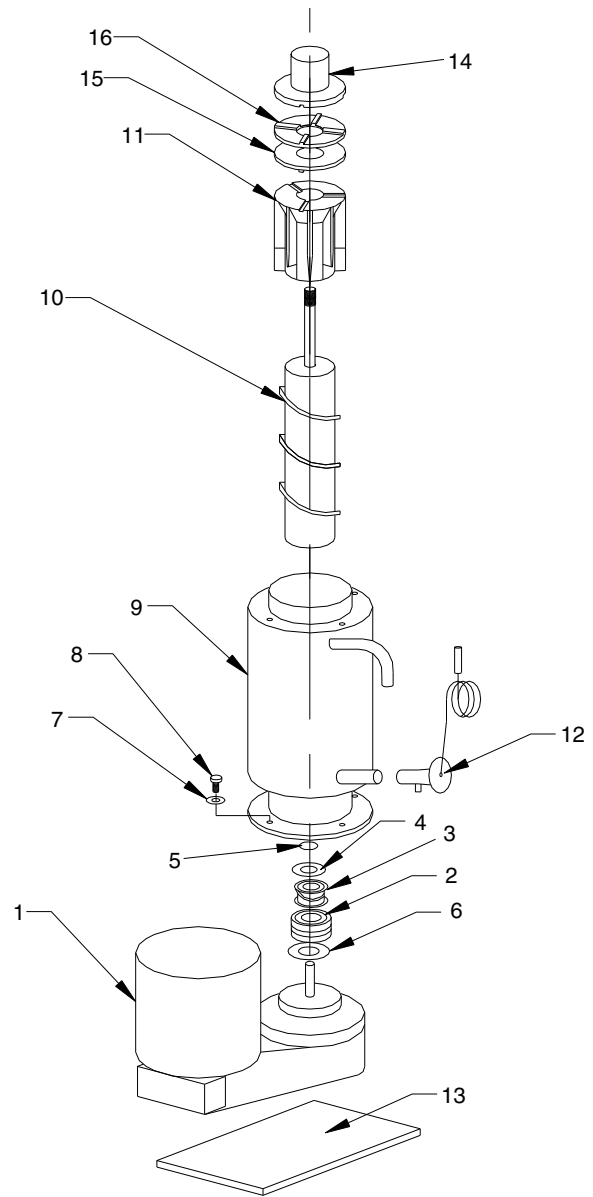


Figure 10. Front End Assembly 700 Series

FRONT END ASSEMBLY MODEL 1000 AND 2000 SERIES

Item No.	Part No.	Name
1	638090000-001B	Gearmotor Less Cable, Seals, O-ring, Seal-mount 230V, 60Hz
	638090000-001B	Gearmotor Less Cable, Seals, O-ring, Seal-mount 220V, 50Hz
	638090050-001	Gearmotor - 230V Service Kit
	638090050-001	Gearmotor - 220V Service Kit
2	638090315	Shaft Seal Mount
3	638090051	Shaft Seal
4	638007301-030	Washer, Lower
5	638090053	E-Ring
6	638090316	Shaft Seal Seat
7	168833000	Washer Lock 1/4 Split
8	161179001	Screw, 1/4-20 x 3/4 Lg. HHMS
9	638090335	Evaporator Assembly
10	638090313	Auger
11	638090317	Extruding Head WCC
	638090318	Extruding Head WCF
12	620068253	Expansion Valve
13	638090349	Bracket, Mounting
14	638090311	Auger Nut
15	638090319	Bearing Nylon
16	638090320	Bearing Delrin

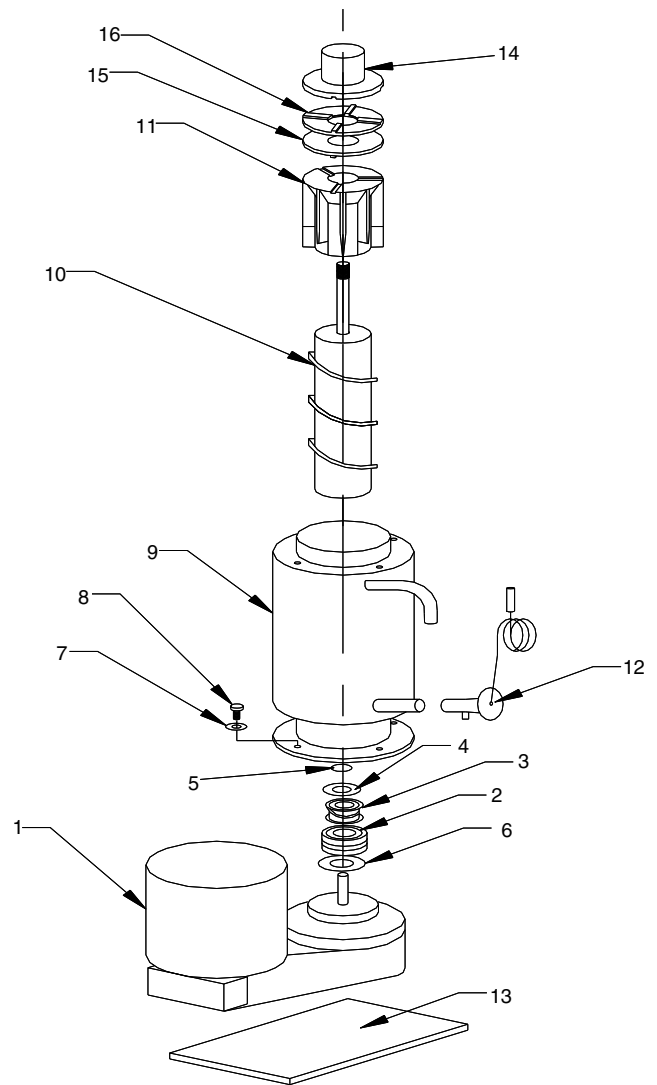


Figure 11. Front End Assembly 1000 and 2000 Series

ELECTRICAL BOX ASSEMBLY MODEL 500 AND 700 SERIES

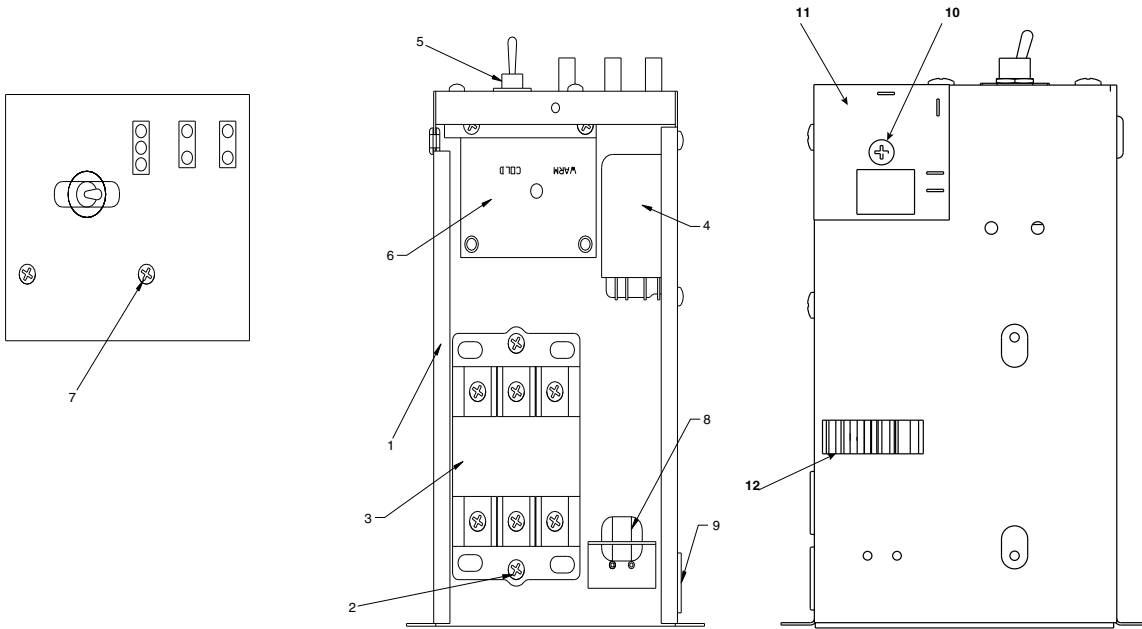


Figure 12. Electrical Box 500 and 700 Series

Item No.	Part No. 500/700 (115V)	Part No. 701 (208/230V)	Part No. 502/702 (220/240V)	Name	Qty.
1	630000880	630000880	630000880	Electrical box	1
2	638007026-03	638007026-03	638007026-03	Screw 8/32 x 5/8 RHMS	2
3	638090052	638090054	638090054	Contactor	1
4	638003898	638010002	638010002	Relay	1
5	638004791	638004791	638004791	Switch - Toggle	1
6	630900946	630900947	630900947	Bin Control	1
7	638007026-01	638007026-01	638007026-01	Screw 8/32 x 3/8 RHMS	2
8	163424000	163424000	163424000	Strain Relief	1
9	163529000	163529000	163529000	Bushing	1
10	07515			Screw Sm 10 Tb Paph 32 STZL	1
11	638031498			Timer Auger Delay 60 Sec 120/60	1
12	620054736			Clamp Harness Adjustable 0.57-0.75"	1
13	620066534			Harn Control Box WCC 700A W/Auger delay	1

ELECTRICAL BOX ASSEMBLY MODEL WCC1401-A

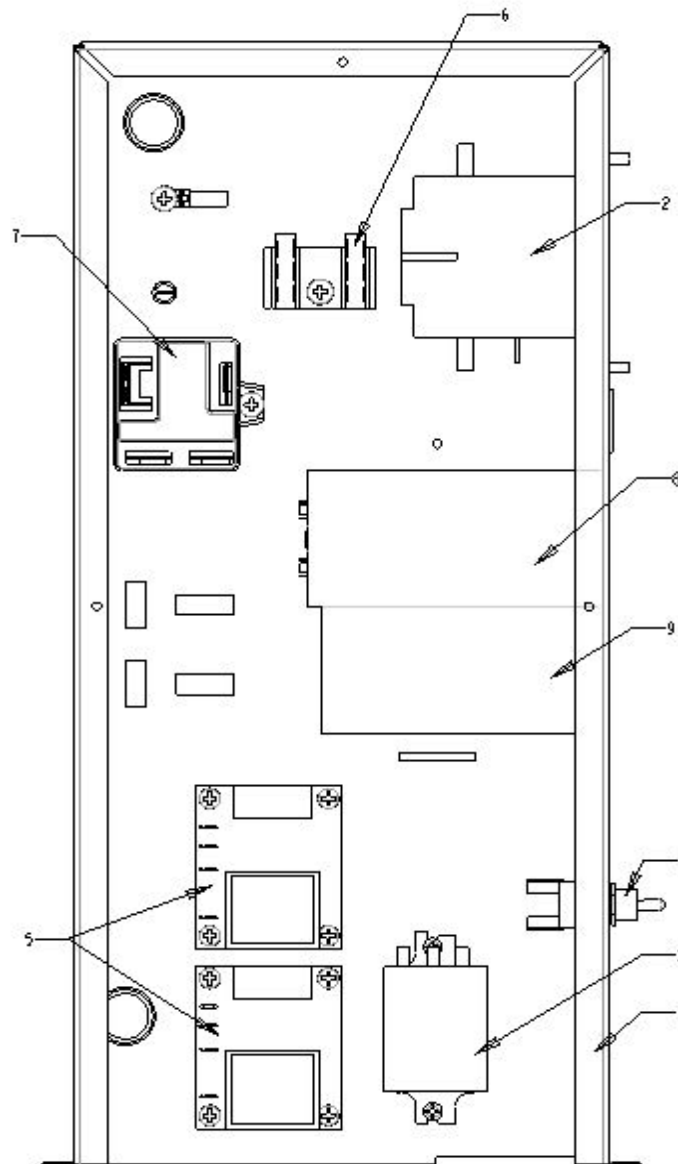


Figure 13. Electrical Box WCC1401-A

Item No.	Part No.	Name
1	630201706	Electrical Box
2	638090054	Contactor
3	638010002	Relay
4	638004791	Switch-Toggle
5	630900947	Bin Control
6	309898000	Terminal Block
7	620067542	Start Relay
8	630901026	Start Capacitor
9	630900967	Run Capacitor

ELECTRICAL BOX ASSEMBLY MODEL WCC1400-R AND WCC1400-RACK

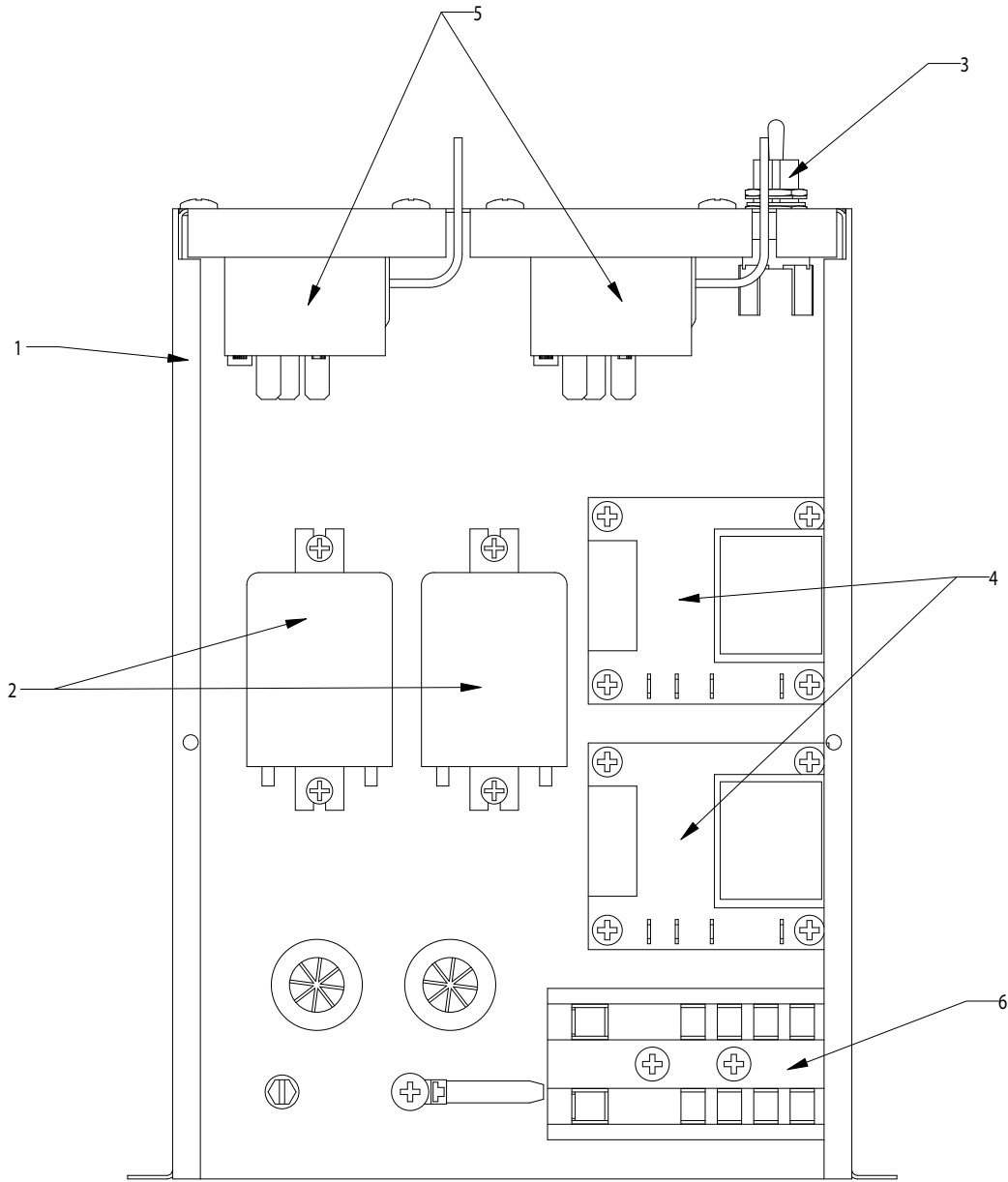


Figure 14. Electrical Box WCC1400-R

Item No.	Part No.	Name
1	630201597	Electrical box
2	638003898	Relay
3	638004791	Switch-Toggle
4	630900946	Bin Control
5	638009388-01	Auger Delay
6	161838002	Terminal Block

ELECTRICAL BOX ASSEMBLY MODEL WCU1401

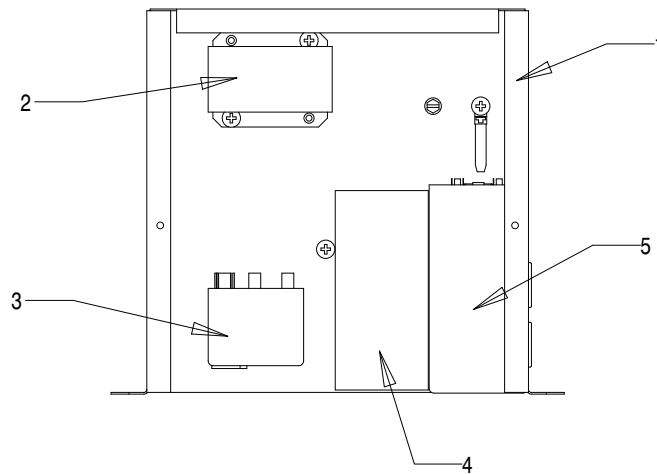


Figure 15. Electrical Box WCU1401

Item No.	Part No.	Name
1	630000305	Electrical box
2	40713	Relay
3	630900965	Start Relay
4	630900967	Run Capacitor
5	630901026	Start Capacitor

ELECTRICAL ASSEMBLY MODEL 1000 AND 2000 SERIES

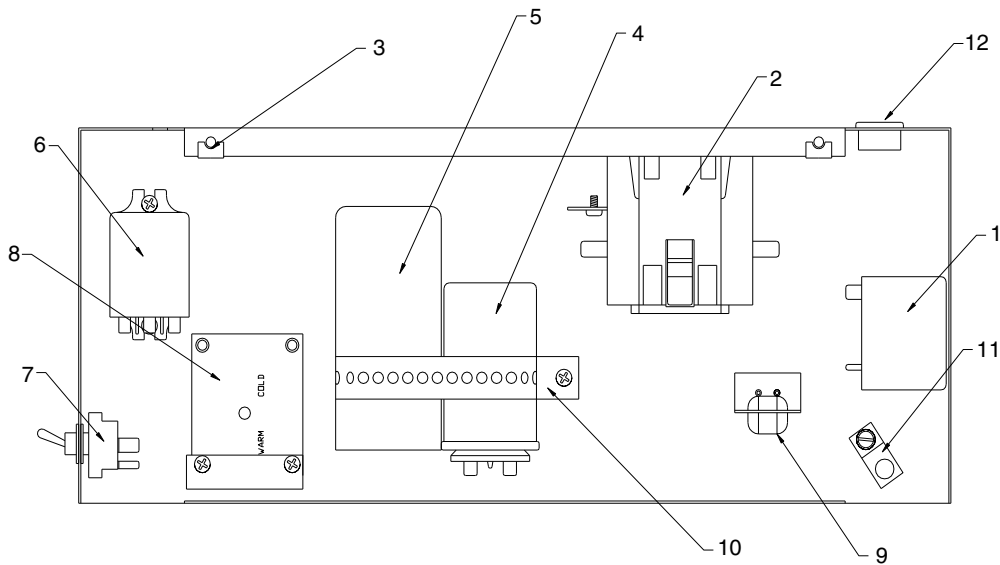


Figure 16. Electrical Assembly 1000 and 2000 Series

Item No	Part No	Name
1	620056394	Potential Relay, 208/230V 60 Hz WCC1001A & WCF1101A
	638090242	Start Relay, 240V 50 Hz WCC1002 & WCF1102
		Start Relay, 240V 50 Hz WCC2002 & WCF2202
	40285	Start Relay, 208/230 60 Hz WCC2001 & WCF2201
2	638090054	Relay, 208/230V 50/60 Hz
3	638007262-01	Nut, Tinnerman
4	620056592	Capacitor Run, 208/230 V 60 Hz WCC1001A & WCF1101A
	638090282	Capacitor Run, 240 V 50 Hz WCC1002 & WCF1102
	161192005	Capacitor Run, 208/230 V 60 Hz WCC2001 & WCF2201
		Capacitor Run, 240 V 50 Hz WCC2002 & WCF2202

Item No	Part No	Name
5	620056395	Capacitor Start, 208/230 V 60 Hz WCC1001A & WCF1101A
	25335	Capacitor Start, 240V 50 Hz WCC1002 & WCF1102
	41044	Capacitor Start, 208/230 V 60 Hz WCC2001 & WCF2201
	161165013	Capacitor Start, 240 V 50 Hz WCC2002 & WCF2202
6	638010002	Relay220V
7	638004791	Switch Toggle
8	630900947	Switch Bin Control
9	63800734103	Strain Relief
10	630200166	Capacitor Mounting Strap
11	638007921	Ground Connector
12	163529000	Bushing

Cornelius Inc.
www.cornelius.com