



CONTINUOUS FLOW ICE MAKER

2000 - Series Illustrated Parts List

Release Date: 07 February, 2018

Publication Number: 548000026

Revision Date: October 3, 2019

Revision: B

Notice

The products, technical information, and instructions contained in this manual are subject to change without notice. These instructions are not intended to cover all details or variations of the equipment, nor to provide for every possible contingency in the installation, operation or maintenance of this equipment. This manual assumes that the person(s) working on the equipment have been trained and are skilled in working with electrical, plumbing, pneumatic, and mechanical equipment. It is assumed that appropriate safety precautions are taken and that all local safety and construction requirements are being met, in addition to the information contained in this manual.

This Product is warranted only as provided in Cornelius' Commercial Warranty applicable to this Product and is subject to all of the restrictions and limitations contained in the Commercial Warranty.

Cornelius will not be responsible for any repair, replacement or other service required by or loss or damage resulting from any of the following occurrences, including but not limited to, (1) other than normal and proper use and normal service conditions with respect to the Product, (2) improper voltage, (3) inadequate wiring, (4) abuse, (5) accident, (6) alteration, (7) misuse, (8) neglect, (9) unauthorized repair or the failure to utilize suitably qualified and trained persons to perform service and/or repair of the Product, (10) improper cleaning, (11) failure to follow installation, operating, cleaning or maintenance instructions, (12) use of "non-authorized" parts (i.e., parts that are not 100% compatible with the Product) which use voids the entire warranty, (13) Product parts in contact with water or the product dispensed which are adversely impacted by changes in liquid scale or chemical composition.

Correct Disposal of this Product



RECYCLE

This marking indicates that this product should not be disposed with other household wastes throughout the EU. To prevent possible harm to the environment or human health from uncontrolled waste disposal, recycle it responsibly to promote the sustainable reuse of material resources. To return your used device, please use the return and collection systems or contact the retailer where the product was purchased. They can take this product for environmental safe recycling.

Trademarks and Copyrights

This document contains proprietary information and it may not be reproduced in any way without permission from Cornelius. This document contains the original instructions for the unit described.

CORNELIUS INC
101 Regency Drive
Glendale Heights, IL
Tel: + 1 800-238-3600

Printed in U.S.

Contact Information

To inquire about current revisions of any documentation or assistance with any Cornelius product, contact:

www.cornelius.com
800-238-3600

REFRIGERANT AND ICEMAKER ASSEMBLY MODEL

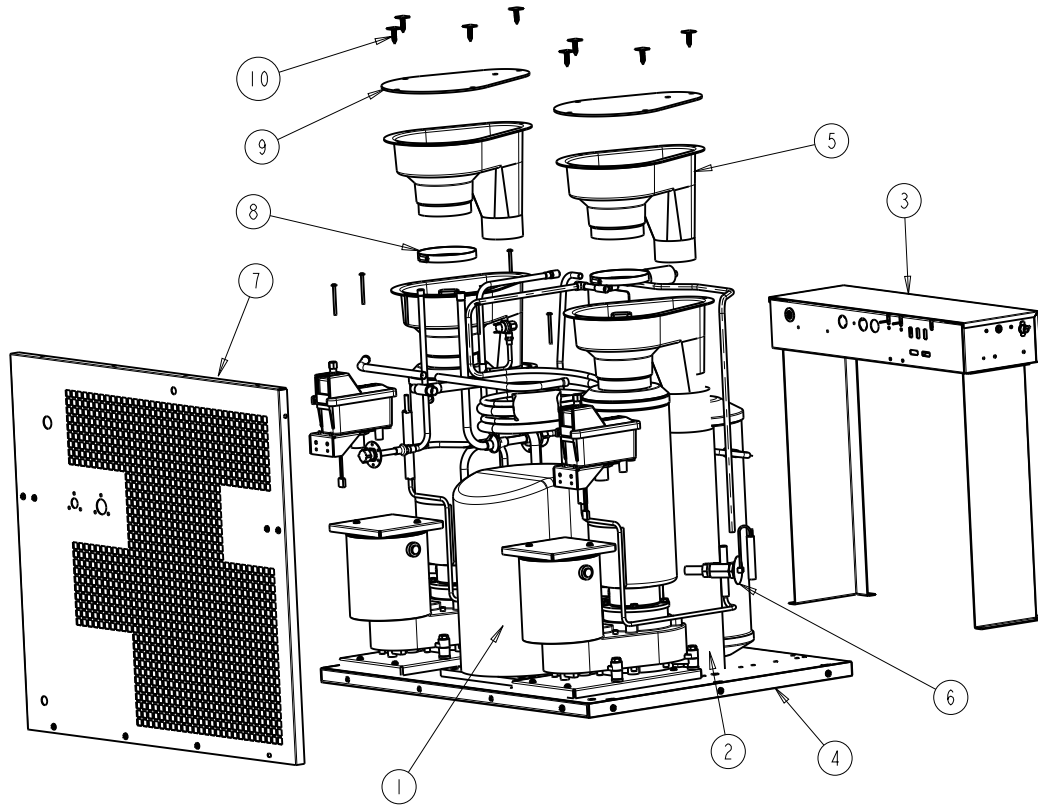


Figure 1

Item No	Part No.	Name
1	620070057	COMP COPELAND R404A CS20K6E-PF
2	638036020-001	TUBE- DROP EMOSS-1000 A&W
3	638092537	COVER ELEC BOX WCF2200
4	620068350	BASE PLATE ASY WCF 2200
5	638036872-001	DISP TRAY ASY FOAM MCC1000
6	620068258	VALVE THERMAL EXPANSION R40 4A WCC/WCF2000
7	630200666	PANEL BACK WCF2201 REMOTE
8	638036087	CLAMP DISP TRAY FLAKR / CHU
9	630900948	COVER DISPENSE TRAY 3.5 WELL
10	638036867-001	CLIP CHRISTMAS TREES
*	630900954	THERMOSTAT WELL 3.5

Item No	Part No.	Name
*	166226000	VALVE HEAD PRESS OROA "I" RMT
*	166225000	RECEIVER I SERIES
*	638092521	PANEL FRNT WCF2200
*	638036005-01	PANEL SIDE LH SS
*	638036006-01	PANEL SIDE RH SS
*	638092522	PANEL UPPER WCF2200
	638036849	COND AIR COOLED
*	27177	COND-COIL WTR 10.25DIA 1400W
	631700700	COND-REMOT CR1200 230/60 404
*	638090344-001	FAN MOTOR (WCC & WCF AIR 50 & 60 HZ)
	620067891	MOTOR- FAN EBM 350MM
*	638090344-01	MOTOR-ASY FAN 75W 240/60 WC1000/2000
	630900246	FAN 18"D 3BLD CW 50ID HUB
*	638004391	BRKT FAN MTG

NOTE: * = Not Shown

FRONT END ASSEMBLY MODEL 2000 SERIES

Item No.	Part No.	Name
1	638090000-001B	MOTOR- GEAR BISON 230/50/60 8 RPM
2	638090315	SHAFT SEAL MOUNT
3	638090051	SHAFT SEAL
4	638007301-030	WASHER, LOWER
5	638090053	E-RING
6	638090316	SHAFT SEAL SEAT
7	168833000	WASHER LOCK 1/4 SPLIT
8	161179001	SCREW, 1/4-20 X 3/4 LG. HHMS
9	638090335	EVAPORATOR ASSEMBLY
10	638090313	AUGER
11	638090317	EXTRUDING HEAD WCC
	638090318	EXTRUDING HEAD WCF
12	620068253	EXPANSION VALVE
13	638090349	BRACKET, MOUNTING
14	638090311	AUGER NUT
15	638090319	BEARING NYLON
16	638090320	BEARING DELRIN

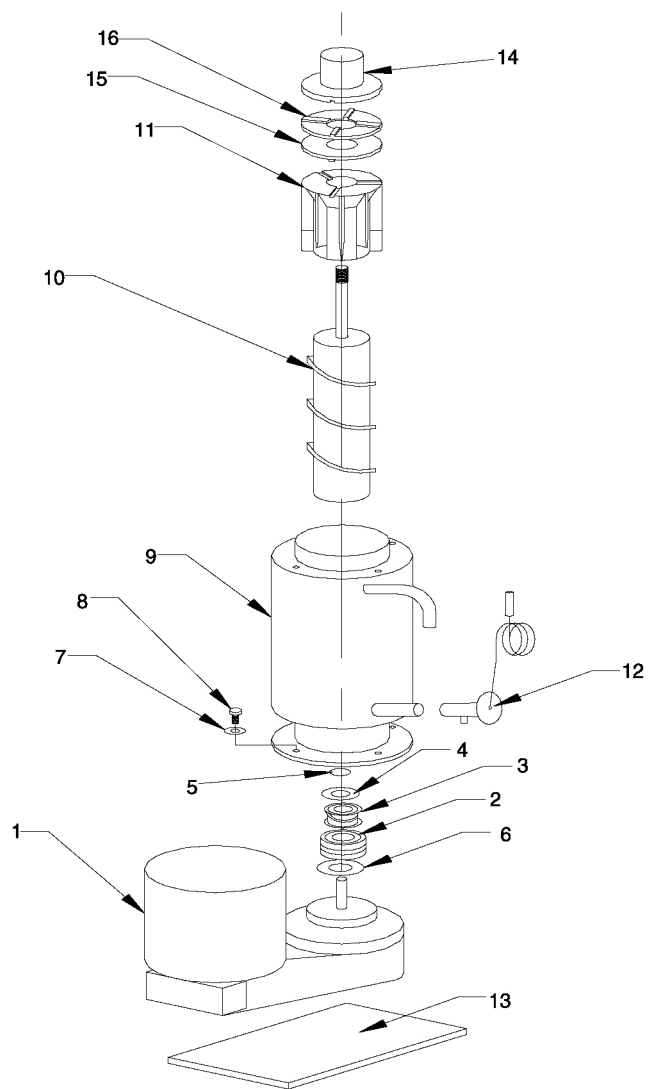


Figure 2

ELECTRICAL ASSEMBLY MODEL 2000 SERIES

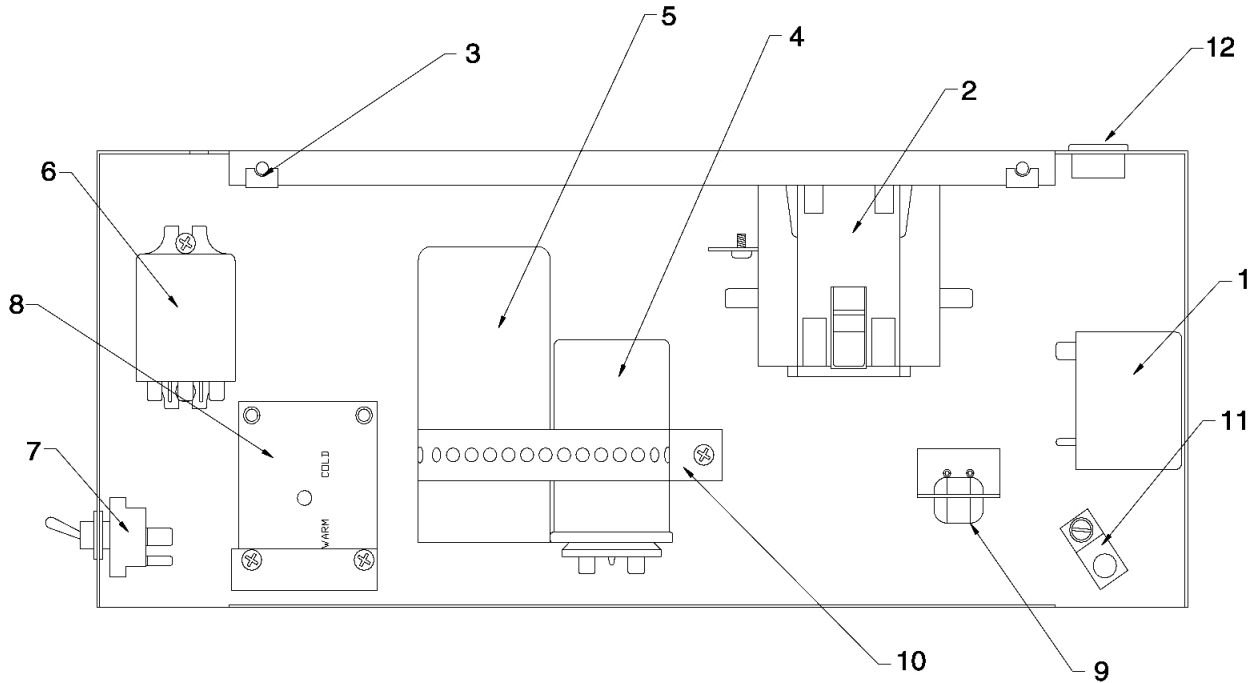


Figure 3

Item No	Part No	Name
1	620056394	POTENTIAL RELAY, 208/230V 60 HZ WCC1001A & WCF1101A
	40285	START RELAY, 208/230 60 HZ WCC2001 & WCF2201
2	638090054	RELAY, 208V
3	638007262-01	NUT, TINNER MAN
4	620056592	CAPACITOR RUN, 208/230 V 60 HZ WCC1001A & WCF1101A
	161192005	CAPACITOR RUN, 208/230 V 60 HZ WCC2001 & WCF2201

Item No	Part No	NAME
5	620056395	CAPACITOR START, 208/230 V 60 HZ WCC1001A & WCF1101A
	41044	CAPACITOR START, 208/230 V 60 HZ WCC2001 & WCF2201
6	638010002	RELAY, ANTI FREEZE 220V
7	638004791	SWITCH TOGGLE
8	630900947	SWITCH BIN CONTROL
9	638007341-03	STRAIN RELIEF
10	630200166	CAPACITOR MOUNTING STRAP
11	638007921	GROUND CONNECTOR
12	163529000	BUSHING

CR1200 REMOTE CONDENSER

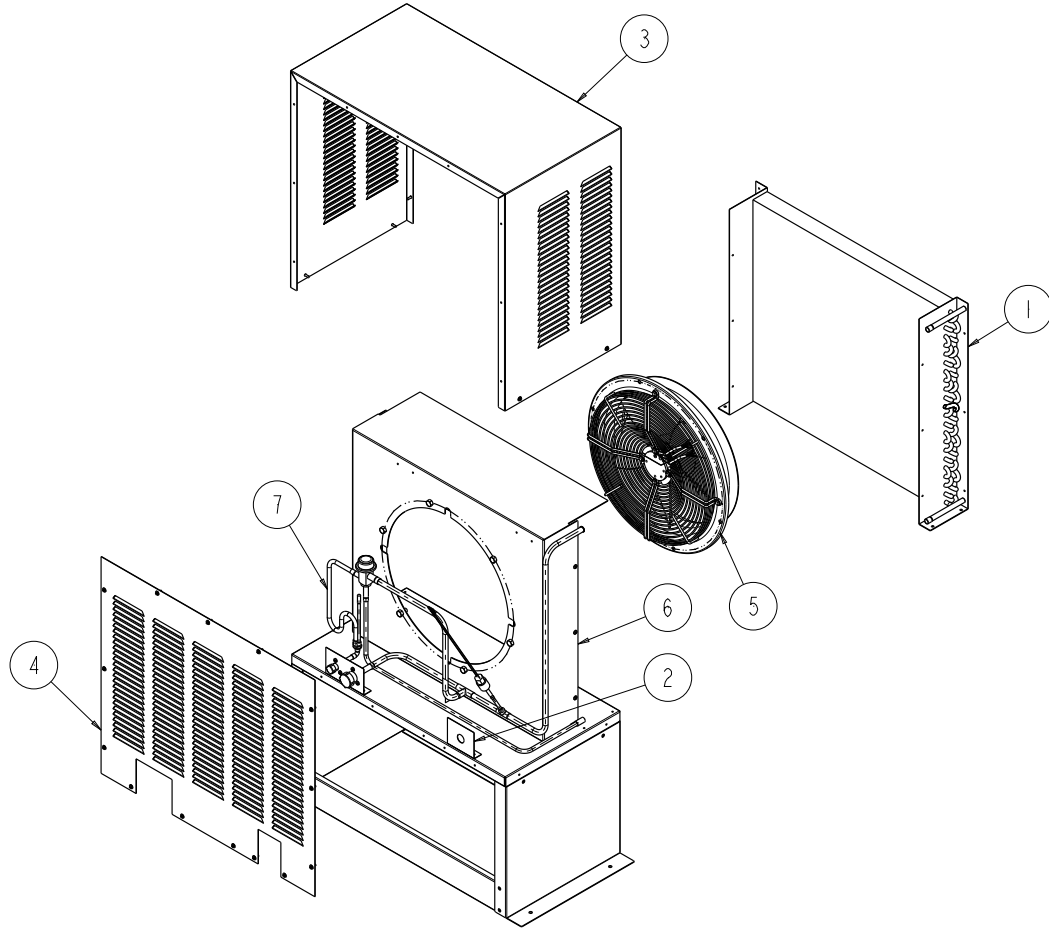


Figure 4

Item No.	Part No.	Name
1	161870007	COND-COIL AIR 23.5 X 28.0 CR120X
2	161887003	BRKT ELE SVC ENT RMT CDR
3	164517002	WRAP RMT COND
4	164517003	PANEL RMT CDR
5	630900246	FAN 18"D 3BLD CW.50ID HUB
	27185	MOTOR FAN 230/5/6
	620067891	FAN MOTOR ASSEMBLY EBM 350MM (FOR SERIAL NUMBER STARTING FROM 6201842BG)
6	620068025	SHROUD COND RMT WCC 2000R
7	620068026	LINE ASY CR1200
*	161004000	STRAIN RELIEF BLK NYLON
*	164546001	BASE W/A CHASSIS
*	164921008	BRACE LEG RMT COND
*	166209001	LEG RMT COND

NOTE:* = Not Shown

LINE ASSY CR1200

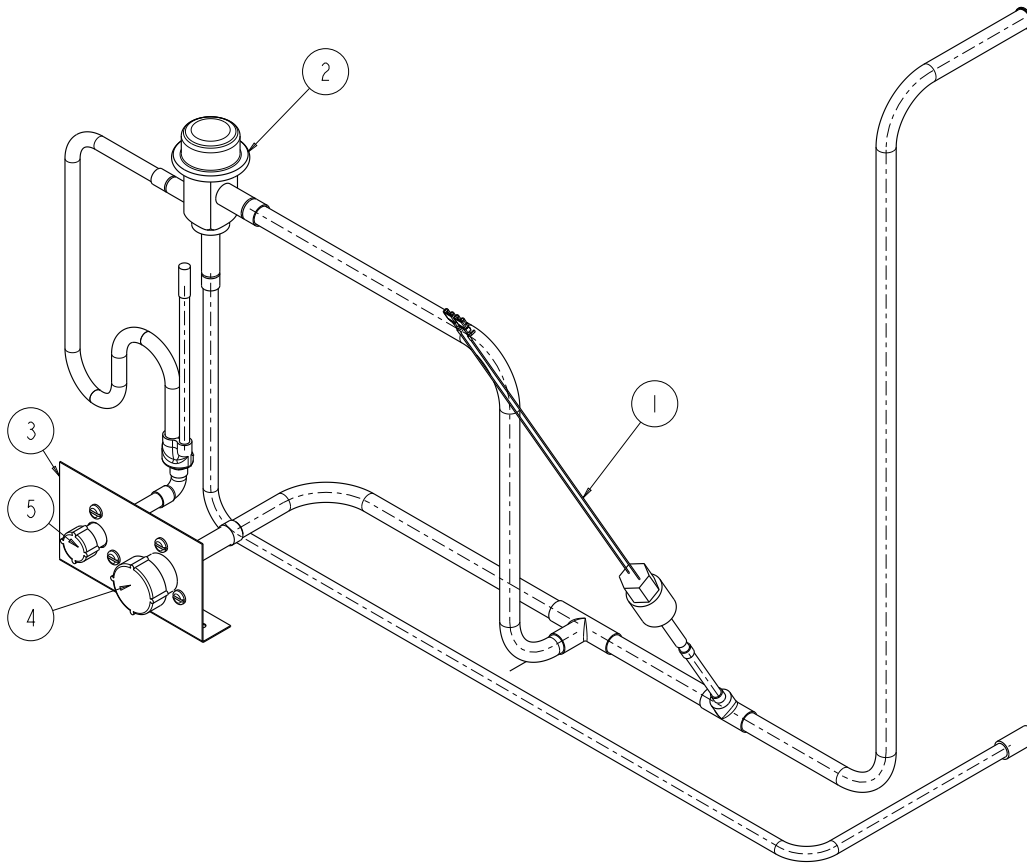


Figure 5

Item No.	Part No.	Name
1	161773006	SWITCH PRESSURE
2	166226000	VALVE HEAD PRESS OROA "I" RMT
3	630000050	BRKT & CNN ASY CR
4	630900082	VALVE AEROQUIP 1/2
5	166229000	VALVE AEROQUIP 3/8

CR1200 ELECTRICAL DIAGRAM

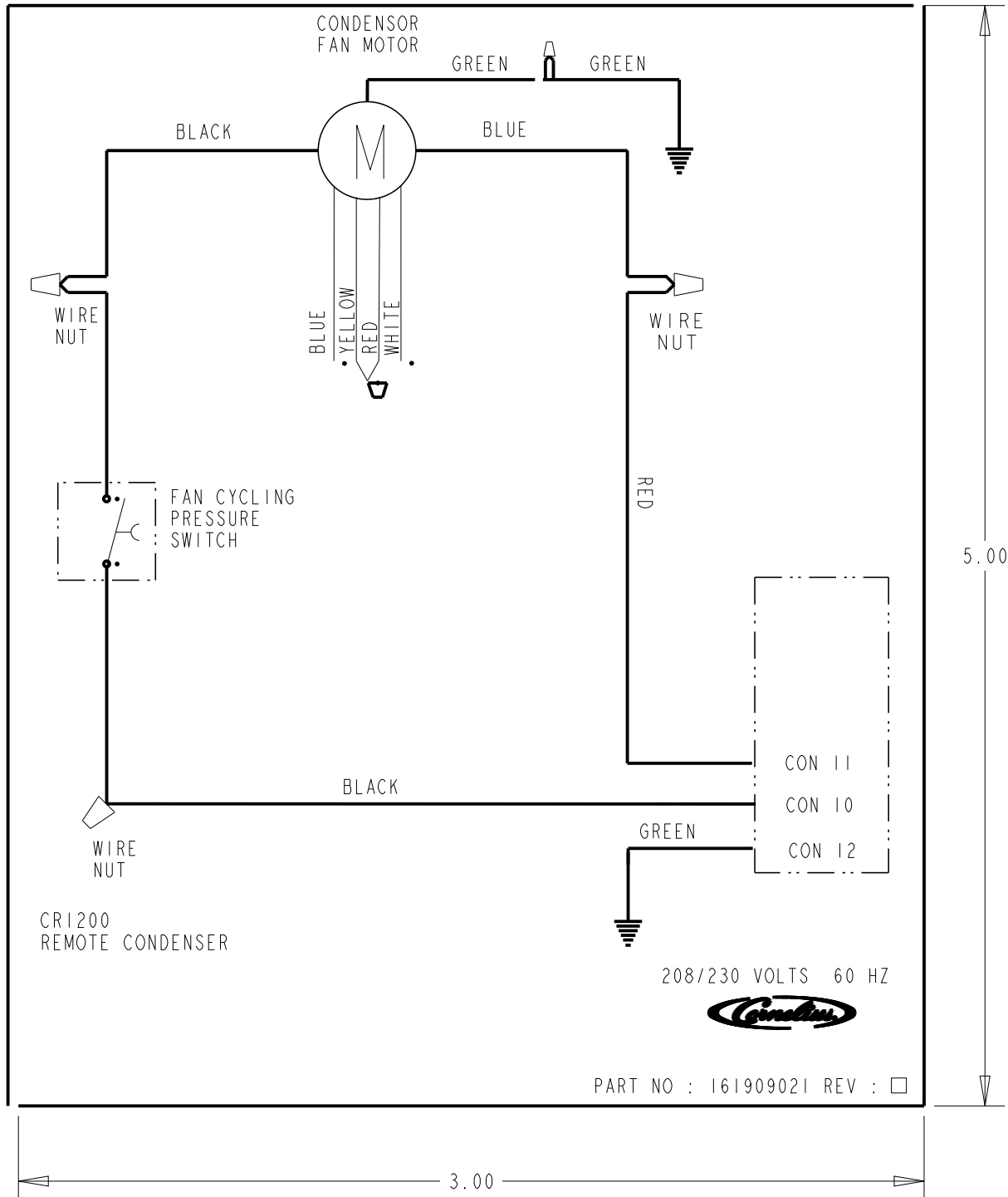


Figure 6

Cornelius Inc.
www.cornelius.com